



US00D413810S

United States Patent [19] Leichty

[11] Patent Number: Des. 413,810

[45] Date of Patent: ** Sep. 14, 1999

[54] NOVELTY ALARM CLOCK

Primary Examiner—Nelson C. Holtje

[76] Inventor: Travis J Leichty, 37 Reed Ave.,
Versailles, Ohio 45380

[57] CLAIM

[**] Term: 14 Years

The ornamental design for a novelty alarm clock, as shown and described.

[21] Appl. No.: 29/095,421

DESCRIPTION

[22] Filed: Oct. 22, 1998

[51] LOC (6) Cl. 10-01

[52] U.S. Cl. D10/12; D10/15

[58] Field of Search D10/1, 15, 12;
D21/136-7; 368/10, 285

FIG. 1 is a left side elevational view of the novelty alarm clock of the present invention;

FIG. 2 is a right side elevational view of the novelty alarm clock of FIG. 1;

[56] References Cited

U.S. PATENT DOCUMENTS

- D. 294,376 2/1988 Kamikawa D21/136
- D. 373,314 9/1996 Staszak D10/8
- D. 380,689 7/1997 Hsu D10/12
- D. 390,433 2/1998 Miuer D21/136 X
- D. 402,997 12/1998 Campbell D2/136 X

FIG. 3 is a back elevational view of the novelty alarm clock of FIG. 1;

FIG. 4 is a front elevational view of the novelty alarm clock of FIG. 1;

FOREIGN PATENT DOCUMENTS

- 9405006 6/1994 Germany D10/12 X
- 2218543 11/1989 United Kingdom D10/12 X

FIG. 5 is a top plan view of the novelty alarm clock of FIG. 1; and,

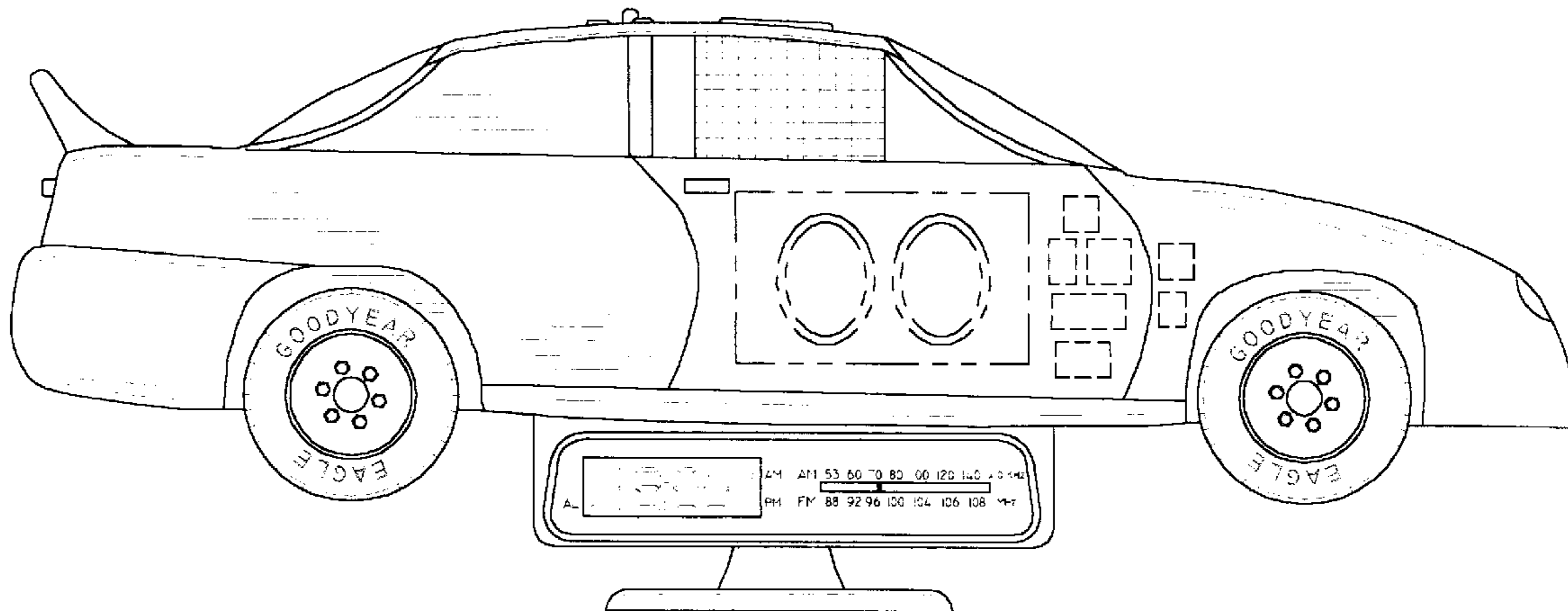
FIG. 6 is a bottom plan view of the novelty alarm clock of FIG. 1.

OTHER PUBLICATIONS

Hong Kong Enterprise—Jun. 1992—p. 93—Car Clock.
Jeweler's Circular Keystone. Mar. 5, 1974—p. 22—Dig.
Clock, 2nd From top.

The broken lines depicting numbers and sponsor decals in FIGS. 1, 2 and 5 are for illustrative purposes only and form no part of the claimed design.

1 Claim, 3 Drawing Sheets



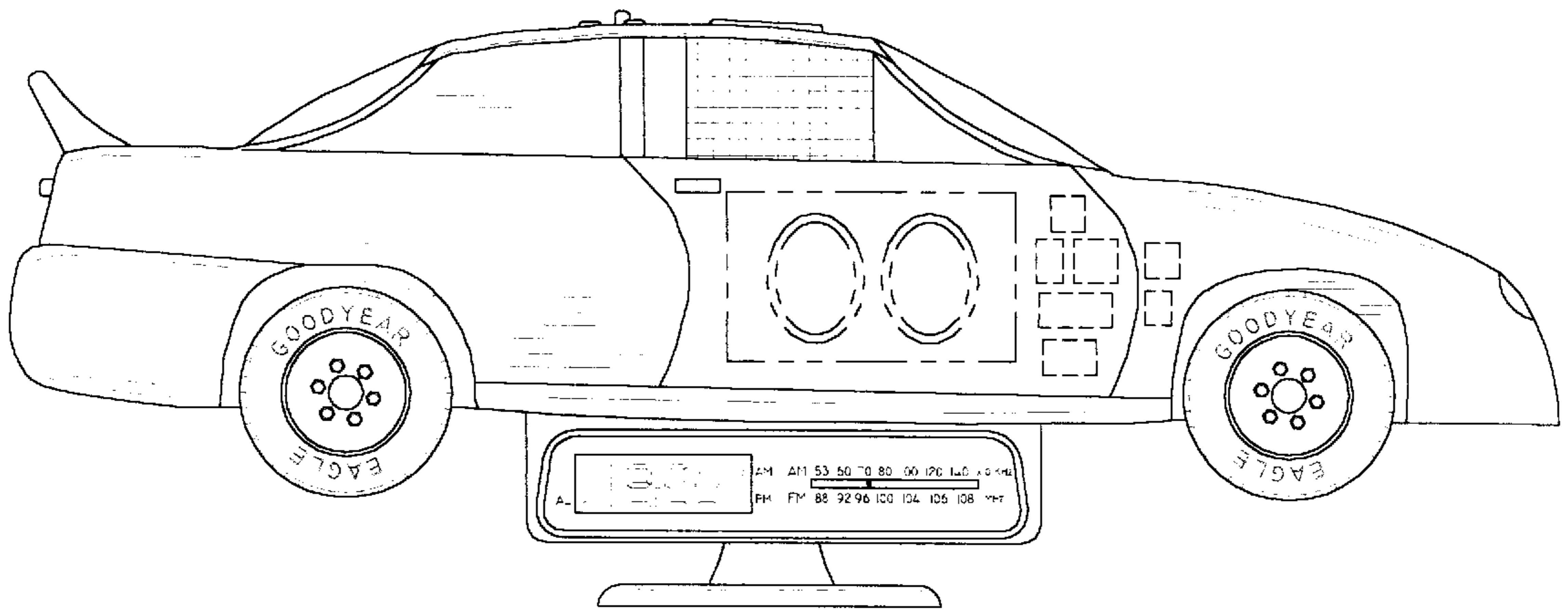


Fig. 1

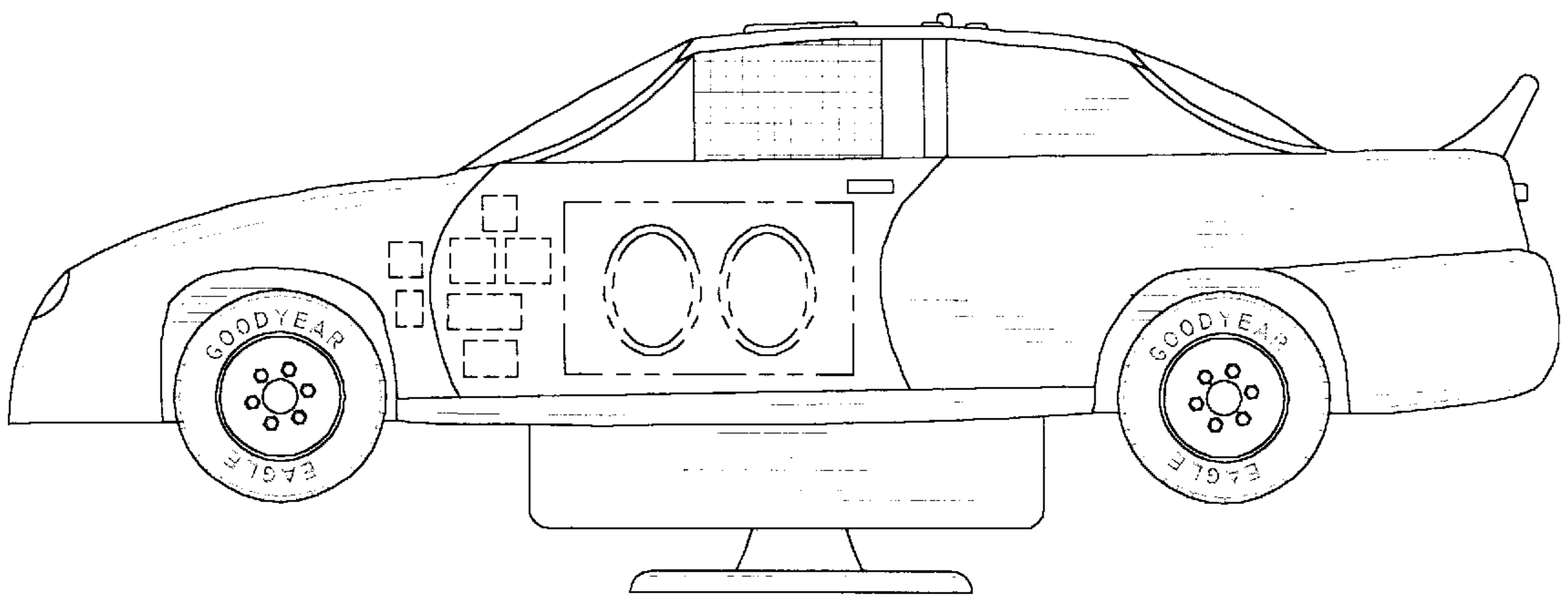


Fig. 2

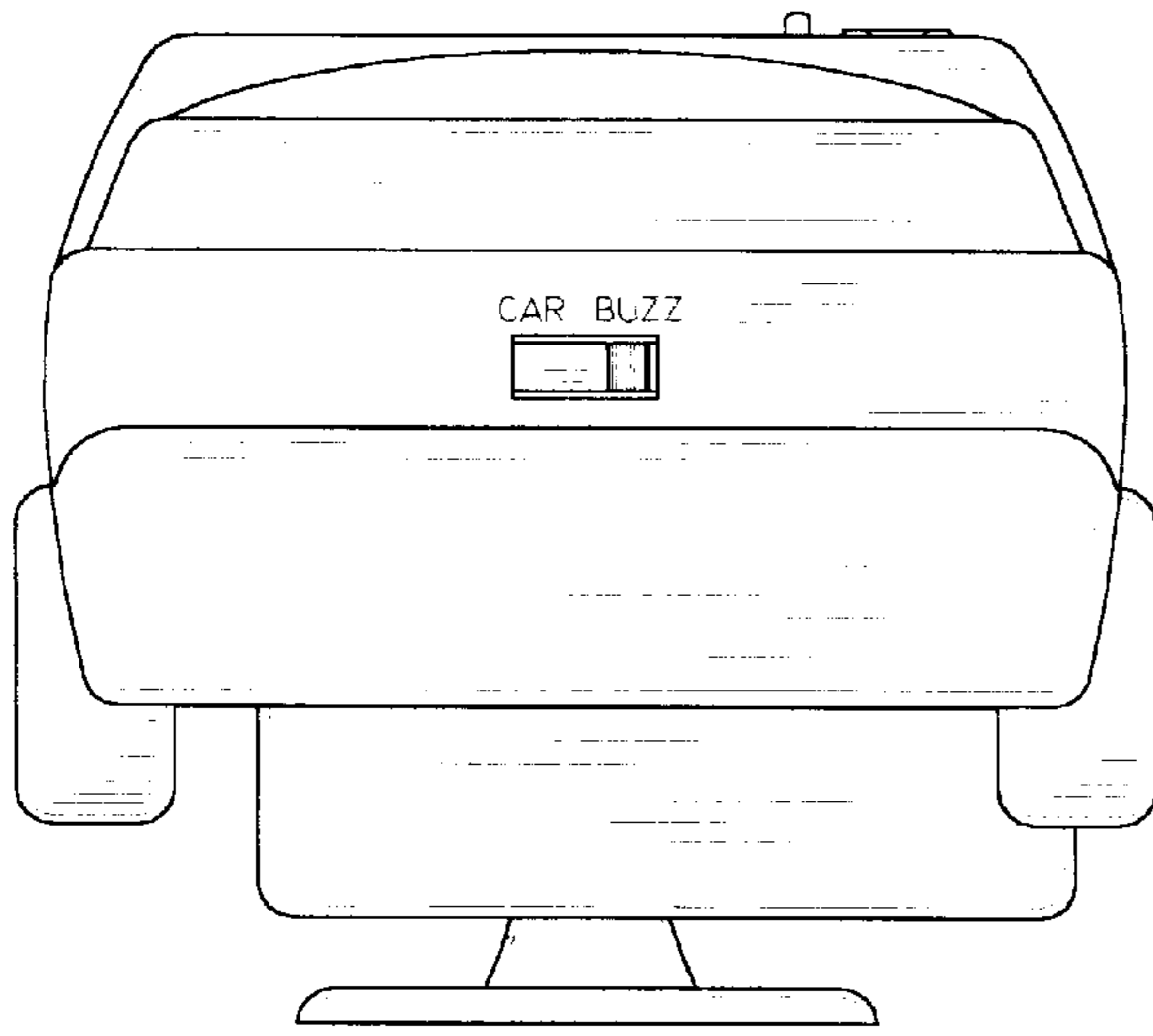


Fig. 3

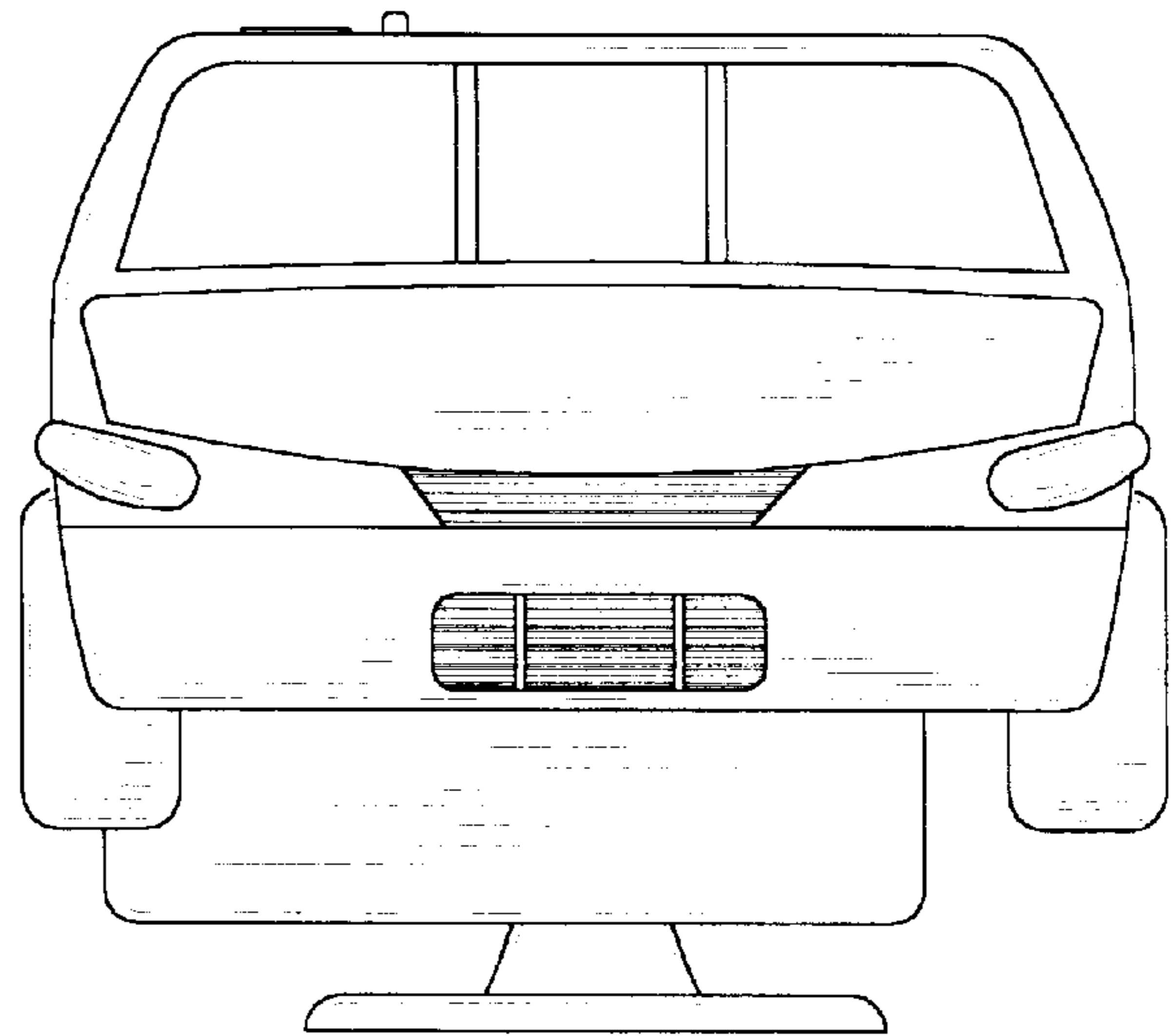


Fig. 4

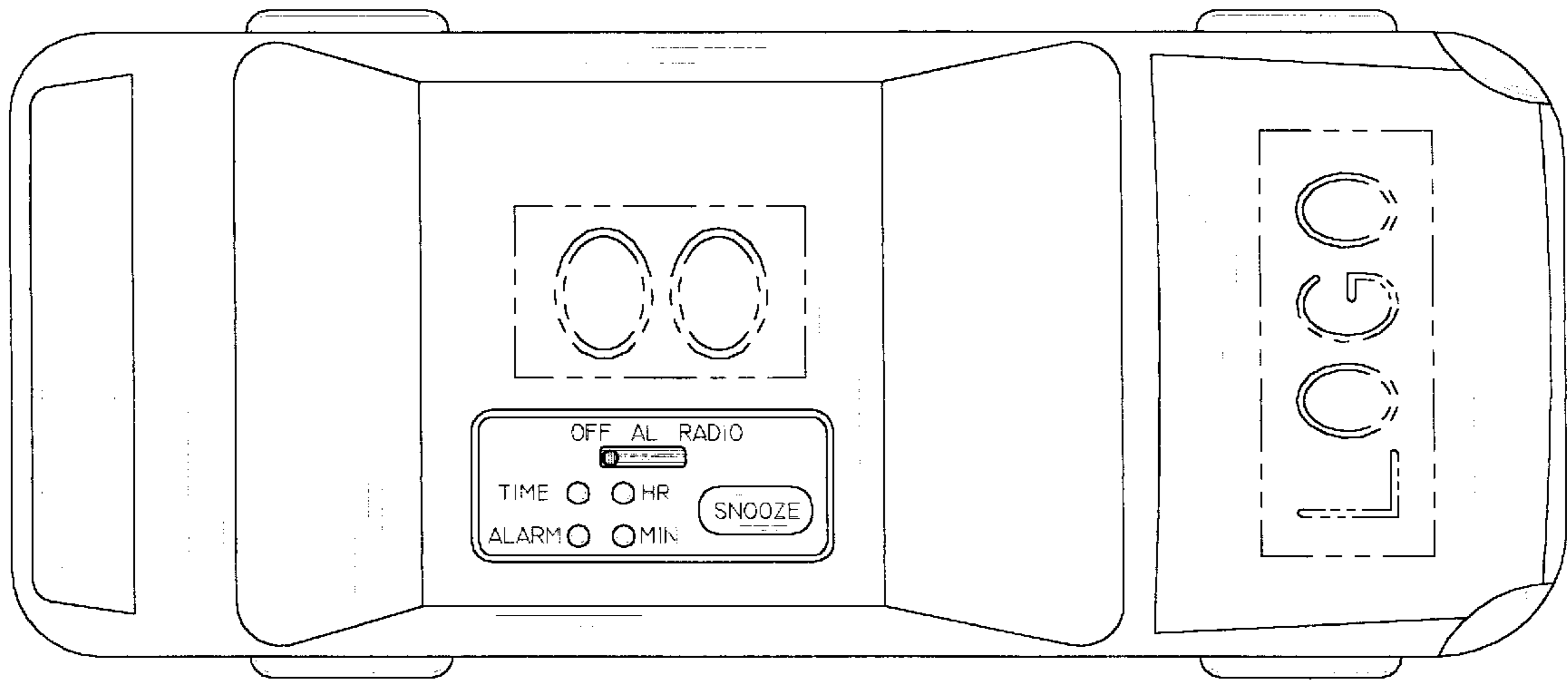


Fig. 5

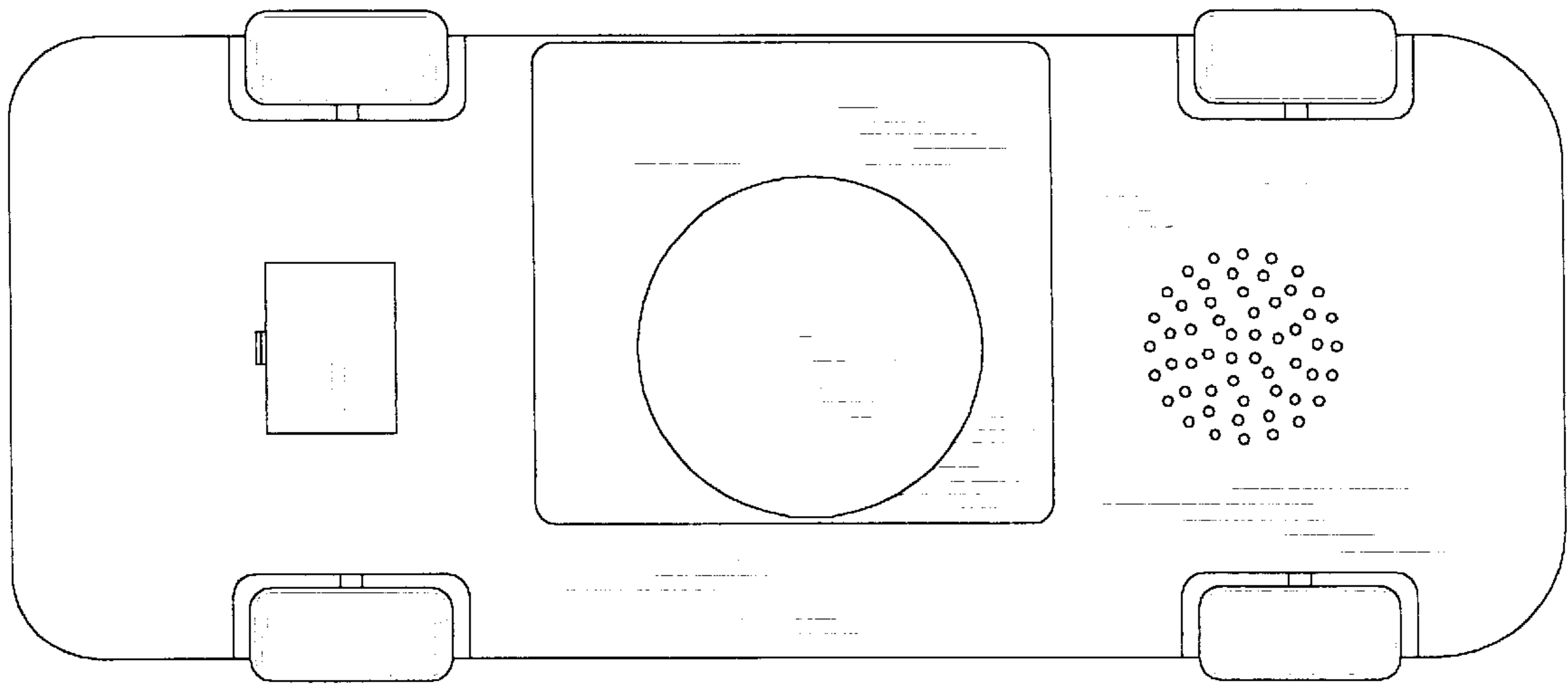


Fig. 6