



US00D413809S

United States Patent [19]
Maloney

[11] **Patent Number: Des. 413,809**

[45] **Date of Patent: ** Sep. 14, 1999**

[54] **CLOCK**

[76] Inventor: **Joseph R. Maloney**, 21A Englewood Ave., E. Greenbush, N.Y. 12061

[**] Term: **14 Years**

[21] Appl. No.: **29/082,777**

[22] Filed: **Jan. 30, 1998**

[51] **LOC (6) Cl.** **10-01**

[52] **U.S. Cl.** **D10/6; D10/1; D10/132; D10/126**

[58] **Field of Search** **D10/1-40, 122-132; 368/276-277, 285, 316-317, 179-180**

[56] **References Cited**

U.S. PATENT DOCUMENTS

- D. 162,976 4/1951 Nelson .
- D. 212,815 11/1968 Summers .
- D. 213,843 4/1969 Summers .
- D. 362,627 9/1995 Liu D10/22
- 2,395,643 2/1946 Ramsay .

Primary Examiner—Nelson C. Holtje
Attorney, Agent, or Firm—David L. Volk

[57] **CLAIM**

The ornamental design for a clock, as shown and described.

DESCRIPTION

FIG. 1 is a perspective view of a clock showing my new design;

FIG. 2 is a right side elevational view thereof, the opposite side being a mirror image;

FIG. 3 is a front elevational view thereof;

FIG. 4 is a rear elevational view thereof;

FIG. 5 is a top plan view thereof;

FIG. 6 is a bottom plan view thereof;

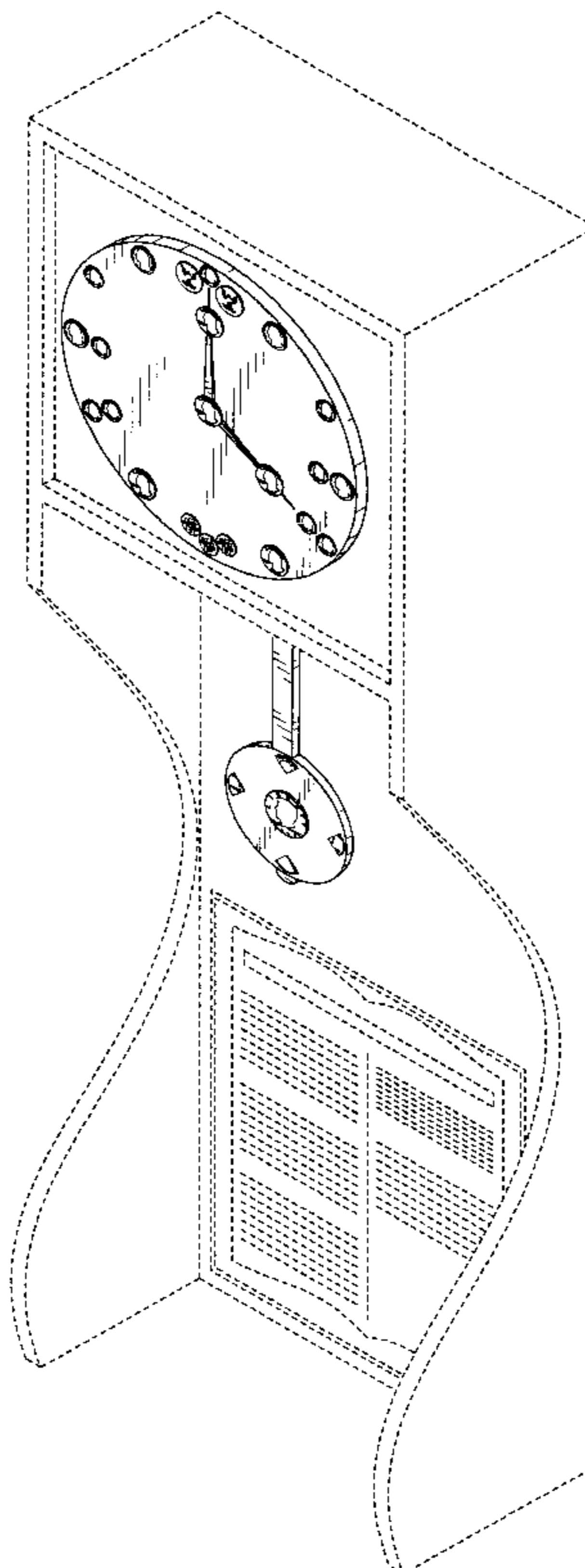
FIG. 7 is an enlarged front elevational view of the clock face; and,

FIG. 8 is an enlarged view of the round portion of the pendulum.

The broken line illustration forms no part of the claimed invention. Undisclosed surfaces are plain and unornamented.

The details of the coins are not shown for ease of illustration. Two quarters and a dime are used at the 12 o'clock position. A nickel is used at the one o'clock position and at the 11 o'clock position. A dime is used at the 2 o'clock position and at the 10 o'clock position. A dime and a nickel are used at the 3 o'clock position and at the 9 o'clock position. Two dimes are used at the 4 o'clock position and at the 8 o'clock position. A quarter is used at the 5 o'clock position and at the 7 o'clock position. Three dimes are used at the 6 o'clock position. Quarters are used on the hands. A half dollar and penny pieces are used on the round portion of the pendulum. All of the coins are 1991 issue, except the half dollar, which is 1979 issue.

1 Claim, 5 Drawing Sheets



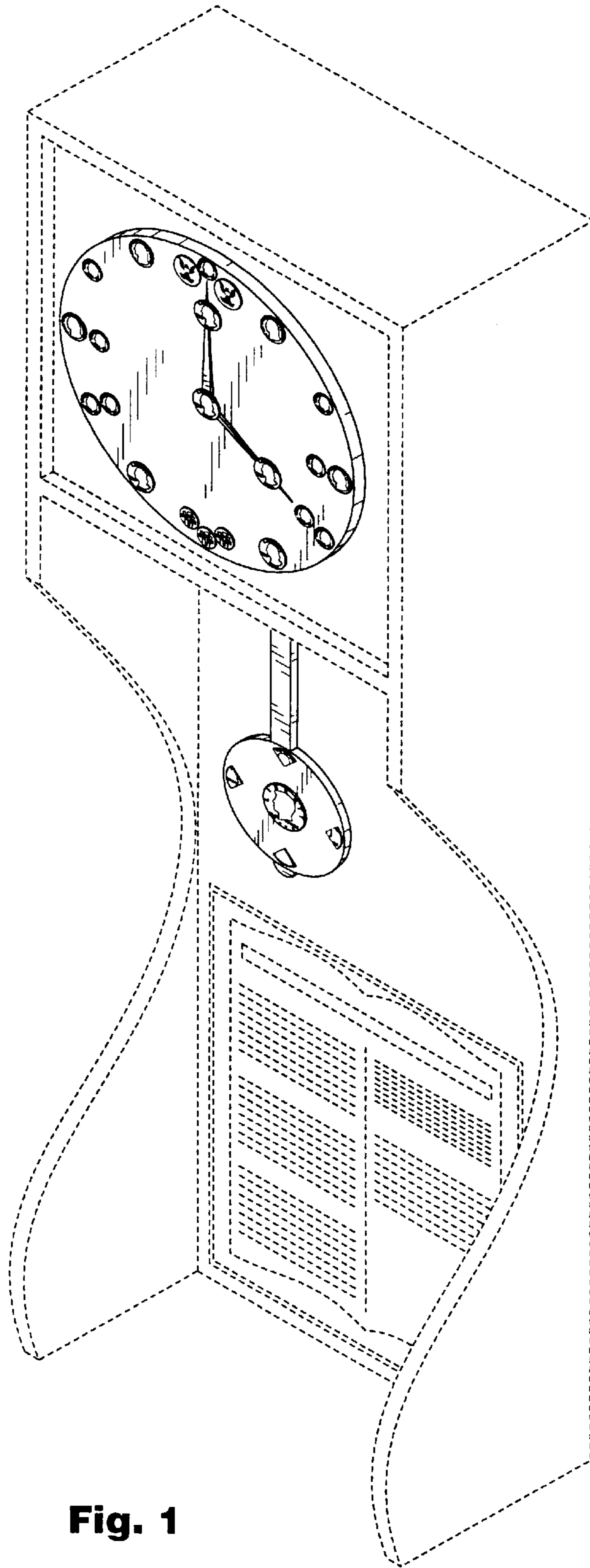


Fig. 1

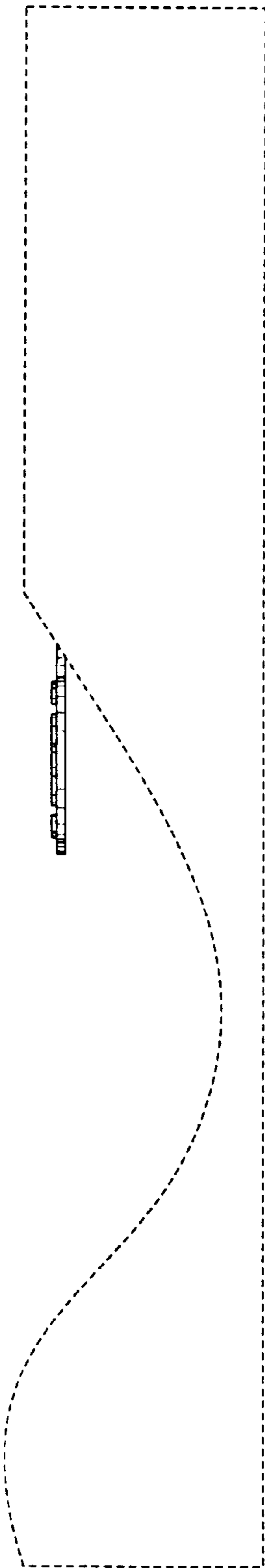


Fig. 2

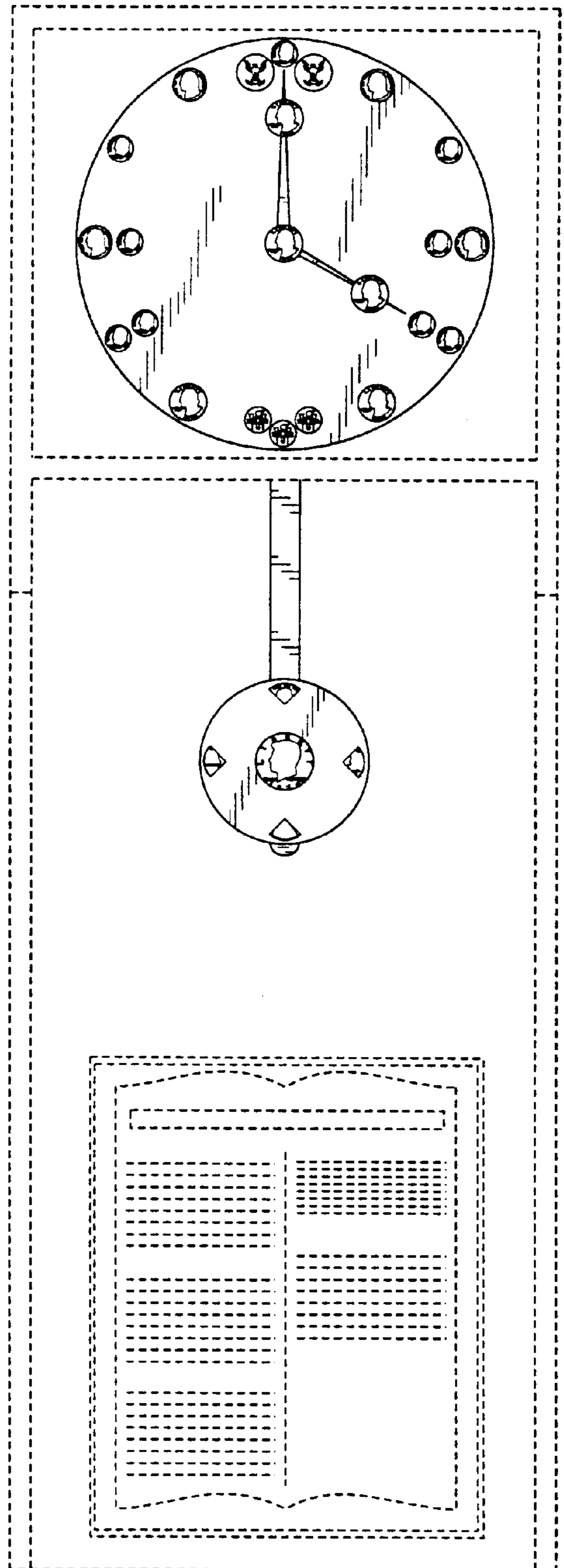


Fig. 3

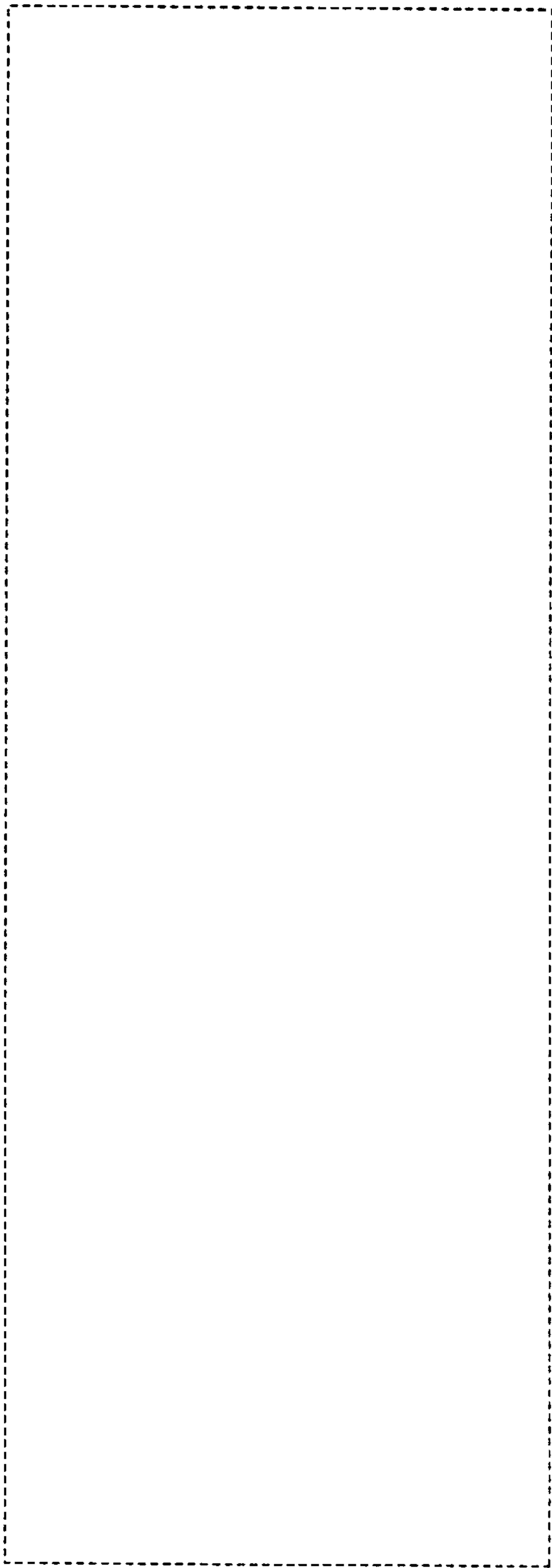


Fig. 4



Fig. 5

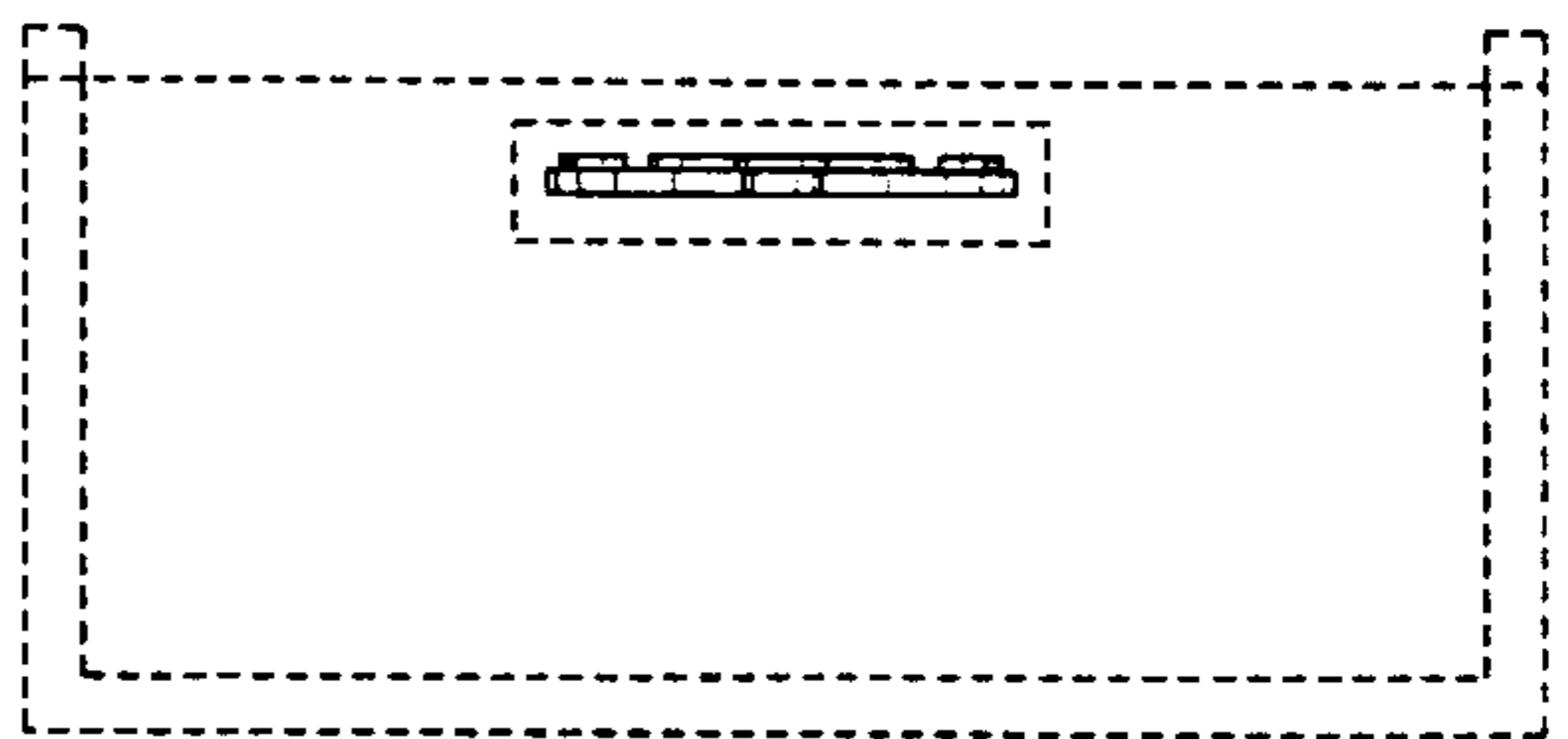


Fig. 6

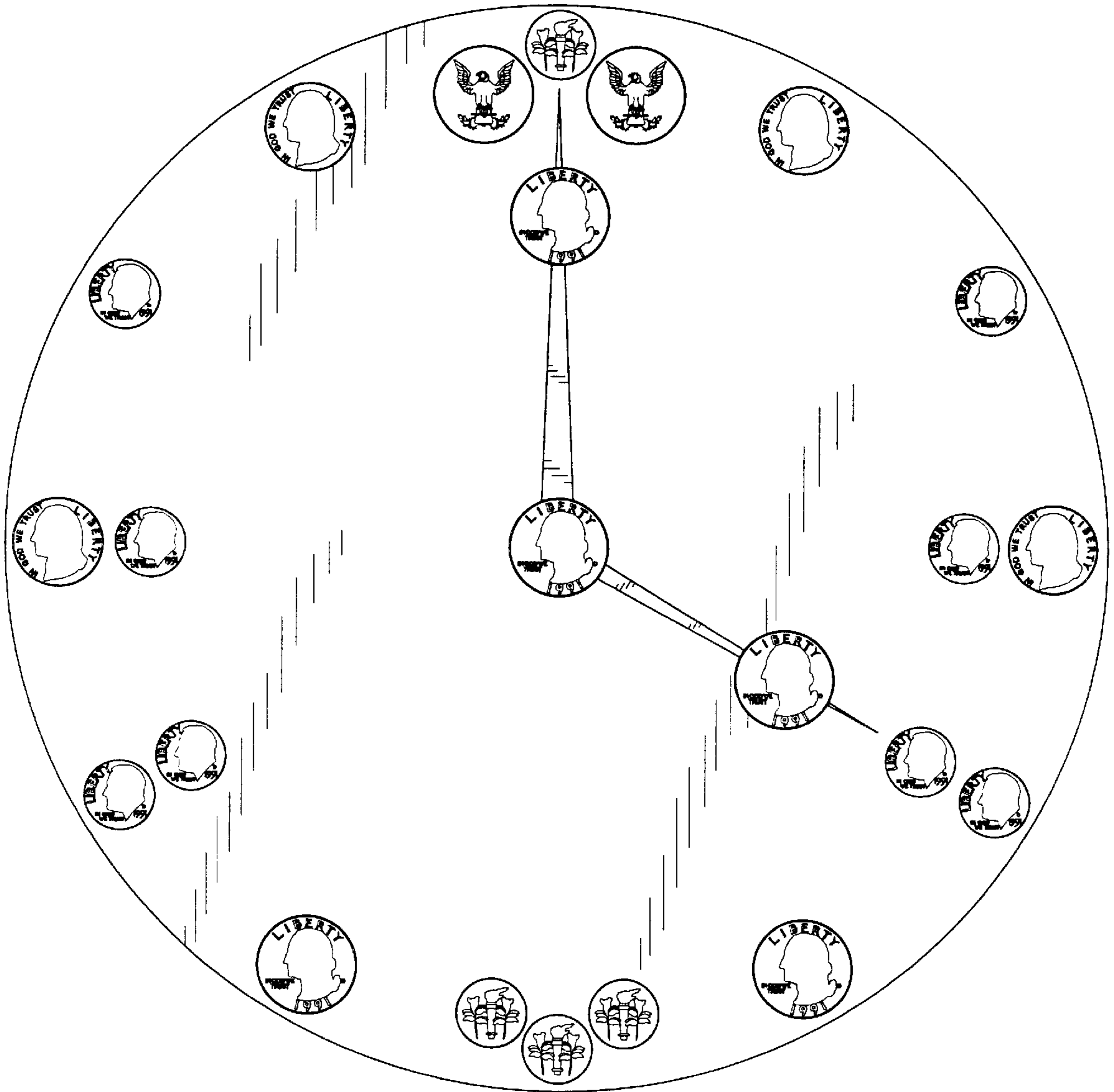


Fig. 7

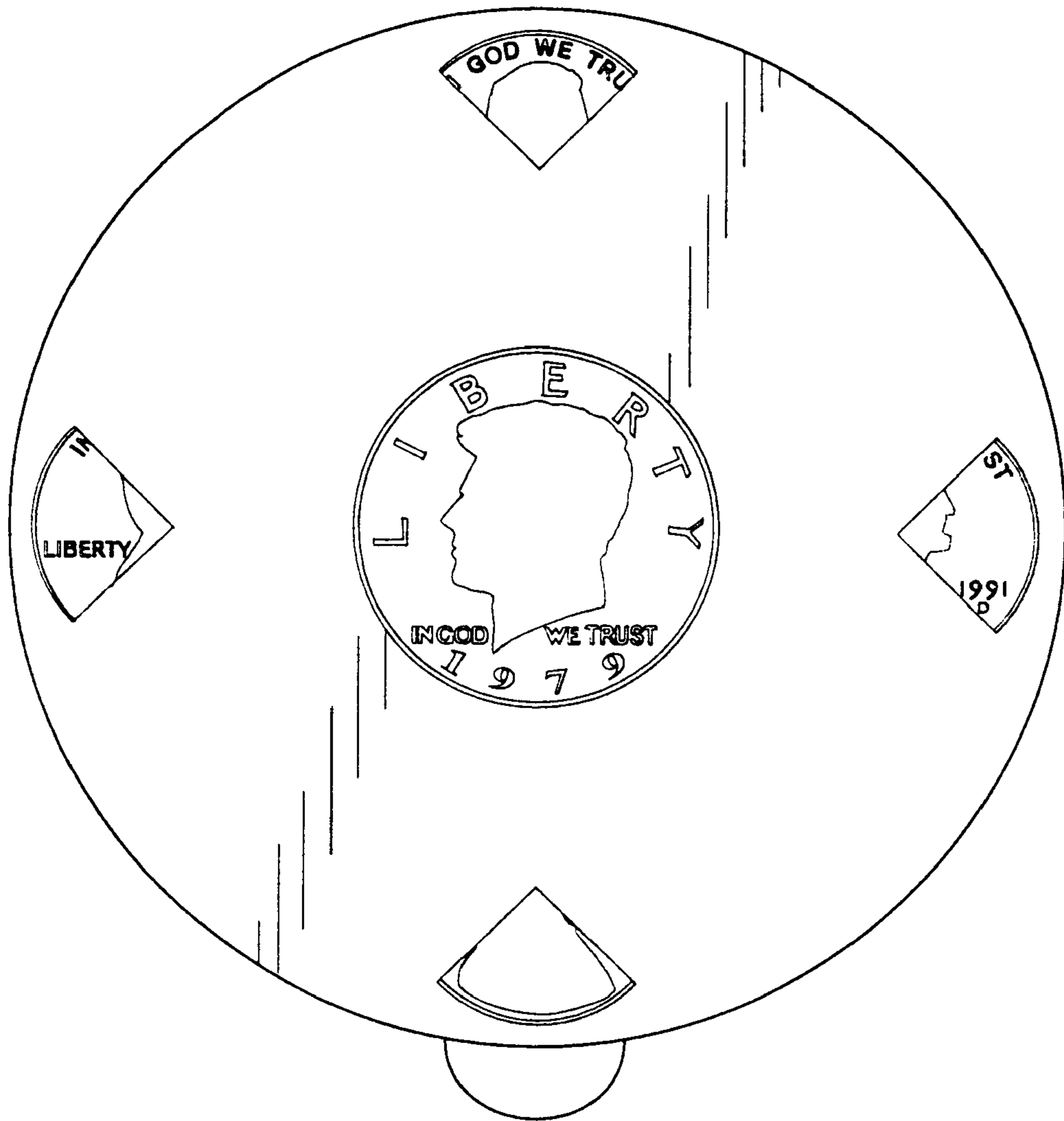


Fig. 8