



US00D413808S

United States Patent [19]

[11] Patent Number: **Des. 413,808**

Bolliger et al.

[45] Date of Patent: **** Sep. 14, 1999**

[54] **BOTTLE**

[75] Inventors: **James D. Bolliger**, Crown Point, Ind.; **William W. Campbell**, Benecia; **Leslie E. Finn**, Pleasanton, both of Calif.; **M. A. Lateef Khan**, Warrenville, Ill.; **Barry G. Levenson**, Piedmont; **Frederick G. Doolittle**, Danville, both of Calif.

[73] Assignee: **The Clorox Company**, Oakland, Calif.

[**] Term: **14 Years**

[21] Appl. No.: **29/093,212**

[22] Filed: **Sep. 3, 1998**

Related U.S. Application Data

[62] Division of application No. 29/068,257, Mar. 21, 1997, Pat. No. Des. 401,504.

[51] **LOC (6) Cl.** **09-01**

[52] **U.S. Cl.** **D9/543; D9/523**

[58] **Field of Search** D9/523, 300, 543, D9/526, 569; 215/382-384; 222/383.1, 383.3, 385, 382; 239/333

[56] References Cited

U.S. PATENT DOCUMENTS

D. 213,170	1/1969	Muller et al.	D9/3
D. 213,172	1/1969	Muller	D9/127
D. 244,991	7/1977	Weckman et al.	D9/63
D. 247,302	2/1978	Federico et al.	D23/18
D. 253,630	12/1979	McCredie	D9/60
D. 254,709	4/1980	McCredie	D9/523
D. 259,467	6/1981	Halbeisen et al.	D9/300
D. 275,078	8/1984	Wassergord et al.	D9/300
D. 287,227	12/1986	Turnbull	D9/36
D. 305,612	1/1990	Haworth	D9/300
D. 310,957	10/1990	Halm et al.	D9/300
D. 319,972	9/1991	Segati et al.	D9/375
D. 321,315	11/1991	Halm et al.	D9/300

D. 328,442	8/1992	Fuchs et al.	D9/523
D. 328,712	8/1992	Butler et al.	D9/526
D. 329,802	9/1992	Foster et al.	D9/300
D. 331,195	11/1992	Weckman	D9/543
D. 332,392	1/1993	Foster et al.	D9/300
D. 333,609	3/1993	Beaumont	D9/300
D. 334,343	3/1993	Lelsie et al.	D9/523
D. 342,678	12/1993	Warner et al.	D9/543
D. 372,428	8/1996	Malmquist	D9/523
D. 380,681	7/1997	De Souza et al.	D9/523
D. 389,412	1/1998	Klima, Jr. et al.	D9/543
D. 402,204	12/1998	Jennings	D9/523
4,558,821	12/1985	Tada et al.	239/333
5,147,074	9/1992	Battegazzore	222/383
5,195,664	3/1993	Rhea	222/382

OTHER PUBLICATIONS

Aerosol Age, Nov. 1981, p. 31, "Simoniz" bottle.
Packaging, May 1987, p. 90, Spray bottles.
Washington Post, Sep. 1992, Coupon Section, "Carpet Science" bottle.
Undated Photograph Showing Four Household Cleaners. X-14 Free-Standing Insert (1994).
Photocopy of Packaging Magazine, May, 1987, p. 90.
Packaging, Nov. 1985, p. 82, Spray bottles.

Primary Examiner—Lucy Lieberman
Attorney, Agent, or Firm—Joel J. Hayashida

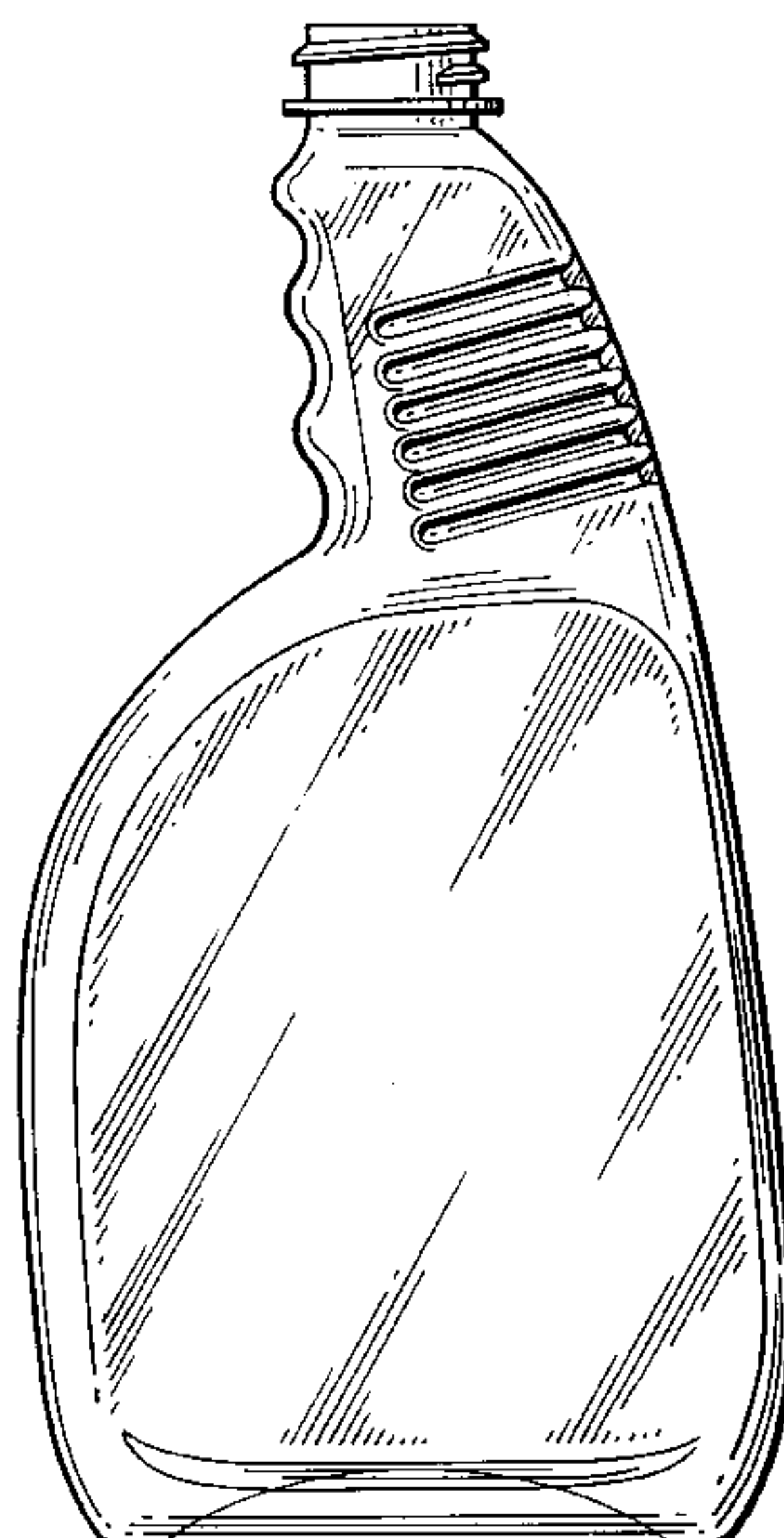
[57] CLAIM

The ornamental design for a bottle, as shown and described.

DESCRIPTION

FIG. 1 is a perspective view of a bottle embodying our new design;
FIG. 2 is a front elevational view thereof;
FIG. 3 is a side elevational view to the left of the view of FIG. 2;
FIG. 4 is a side elevational view opposite the view of FIG. 3;
FIG. 5 is a top plan view thereof; and,
FIG. 6 is a bottom view.

1 Claim, 4 Drawing Sheets



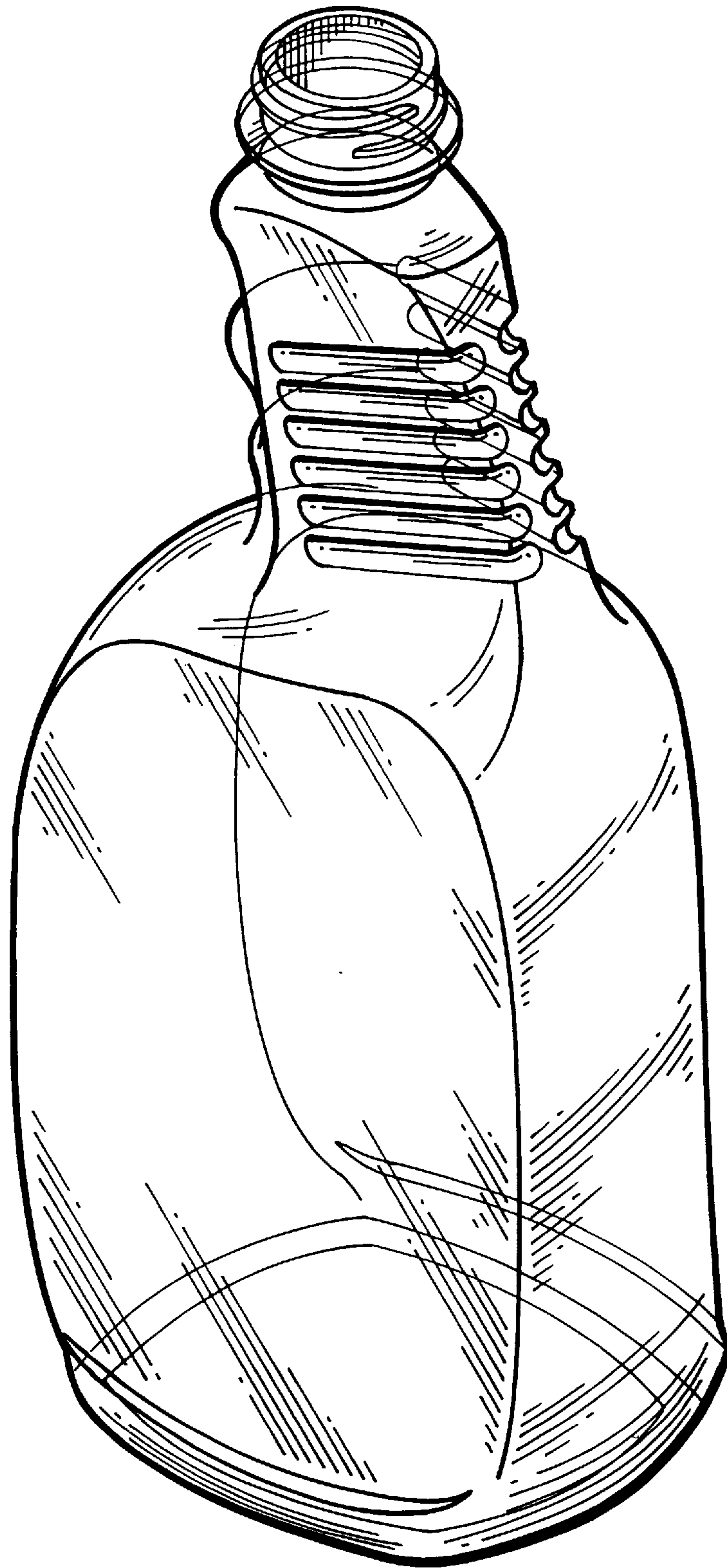


FIG. 1

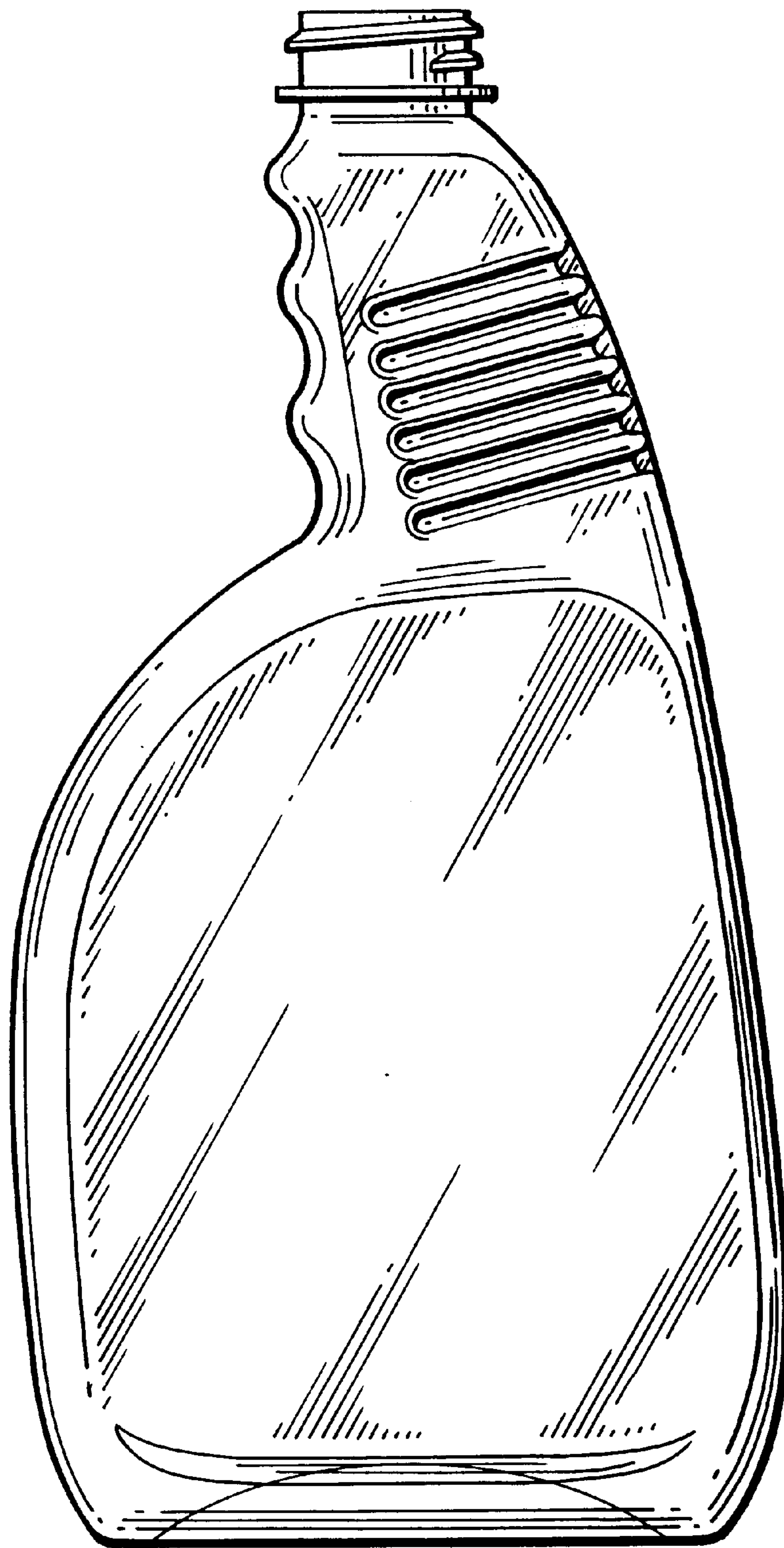


FIG. 2

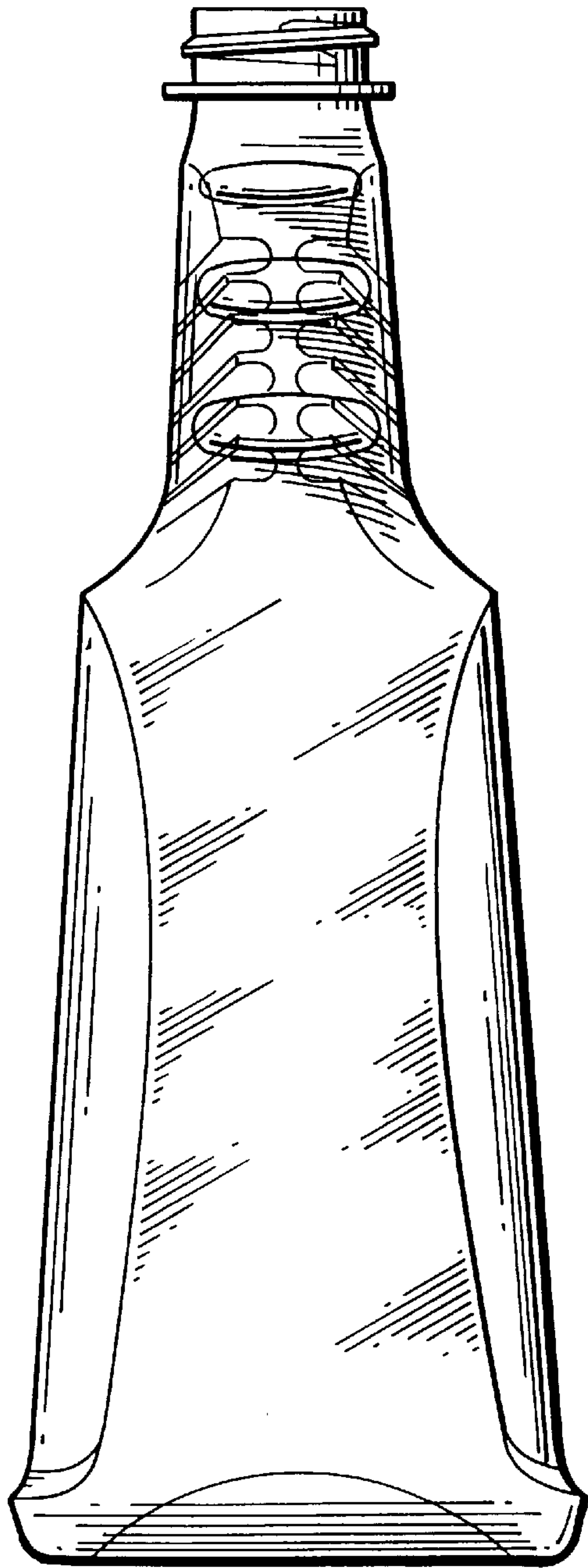


FIG. 3

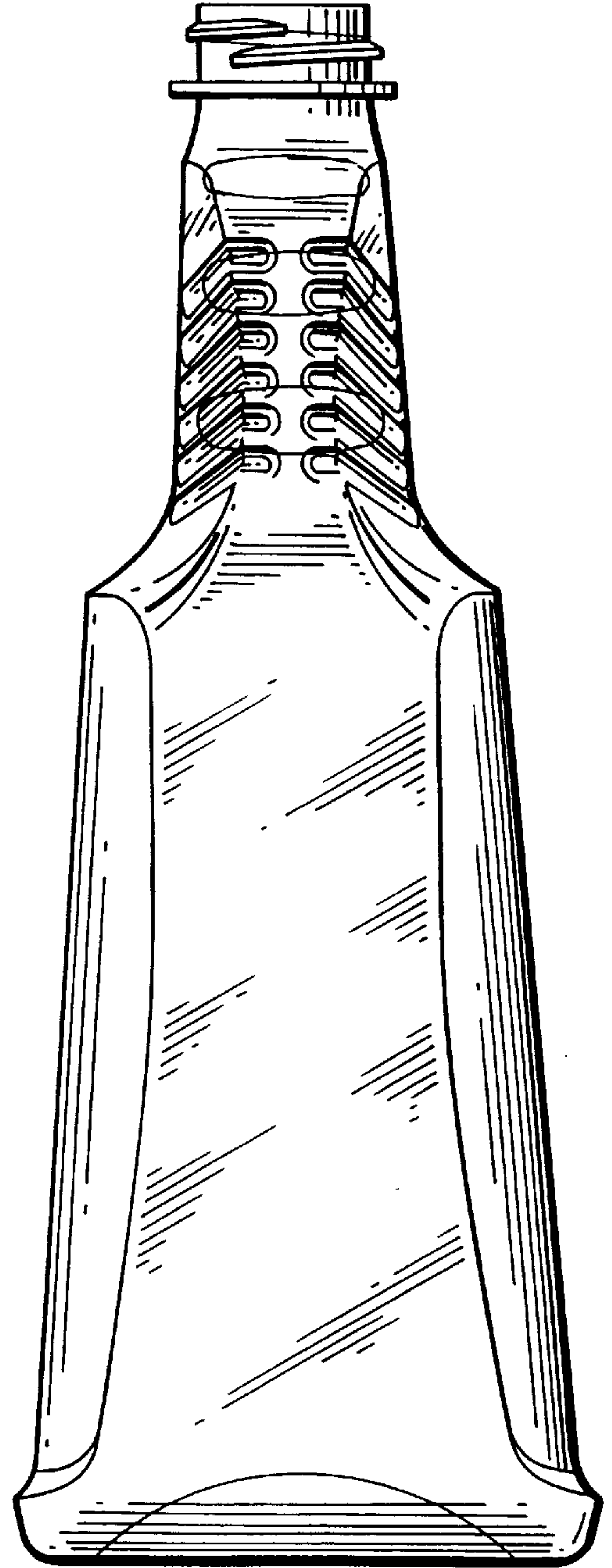


FIG. 4

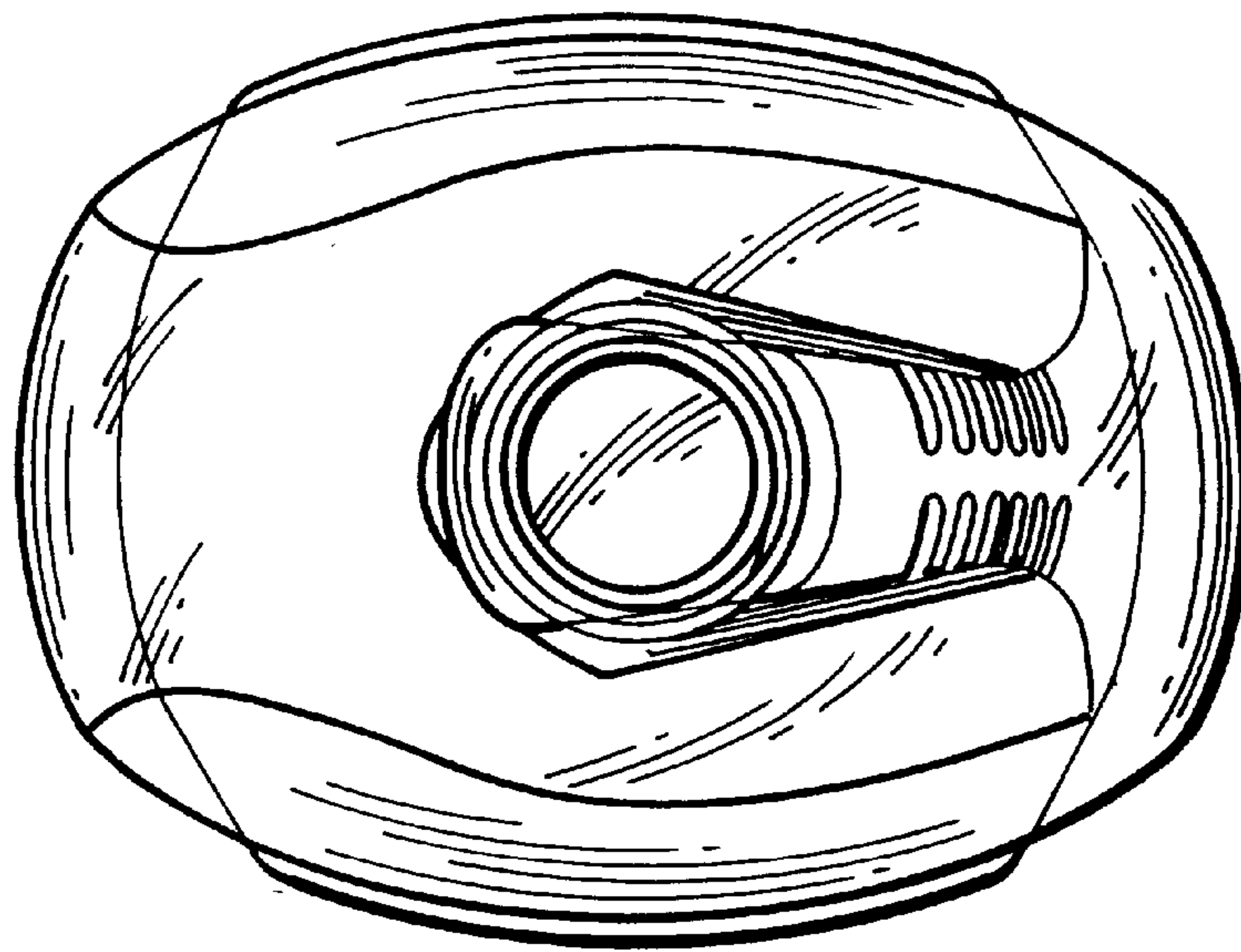


FIG. 5

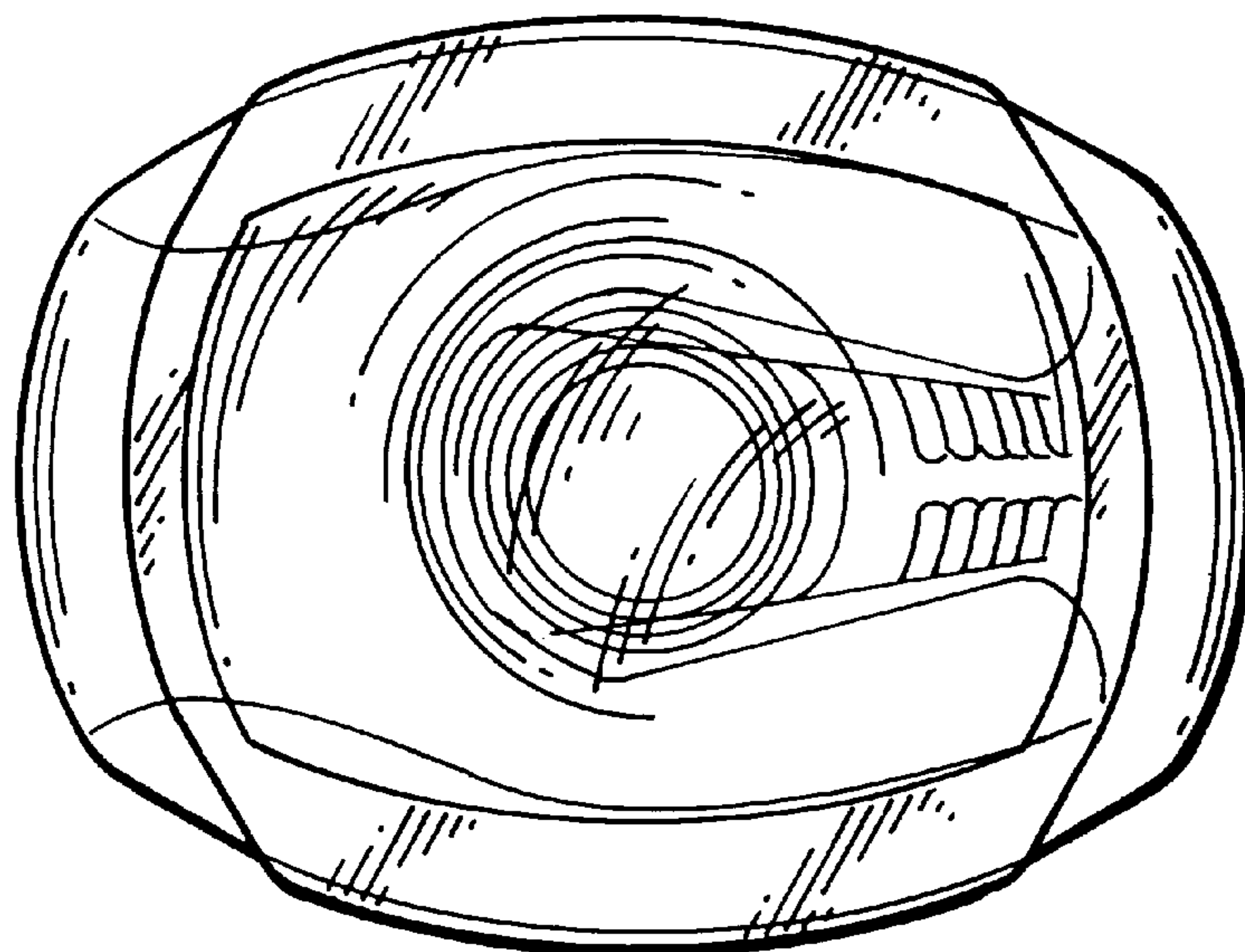


FIG. 6