



US00D413802S

United States Patent [19]
Glover et al.

[11] **Patent Number: Des. 413,802**
[45] **Date of Patent: ** Sep. 14, 1999**

[54] **CARTON**
[75] Inventors: **Andrew J. Glover; Gavin J. Mounce,**
both of Launceston; **Michael J. Bates,**
Bude, all of United Kingdom

4,498,619 2/1985 Roccaforte 229/117.13
4,567,070 1/1986 Karass 229/939 X
5,320,277 6/1994 Stout et al. 229/117.13
5,385,234 1/1995 Stout et al. 229/117.13 X

[73] Assignee: **David S. Smith Packaging Limited,**
Cornwall, United Kingdom

FOREIGN PATENT DOCUMENTS
0352534 1/1990 European Pat. Off. 229/117.13
846880 8/1960 United Kingdom .

[**] Term: **14 Years**

Primary Examiner—Prabhakar Deshmukh
Attorney, Agent, or Firm—Dann, Dorfman, Herrell and
Skillman, P.C.; Henry H. Skillman

[21] Appl. No.: **29/080,386**

[22] Filed: **Dec. 8, 1997**

[57] **CLAIM**

[30] **Foreign Application Priority Data**

The ornamental design for a carton, as shown and described.

Jun. 10, 1997 [GB] United Kingdom 2066478

DESCRIPTION

[51] **LOC (6) Cl.** **09-07**

[52] **U.S. Cl.** **D9/416**

[58] **Field of Search** D9/416, 417, 432,
D9/423; 229/117.13, 243, 117.12, 117.09,
200, 914, 925

FIG. 1 is a perspective view from the front and above of a carton showing the design;
FIG. 2 is a perspective view thereof from the rear and above;
FIG. 3 is a perspective view thereof from one side;
FIG. 4 is a perspective view thereof from above;
FIG. 5 is a plan view thereof in the unassembled condition;
and,
FIG. 6 is a perspective view thereof in the unassembled condition.

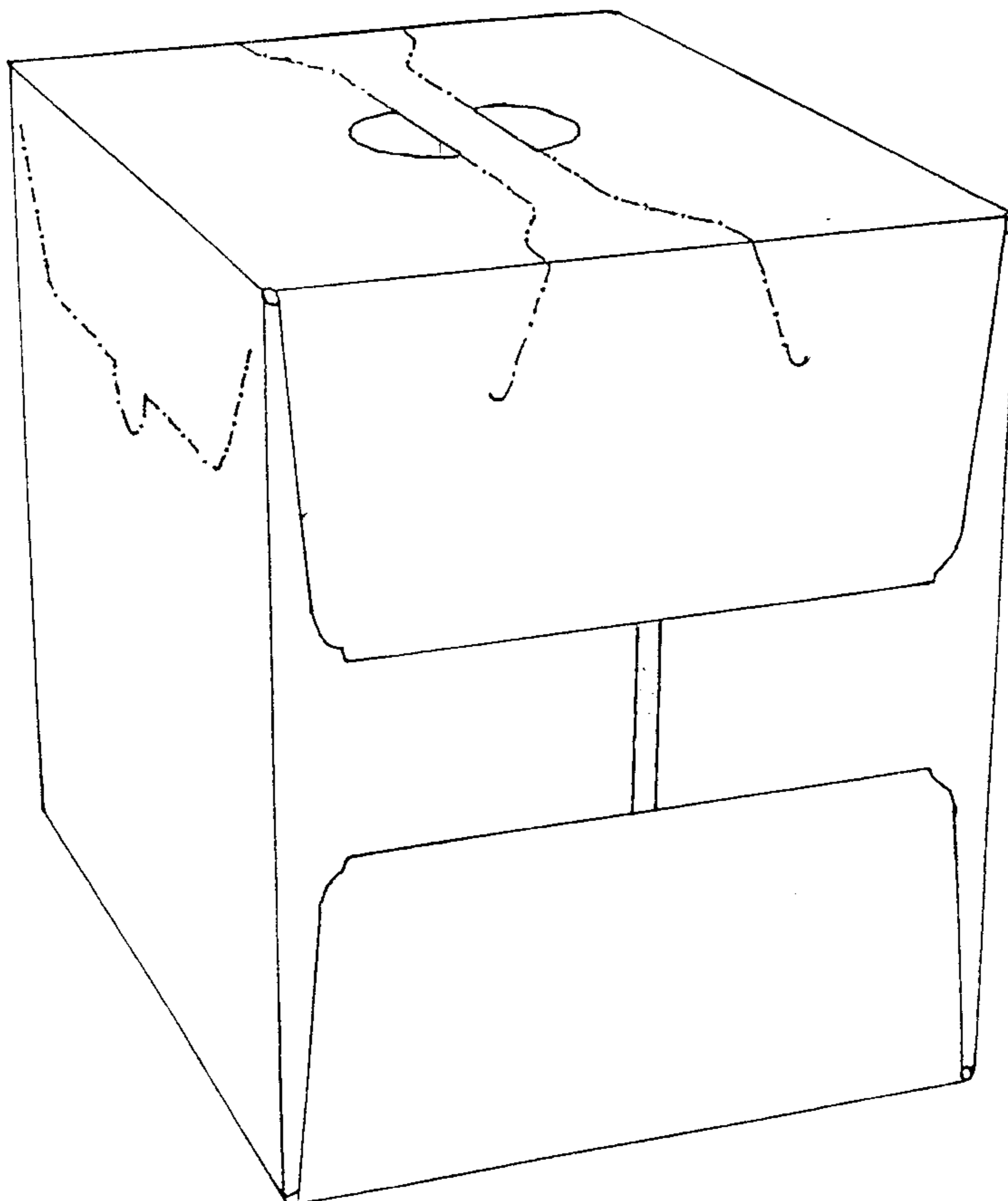
[56] **References Cited**

U.S. PATENT DOCUMENTS

D. 268,649 4/1983 Adamson et al. D9/416
D. 271,944 12/1983 Wood D9/416
D. 350,480 9/1994 Sutherland D9/416
3,094,268 6/1963 Swanson et al. 229/117.13
4,380,289 4/1983 Bigelow 229/235 X

In the figures, solid lines represent a cut or a folded edge, dashed lines represent fold lines and dot-and-dash lines represent perforated lines.

1 Claim, 6 Drawing Sheets



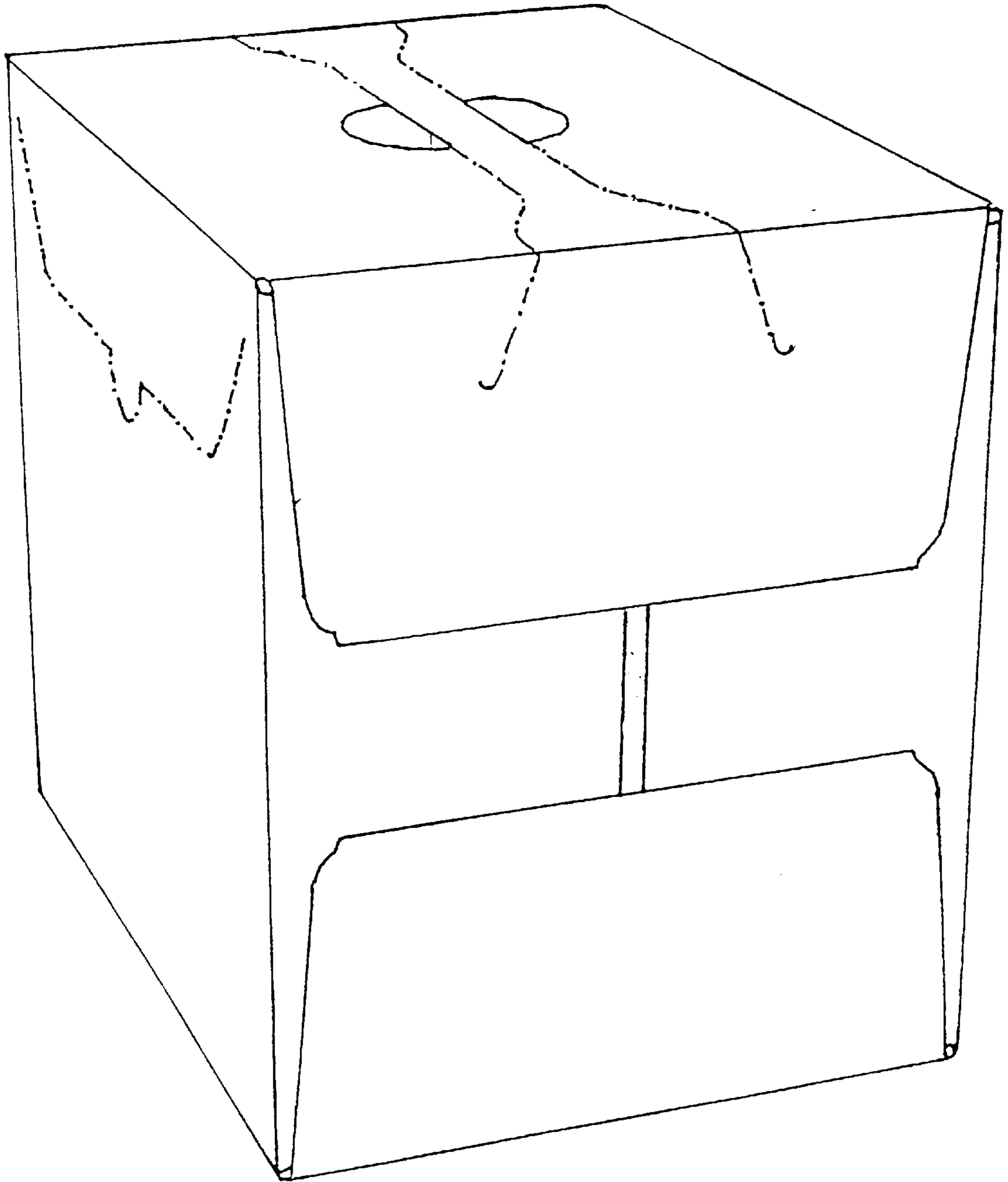


Fig. 1

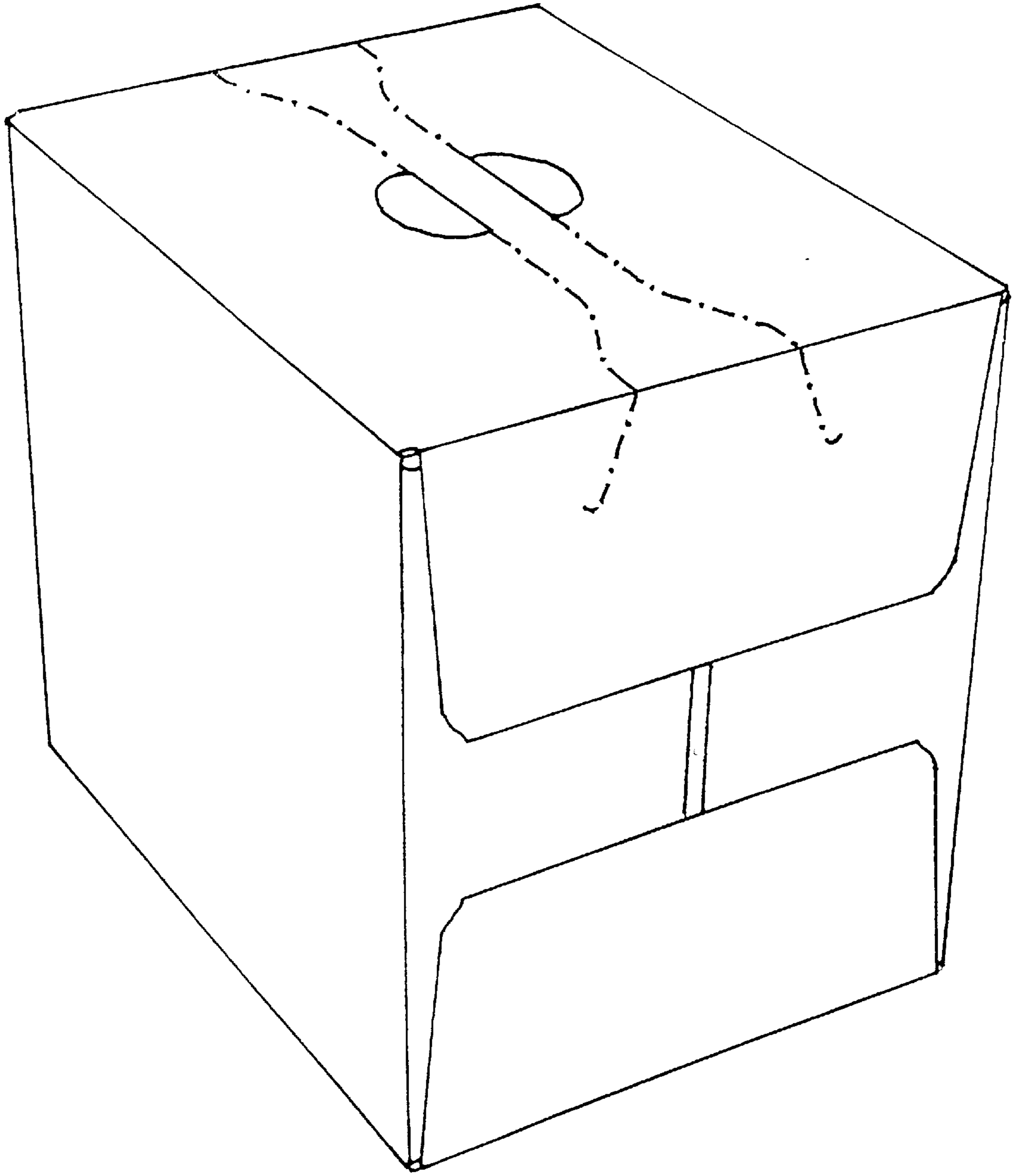


Fig. 2

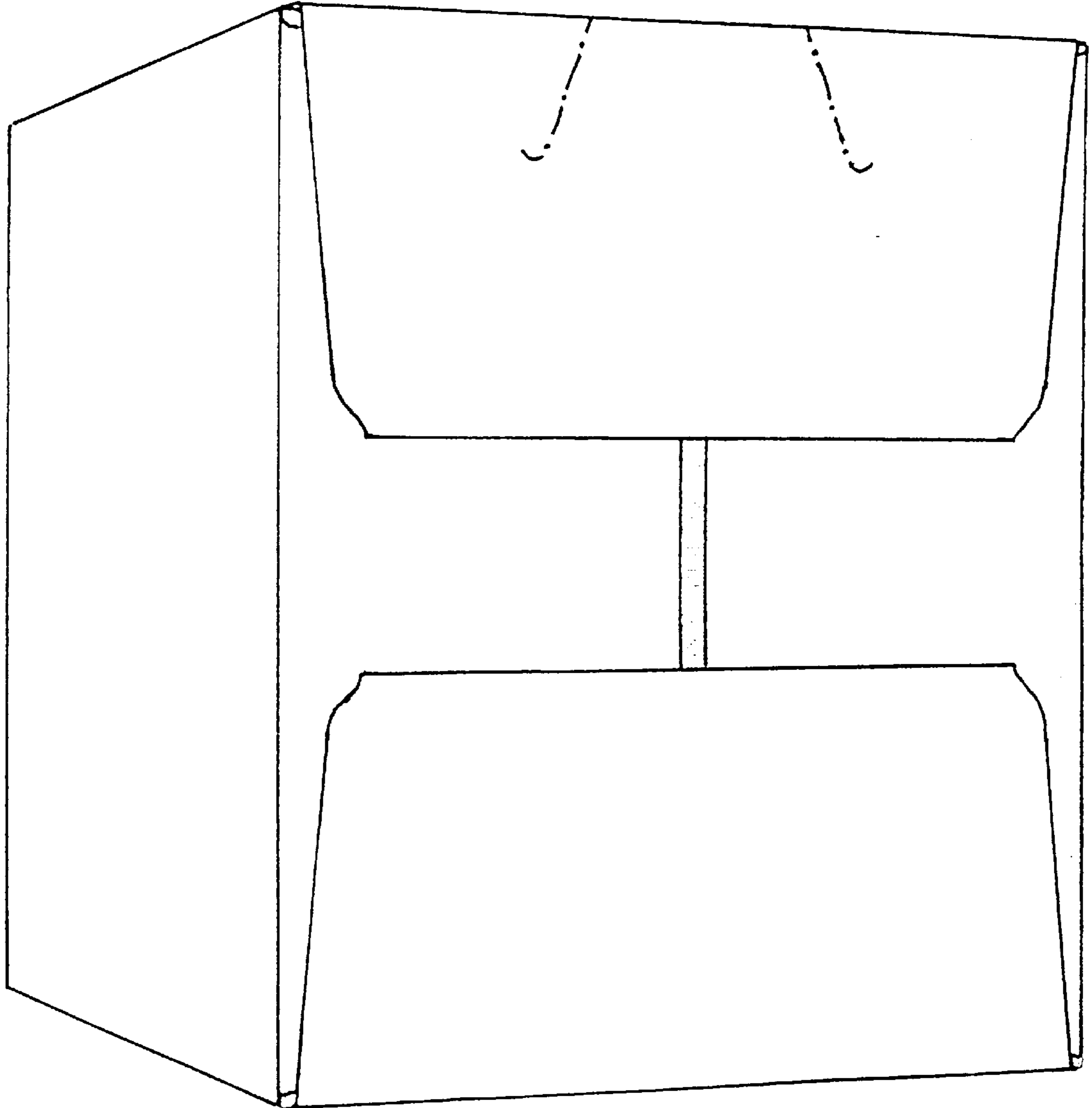


Fig. 3

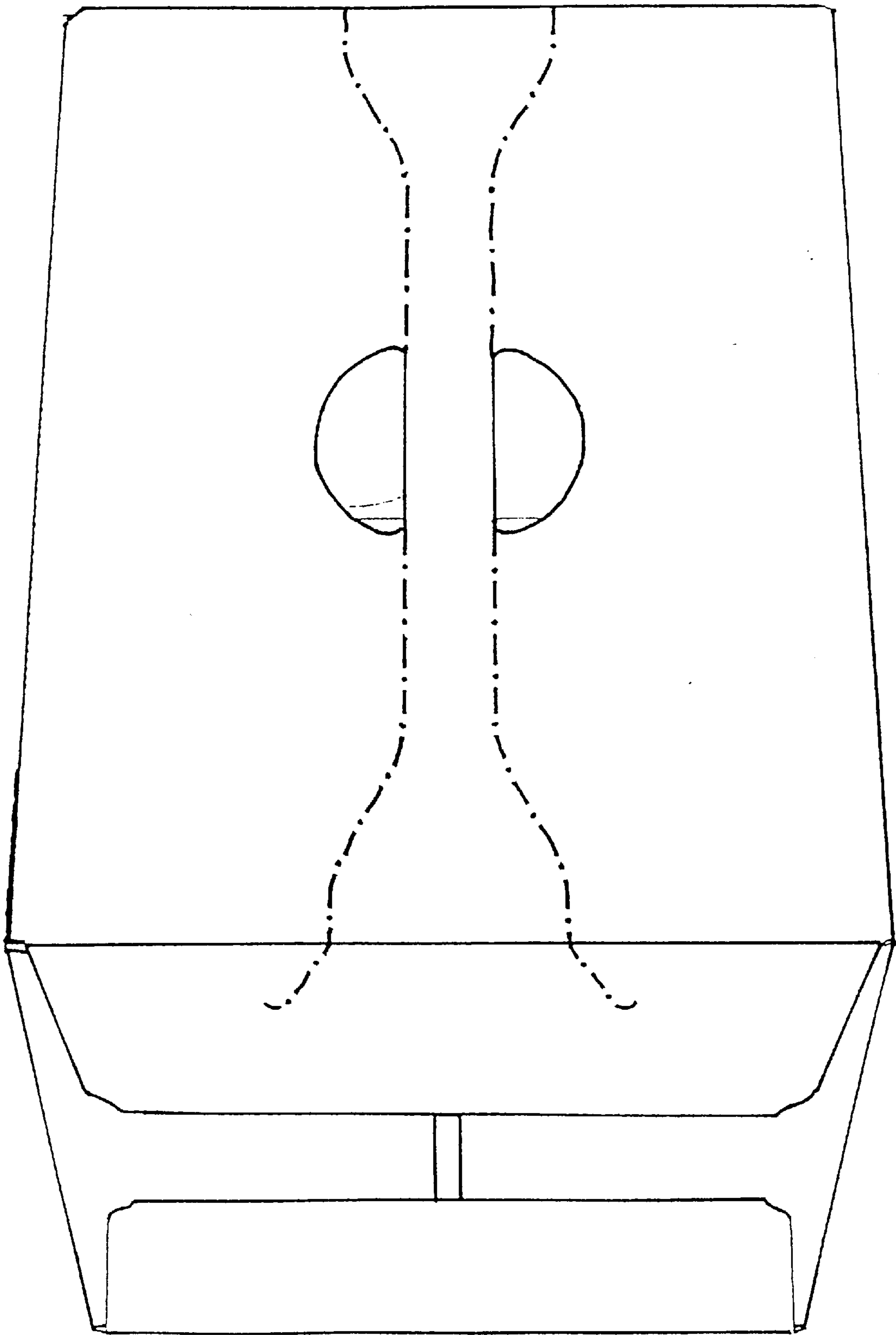


Fig. 4

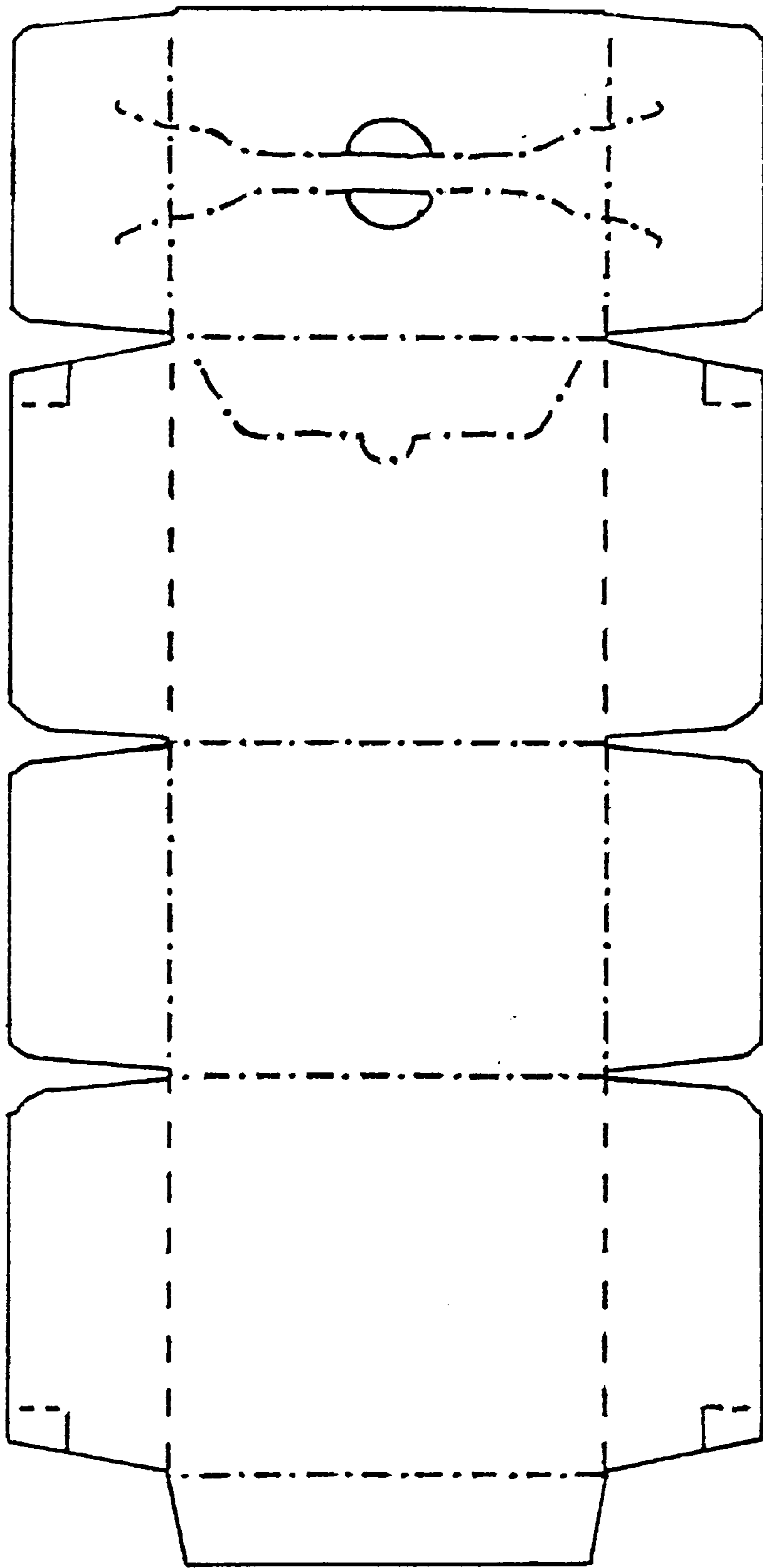


Fig. 5

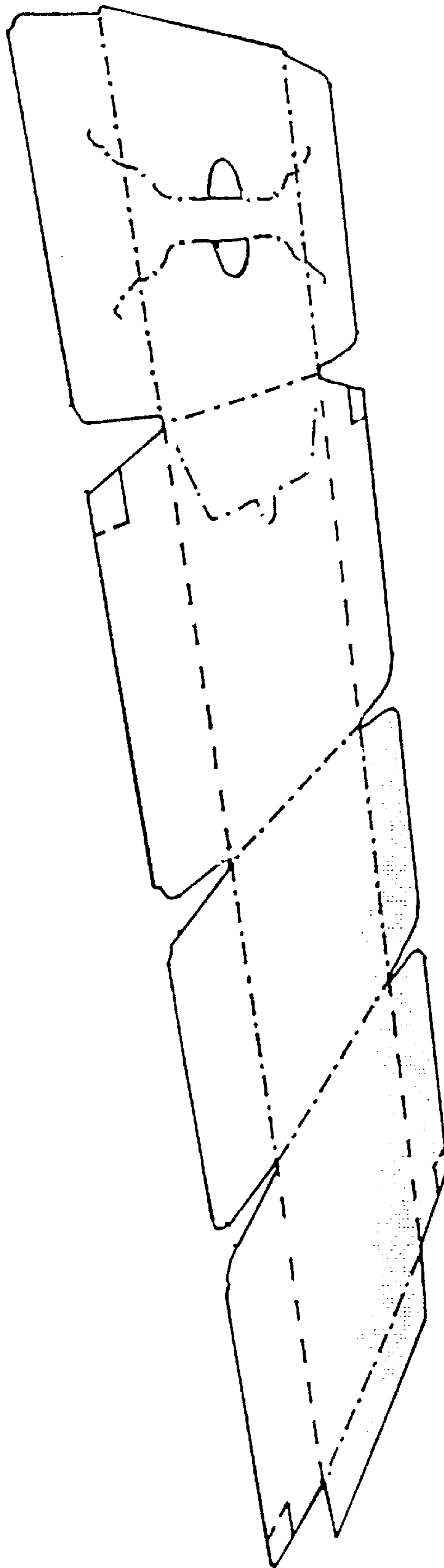


Fig. 6