



US00D413799S

United States Patent [19] Schlatter

[11] **Patent Number: Des. 413,799**

[45] **Date of Patent: ** Sep. 14, 1999**

[54] **APPLICATOR PACKAGE**

[76] Inventor: **Gary Schlatter**, 2901 S. Tejon St., Englewood, Colo. 80110

[**] Term: **14 Years**

[21] Appl. No.: **29/073,422**

[22] Filed: **Jul. 8, 1997**

[51] **LOC (6) Cl.** **09-07**

[52] **U.S. Cl.** **D9/338; D9/504; D9/529; D28/76**

[58] **Field of Search** D9/337, 338, 339, D9/503-504, 517-520, 529, 571-575, 453; D28/7, 76, 82; 401/95, 172, 175, 176, 179; 206/229, 581, 823

[56] **References Cited**

U.S. PATENT DOCUMENTS

- D. 240,711 7/1976 Angleman et al. D9/338
- D. 306,137 2/1990 Nitta D9/529 X
- D. 318,621 7/1991 Venne D9/453
- D. 335,086 4/1993 Wacker D9/529

- D. 341,225 11/1993 Lang et al. D28/76
- D. 350,895 9/1994 Lang et al. D28/7 X
- 4,545,696 10/1985 Carluccio 401/175

Primary Examiner—Nanda Bondade
Attorney, Agent, or Firm—Aquilino & Welsh

[57] **CLAIM**

The ornamental design for an applicator package, as shown and described.

DESCRIPTION

FIG. 1 is a front perspective view showing my new design. FIG. 2 is an exploded perspective view with the cap removed.

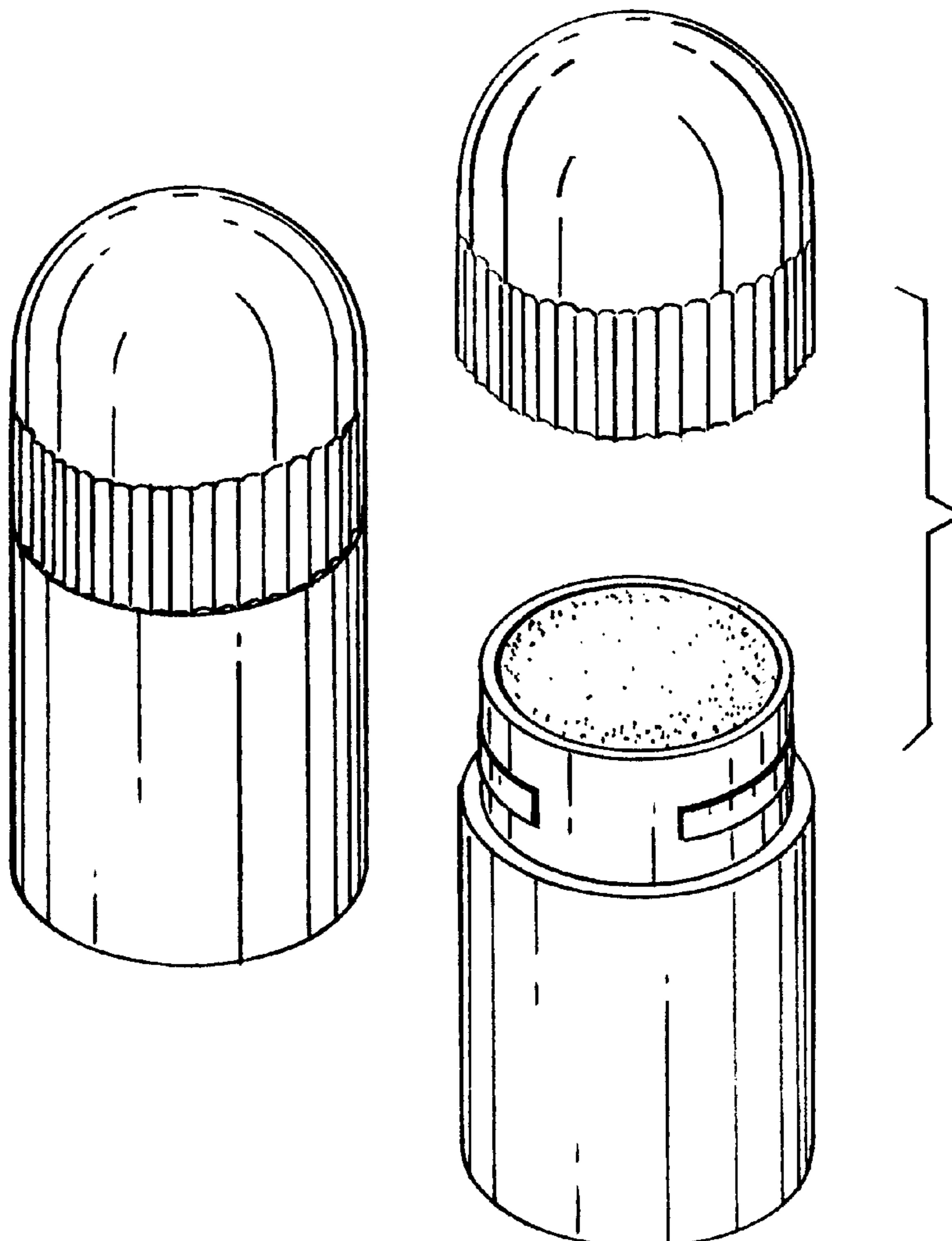
FIG. 3 is a top view.

FIG. 4 is a bottom view; and,

FIG. 5 is a front elevational view, the rear and side views being identical.

The inside portions of the cap and the portions of the neck area of the applicator package which are not visible in FIG. 2, form no part of the claimed design.

1 Claim, 1 Drawing Sheet



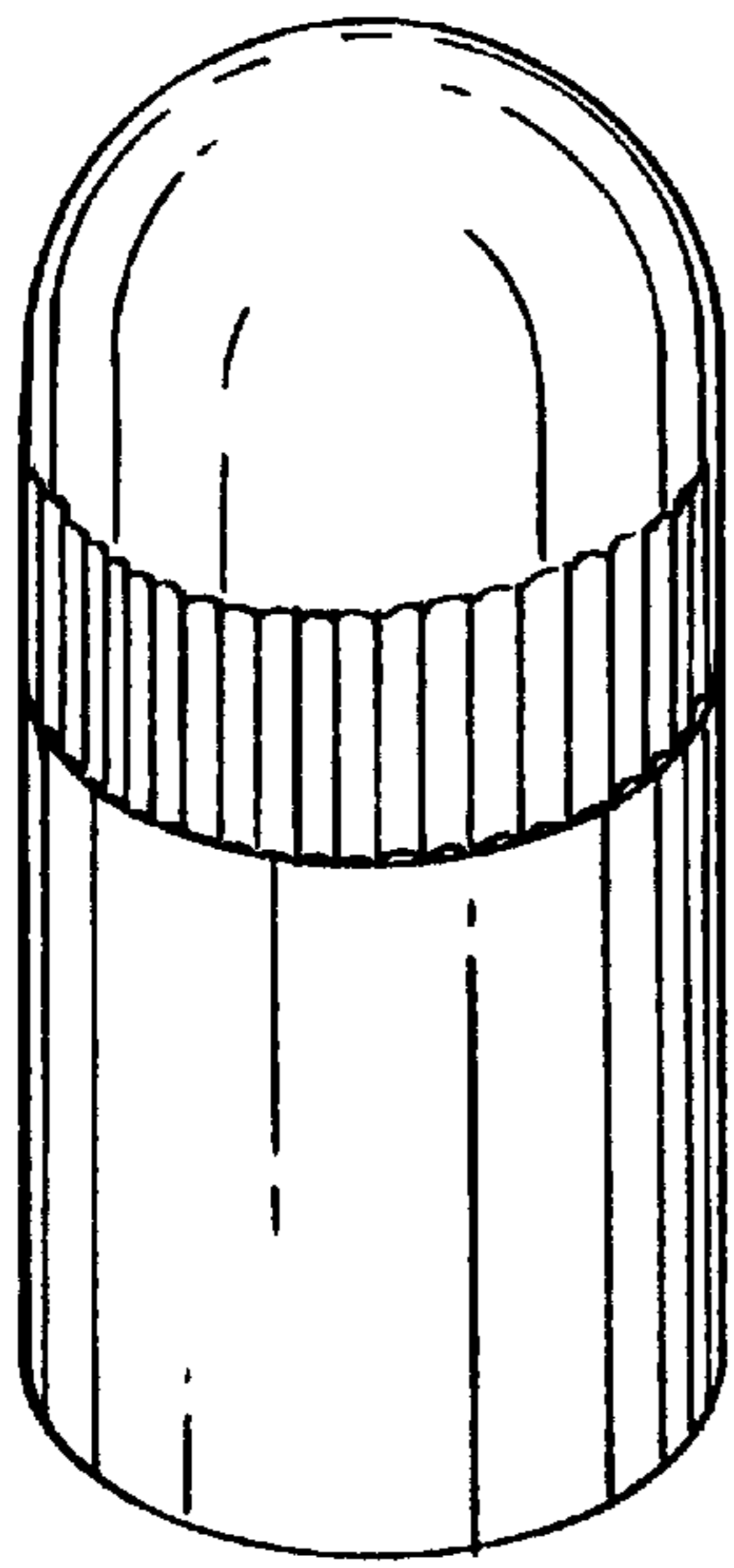


FIG. 1

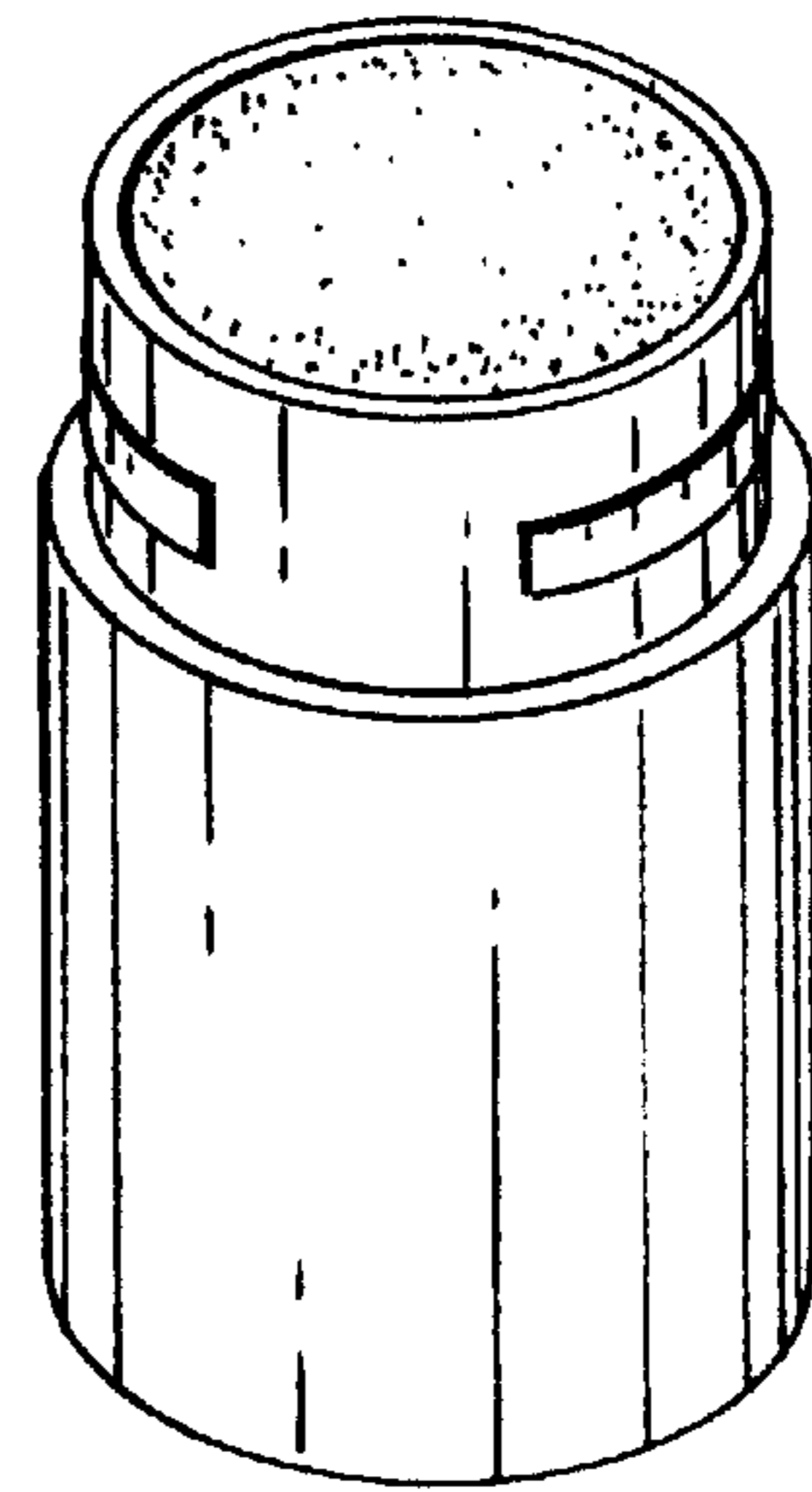
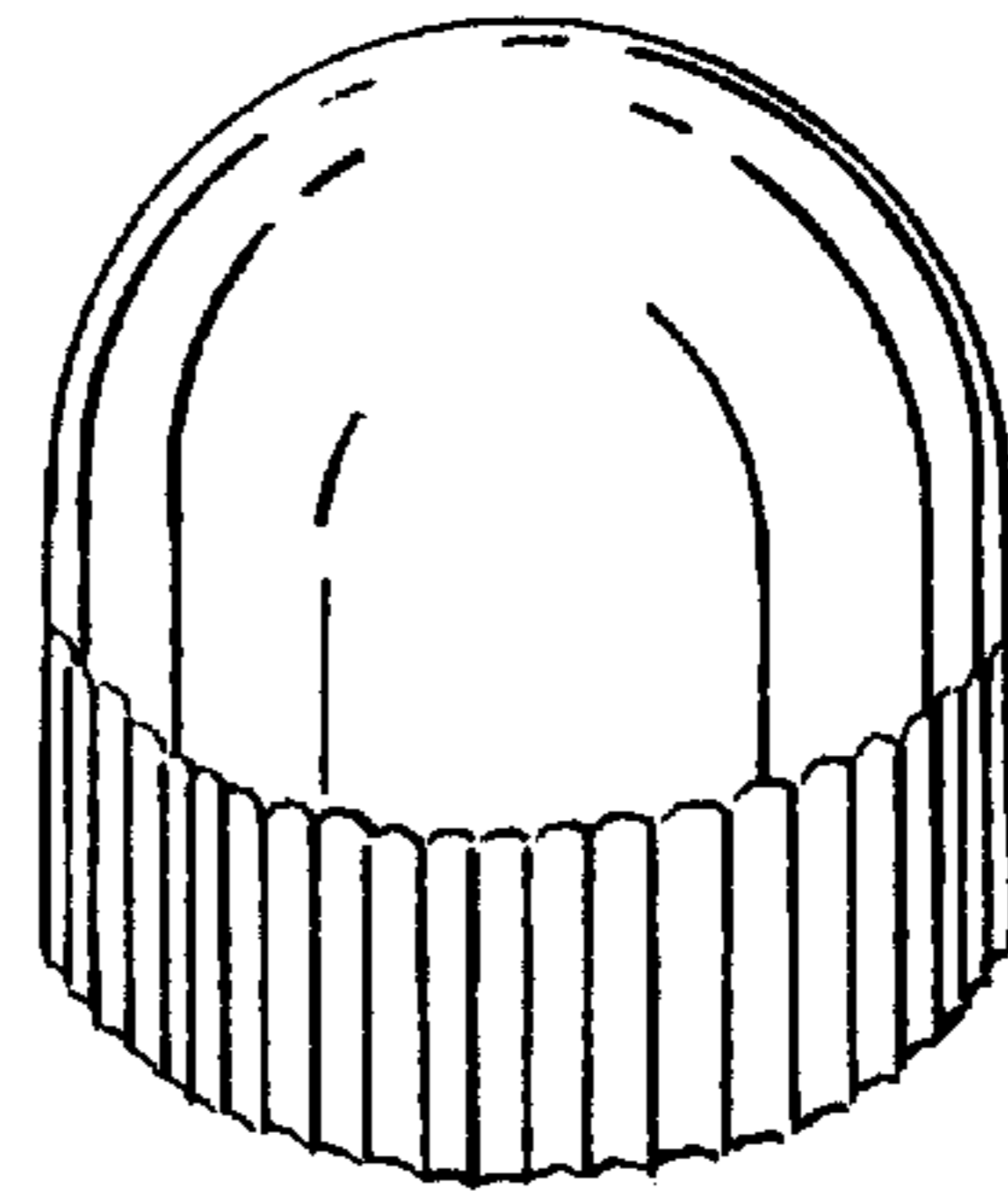


FIG. 2

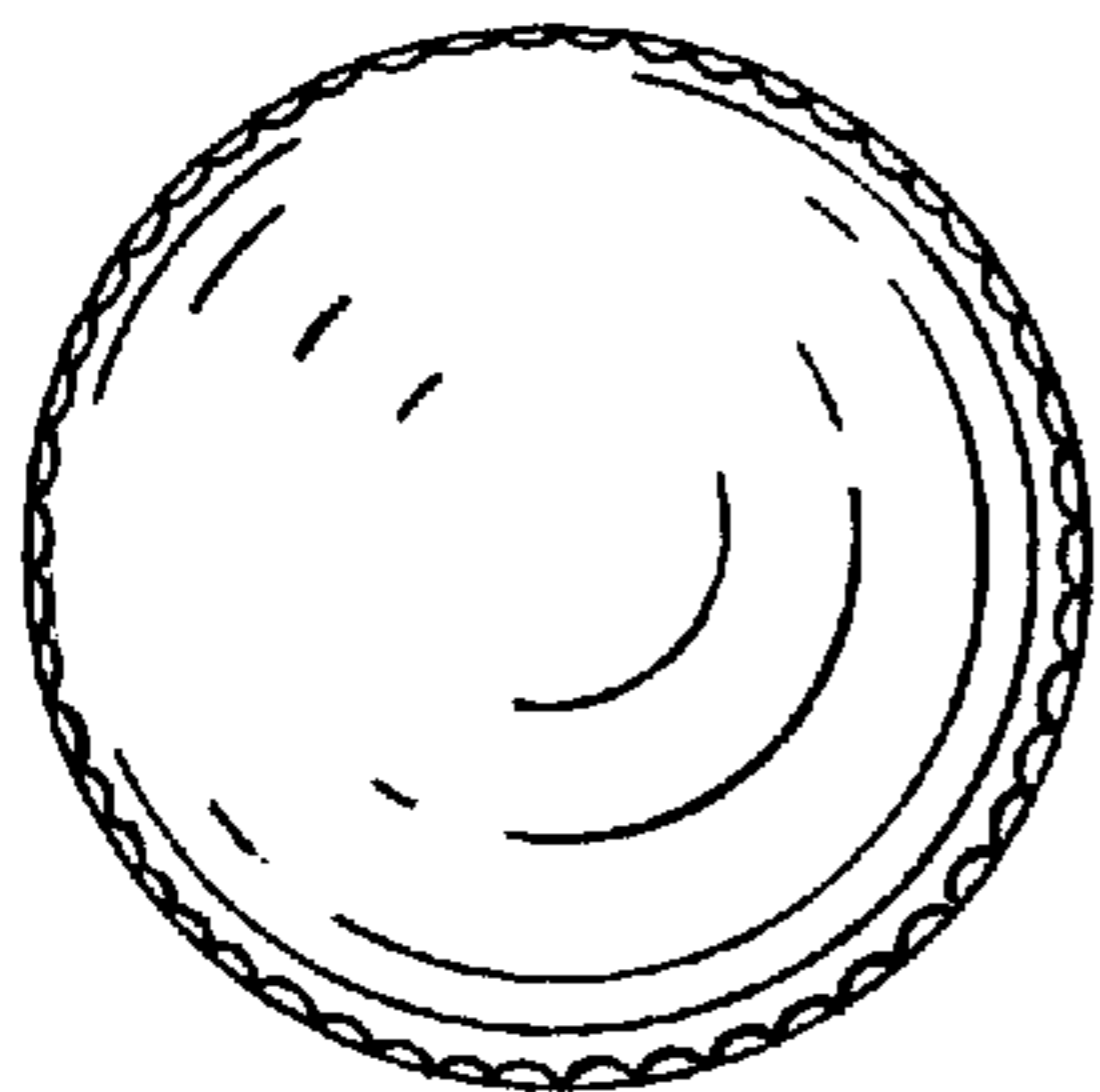


FIG. 3

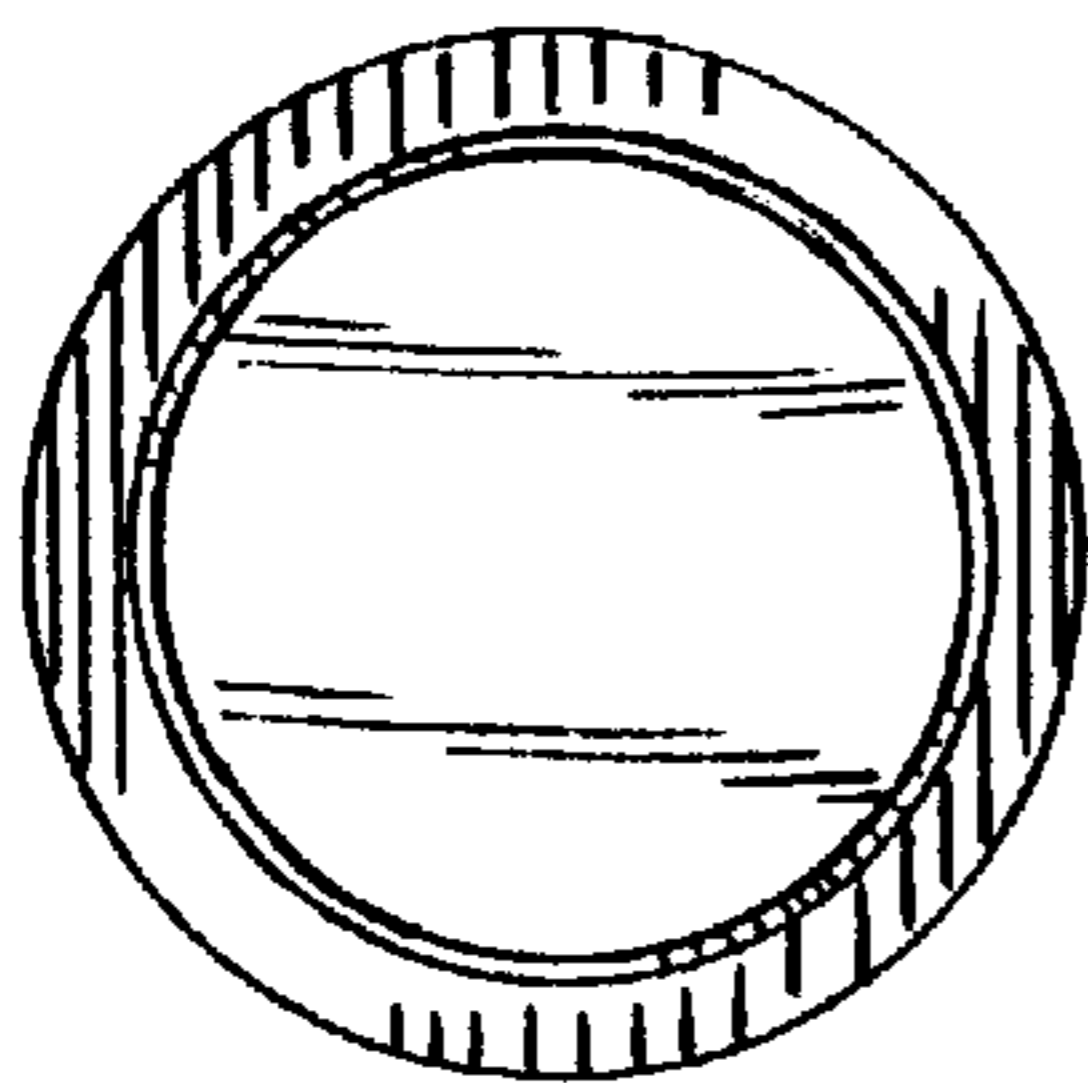


FIG. 4

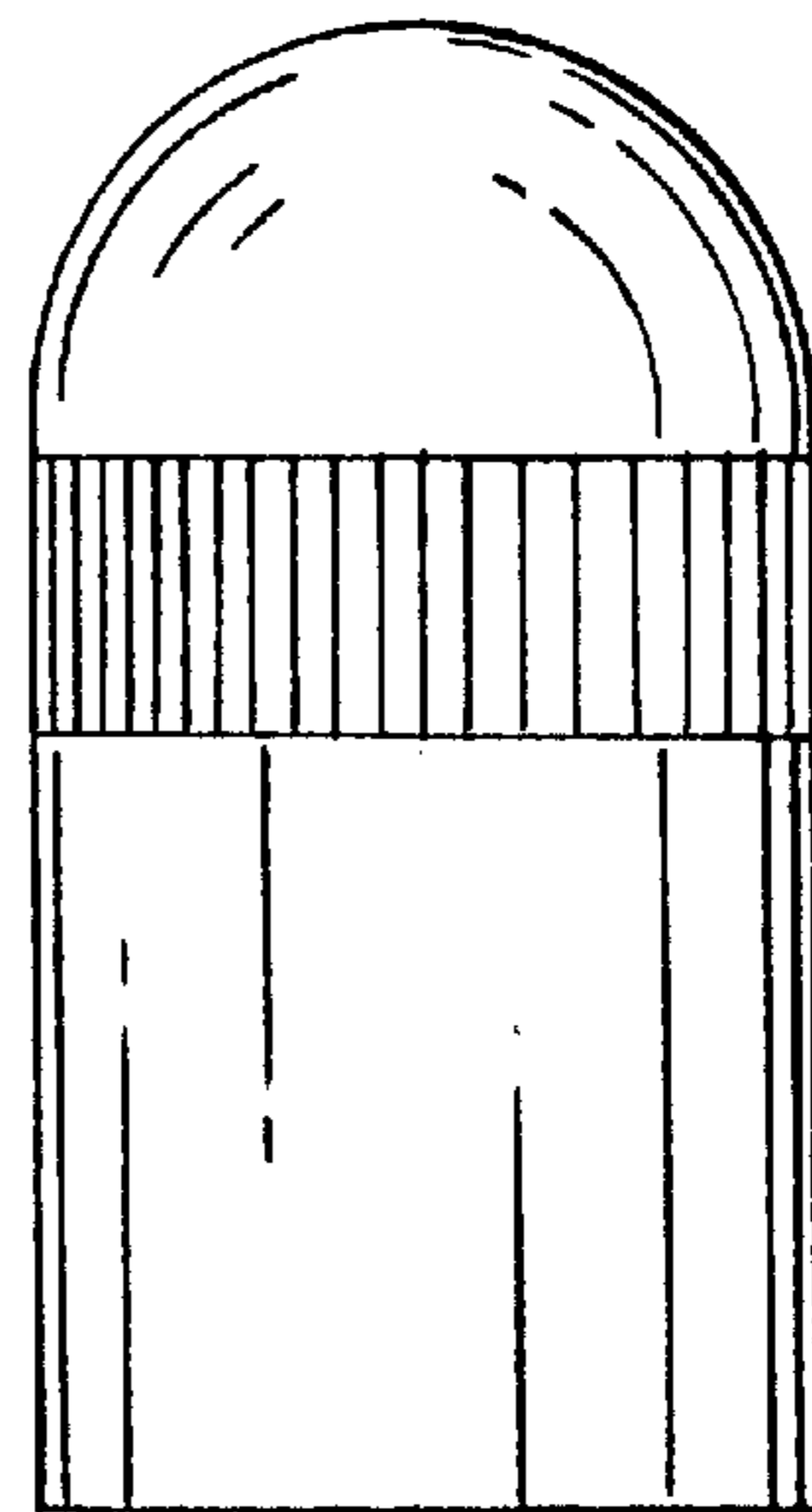


FIG. 5