



US00D413798S

**United States Patent** [19]  
**LaMarra**

[11] **Patent Number: Des. 413,798**

[45] **Date of Patent: \*\* Sep. 14, 1999**

[54] **BOTTLE**

[75] **Inventor: Michael K. LaMarra, Pinckney, Mich.**

[73] **Assignee: Quality First Performance, LLC,  
Brighton, Mich.**

[\*\*] **Term: 14 Years**

[21] **Appl. No.: 29/072,234**

[22] **Filed: Jun. 10, 1997**

[51] **LOC (6) Cl. .... 09-99**

[52] **U.S. Cl. .... D9/337; D9/527; D9/447;  
D7/510; D7/511; D7/533**

[58] **Field of Search .... D7/509-511, 526,  
D7/533, 536; D9/337, 443, 447, 525-527,  
531, 436; D23/212; D24/197; 215/396,  
398; 220/705, 717; 222/207, 212**

[56] **References Cited**

**U.S. PATENT DOCUMENTS**

D. 182,940	5/1958	Williams	.....	D9/447 X
231,634	8/1880	Wall	.	
D. 264,428	5/1982	Jones	.....	D9/526 X
D. 296,986	8/1988	MacFarlane	.....	D9/527

D. 316,389	4/1991	Wood et al.	.....	D9/337 X
D. 328,712	8/1992	Butler et al.	.....	D9/526
D. 348,802	7/1994	Miller, III	.....	D9/526 X
2,355,010	8/1944	Pera	.....	215/398 X
3,120,911	2/1964	De Los Coultman et al.	.	
3,750,722	8/1973	Nowak	.....	141/332
4,760,937	8/1988	Evezich	.....	222/95
4,775,078	10/1988	Schick et al.	.....	222/212

*Primary Examiner*—Nanda Bondade  
*Attorney, Agent, or Firm*—MacMillan, Sobanski & Todd, LLC

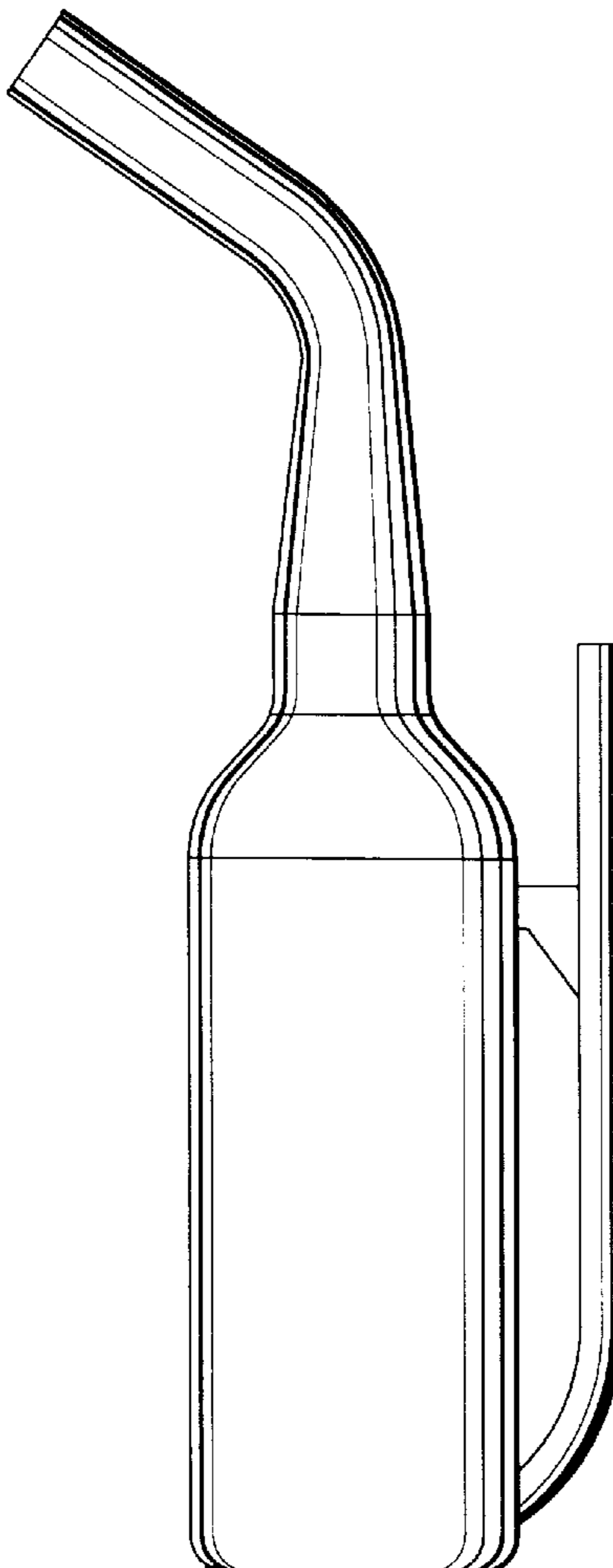
[57] **CLAIM**

The ornamental design for a bottle, as shown.

**DESCRIPTION**

FIG. 1 is a perspective view of the bottle of the present invention;  
FIG. 2 is a rear elevational view thereof;  
FIG. 3 is a front elevational view thereof;  
FIG. 4 is a top plan view thereof;  
FIG. 5 is a bottom plan view thereof;  
FIG. 6 is a left side elevational view thereof; and,  
FIG. 7 is a right side elevational view thereof.

**1 Claim, 2 Drawing Sheets**



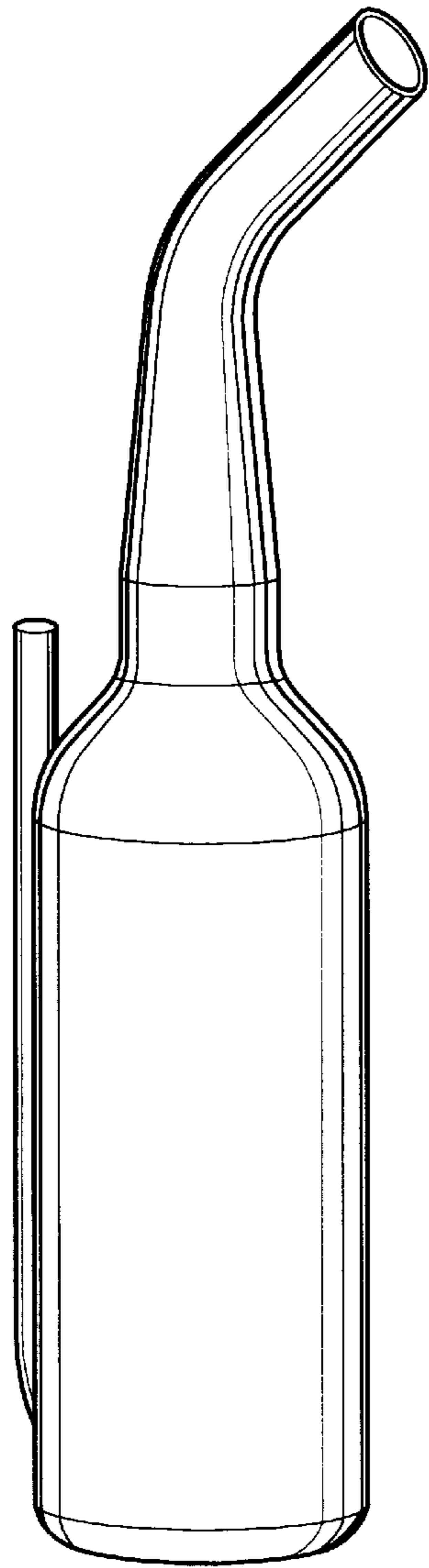


Fig-1

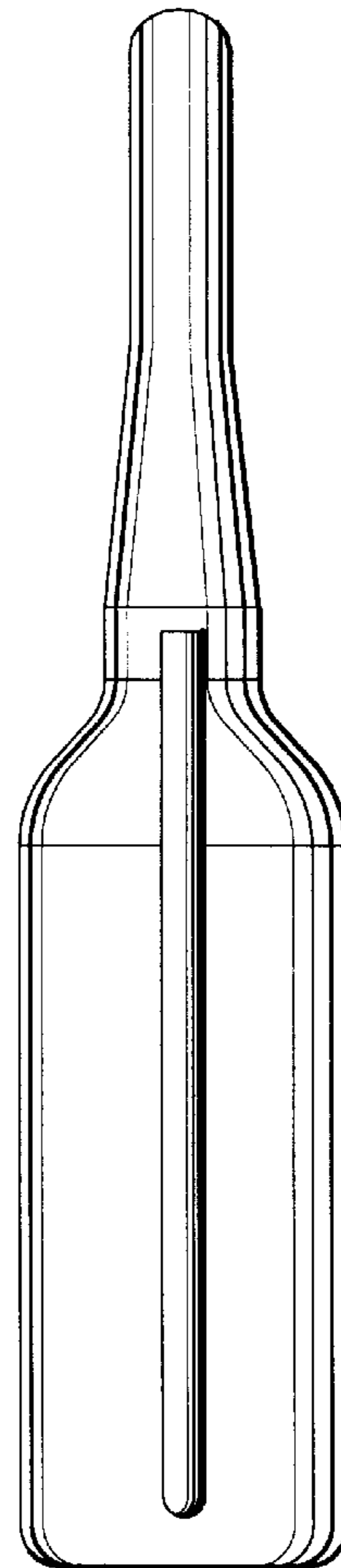


Fig-2

Fig-3

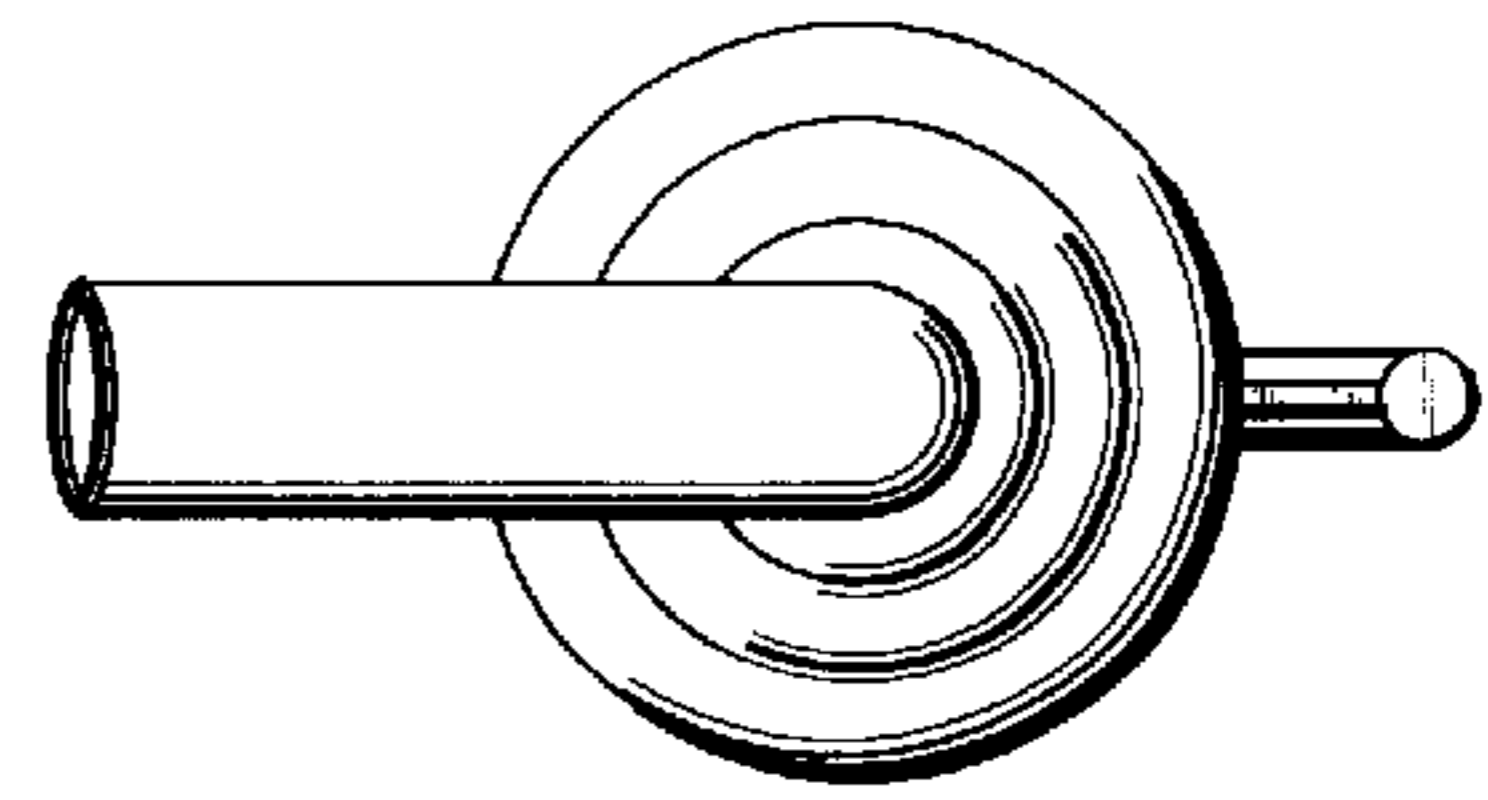
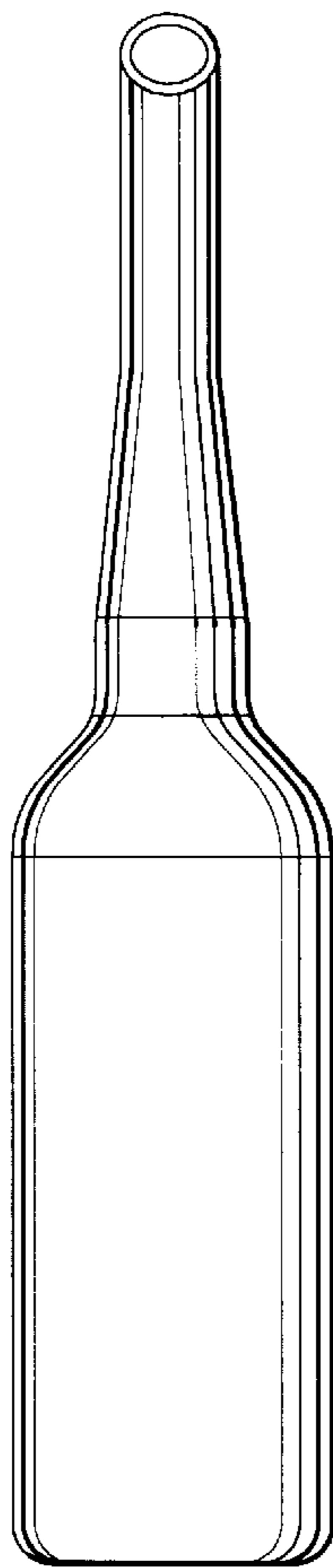


Fig-4

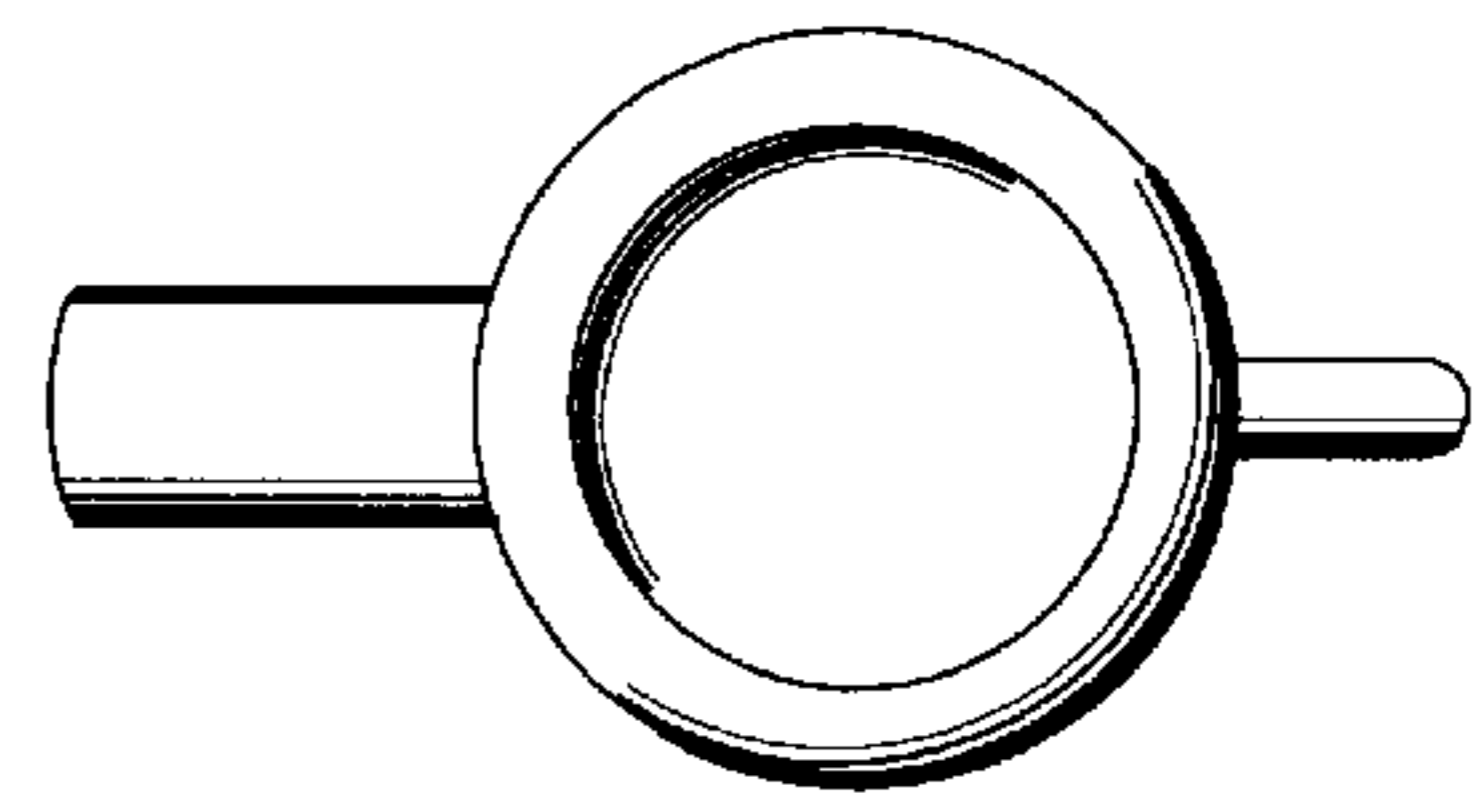


Fig-5

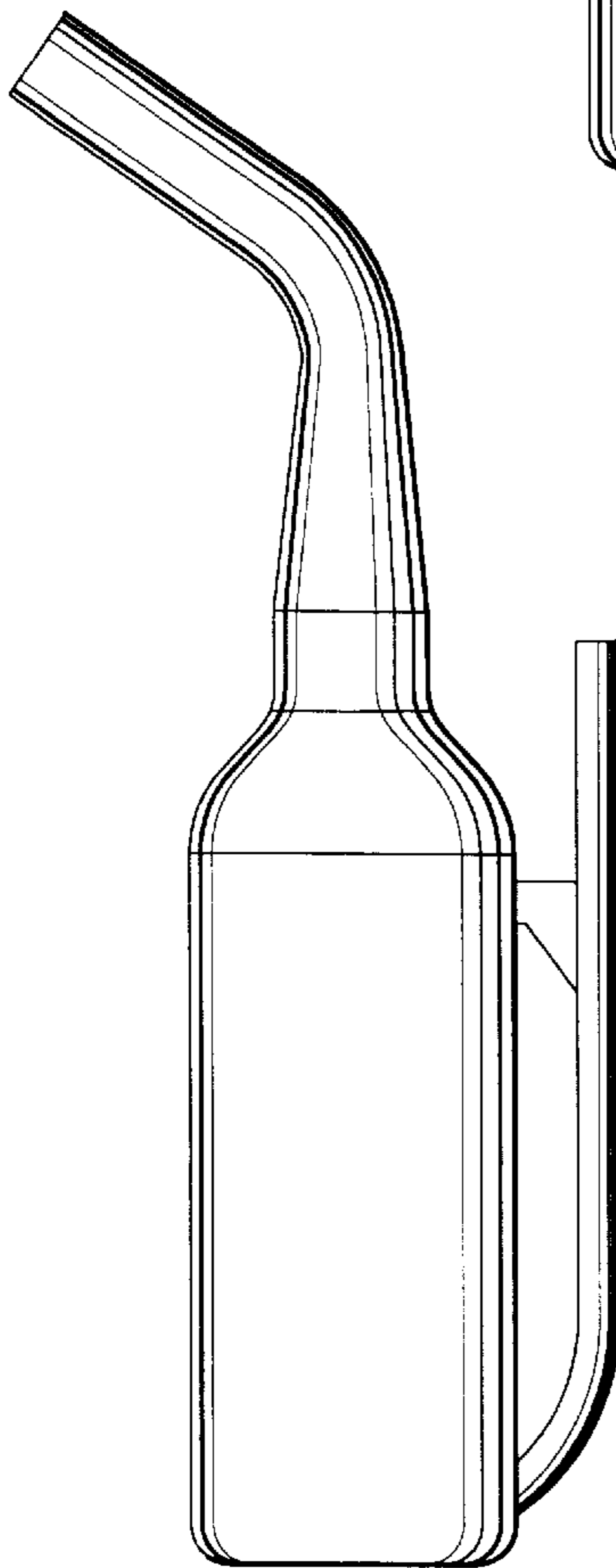


Fig-6

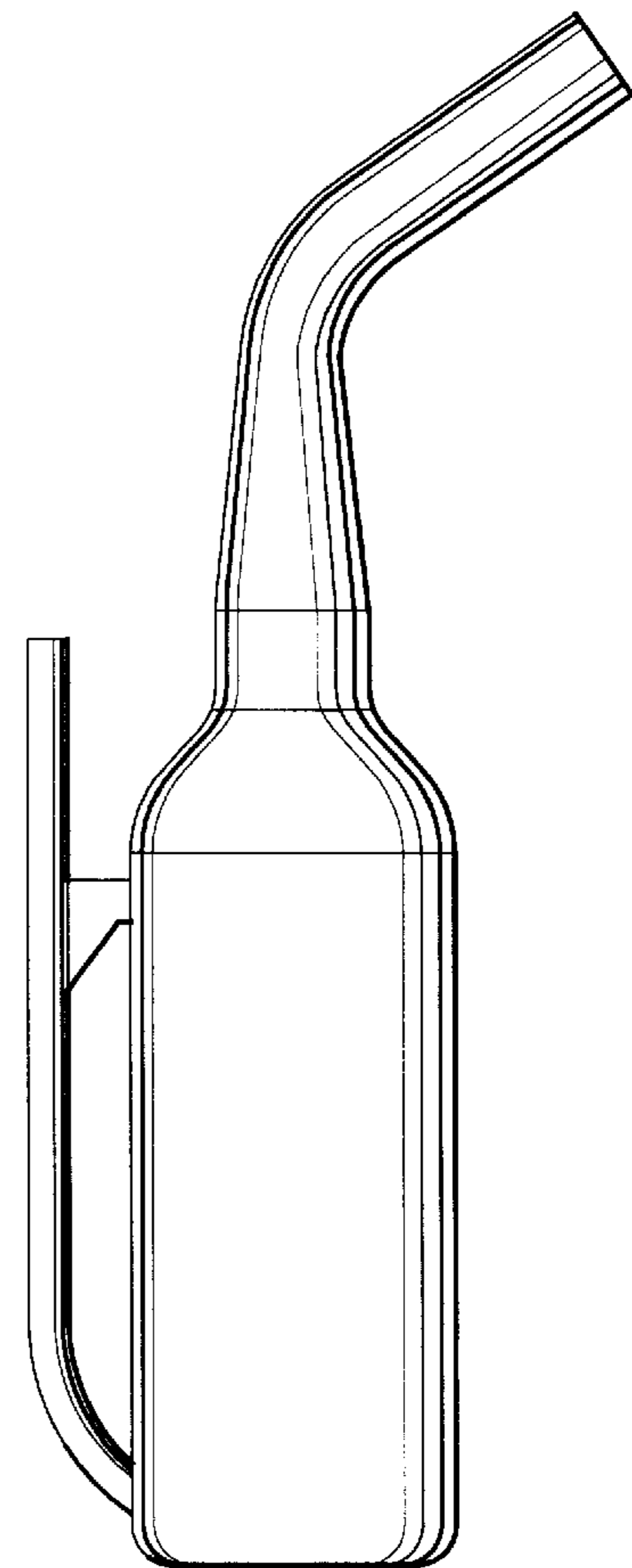


Fig-7