



US00D413792S

United States Patent [19]

Hotaling et al.

[11] Patent Number: Des. 413,792

[45] Date of Patent: ** Sep. 14, 1999

[54] CLAMP

[75] Inventors: **Bryan R. Hotaling**, Arlington; **Jon R. Rossman**, Chelmsford, both of Mass.

[73] Assignee: **The First Years, Inc.**, Mission Viejo, Calif.

[**] Term: 14 Years

[21] Appl. No.: 29/091,090

[22] Filed: Jul. 22, 1998

[51] LOC (6) Cl. 08-08

[52] U.S. Cl. D8/394

[58] Field of Search D8/394-396; 24/16 R, 24/455-456, 527, 528, 168

- 5,183,311 2/1993 Meeker et al. .
- 5,415,456 5/1995 Hart et al. .
- 5,474,355 12/1995 Lerner et al. .
- 5,480,211 1/1996 Douglas et al. .
- 5,609,389 3/1997 Longoria et al. .

Primary Examiner—Holly Baynham
Attorney, Agent, or Firm—Fish & Richardson P.C.

[57] CLAIM

The ornamental design for a clamp, as shown and described.

DESCRIPTION

FIG. 1 is a perspective view of a clamp embodying the new design.

FIG. 2 is a plan view of the right side of the clamp shown in FIG. 1.

FIG. 3 is a plan view of the left side of the clamp shown in FIG. 1.

FIG. 4 is a front plan view of the clamp shown in FIG. 1.

FIG. 5 is a rear plan view of the clamp shown in FIG. 1.

FIG. 6 is a top plan view of the clamp shown in FIG. 1; and, FIG. 7 is a bottom plan view of the clamp shown in FIG. 1.

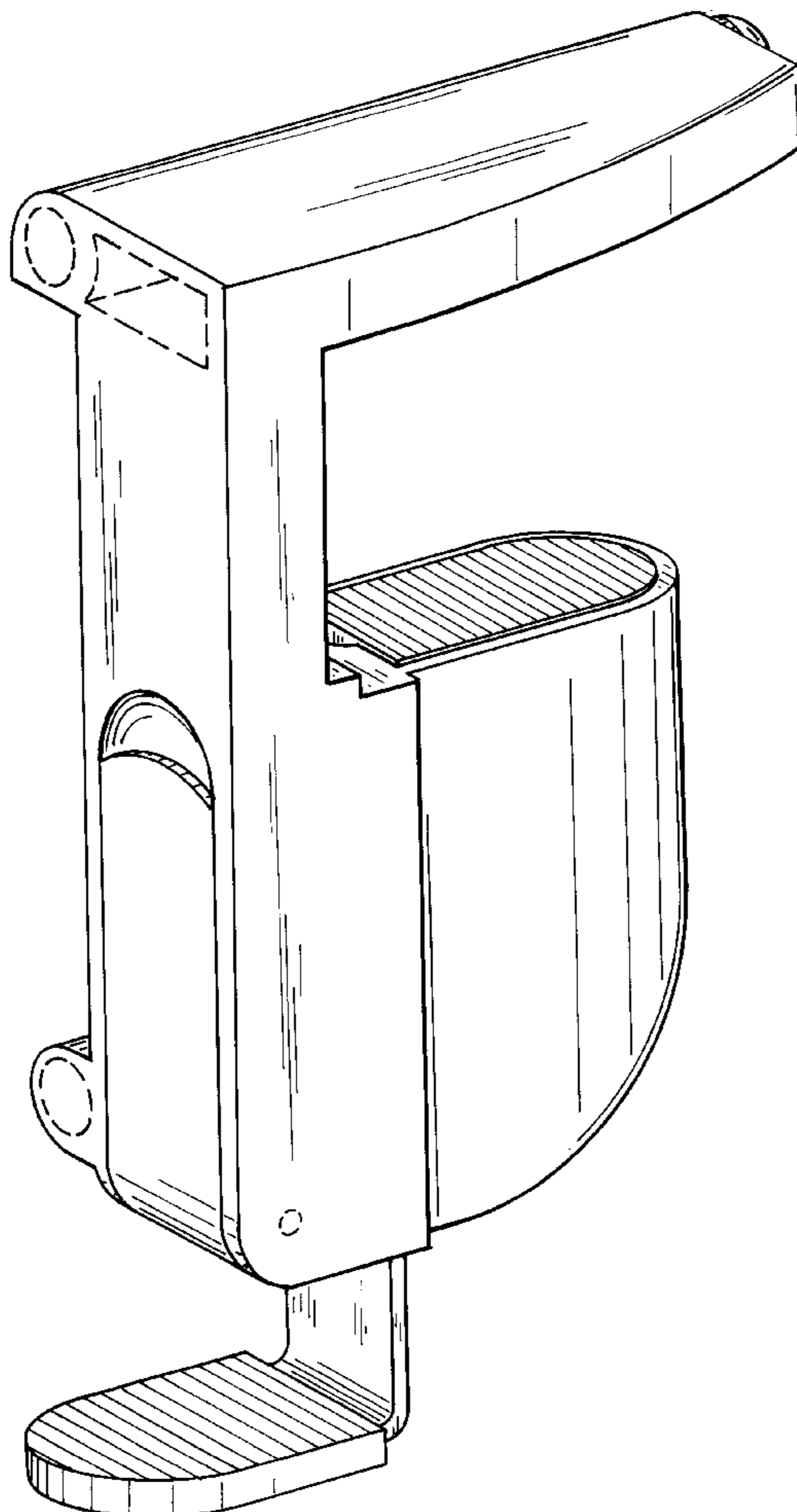
The broken lines in the figures illustrate environmental subject matter and forms no part of the claimed design.

[56] References Cited

U.S. PATENT DOCUMENTS

D. 252,255	7/1979	Uyeda	D8/394
D. 339,782	9/1993	Yoder	D8/394
D. 364,746	12/1995	Lerner et al.	.	
D. 374,125	10/1996	Bernstein et al.	.	
4,312,535	1/1982	Smith	.	
4,568,120	2/1986	Hoffman	.	
4,818,016	4/1989	Mariol et al.	.	

1 Claim, 5 Drawing Sheets



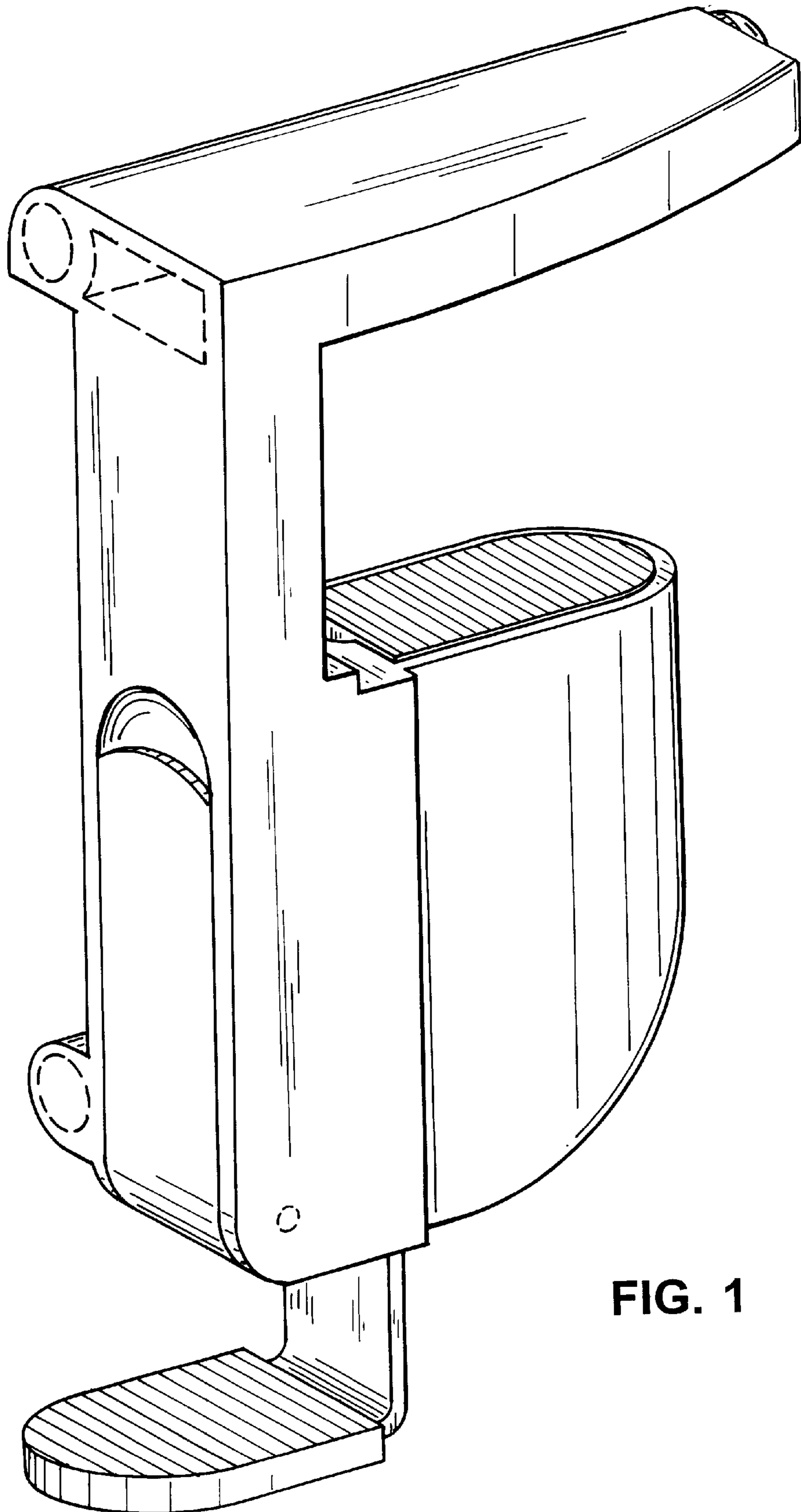


FIG. 1

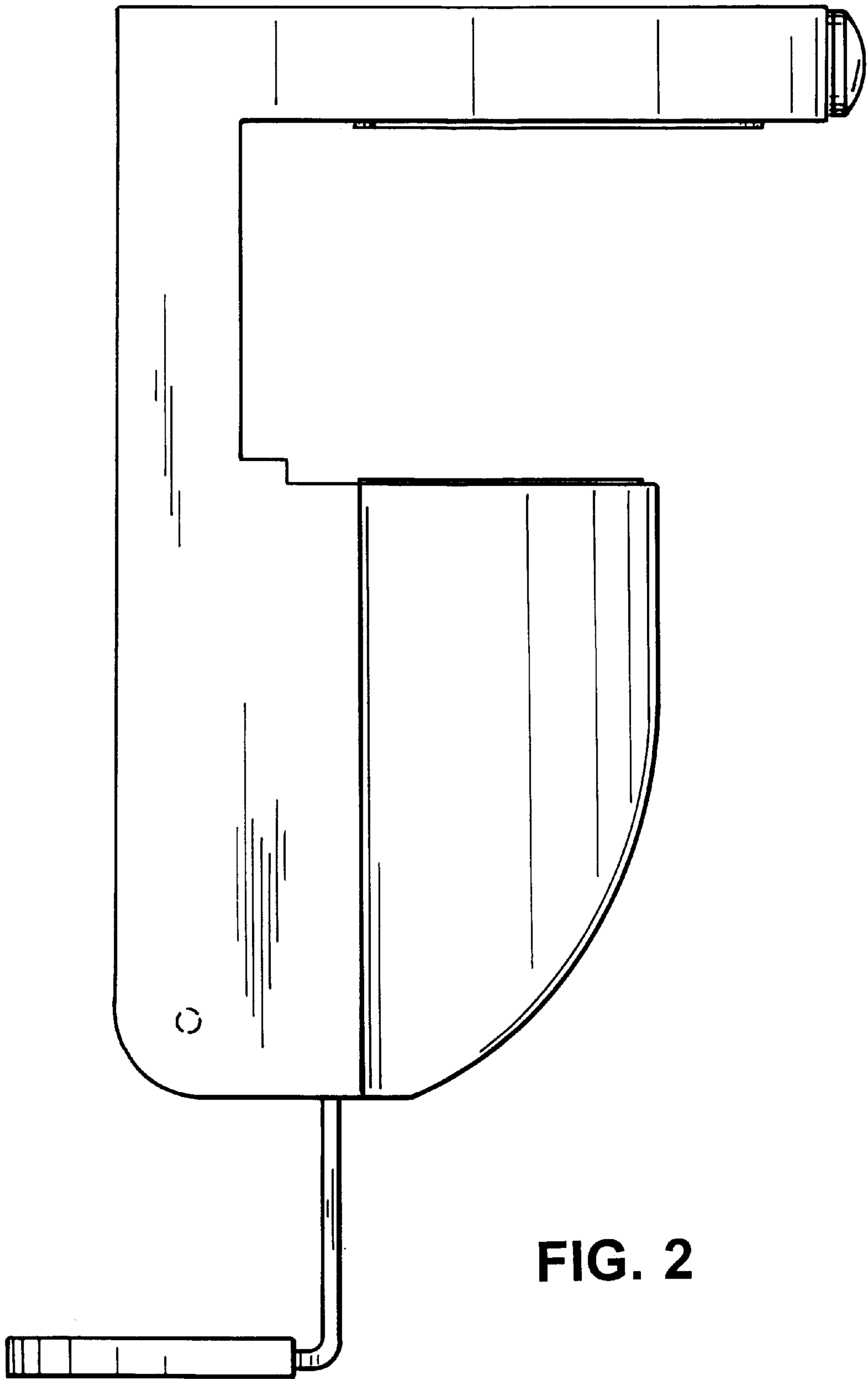


FIG. 2

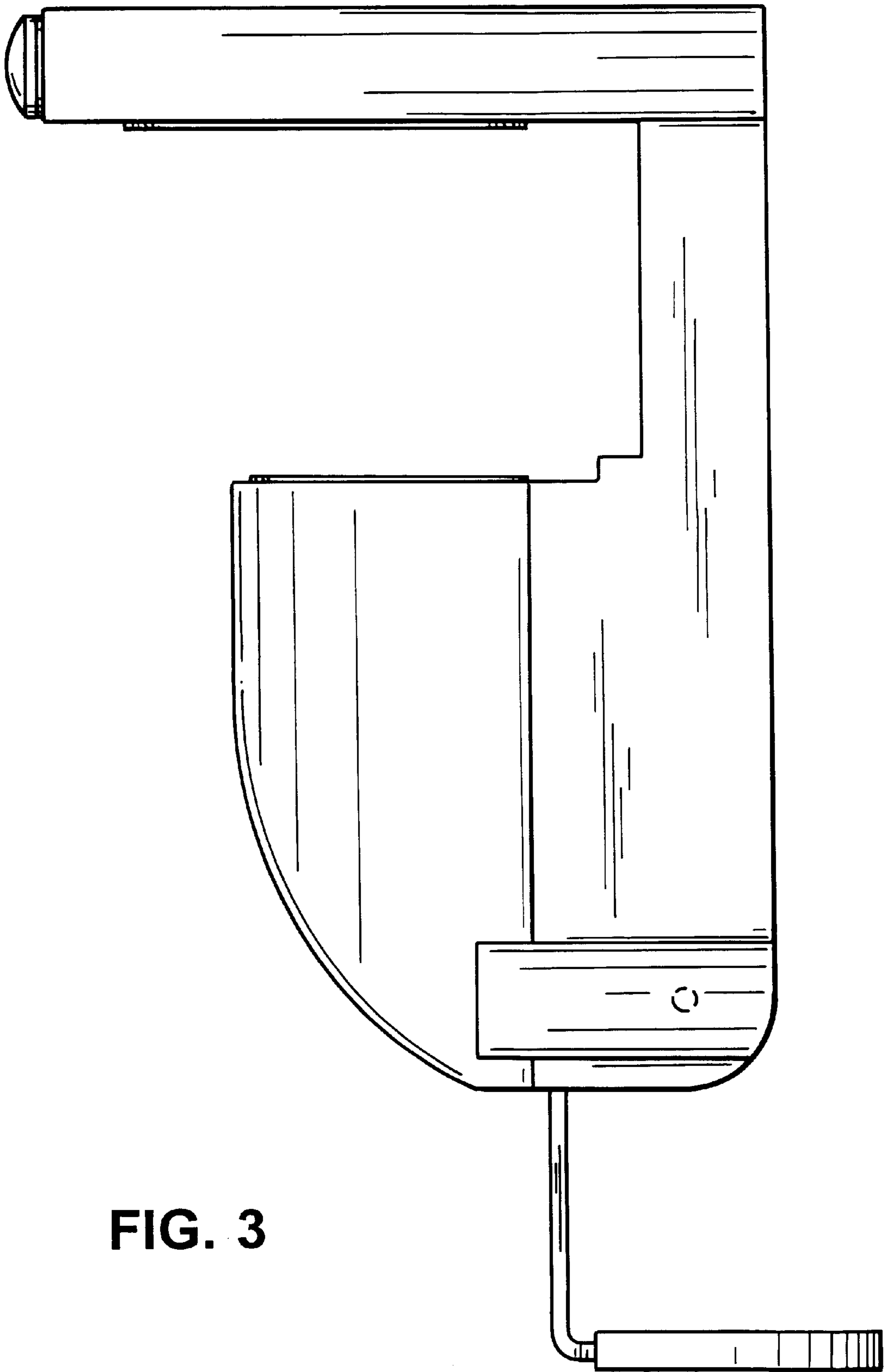


FIG. 3

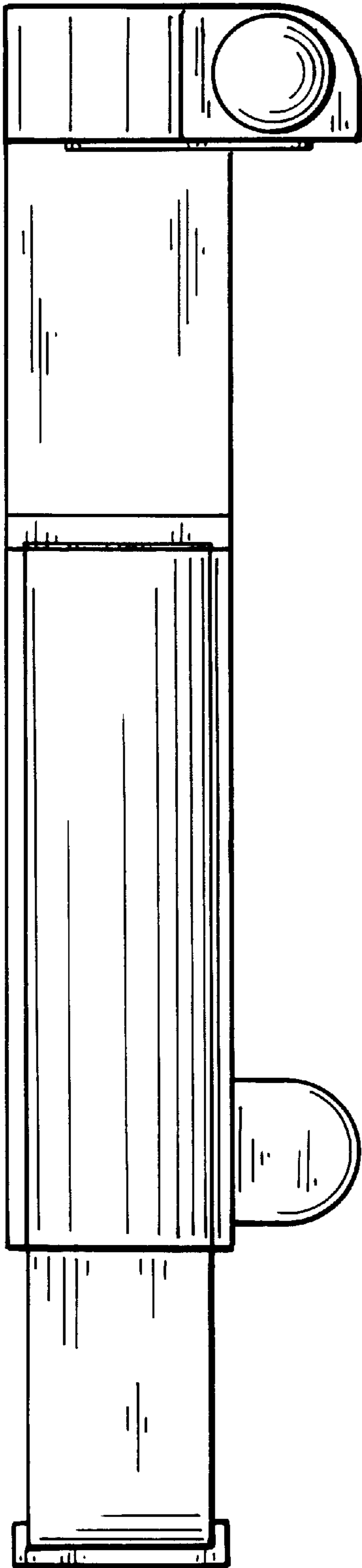


FIG. 4

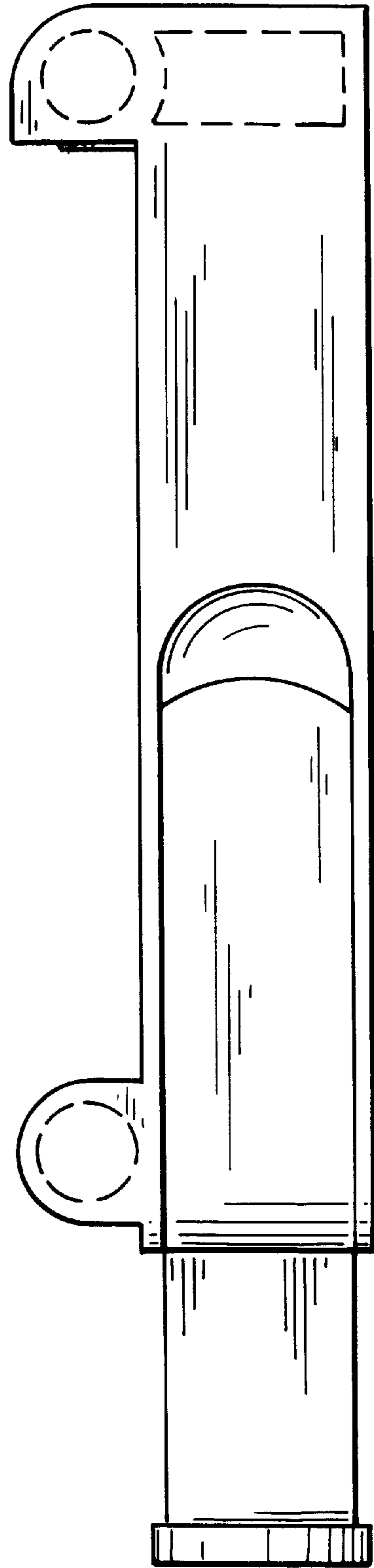


FIG. 5

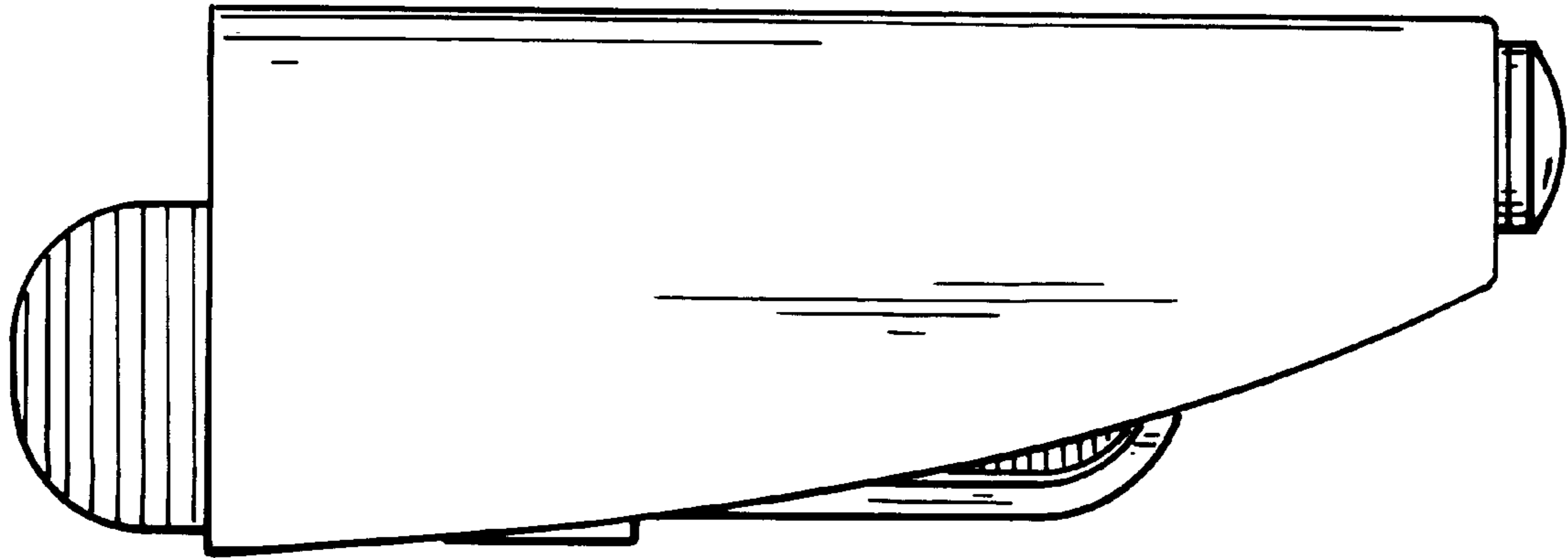


FIG. 6

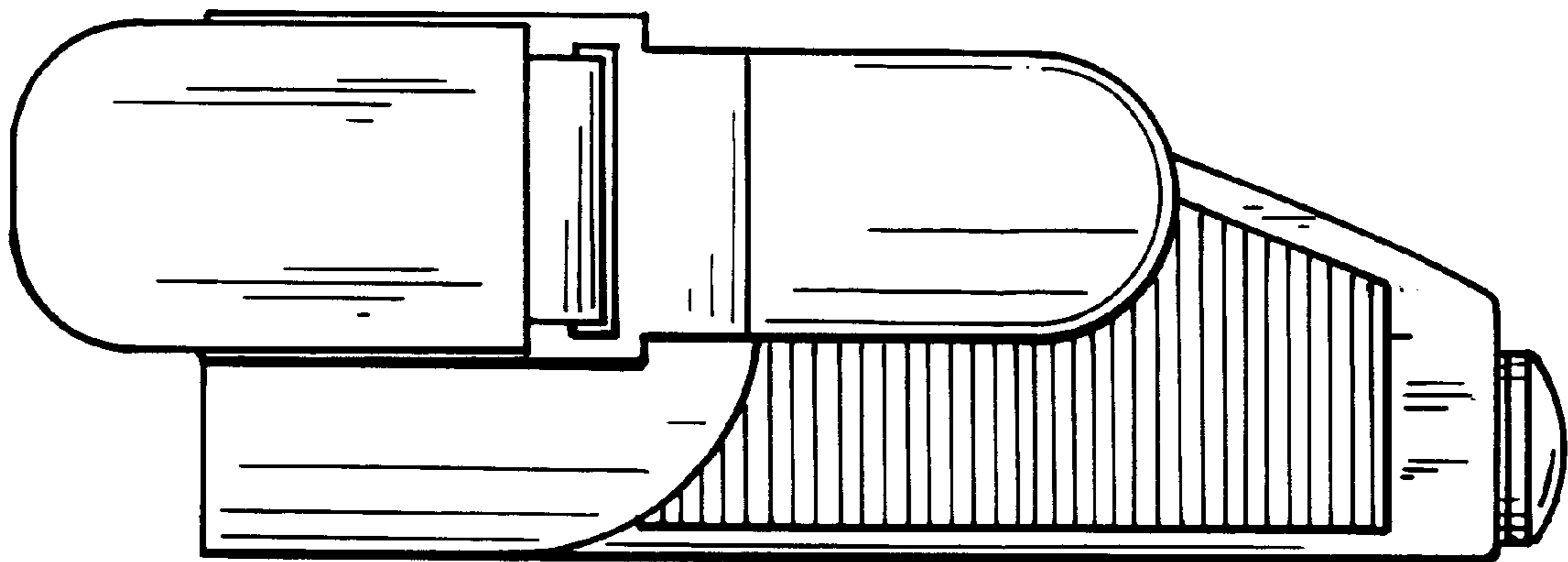


FIG. 7