



US00D413791S

**United States Patent** [19]  
**May**

[11] **Patent Number: Des. 413,791**

[45] **Date of Patent: \*\* Sep. 14, 1999**

[54] **TIGHTENING RING APPARATUS**

3,421,726 1/1969 Getter ..... 410/110  
3,595,125 7/1971 Jacobs ..... 410/106

[76] Inventor: **Aaron May**, 1925 Sleep Hollow Dr.,  
Evansville, Ind. 47720

*Primary Examiner*—Freda Nunn

[\*\*] Term: **14 Years**

[57] **CLAIM**

[21] Appl. No.: **29/070,675**

The ornamental design for a tightening ring apparatus, as shown and described.

[22] Filed: **May 13, 1997**

**DESCRIPTION**

[51] **LOC (6) Cl.** ..... **08-08**

[52] **U.S. Cl.** ..... **D8/387**

[58] **Field of Search** ..... D8/394, 52, 72,  
D8/387, 363, 367; 72/479, 409.13; 81/9.3;  
294/15; 411/378, 381, 395, 441; 410/110,  
106; 296/43; 29/432; D13/132; 439/479

FIG. 1 is a front elevational view of a tightening ring showing my new design;  
FIG. 2 is a back elevational view thereof;  
FIG. 3 is a left side elevational view thereof;  
FIG. 4 is a right side elevational view thereof;  
FIG. 5 is a top plan view thereof;  
FIG. 6 is a bottom plan view thereof; and,  
FIG. 7 is a front elevational view thereof showing the ring in the operative state the broken lines are shown for illustrative purposes only and form no part of the claimed design.

[56] **References Cited**

**U.S. PATENT DOCUMENTS**

D. 31,861 11/1899 Copeland ..... D13/132 X  
D. 88,176 11/1932 Rosenberg ..... D8/387  
3,036,286 5/1962 Gorc et al. .... 439/479

**1 Claim, 3 Drawing Sheets**

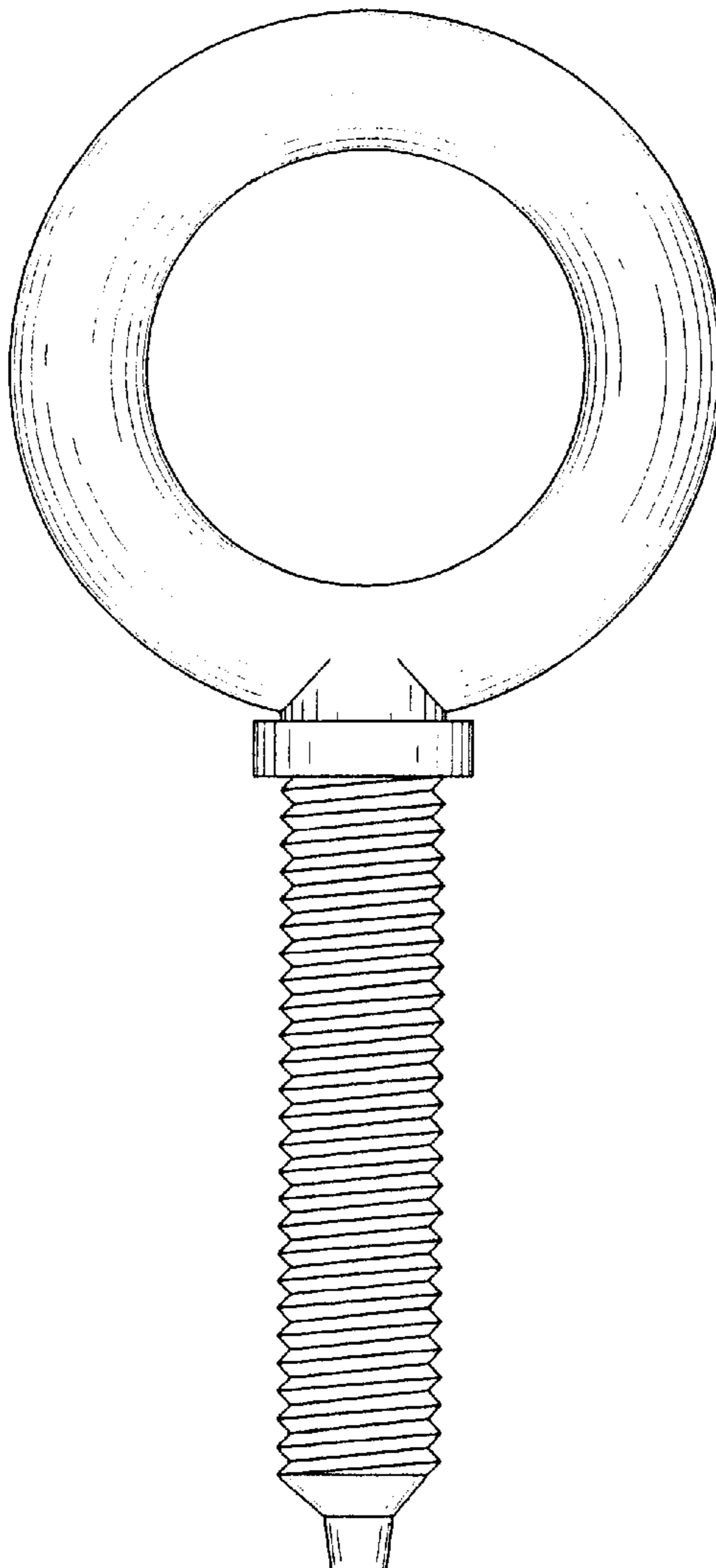


FIG. 1

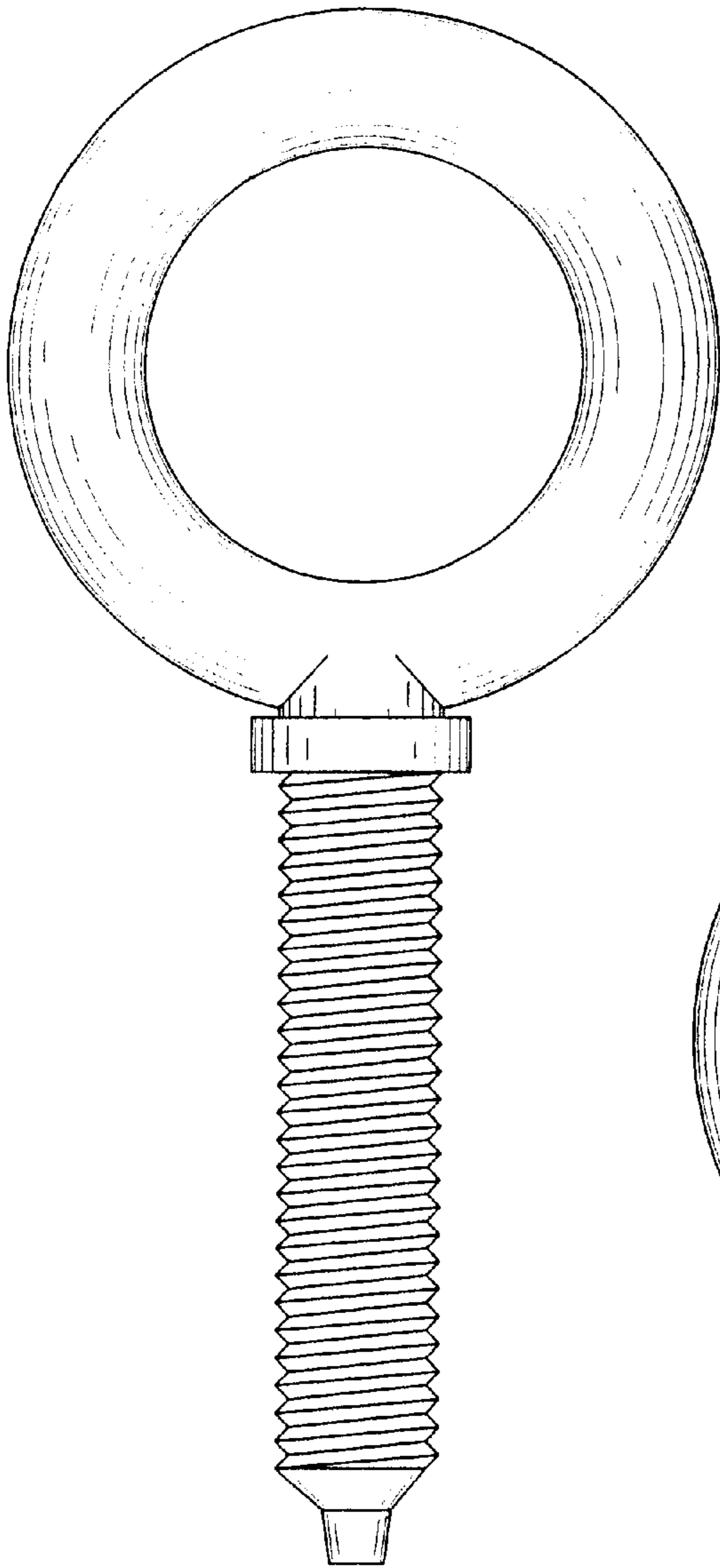


FIG. 2

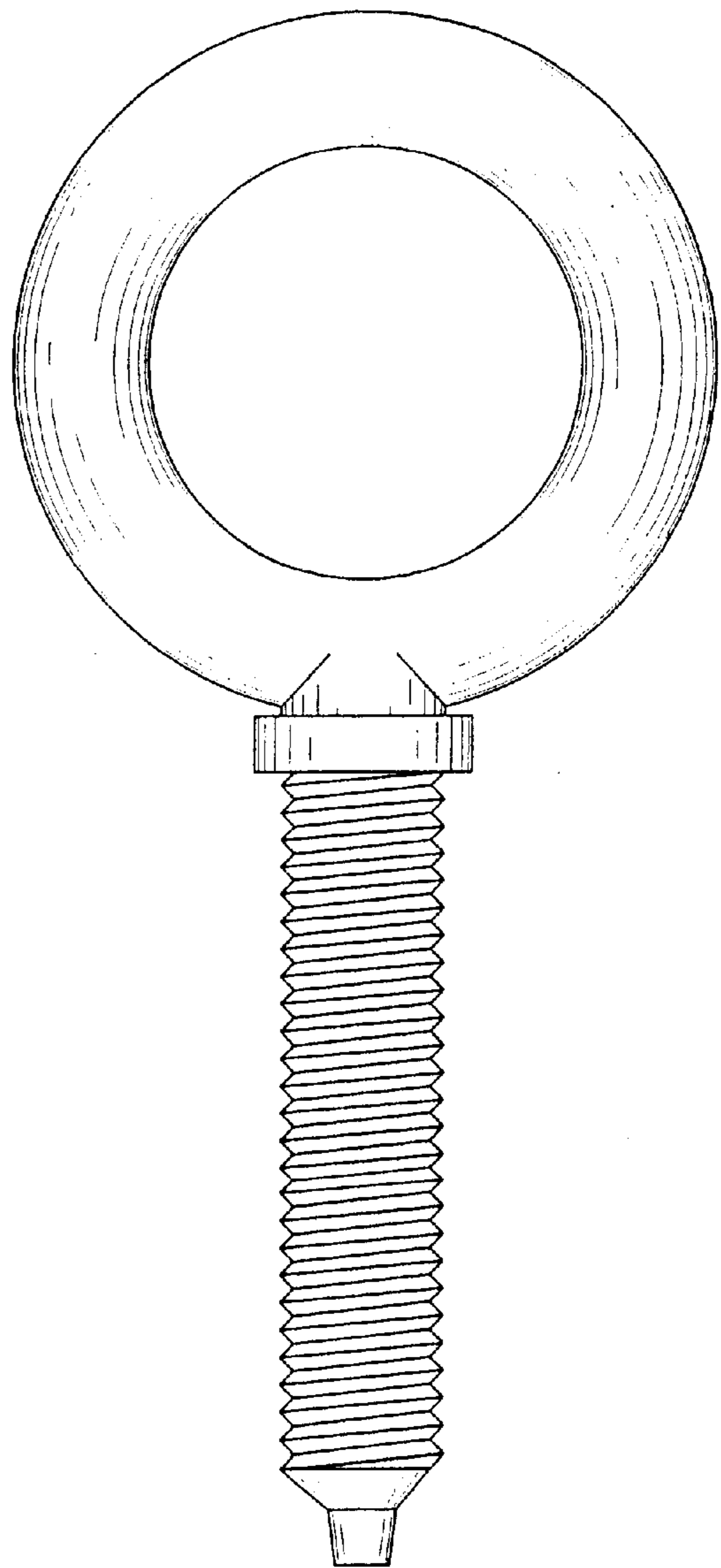


FIG. 3

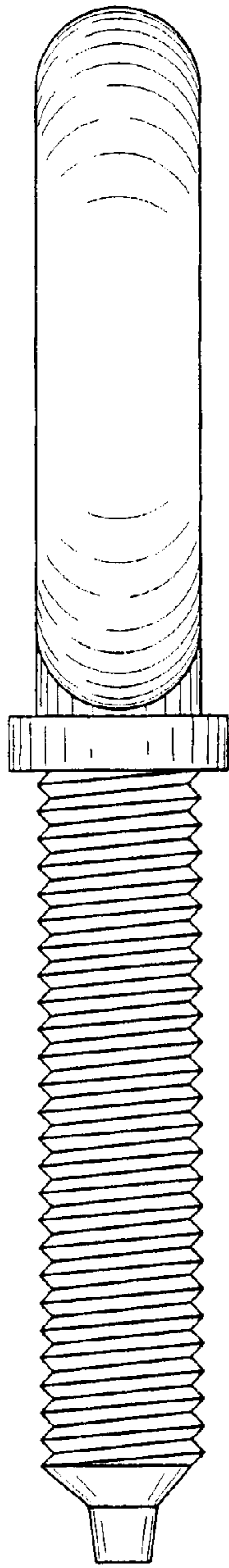


FIG. 4

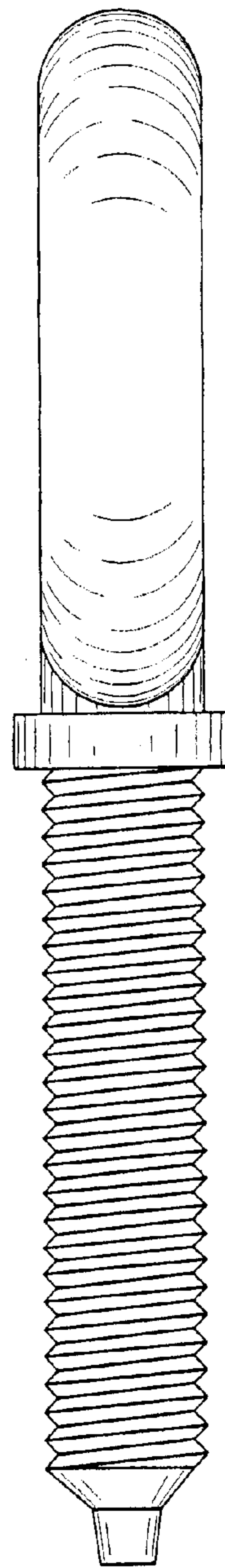


FIG. 5

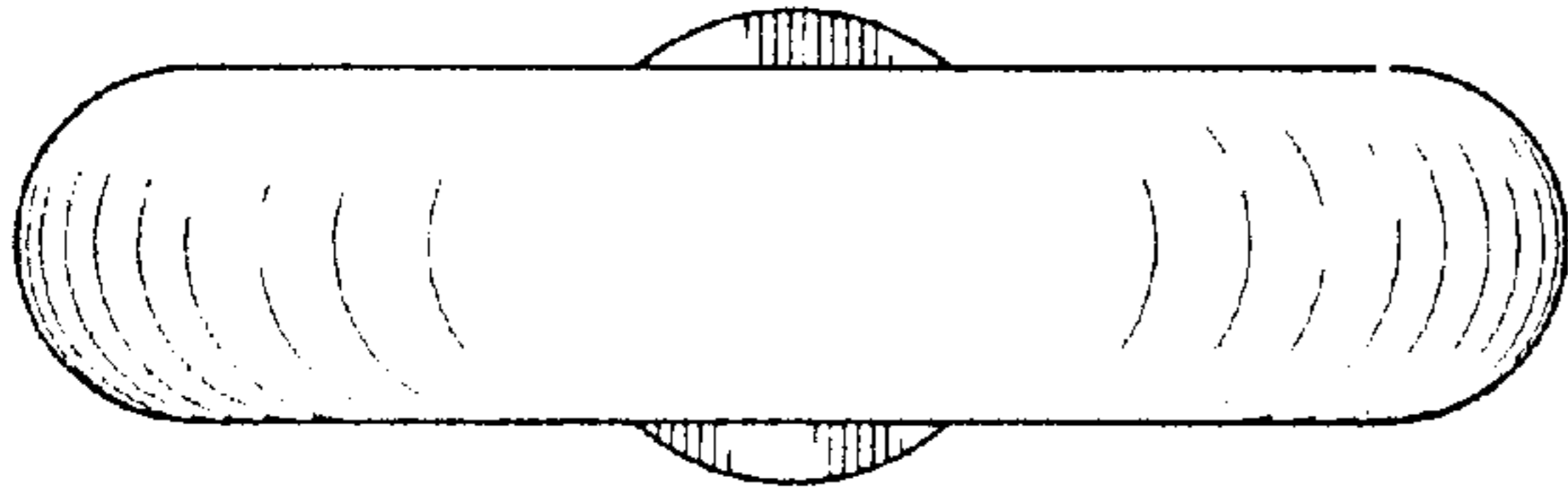


FIG. 6

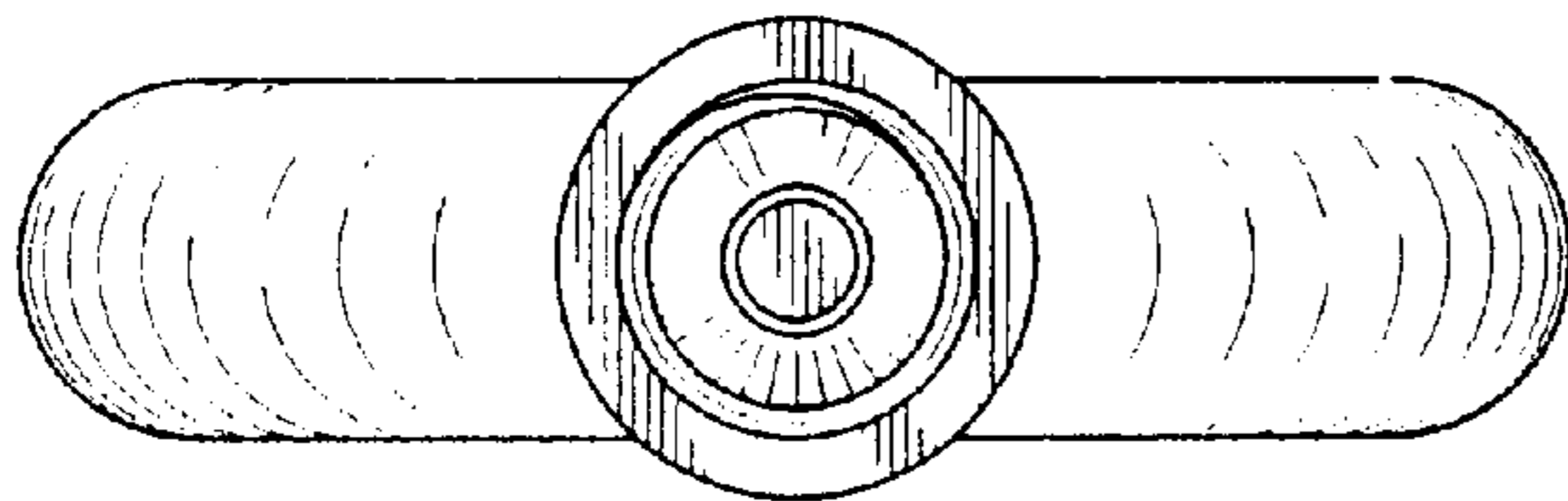


FIG. 7

