



US00D413789S

**United States Patent** [19]  
**Striebel**

[11] **Patent Number: Des. 413,789**

[45] **Date of Patent: \*\* Sep. 14, 1999**

[54] **SNAP HOOK**

[75] Inventor: **Roman F. Striebel**, Duxbury, Mass.

[73] Assignee: **Suncor Stainless, Inc.**, Pembroke, Mass.

[\*\*] Term: **14 Years**

[21] Appl. No.: **29/096,181**

[22] Filed: **Nov. 6, 1998**

[51] **LOC (6) Cl.** ..... **17-99**

[52] **U.S. Cl.** ..... **D8/367**

[58] **Field of Search** ..... D8/382, 367; 24/265 H, 24/265 R, 599.8

[56] **References Cited**

**U.S. PATENT DOCUMENTS**

- D. 27,751 10/1897 Pringle ..... D8/382
- D. 28,064 12/1897 Hubbard ..... D8/382
- D. 365,978 1/1996 Rekuc et al. .... D8/367

**OTHER PUBLICATIONS**

I-Fuui Enterprise Brochure, p. 8, snap hook item art zn-200 located at bottom of page, Aug. 1995.

*Primary Examiner*—Holly Baynham

*Attorney, Agent, or Firm*—Perkins, Smith & Cohen, LLP; Jacob N. Erlich; Jerry Cohen

[57] **CLAIM**

The ornamental design for a snap hook, as shown and described.

**DESCRIPTION**

FIG. 1 is a first side view showing my new design of a snap hook;

FIG. 2 is a second side view showing my new design of a snap hook taken on a side opposite the side shown in FIG. 1;

FIG. 3 is a front view of my new design of a snap hook;

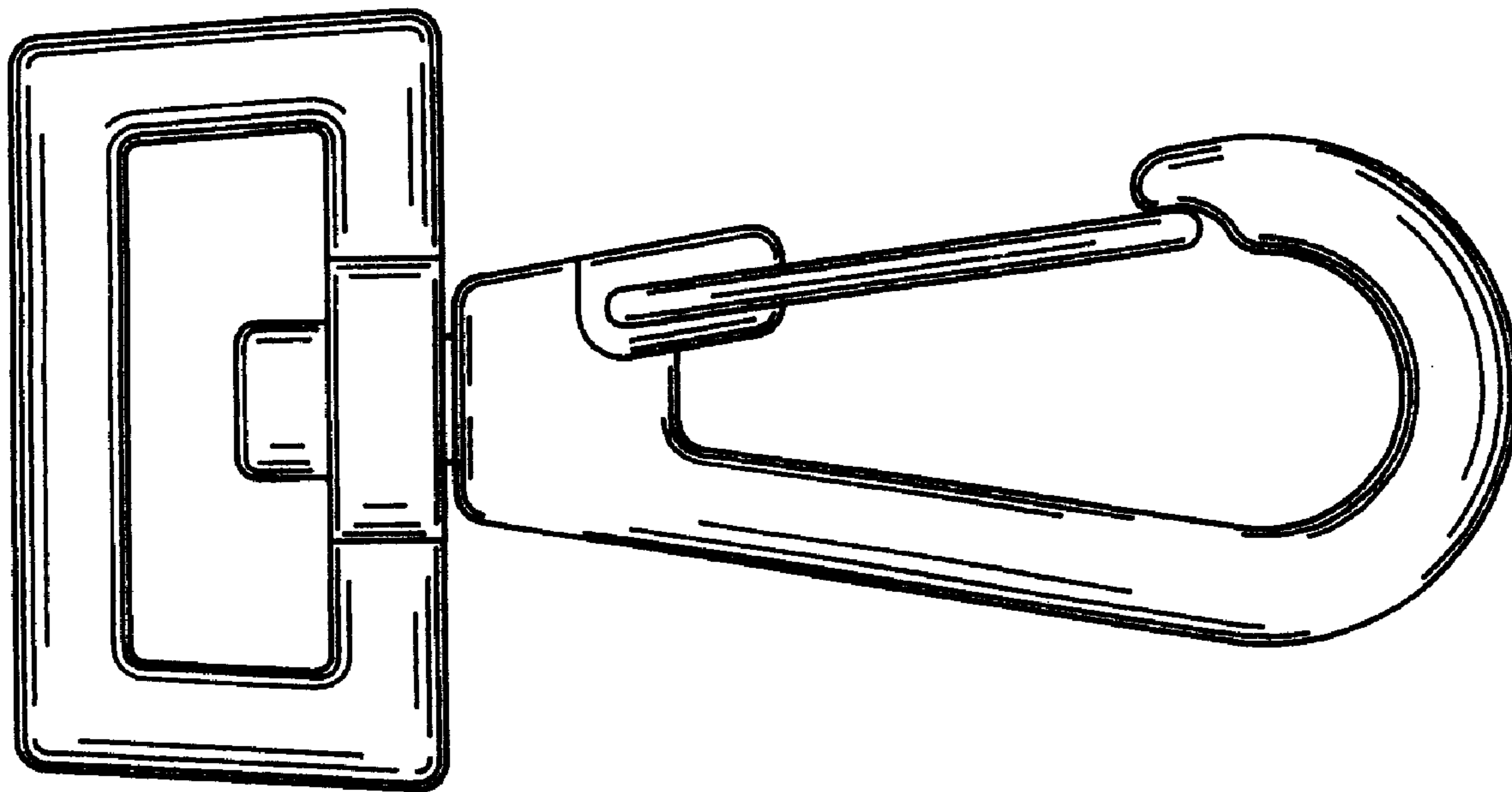
FIG. 4 is an end view of my new design of a snap hook;

FIG. 5 is a bottom view of my new design of a snap hook;

FIG. 6 is a top view of my new design of a snap hook; and,

FIG. 7 is a pictorial view of my new design of a snap hook.

**1 Claim, 1 Drawing Sheet**



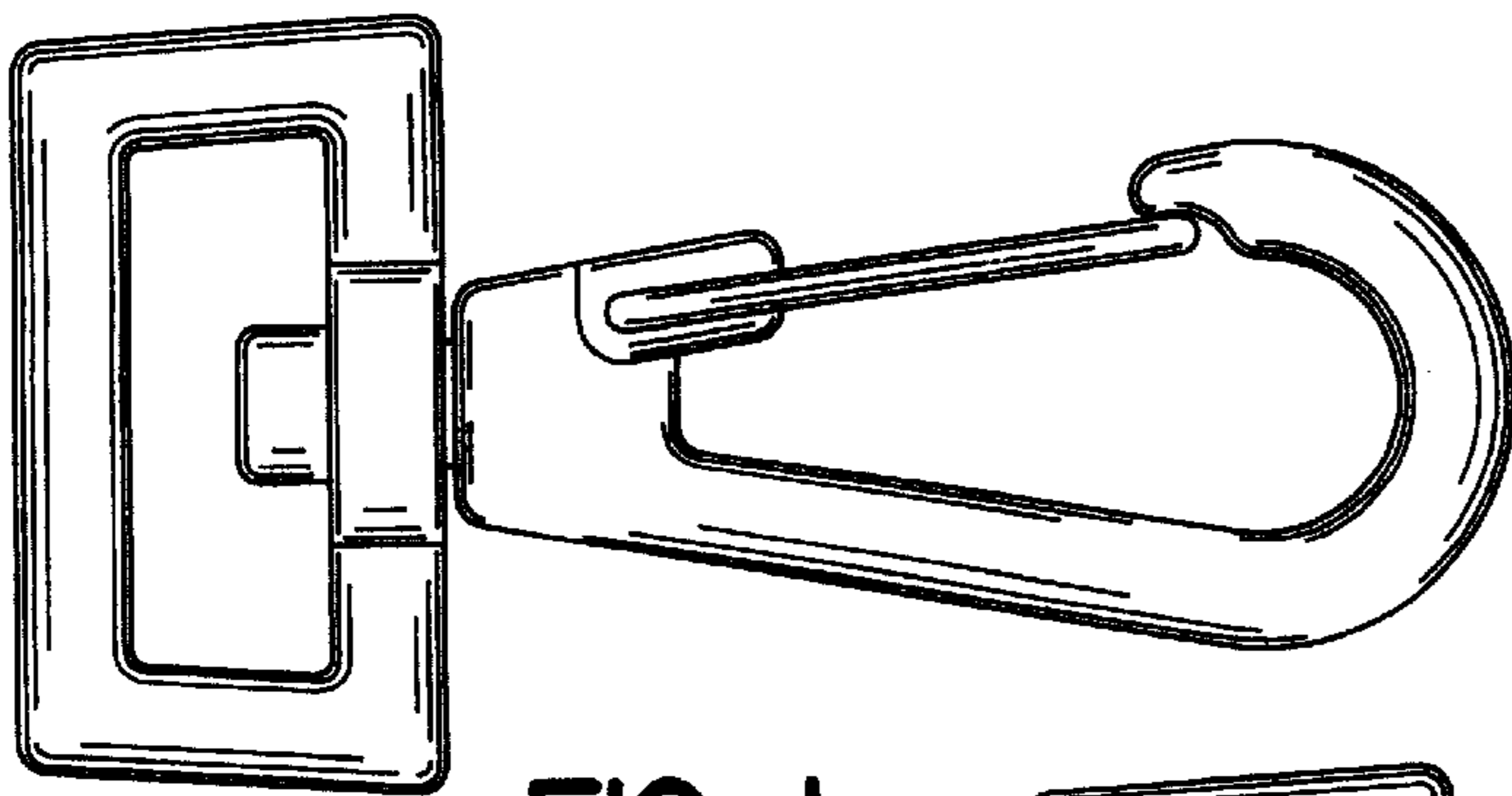


FIG. 1

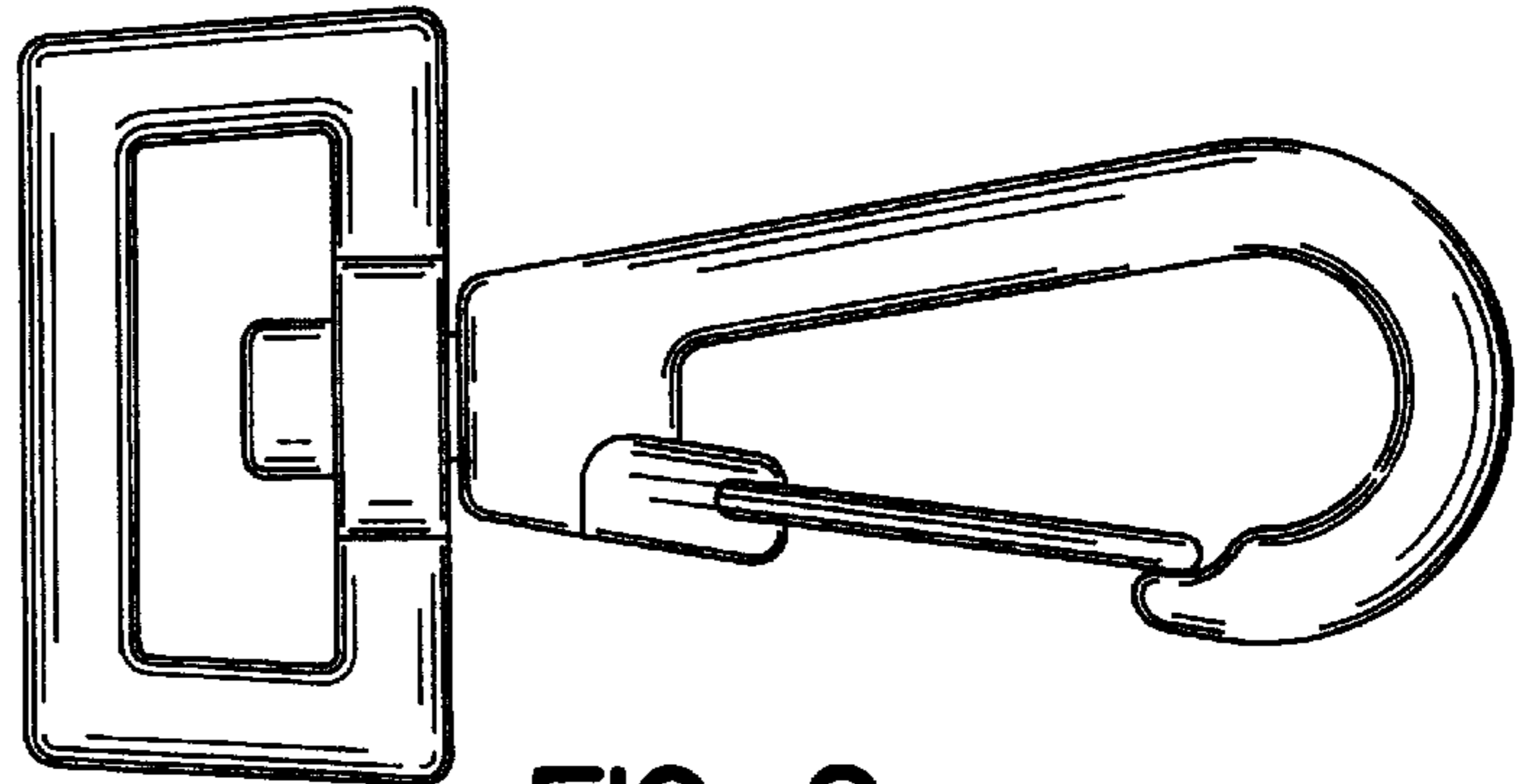


FIG. 2

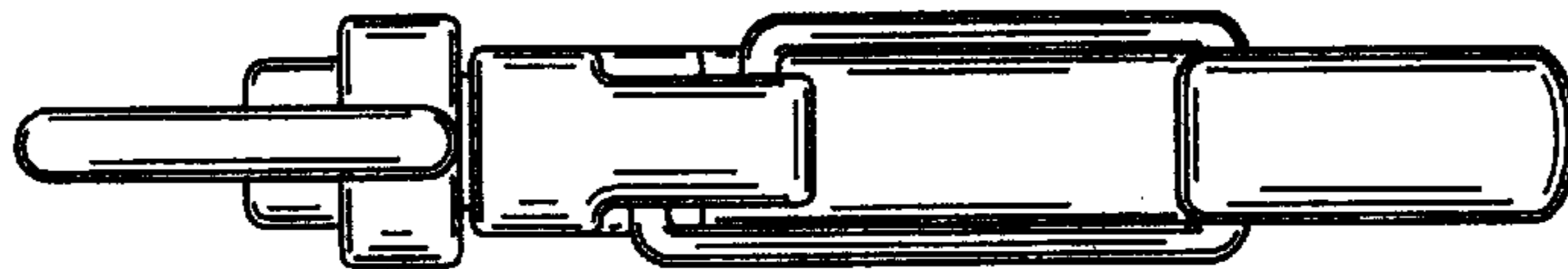


FIG. 3



FIG. 4



FIG. 5



FIG. 6

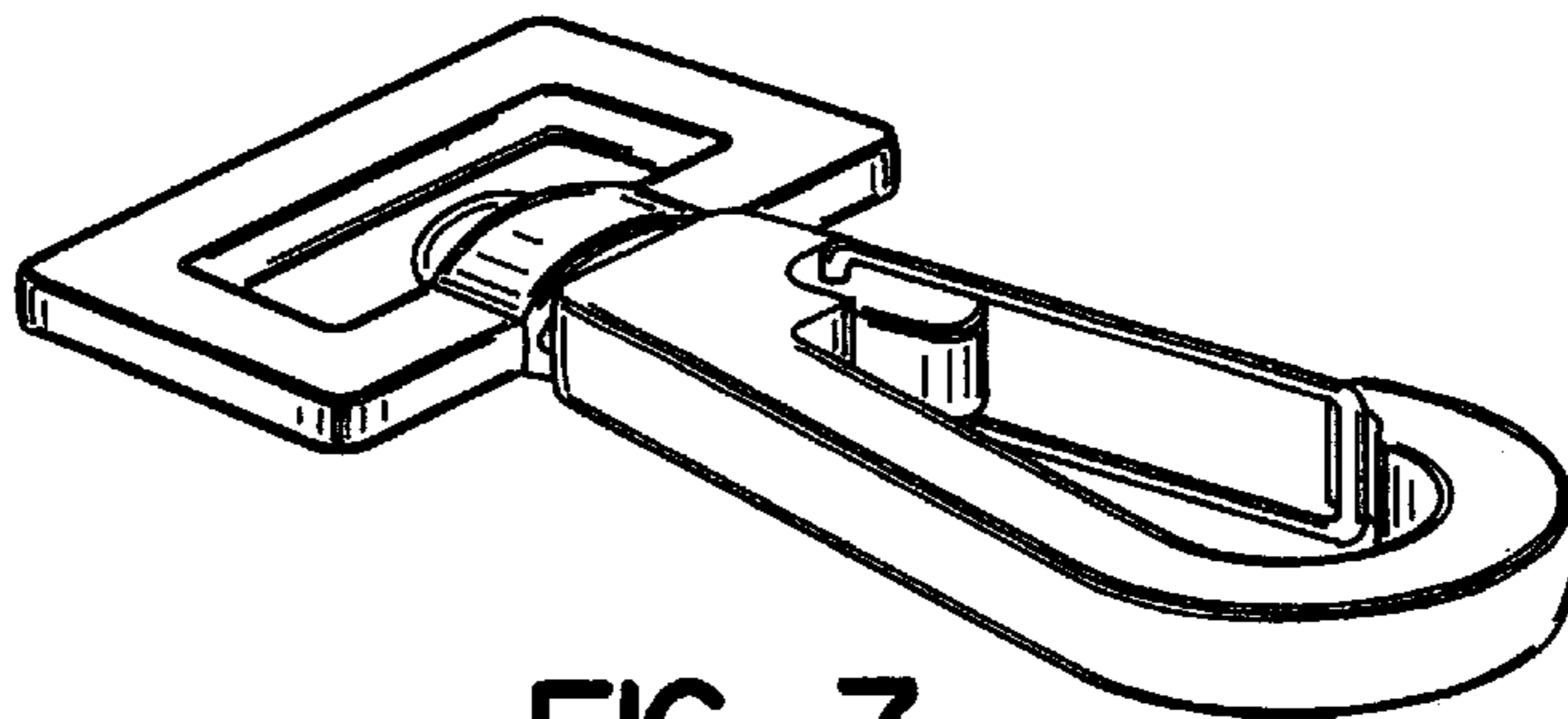


FIG. 7