



US00D413787S

United States Patent [19]

Kuo

[11] **Patent Number: Des. 413,787**

[45] **Date of Patent: ** Sep. 14, 1999**

[54] **MOUNT FOR A SUPPORT**

[76] Inventor: **Kuo-Yung Kuo**, No. 1, Alley 85, Lane 816, Chung-Shan Rd., Shen-Kang Hsiang, Taichung Hsien, Taiwan

[**] Term: **14 Years**

[21] Appl. No.: **29/094,428**

[22] Filed: **Oct. 1, 1998**

[51] **LOC (6) Cl.** **08-05**

[52] **U.S. Cl.** **D8/363**

[58] **Field of Search** D8/363; 248/250, 248/235, 309.1; D6/524

[56] **References Cited**

U.S. PATENT DOCUMENTS

- D. 335,231 5/1993 Bengtson D8/380
- D. 341,191 11/1993 Klose D6/524
- D. 399,727 3/1997 Richter D8/380

Primary Examiner—Holly Baynham

Attorney, Agent, or Firm—Skjerven, Morill, MacPherson, Franklin & Friel LLP; Elaine Lo

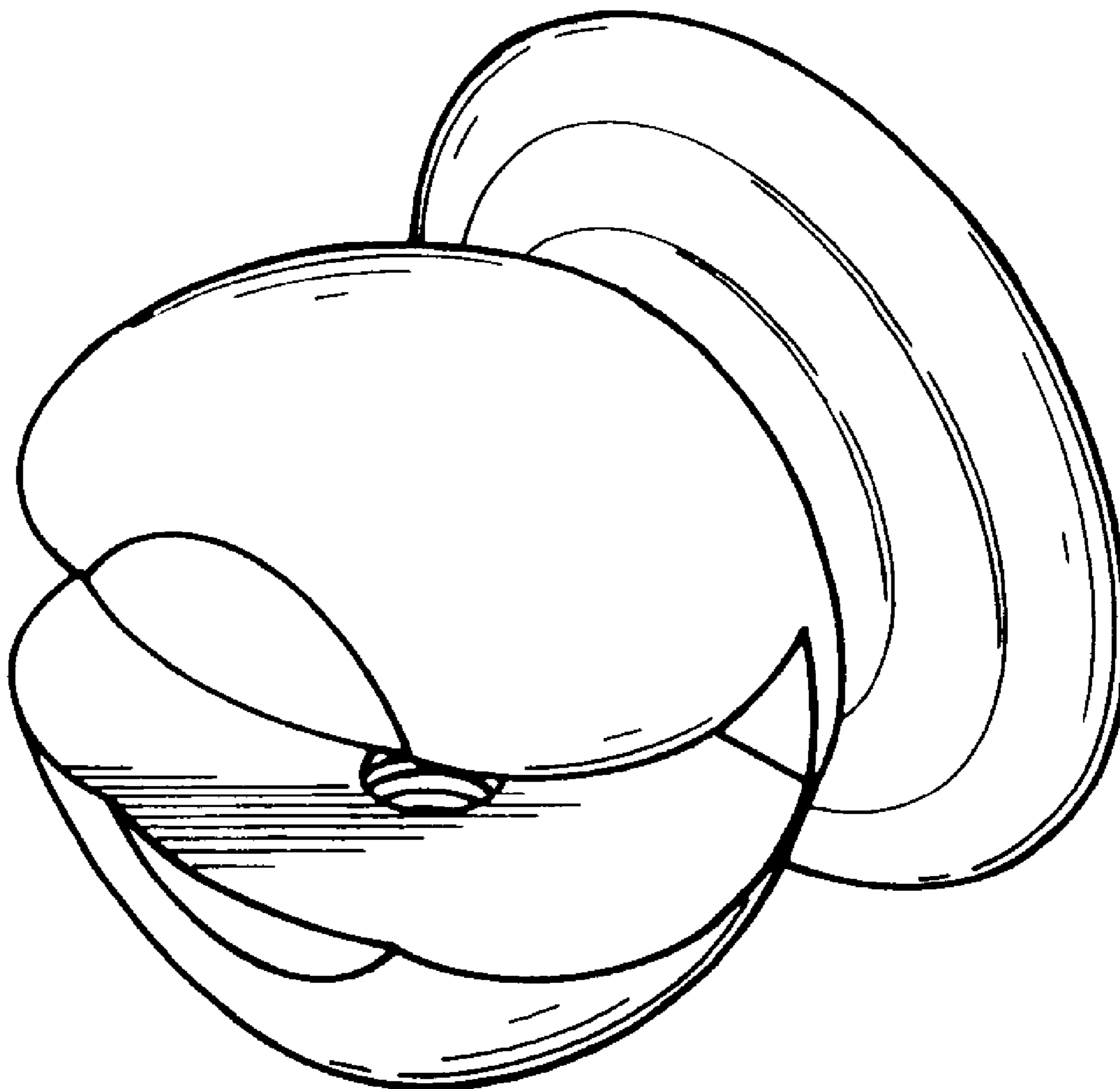
[57] **CLAIM**

The ornamental design for mount for a support, as shown and described.

DESCRIPTION

FIG. 1 is a perspective view of mount for a support showing my new design;
 FIG. 2 is a front elevational view thereof;
 FIG. 3 is a rear elevational view thereof;
 FIG. 4 is a left side elevational view thereof;
 FIG. 5 is a right side elevational view thereof;
 FIG. 6 is a top plan view thereof;
 FIG. 7 is a bottom plan view thereof;
 FIG. 8 is a perspective view illustrating a first mode of use thereof;
 FIG. 9 is a perspective view illustrating a second mode of use thereof; and,
 FIG. 10 is a perspective view illustrating a third mode of use thereof.

1 Claim, 6 Drawing Sheets



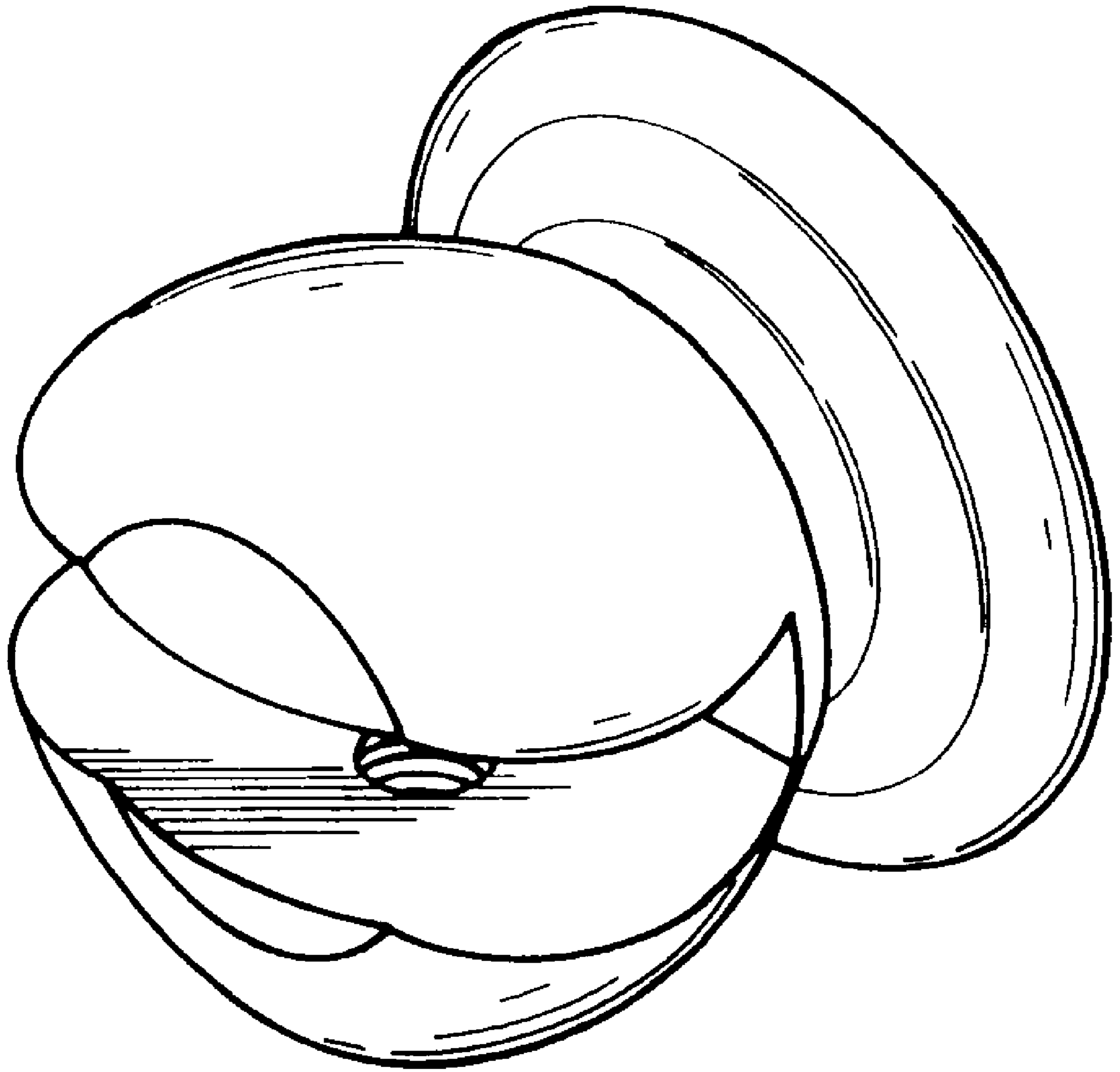


FIG. 1

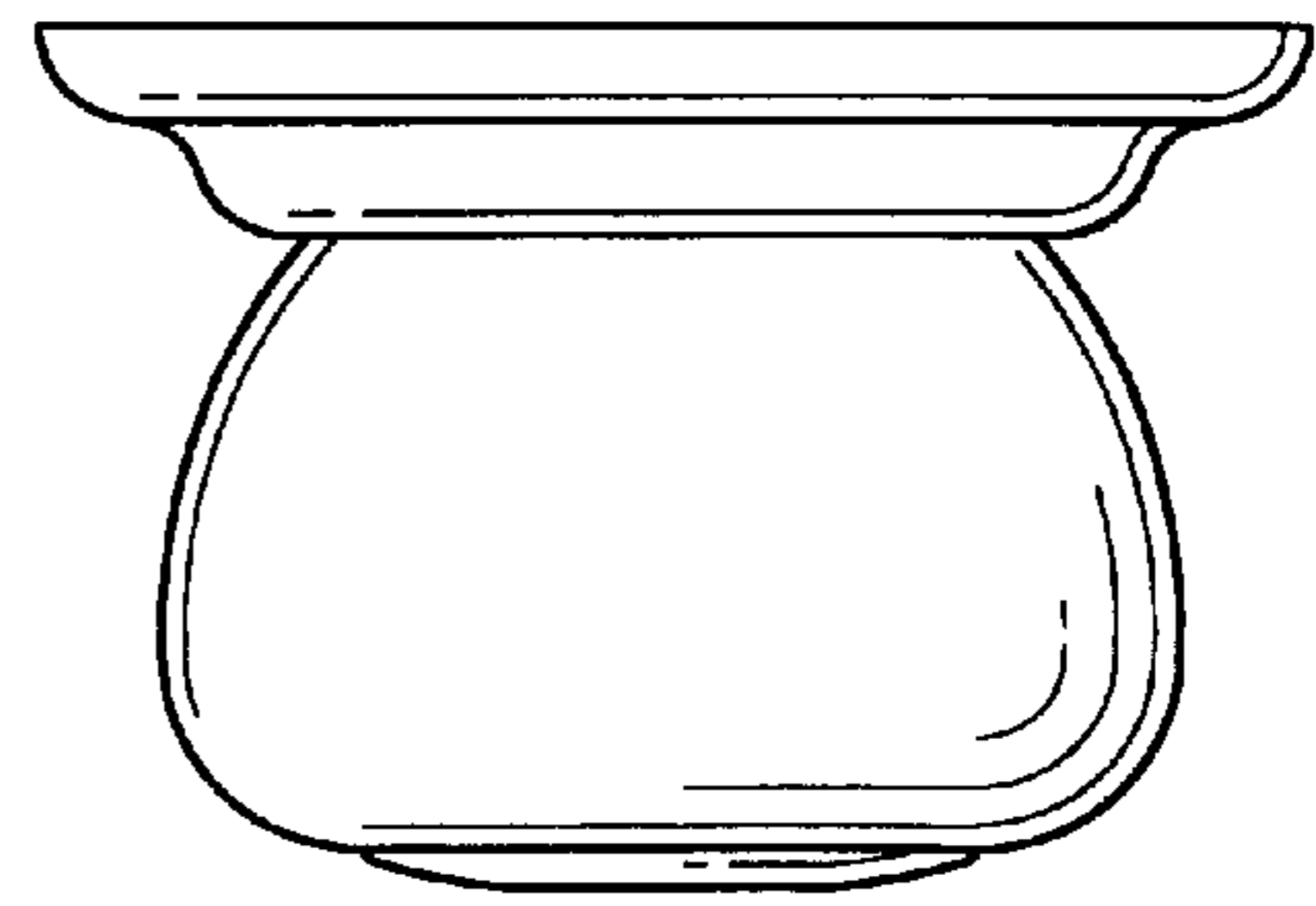


FIG. 6

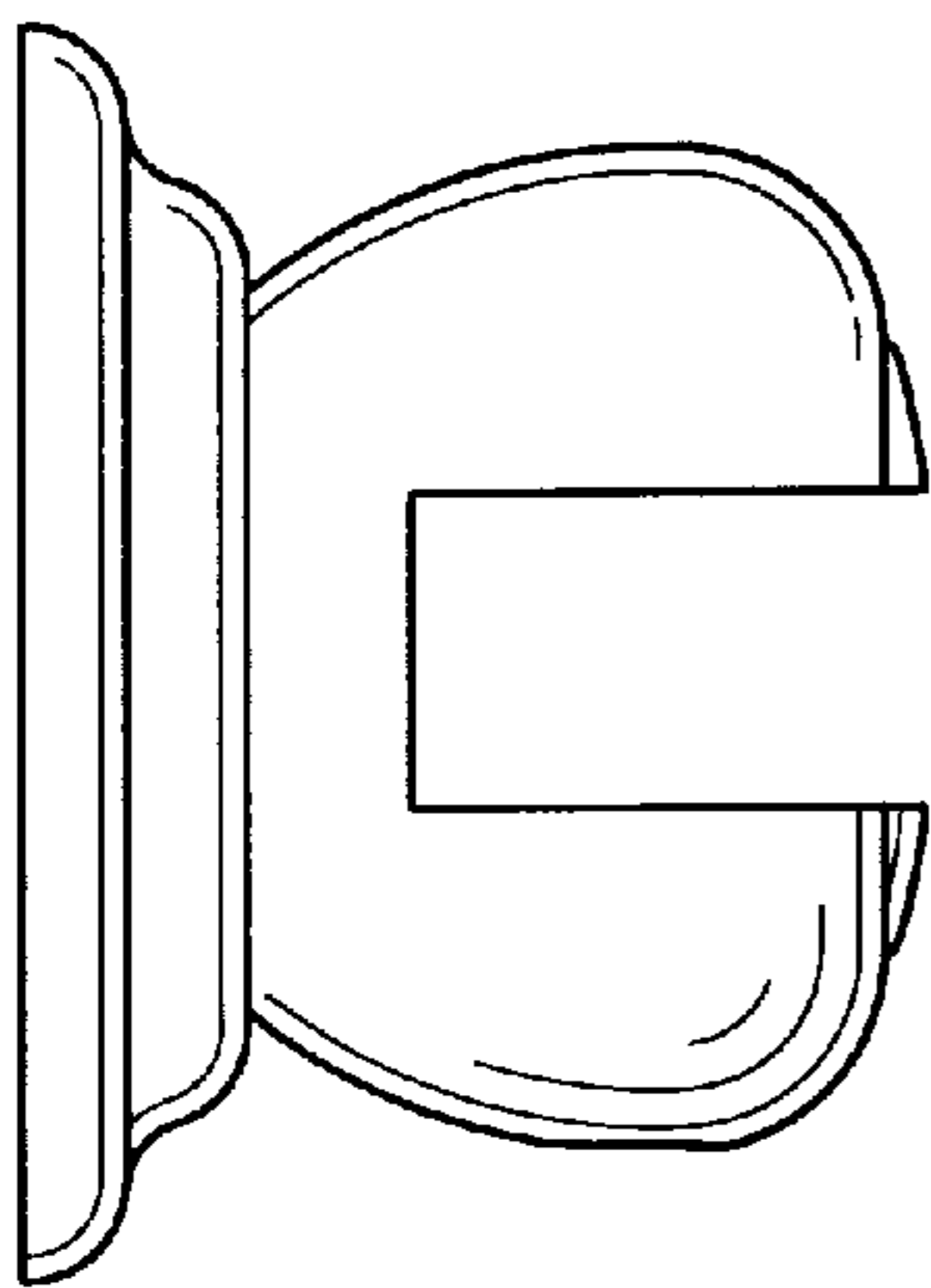


FIG. 4

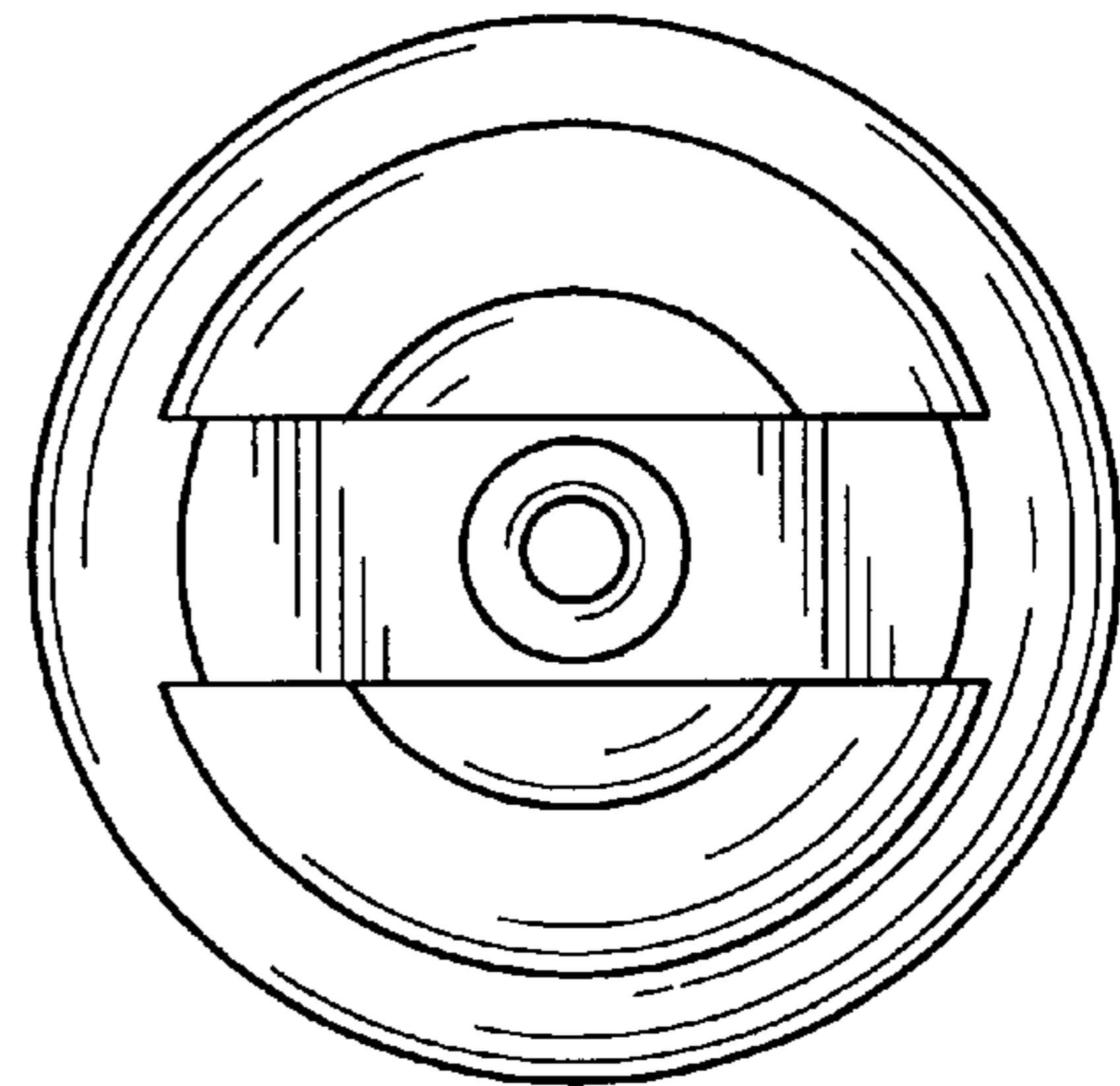


FIG. 2

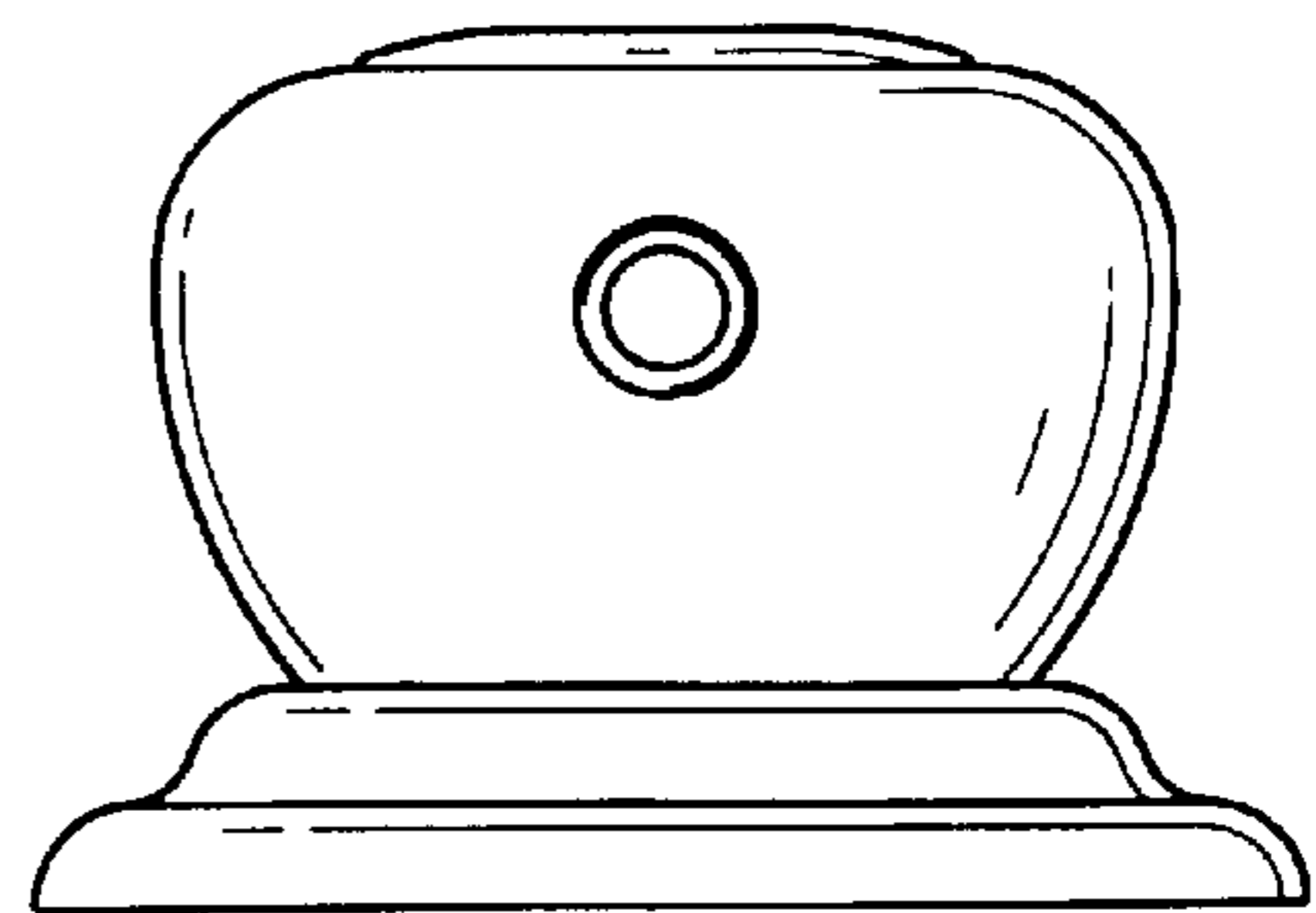


FIG. 7

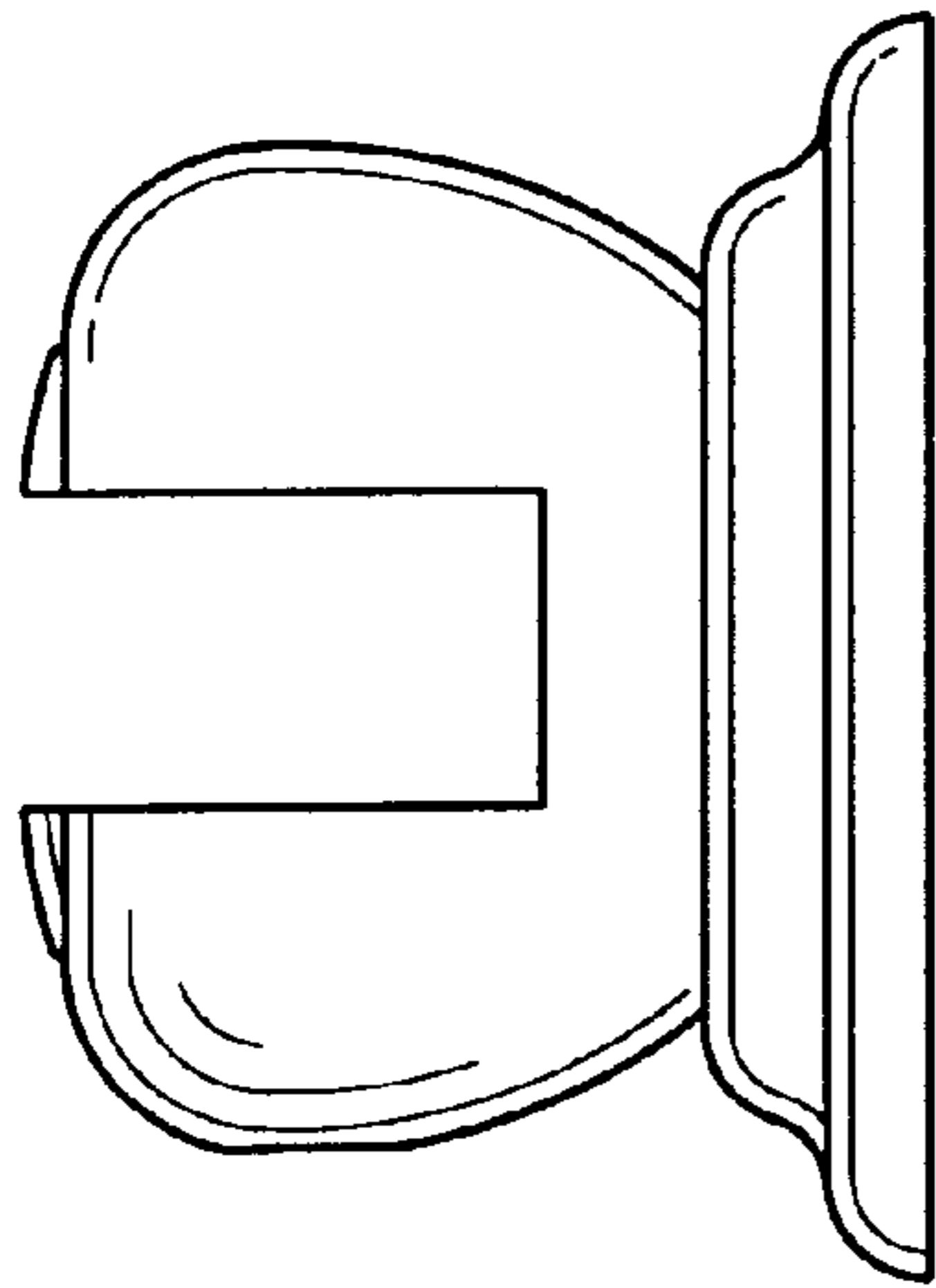


FIG. 5

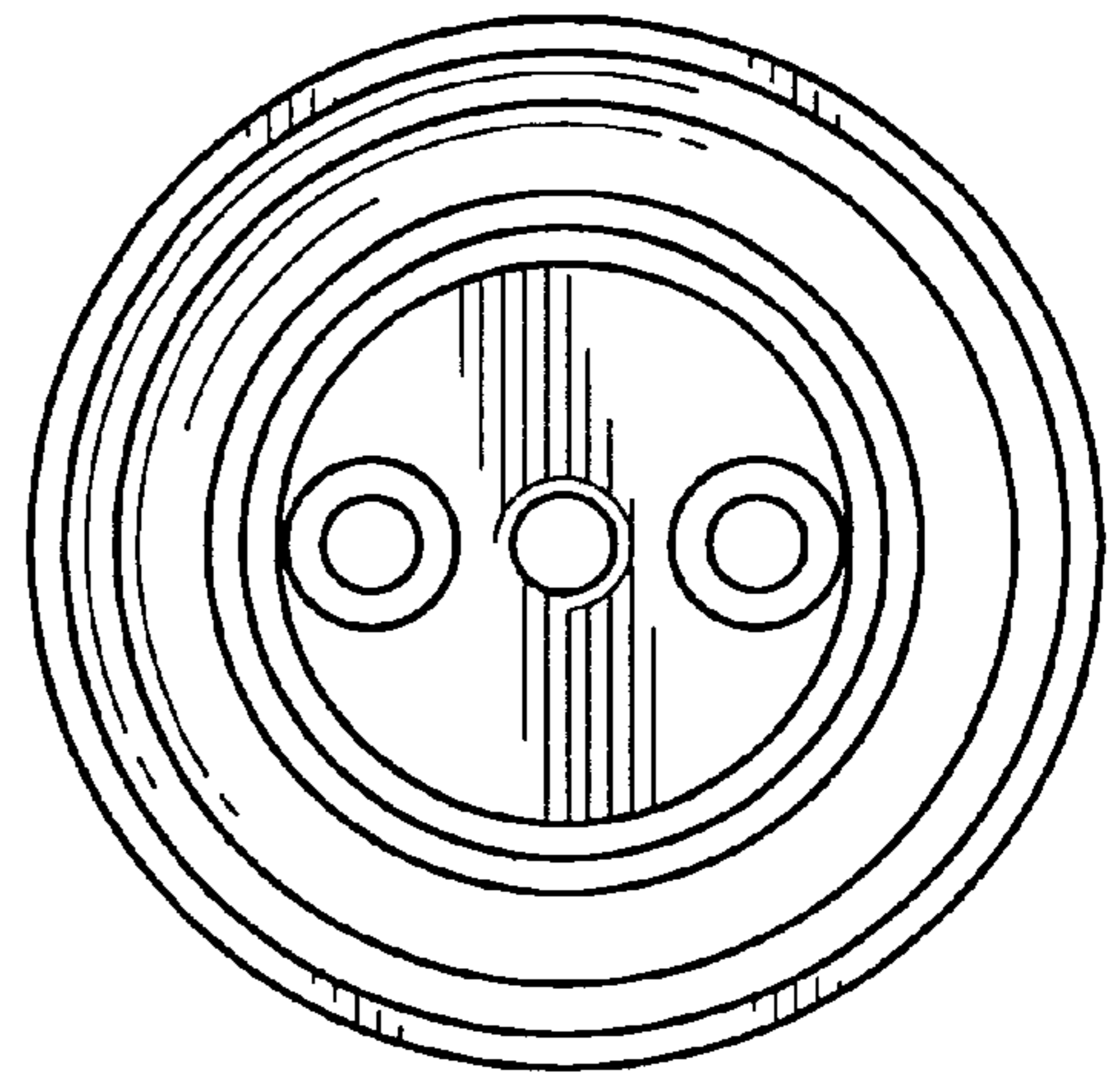


FIG. 3

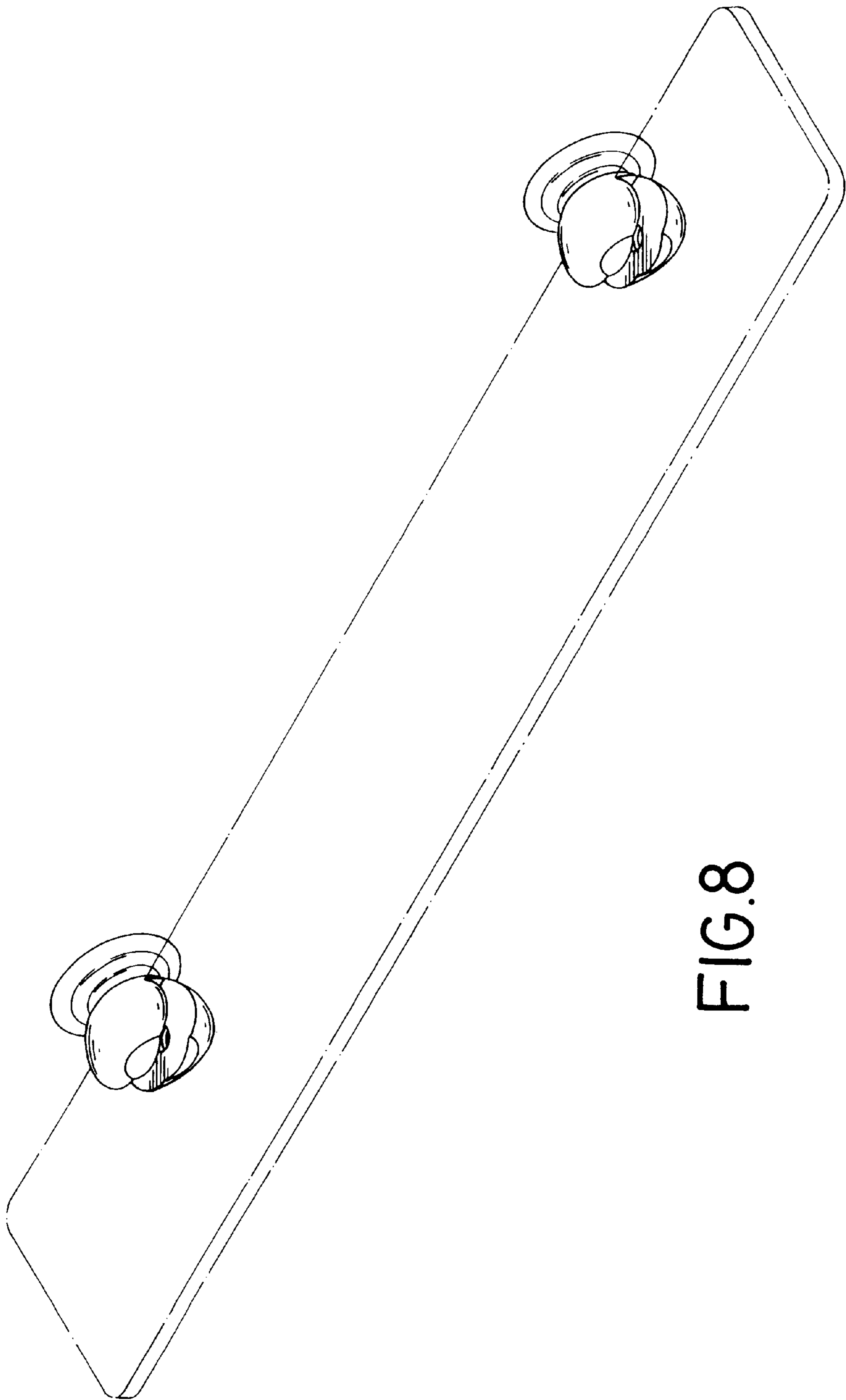


FIG. 8

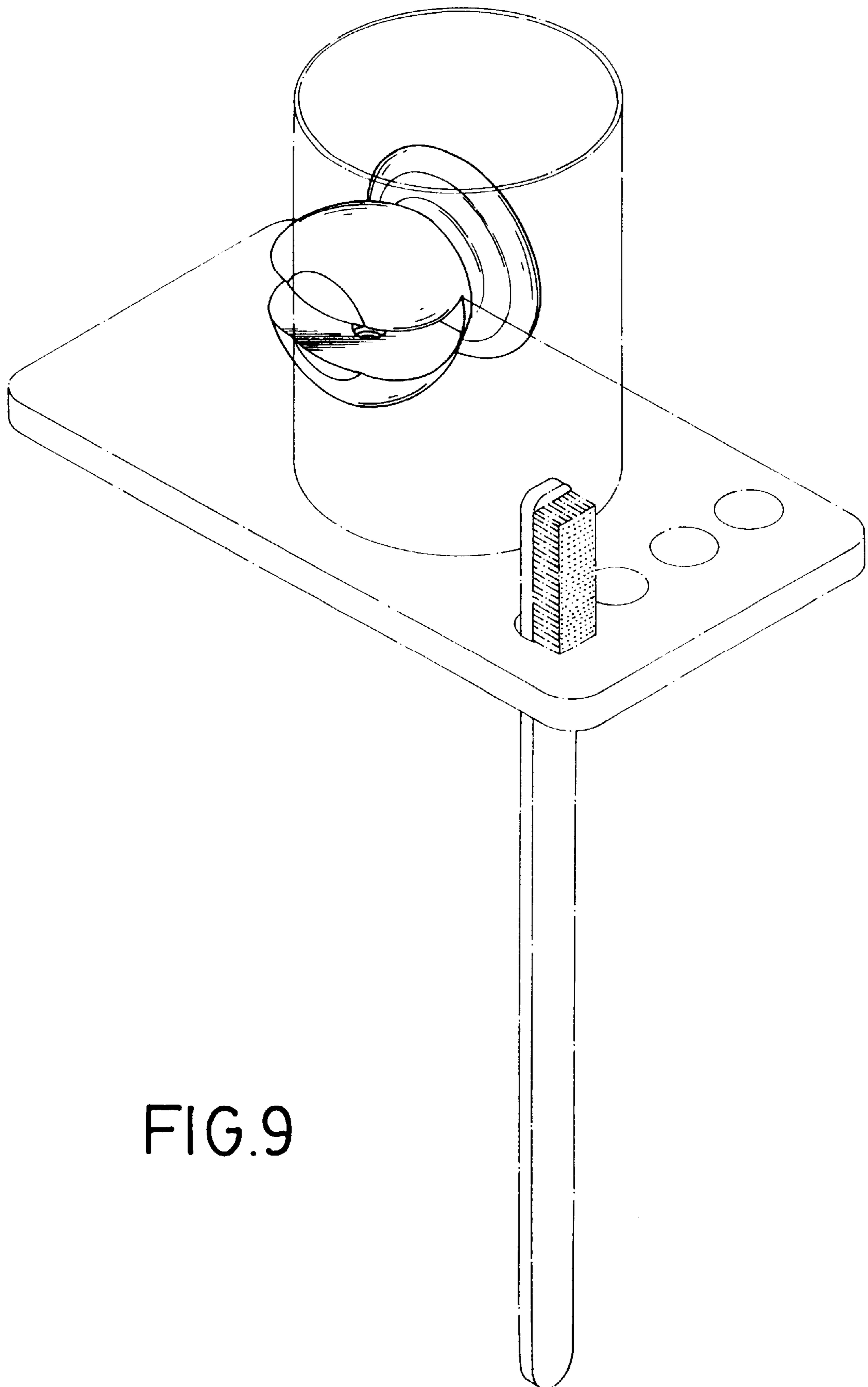


FIG.9

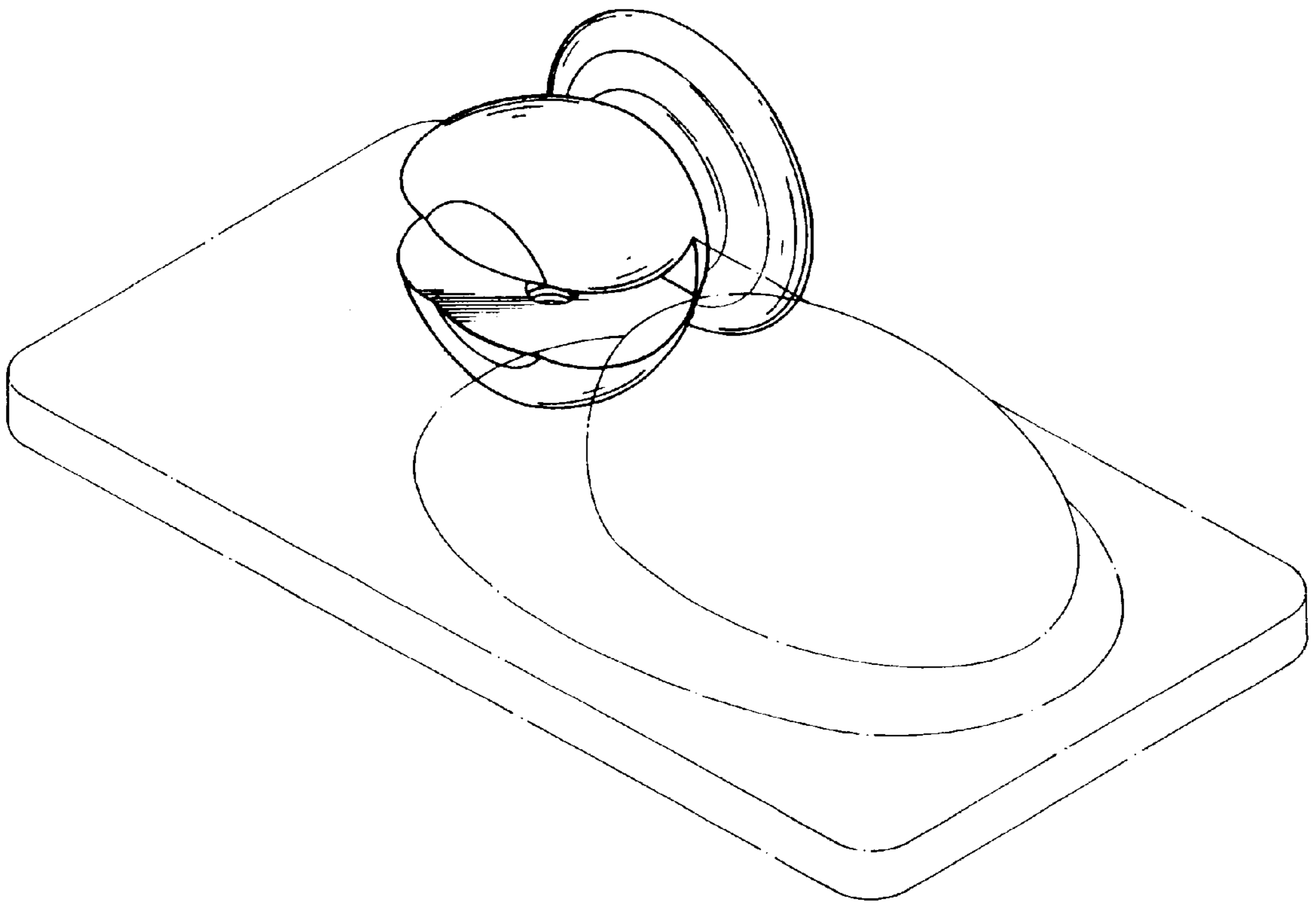


FIG.10