



US00D413786S

United States Patent [19]
Graham

[11] **Patent Number: Des. 413,786**

[45] **Date of Patent: ** Sep. 14, 1999**

[54] **COMBINED BELAY AND RAPPEL DEVICE**

[76] Inventor: **Dean S. Graham**, 17551 Lemay Pl.,
Van Nuys, Calif. 91406-5326

[**] Term: **14 Years**

[21] Appl. No.: **29/094,163**

[22] Filed: **Sep. 28, 1998**

Related U.S. Application Data

[62] Division of application No. 29/079,452, Nov. 17, 1997.

[51] **LOC (6) Cl.** **08-05**

[52] **U.S. Cl.** **D8/356**

[58] **Field of Search** D8/356; 24/115 H,
24/115 R, 68 CT, 71 CT, 69 WT

[56] **References Cited**

U.S. PATENT DOCUMENTS

D. 297,811 9/1988 Payan D8/356

Primary Examiner—Holly Baynham
Attorney, Agent, or Firm—Kelly Bauersfeld Lowry &
Kelley, LLP

[57] **CLAIM**

The ornamental design for a combined belay and rappel device, as shown.

DESCRIPTION

FIG. 1 is a perspective view showing the top, front and left sides of a combined belay and rappel device embodying my new design;

FIG. 2 is a left side elevational view thereof;

FIG. 3 is a right side elevational view thereof;

FIG. 4 is a rear elevational view thereof;

FIG. 5 is a front elevational view thereof;

FIG. 6 is a top plan view thereof; and,

FIG. 7 is a bottom plan view thereof.

1 Claim, 3 Drawing Sheets

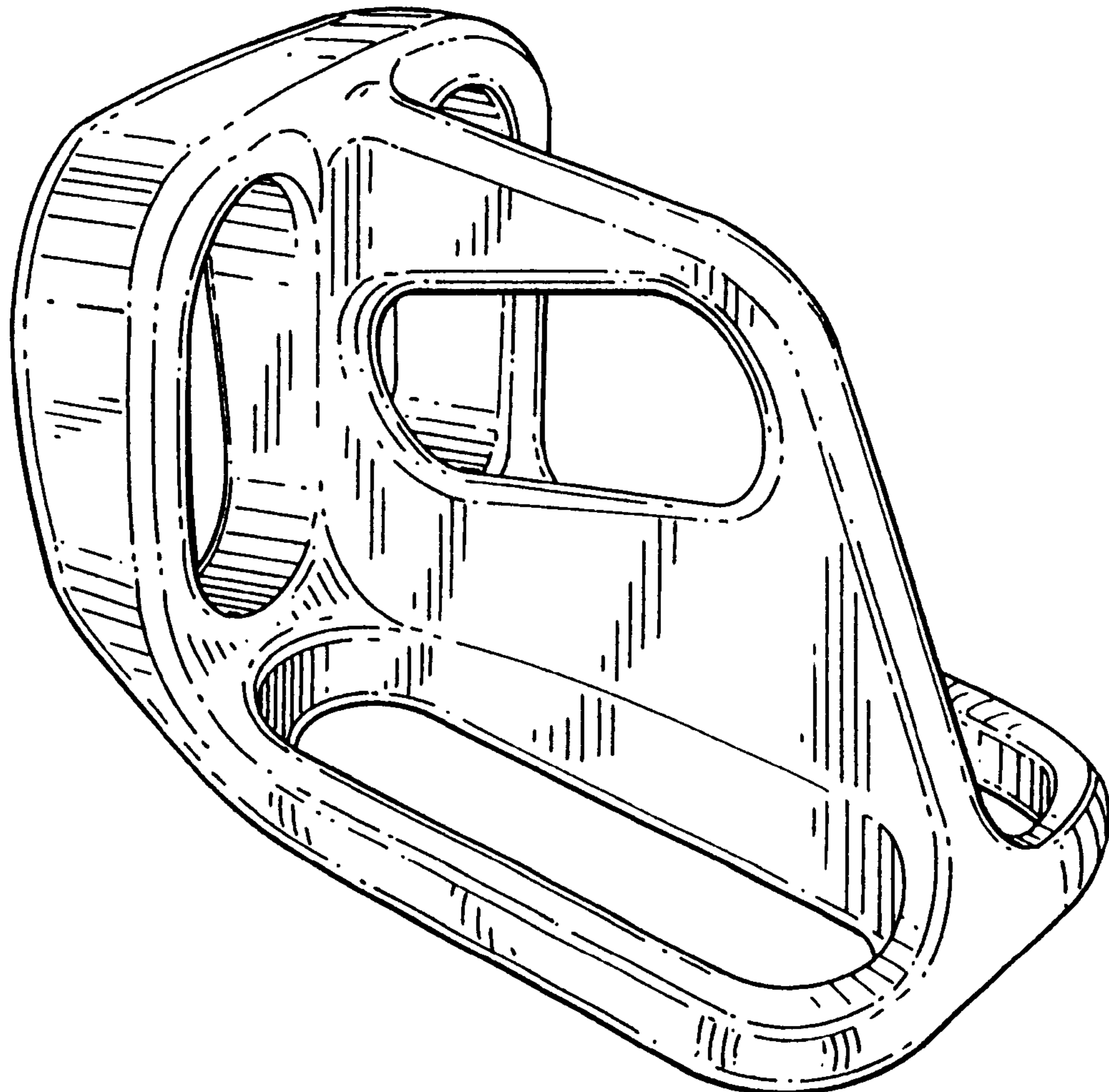


FIG. 1

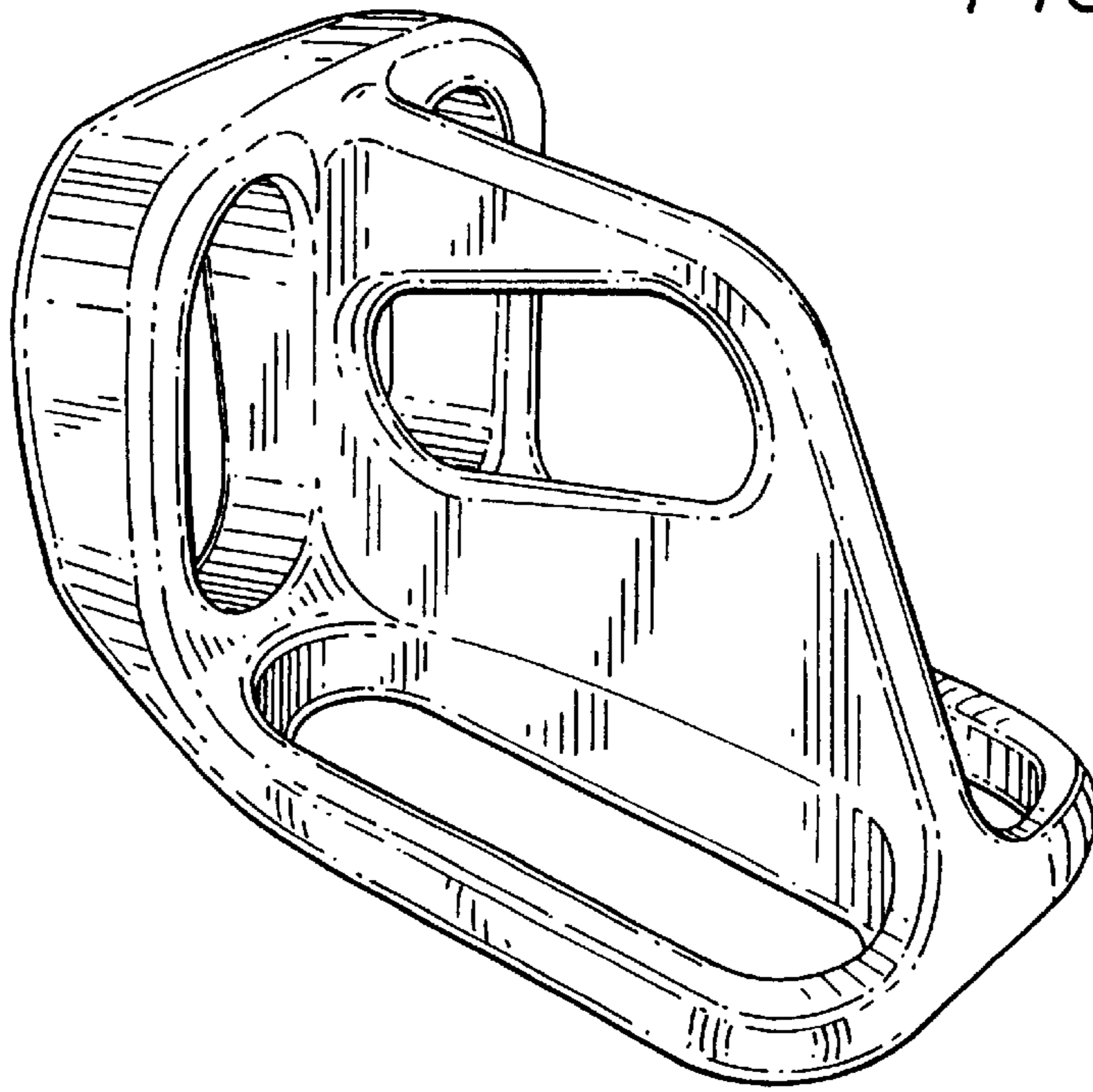


FIG. 2

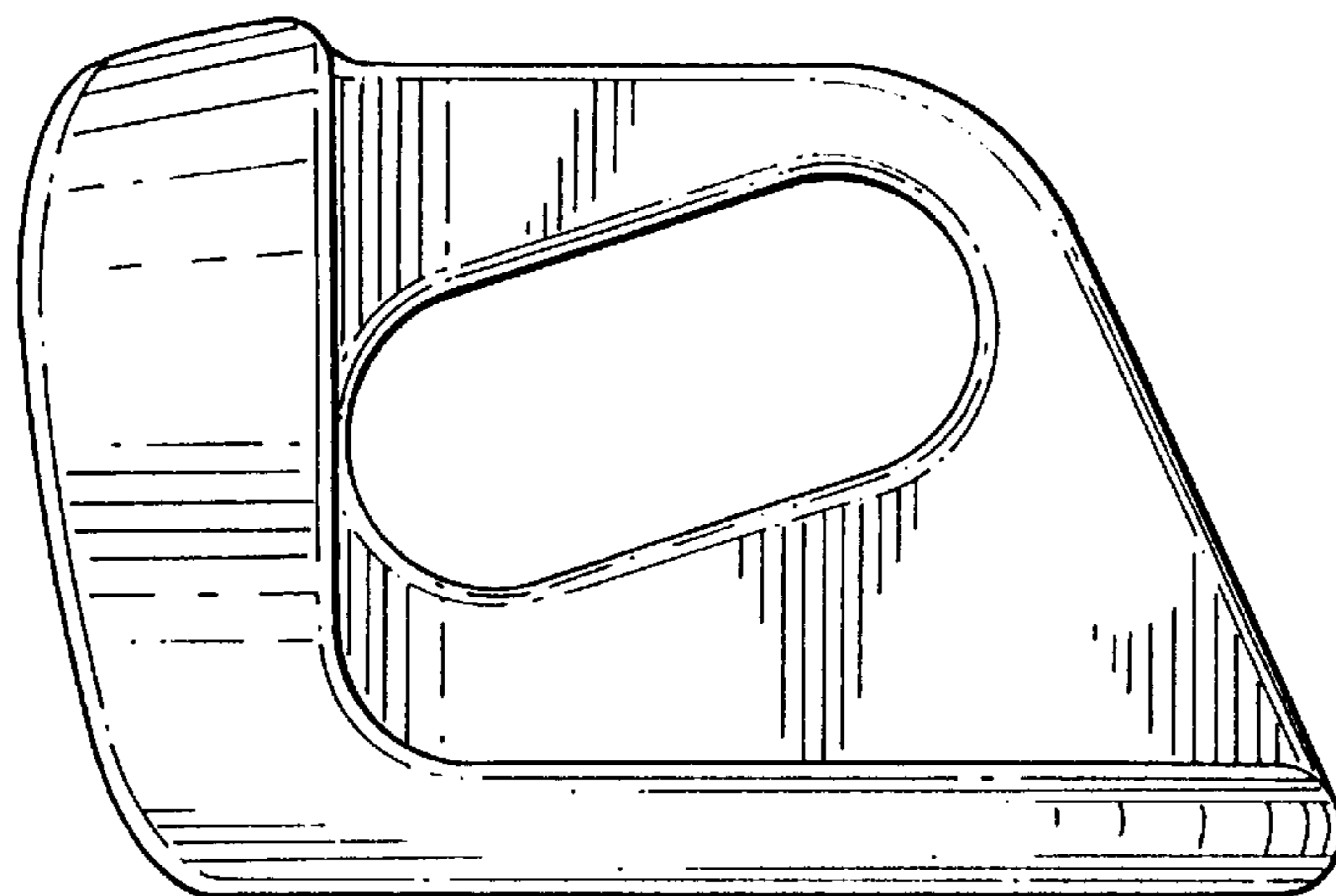


FIG. 3

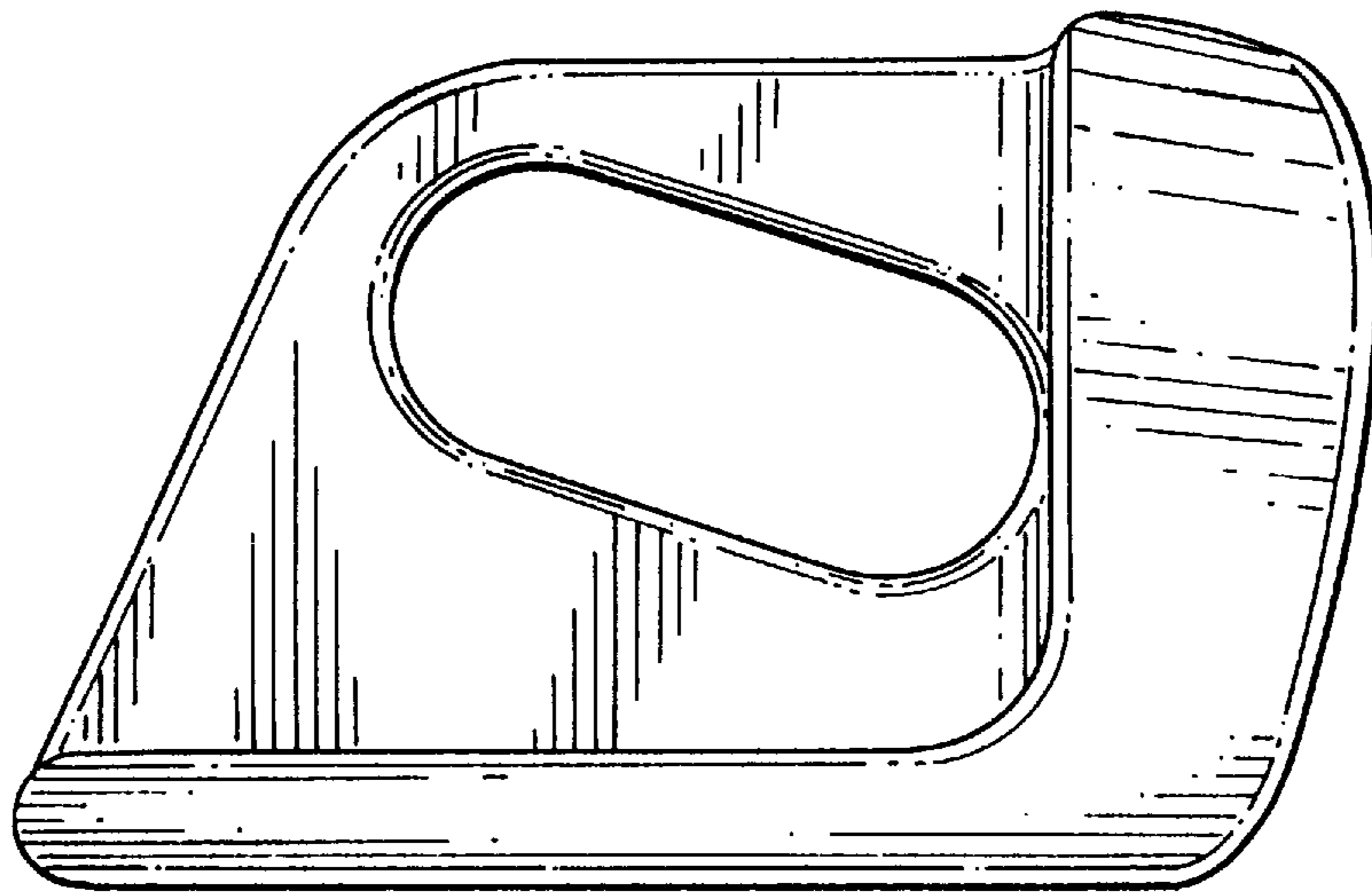
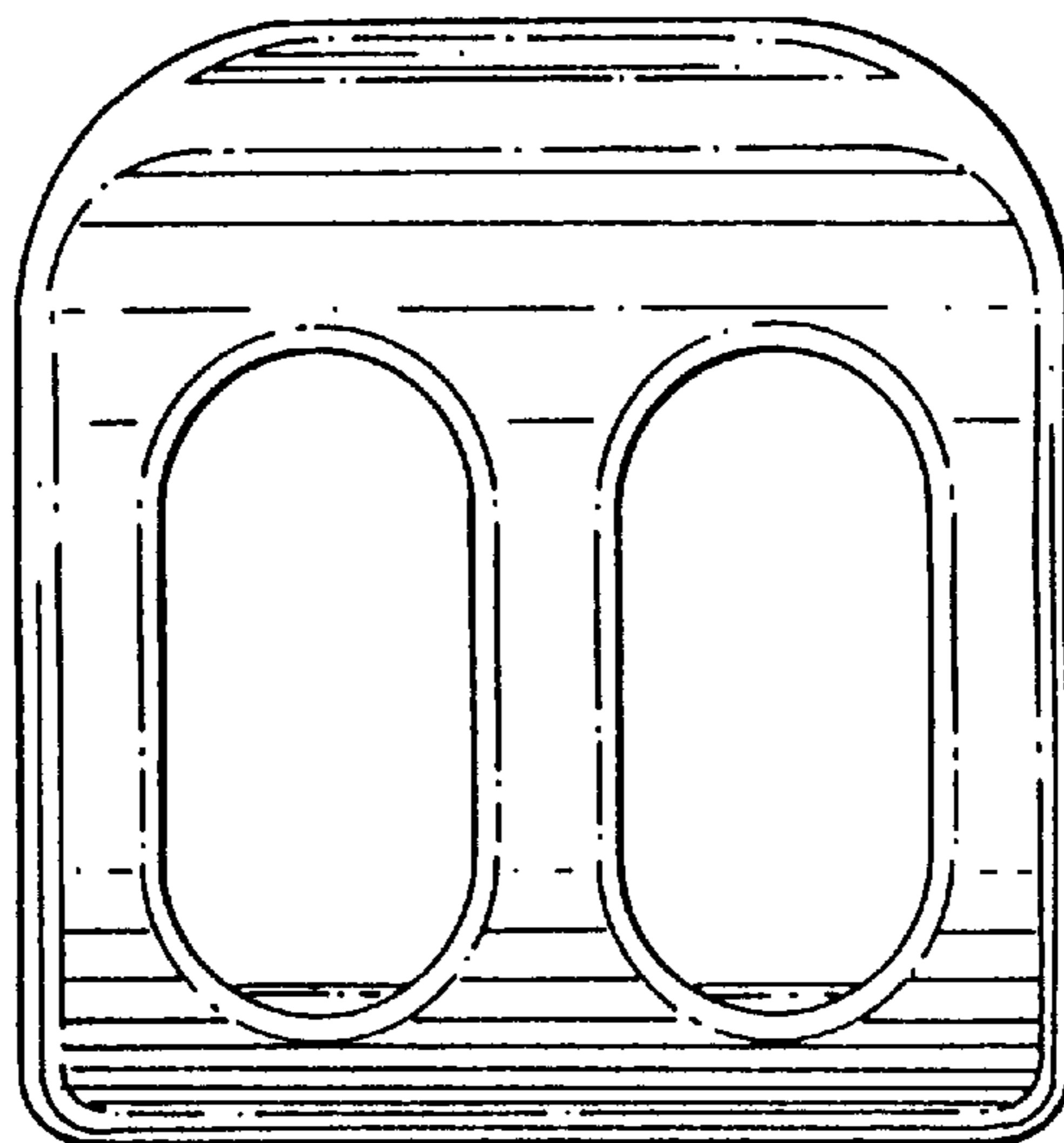


FIG. 4



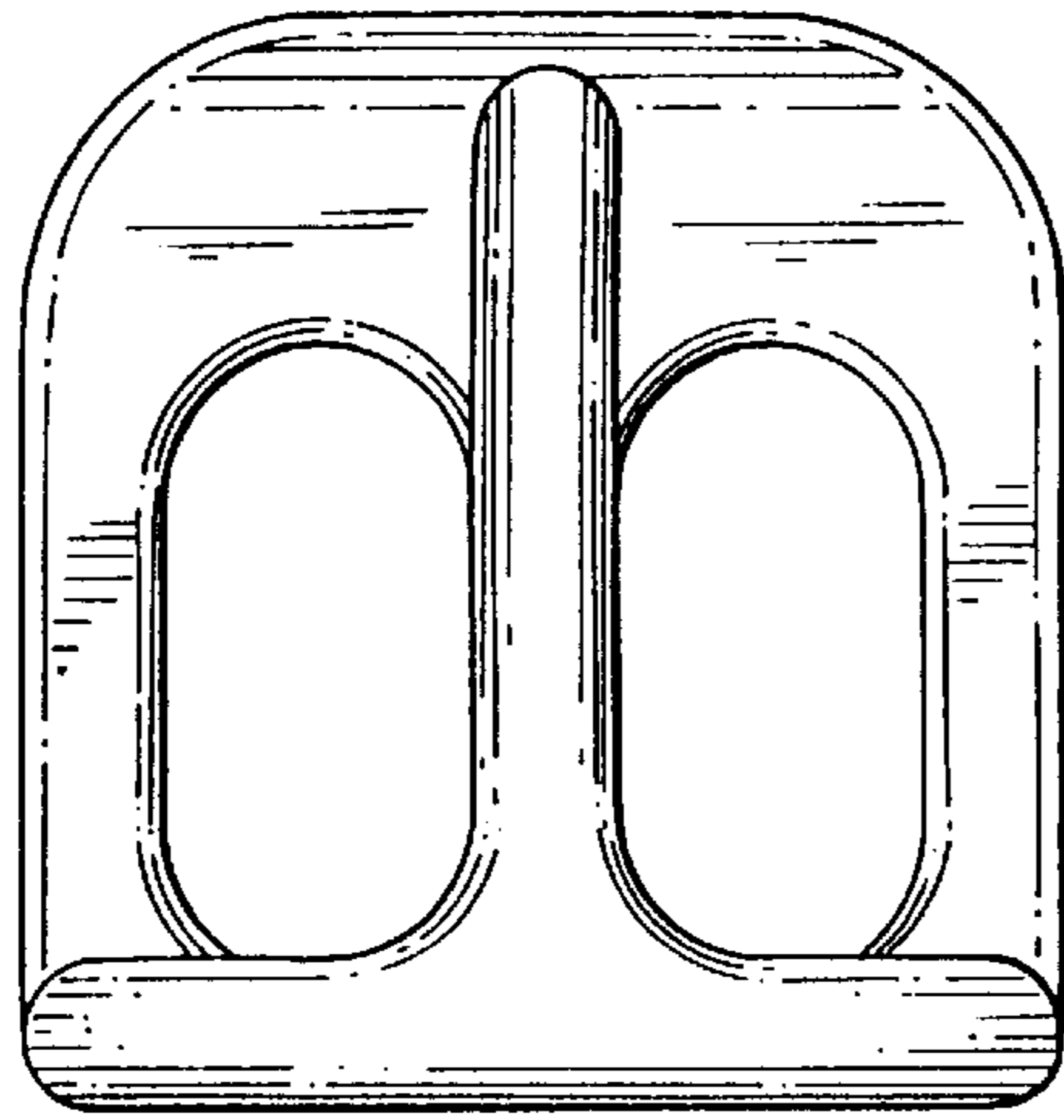


FIG. 5

FIG. 6

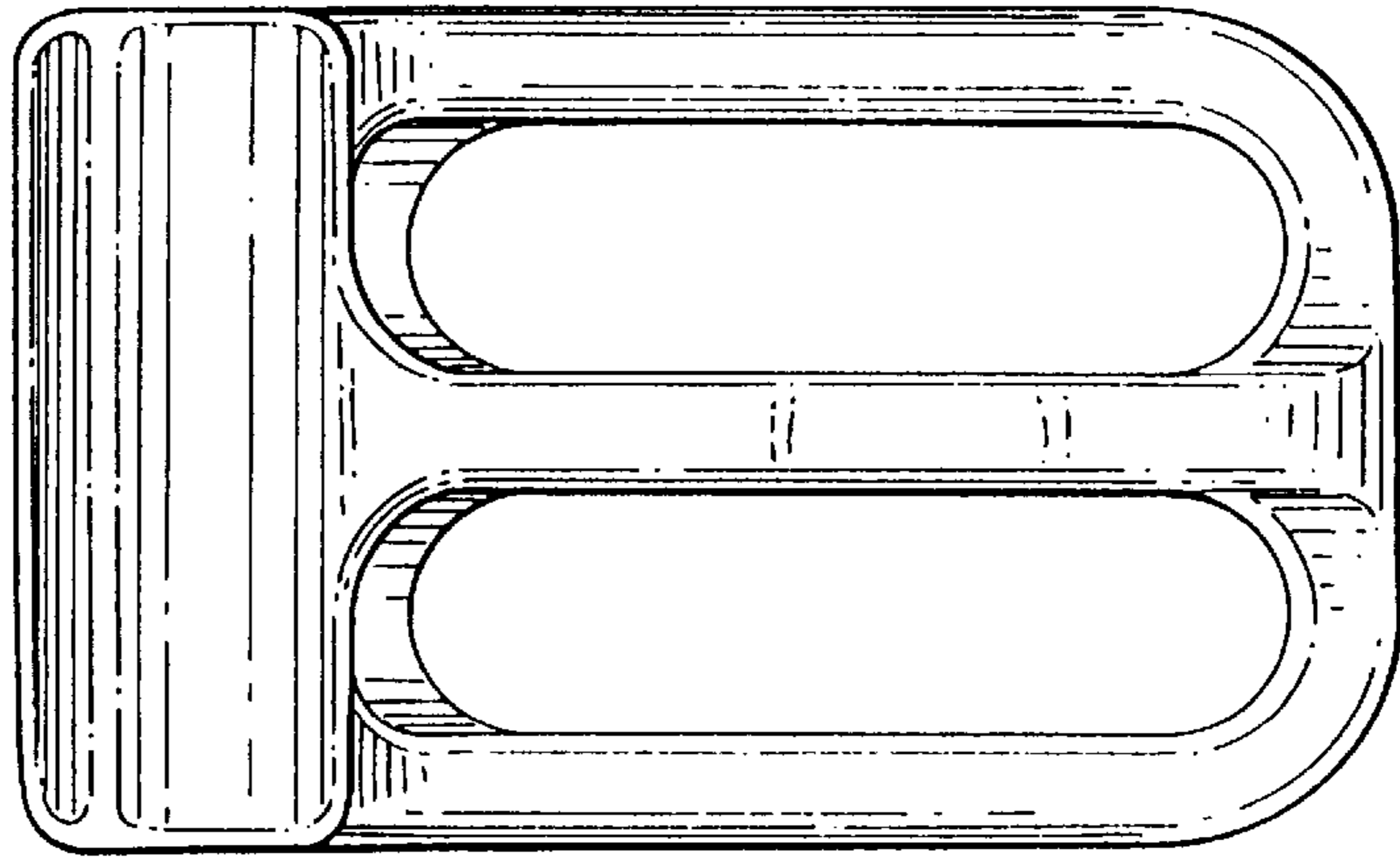


FIG. 7

