



US00D413781S

United States Patent [19] Wong

[11] **Patent Number: Des. 413,781**

[45] **Date of Patent: ** Sep. 14, 1999**

[54] **HAMMER**

[75] Inventor: **Siu Chan Wong**, Hong Kong, China

[73] Assignee: **Ching Wah Metal Ware Factory Limited**, Kwai Chung, The Hong Kong Special Administrative Region of the People's Republic of China

[**] Term: **14 Years**

[21] Appl. No.: **29/095,500**

[22] Filed: **Oct. 23, 1998**

[30] **Foreign Application Priority Data**

Jul. 14, 1998 [GB] United Kingdom D2076024

[51] **LOC (6) Cl.** **08-02**

[52] **U.S. Cl.** **D8/81; D8/105**

[58] **Field of Search** D8/75, 76, 77, D8/78, 79, 80, 81, 105, 88, 89, 99; 7/143, 144, 146, 147; 81/20, 21

[56] **References Cited**

U.S. PATENT DOCUMENTS

D. 290,334 6/1987 Reynolds, Jr. D8/81

D. 300,504	4/1989	Tsuji	D8/75
D. 385,771	11/1997	Chiang	D8/81
2,435,556	2/1948	Curatole	7/146
3,673,687	7/1972	Phillips et al.	30/317
4,134,206	1/1979	Beerman	30/317
4,592,467	6/1986	Lechner	7/144

Primary Examiner—Philip S. Hyder
Attorney, Agent, or Firm—Alix, Yale & Ristas, LLP

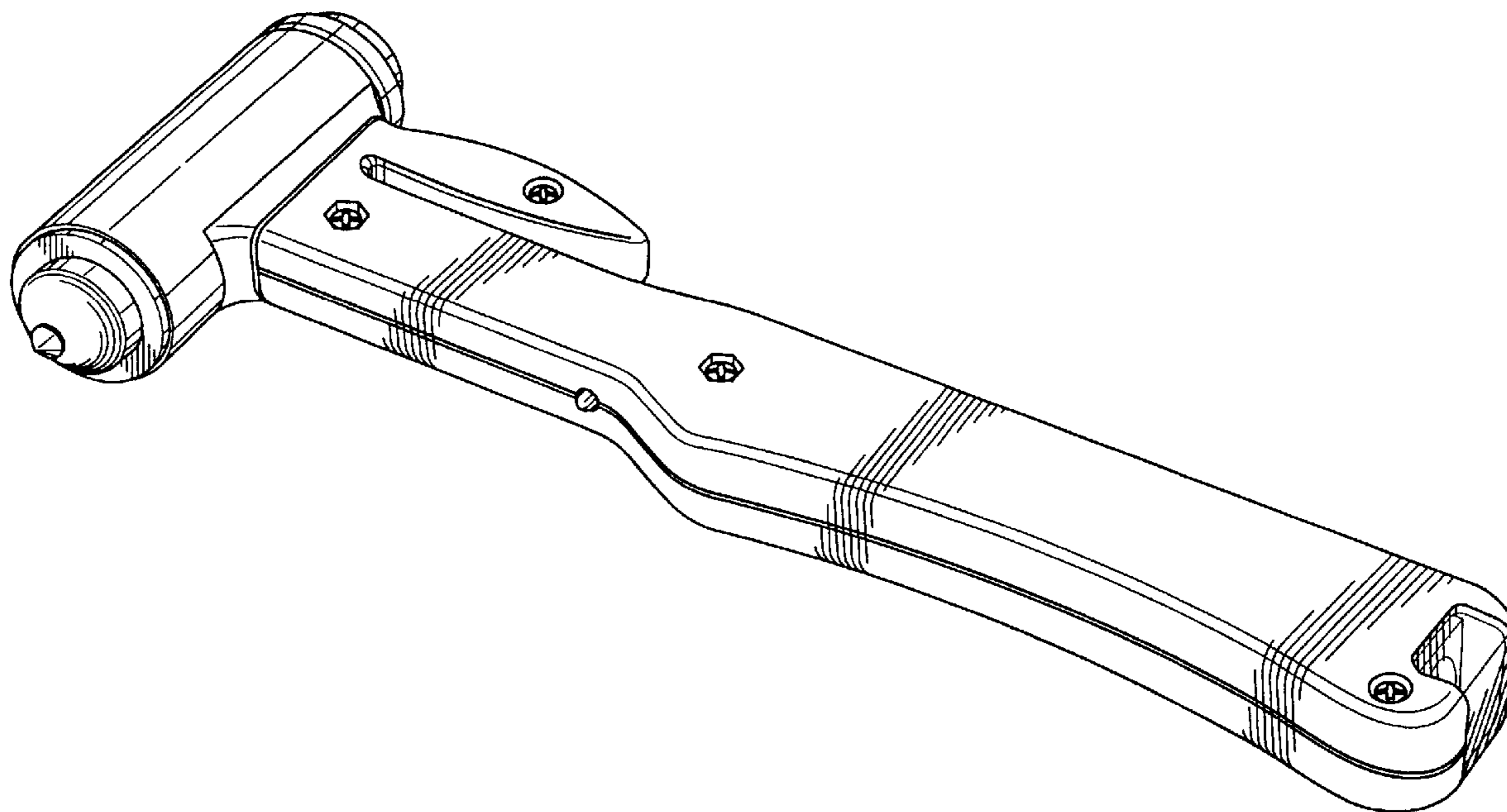
[57] **CLAIM**

The ornamental design for a hammer, as shown.

DESCRIPTION

FIG. 1 is a frontal perspective view of the hammer showing my new design;
FIG. 2 is a front side view of the hammer of FIG. 1;
FIG. 3 is a rear side view of the hammer of FIG. 1;
FIG. 4 is a top plan view of the hammer of FIG. 1;
FIG. 5 is a bottom plan view of the hammer of FIG. 1;
FIG. 6 is a left end view of the hammer of FIG. 1; and,
FIG. 7 is a right view of the hammer of FIG. 1.

1 Claim, 3 Drawing Sheets



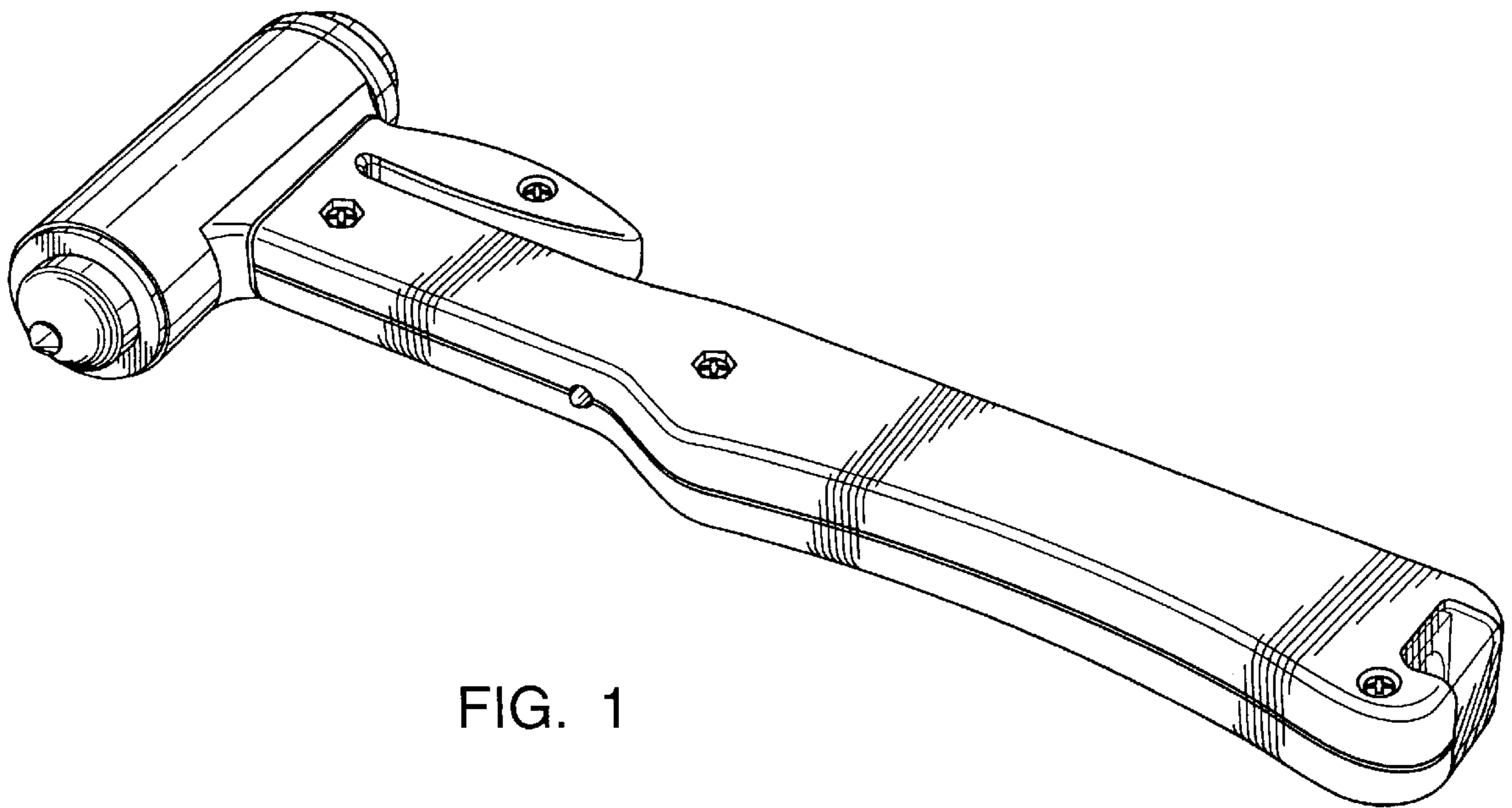


FIG. 1

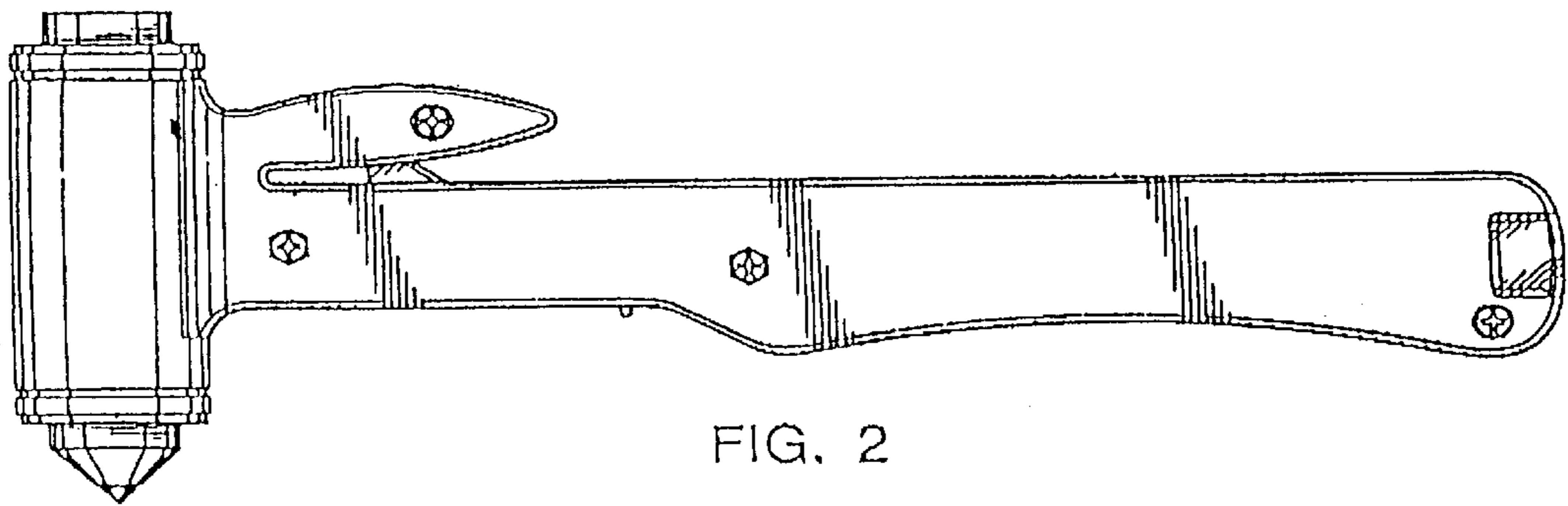


FIG. 2

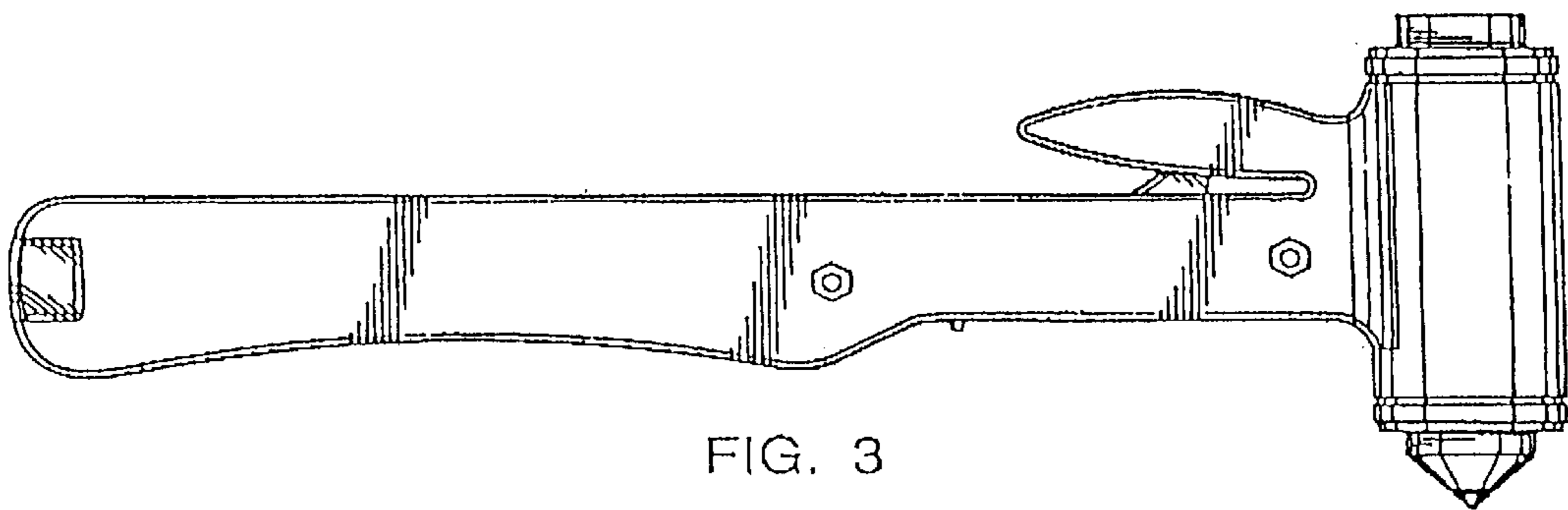


FIG. 3

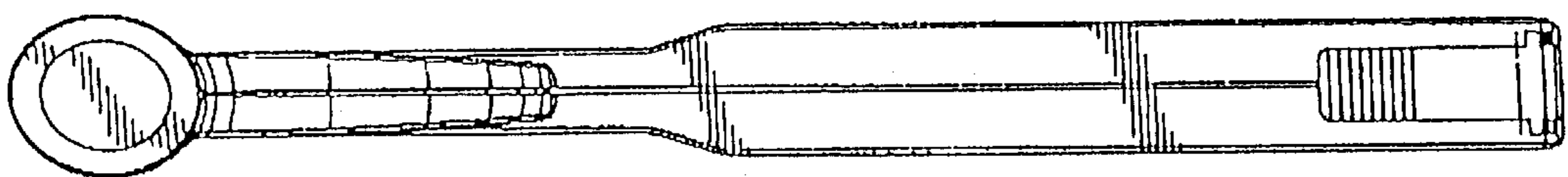


FIG. 4

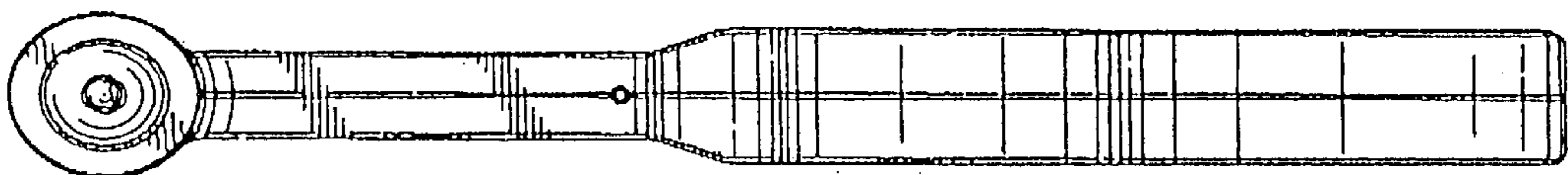


FIG. 5

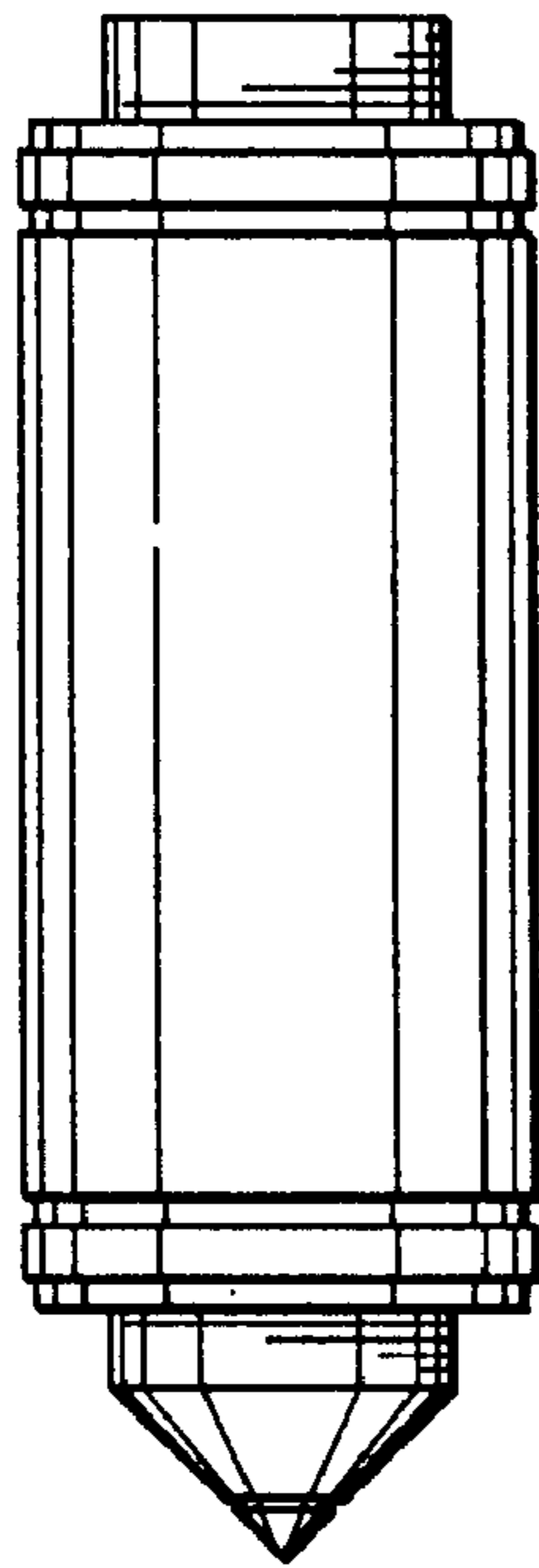


FIG. 6

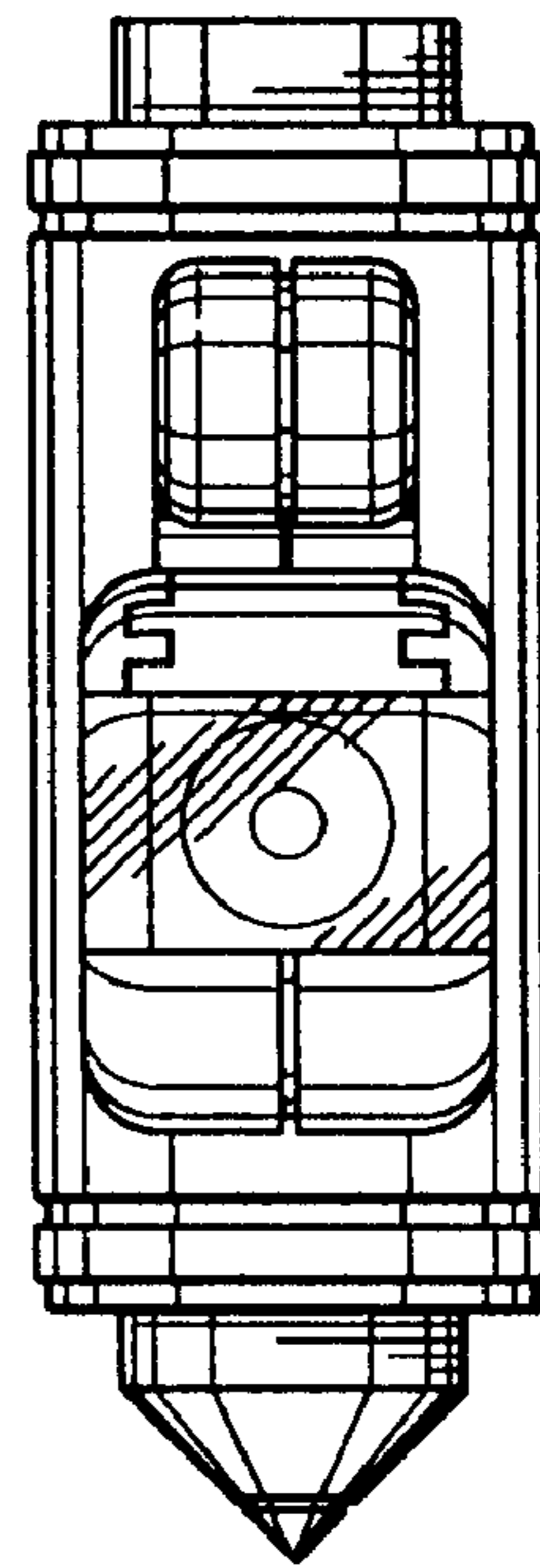


FIG. 7