



US00D413779S

**United States Patent** [19]  
**Hayakawa et al.**

[11] **Patent Number: Des. 413,779**

[45] **Date of Patent: \*\* Sep. 14, 1999**

[54] **PORTABLE ELECTRIC PLANER**

5,616,072 4/1997 Walz et al. .... 451/356 X

[75] Inventors: **Naohiro Hayakawa**, Toyoake;  
**Hirokazu Hagiwara**, Toyota, both of  
Japan

**FOREIGN PATENT DOCUMENTS**

273188 7/1997 Japan .  
1000130 9/1997 Japan .

[73] Assignee: **Makita Corporation**, Anjo, Japan

*Primary Examiner*—Antoine Duval Davis  
*Attorney, Agent, or Firm*—Lahive & Cockfield, LLP

[\*\*] Term: **14 Years**

[57] **CLAIM**

[21] Appl. No.: **29/094,912**

The ornamental design for a portable electric planer, as shown and described.

[22] Filed: **Oct. 13, 1998**

[30] **Foreign Application Priority Data**

**DESCRIPTION**

Apr. 15, 1998 [JP] Japan ..... 10-11036

FIG. 1 is a perspective view of a portable electric planer showing my new design;

[51] **LOC (6) Cl.** ..... **08-01**

FIG. 2 is a right side elevational view thereof;

[52] **U.S. Cl.** ..... **D8/62**

FIG. 3 is a left side elevational view thereof;

[58] **Field of Search** ..... D8/62; 451/350,  
451/352, 355-358, 514

FIG. 4 is a rear side elevational view thereof;

FIG. 5 is a front elevational view thereof;

FIG. 6 is a top plan view thereof; and,

FIG. 7 is a bottom plan view thereof.

[56] **References Cited**

**U.S. PATENT DOCUMENTS**

D. 400,073 10/1998 Hara ..... D8/62

**1 Claim, 6 Drawing Sheets**

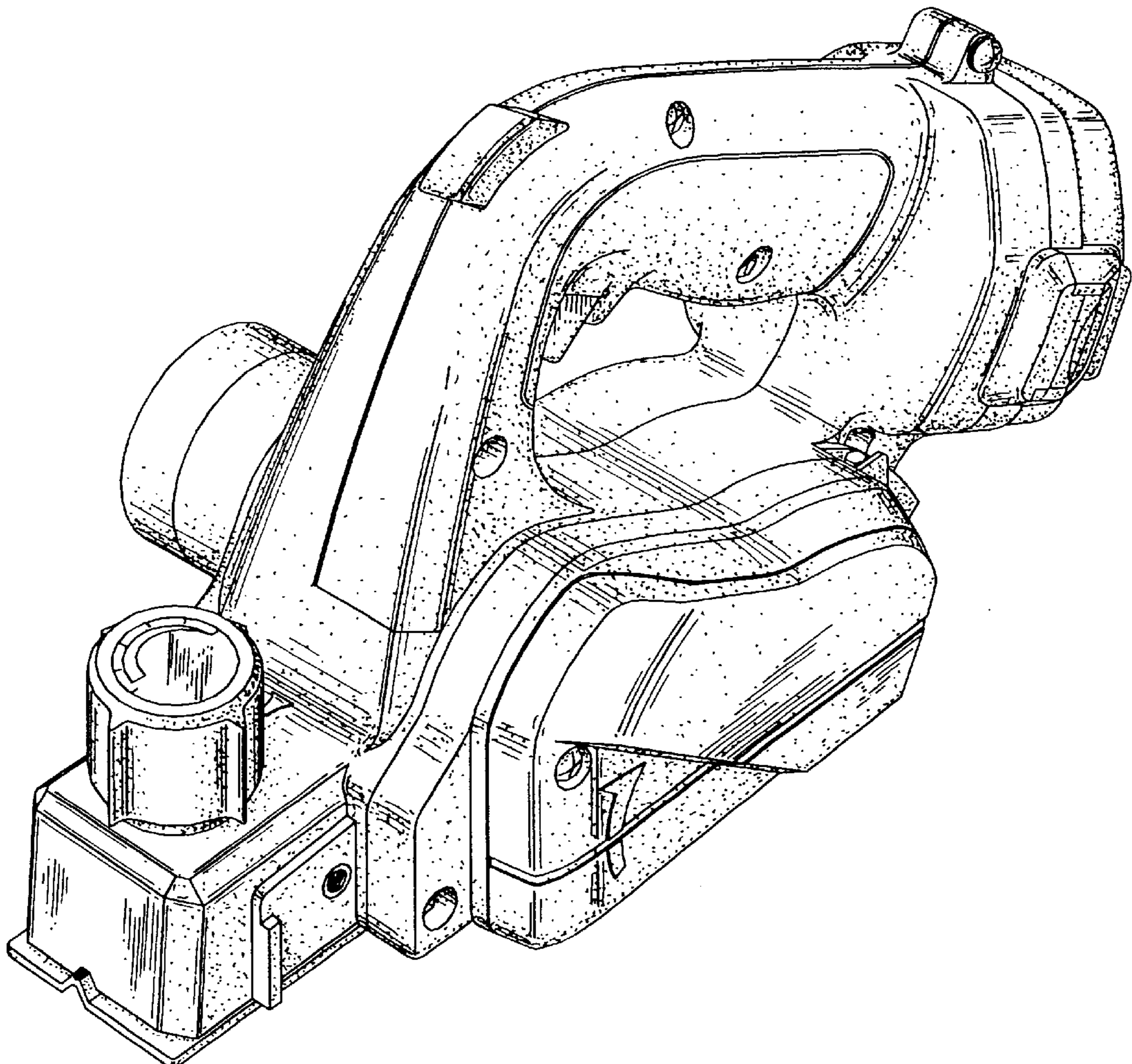


FIG. 1

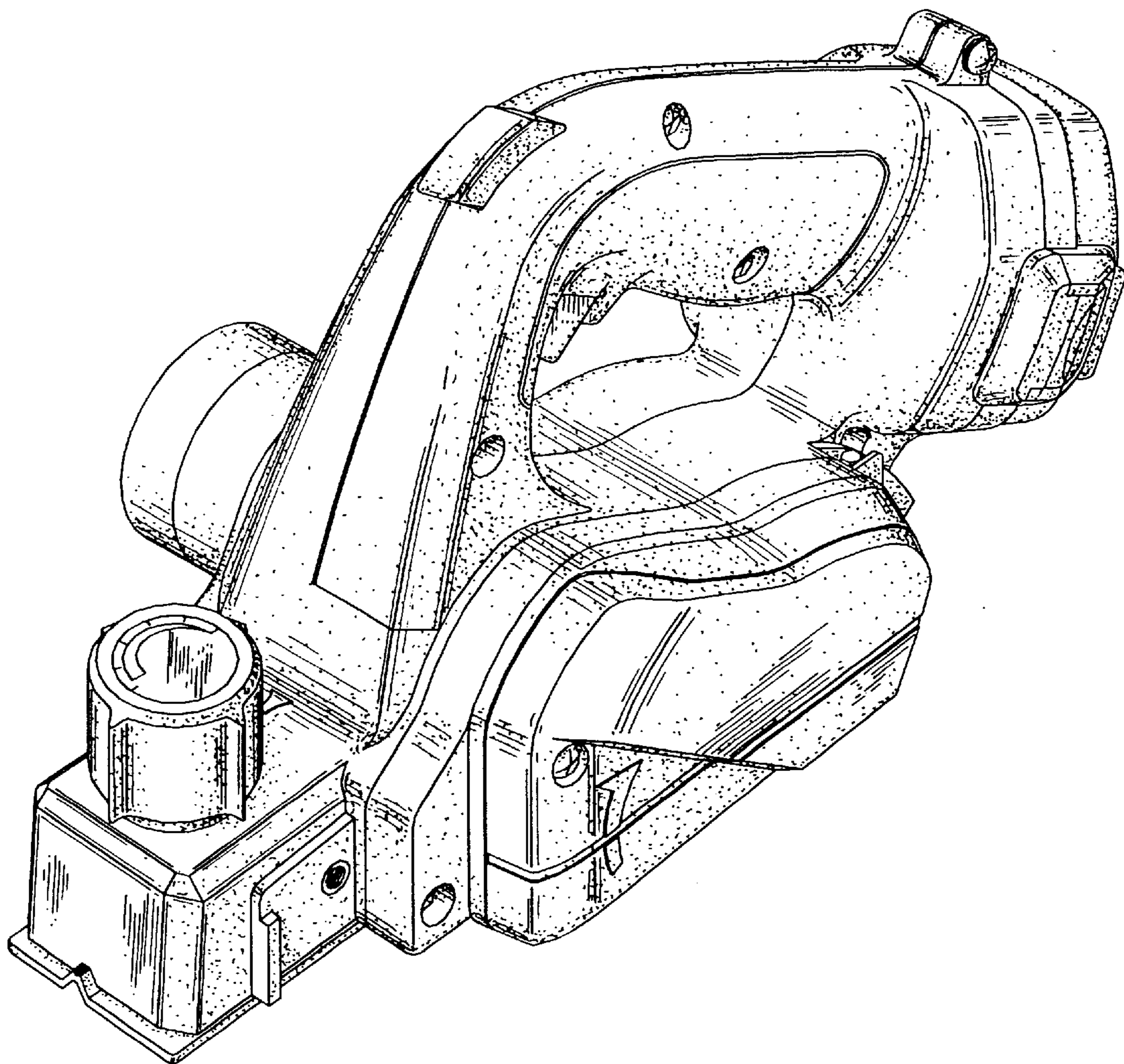


FIG. 2

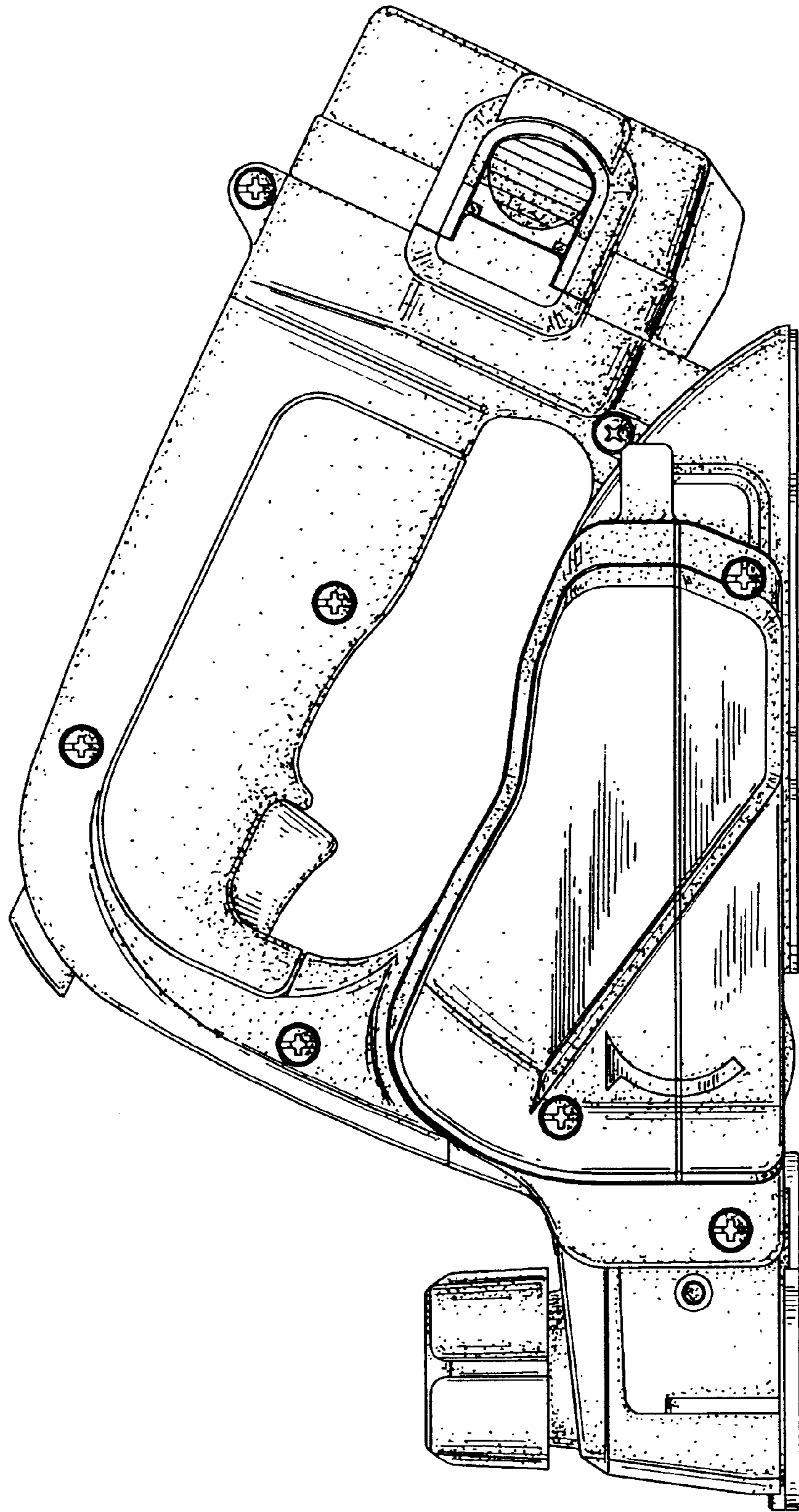


FIG. 3

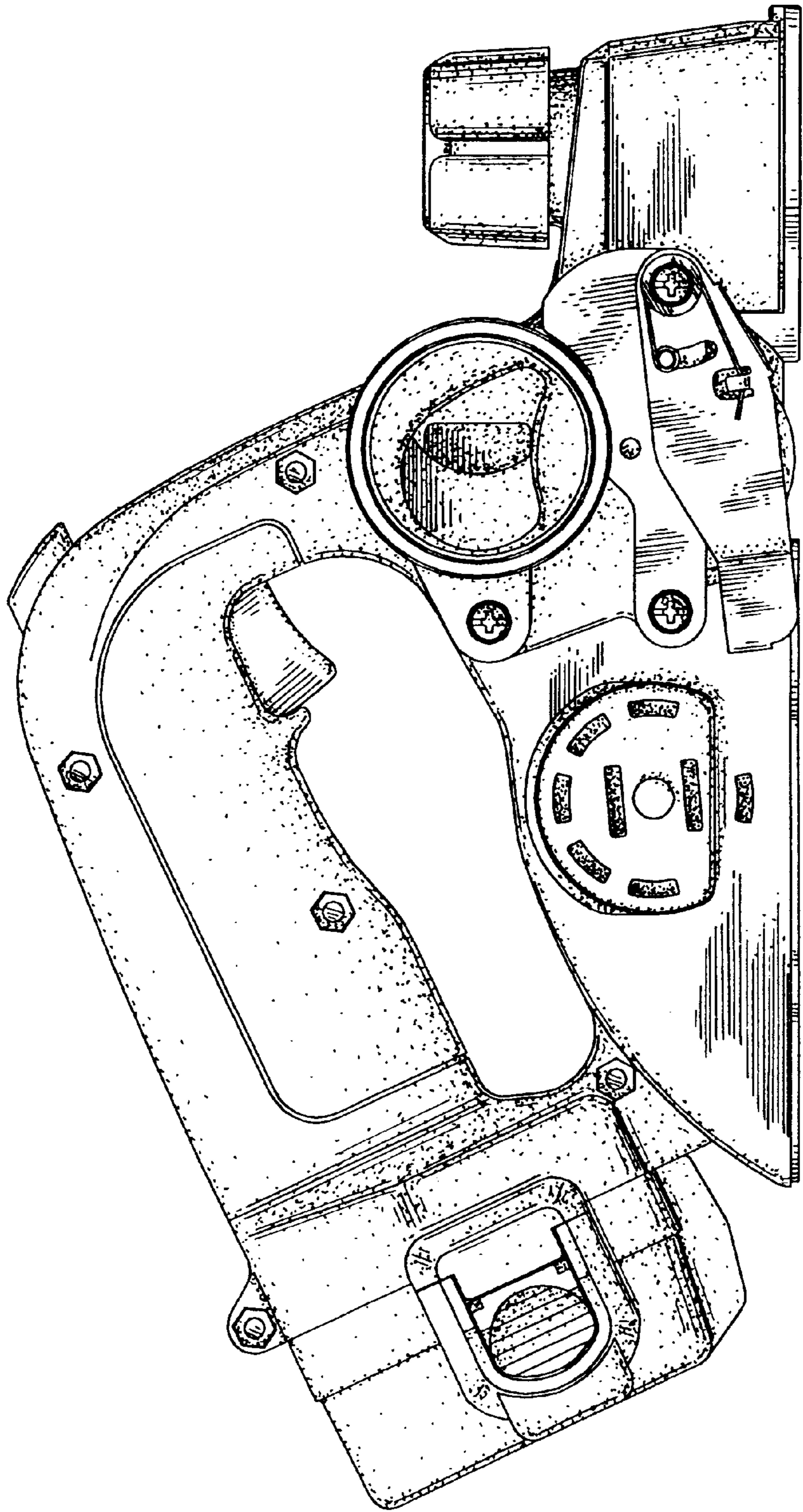


FIG. 5

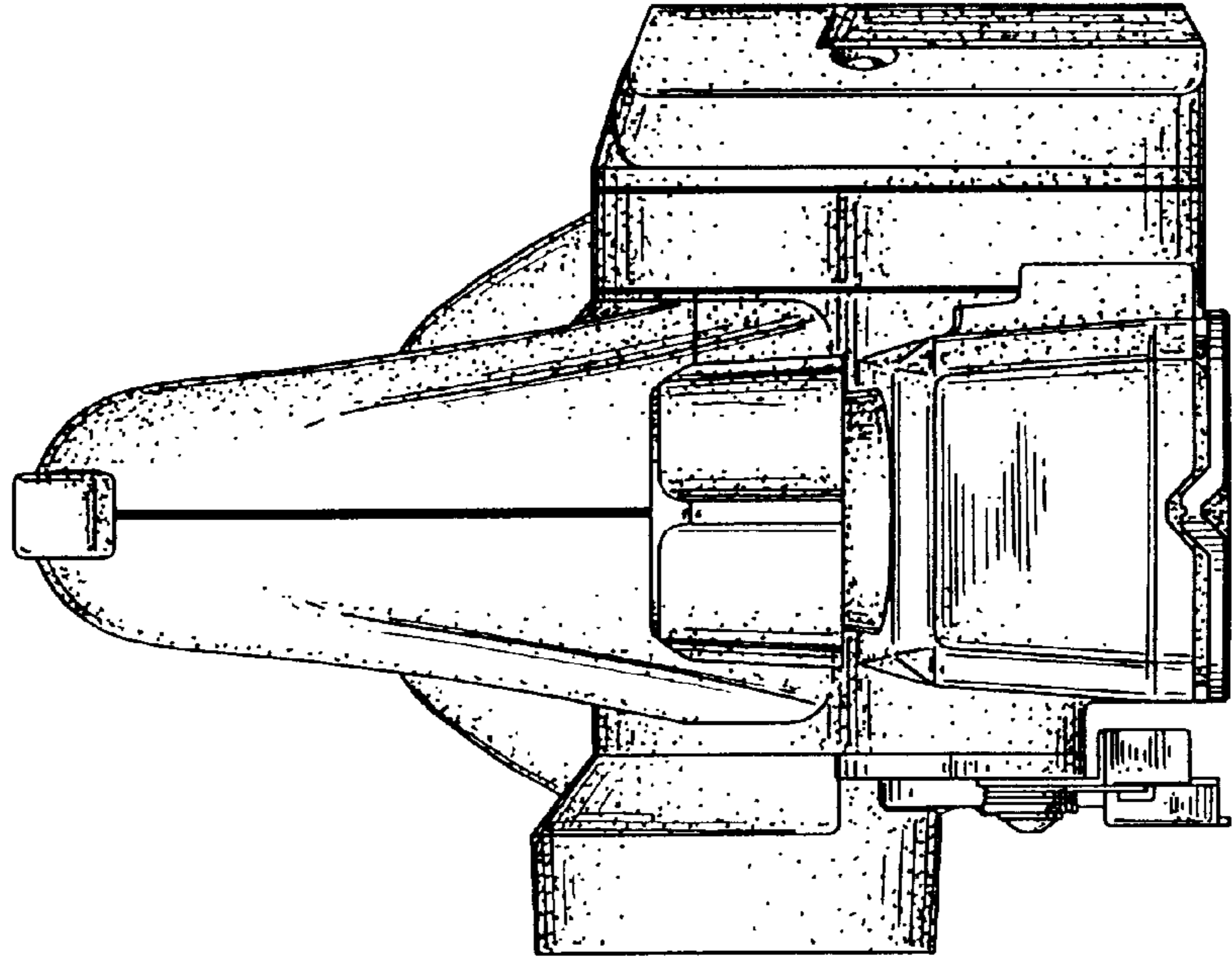


FIG. 4

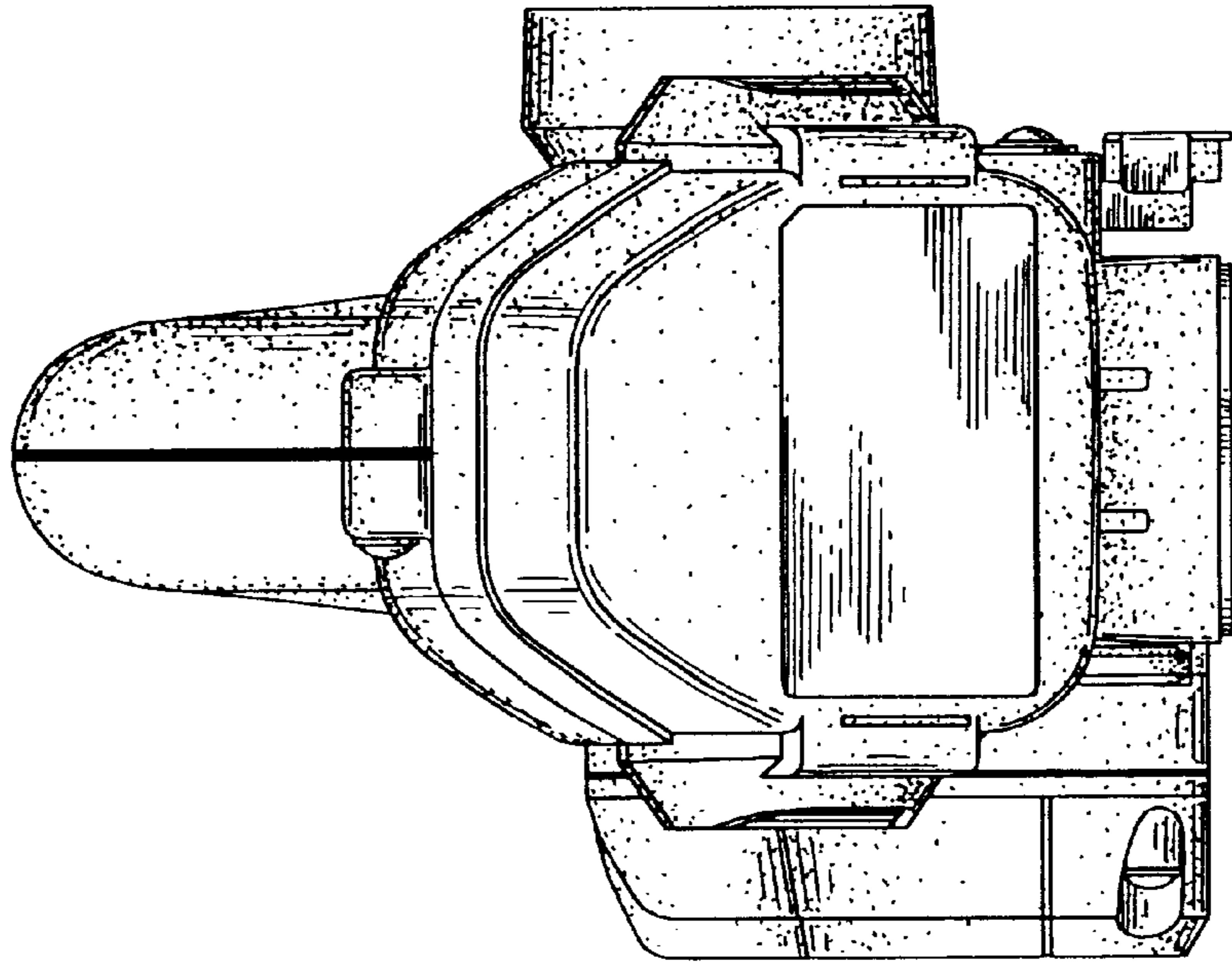


FIG. 6

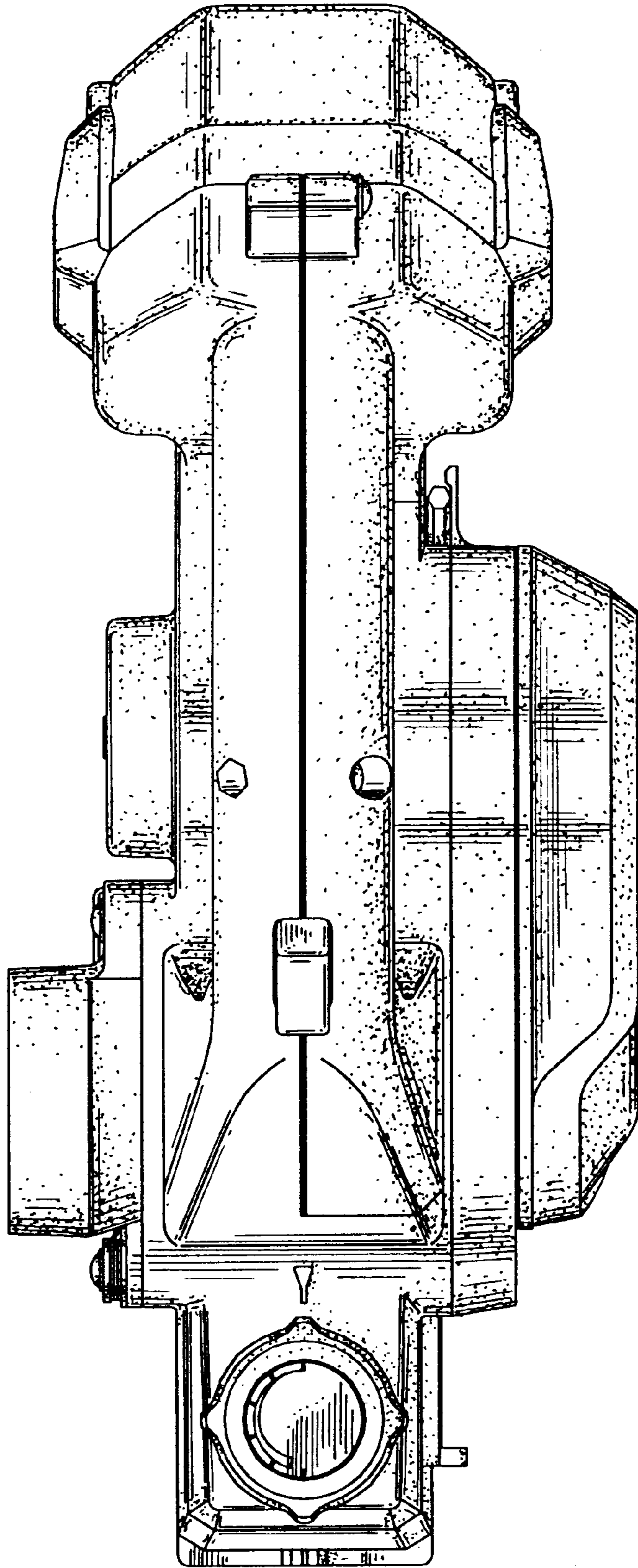


FIG. 7

