



US00D413775S

# United States Patent [19]

Hulsey et al.

[11] **Patent Number: Des. 413,775**

[45] **Date of Patent: \*\* Sep. 14, 1999**

[54] **FLEX-HEAD LINE WRENCH**

[76] Inventors: **Michael K. Hulsey**, 1050 Villa Rica Hwy., Dallas, Ga. 30132; **Daniel K. Dodge**, 427 Shepard Dr., Marietta, Ga. 30064

[\*\*] Term: **14 Years**

[21] Appl. No.: **29/091,687**

[22] Filed: **Aug. 4, 1998**

[51] **LOC (6) Cl. .... 08-05**

[52] **U.S. Cl. .... D8/22; D8/28**

[58] **Field of Search .... D8/21-23, 28; 81/125.1, 177.2, 177.7, 177.8**

[56] **References Cited**

**U.S. PATENT DOCUMENTS**

2,142,589	1/1939	Olson	81/125.1
2,886,998	5/1959	Scott	81/177.7 X
2,978,938	4/1961	Nalley	81/177.8
4,327,611	5/1982	Catanese et al.	D8/22 X
5,230,263	7/1993	Kwaka	81/125.1

*Primary Examiner*—Raphael Barkai  
*Assistant Examiner*—Richelle Shelton  
*Attorney, Agent, or Firm*—R. Stevan Coursey, Esq.; Troutman Sanders LLP

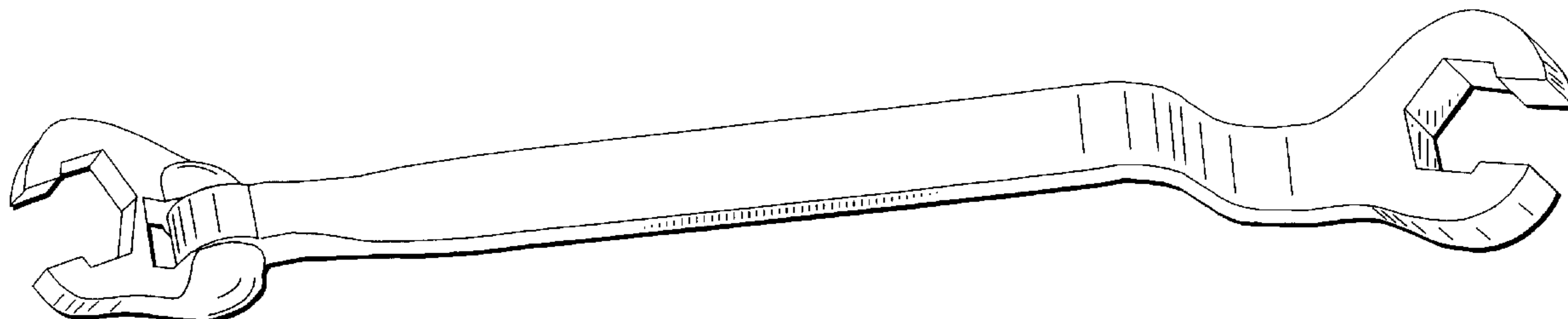
[57] **CLAIM**

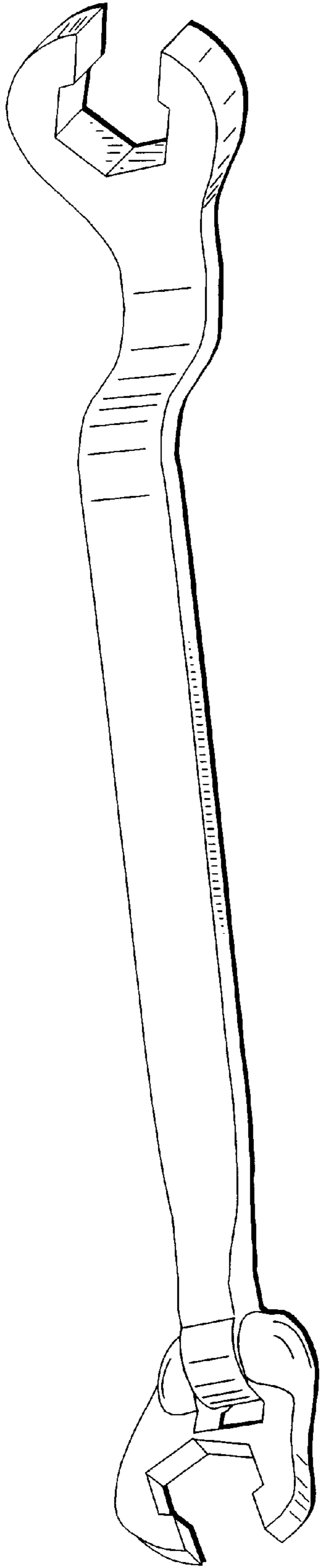
The ornamental design for a flex-head line wrench, as shown and described.

**DESCRIPTION**

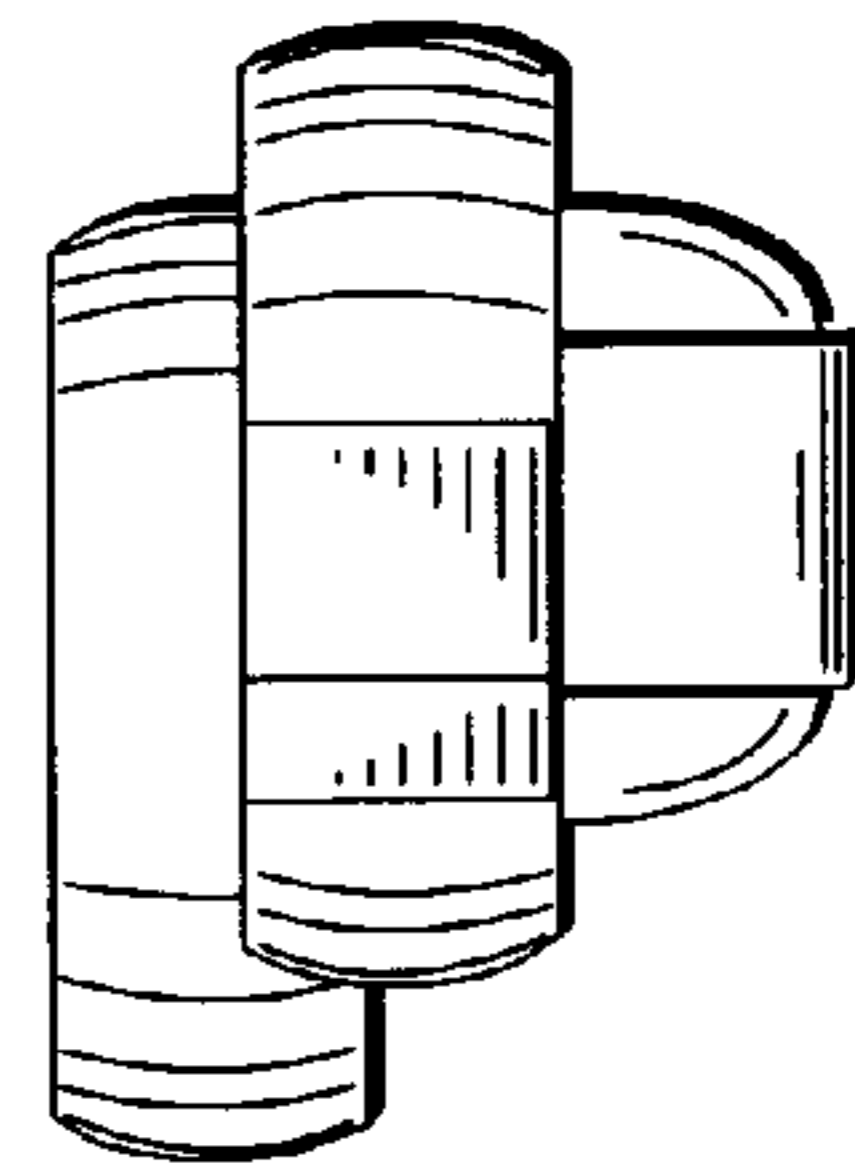
FIG. 1 is a front, perspective view of a flex-head line wrench showing my new design;  
FIG. 2 is a left side, elevational view of a flex-head line wrench showing my new design;  
FIG. 3 is a right side, elevational view of a flex-head line wrench showing my new design;  
FIG. 4 is a top, plan view of a flex-head line wrench showing my new design;  
FIG. 5 is a bottom, plan view of a flex-head line wrench showing my new design;  
FIG. 6 is a front, elevational view of a flex-head line wrench showing my new design; and,  
FIG. 7 is a back, elevational view of a flex-head line wrench showing my new design.

**1 Claim, 2 Drawing Sheets**

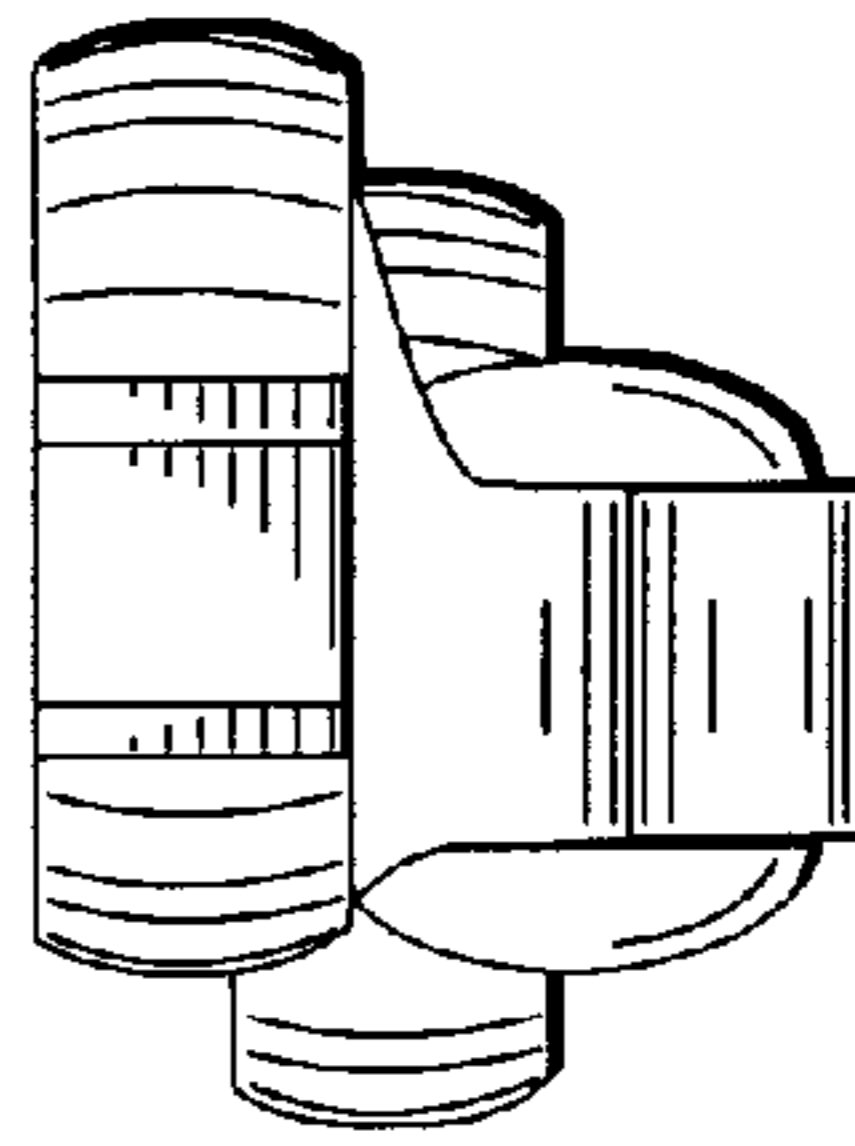




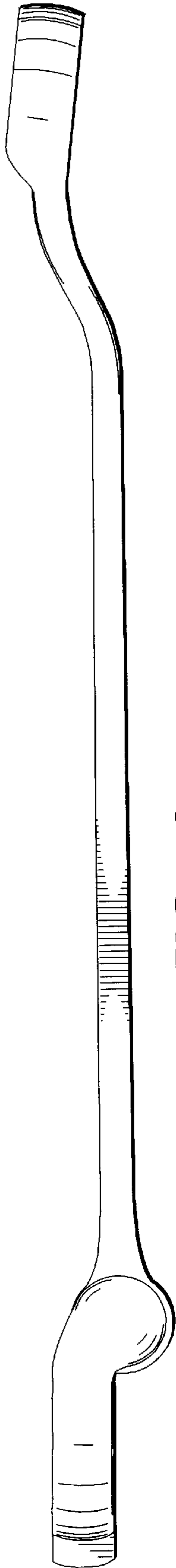
**FIG. 1**



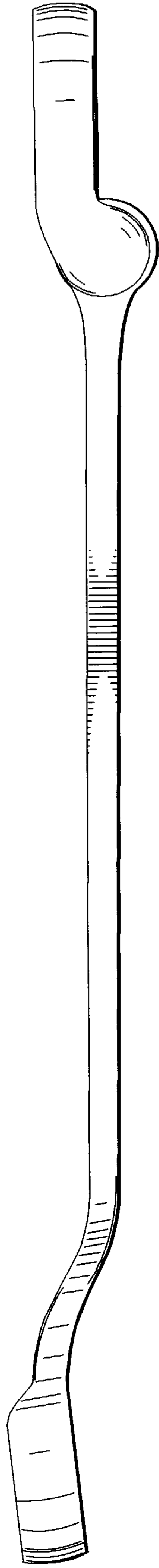
**FIG. 2**



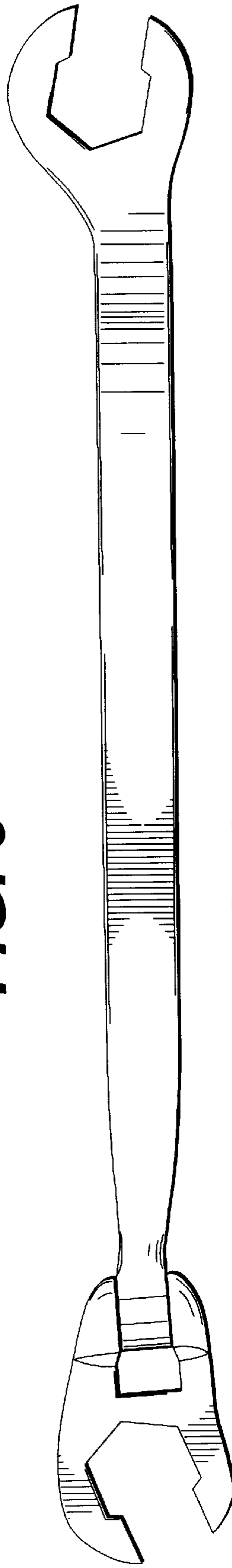
**FIG. 3**



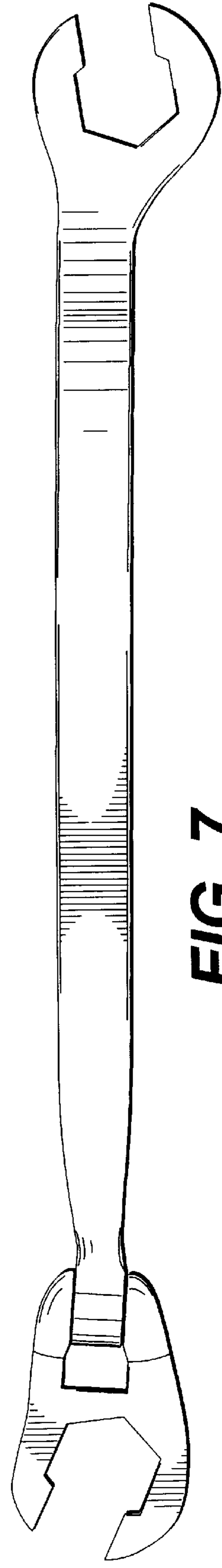
**FIG. 4**



**FIG. 5**



**FIG. 6**



**FIG. 7**