



US00D413769S

# United States Patent [19] Mason

[11] Patent Number: Des. 413,769

[45] Date of Patent: \*\* Sep. 14, 1999

[54] BEVERAGE CONTAINER HOLDER

[75] Inventor: Paul R. Mason, Richmond Hill, Canada

[73] Assignee: Post Primitive Technology, Inc., Toronto, Canada

[\*\*] Term: 14 Years

[21] Appl. No.: 29/089,184

[22] Filed: Jun. 9, 1998

[51] LOC (6) Cl. .... 07-06

[52] U.S. Cl. .... D7/620

[58] Field of Search ..... D7/619, 620, 622, D7/624; 215/395, 396; 211/71, 74, 75; 220/737; 248/309.1, 310, 311.2, 313; 297/188.14, 188.18

[56] References Cited

U.S. PATENT DOCUMENTS

D. 353,289	12/1994	Ayotte et al. ....	D7/620 X
D. 361,017	8/1995	Keven .....	D7/619
2,617,473	11/1952	Krimstock .	
2,950,836	8/1960	Murdock .	
2,960,601	11/1960	Higgins .	
3,036,717	5/1962	Johnson .	
4,063,701	12/1977	Wray .	
4,560,128	12/1985	Willeby .	
4,728,147	3/1988	Dutton .	
4,844,400	7/1989	Jasmagy, Jr. .	
4,948,197	8/1990	Sansing .	
5,007,612	4/1991	Manfre .	
5,106,046	4/1992	Rowles .	
5,143,337	9/1992	Tamayko, Jr. .	
5,199,678	4/1993	Luebke .	
5,257,765	11/1993	Halle .	
5,295,650	3/1994	Brandt .	
5,326,064	7/1994	Sapien .	
5,356,107	10/1994	Sinohuiz .	
5,395,085	3/1995	Mann .	

5,397,089 3/1995 Kataoka .  
5,584,453 12/1996 Morte .  
5,813,646 9/1998 Bartholomae ..... 248/311.2

Primary Examiner—Terry A Wallace  
Attorney, Agent, or Firm—Connolly & Hutz

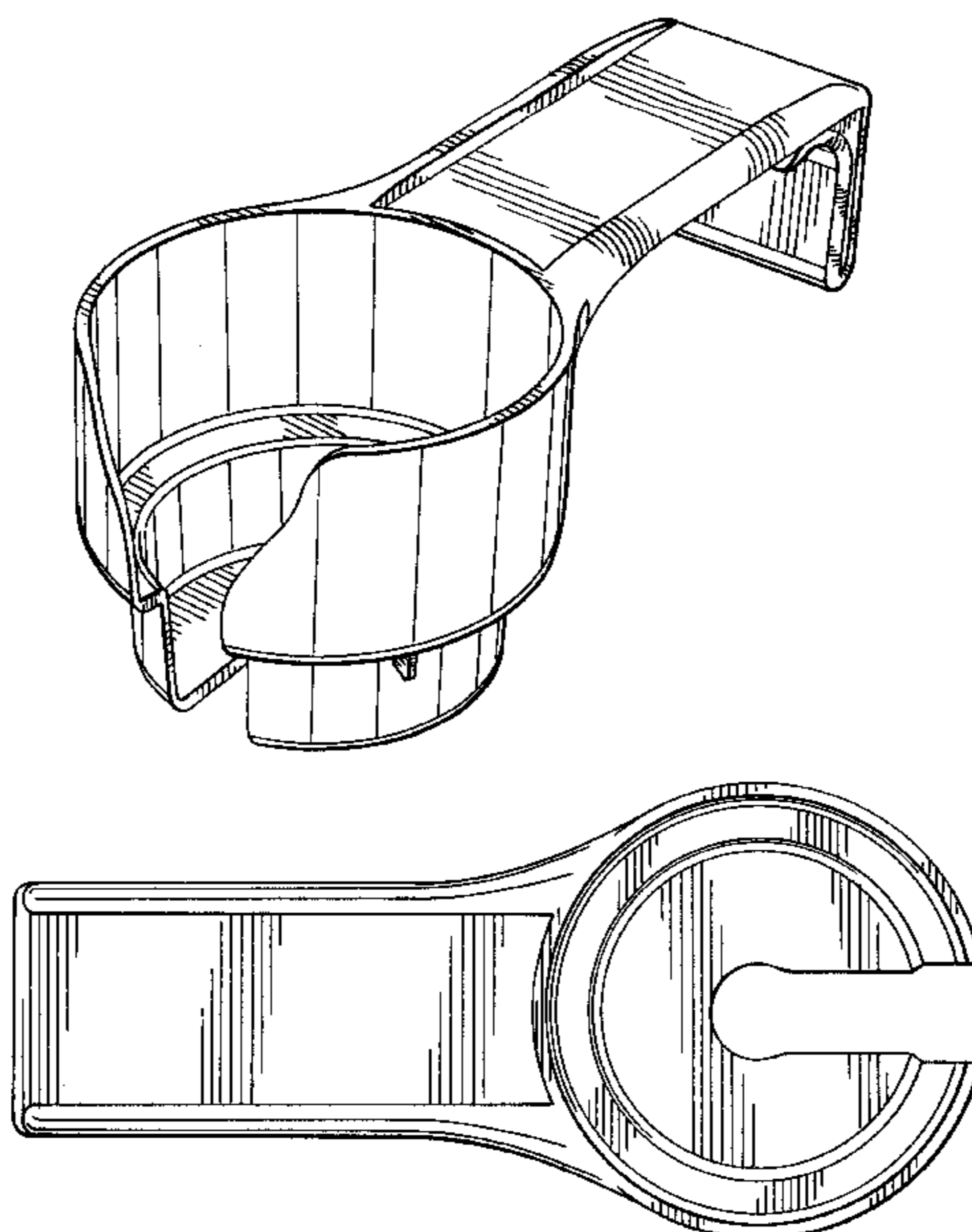
[57] CLAIM

The ornamental design for a beverage container holder, as shown and described.

DESCRIPTION

FIG. 1 is a perspective view of the beverage container holder in accordance with the present design; FIG. 2 is a top plan view thereof; FIG. 3 is a bottom plan view thereof; FIG. 4 is a side elevational view thereof; FIG. 5 is an end view thereof; FIG. 6 is a front view thereof; FIG. 7 is a perspective view of a second embodiment of the design; FIG. 8 is a top plan view thereof; FIG. 9 is a bottom plan view thereof; FIG. 10 is a side elevational view thereof; FIG. 11 is an end view thereof; FIG. 12 is a front view thereof; FIG. 13 is a perspective view of a third embodiment of the design; FIG. 14 is a top plan view thereof; FIG. 15 is a bottom plan view thereof; FIG. 16 is a side elevational view thereof; FIG. 17 is an end view thereof; FIG. 18 is a front view thereof; FIG. 19 is a perspective view of a fourth embodiment of the design; FIG. 20 is a top plan view thereof; FIG. 21 is a bottom plan view thereof; FIG. 22 is a side elevational side thereof; FIG. 23 is an end view thereof; and, FIG. 24 is a front view thereof.

1 Claim, 8 Drawing Sheets



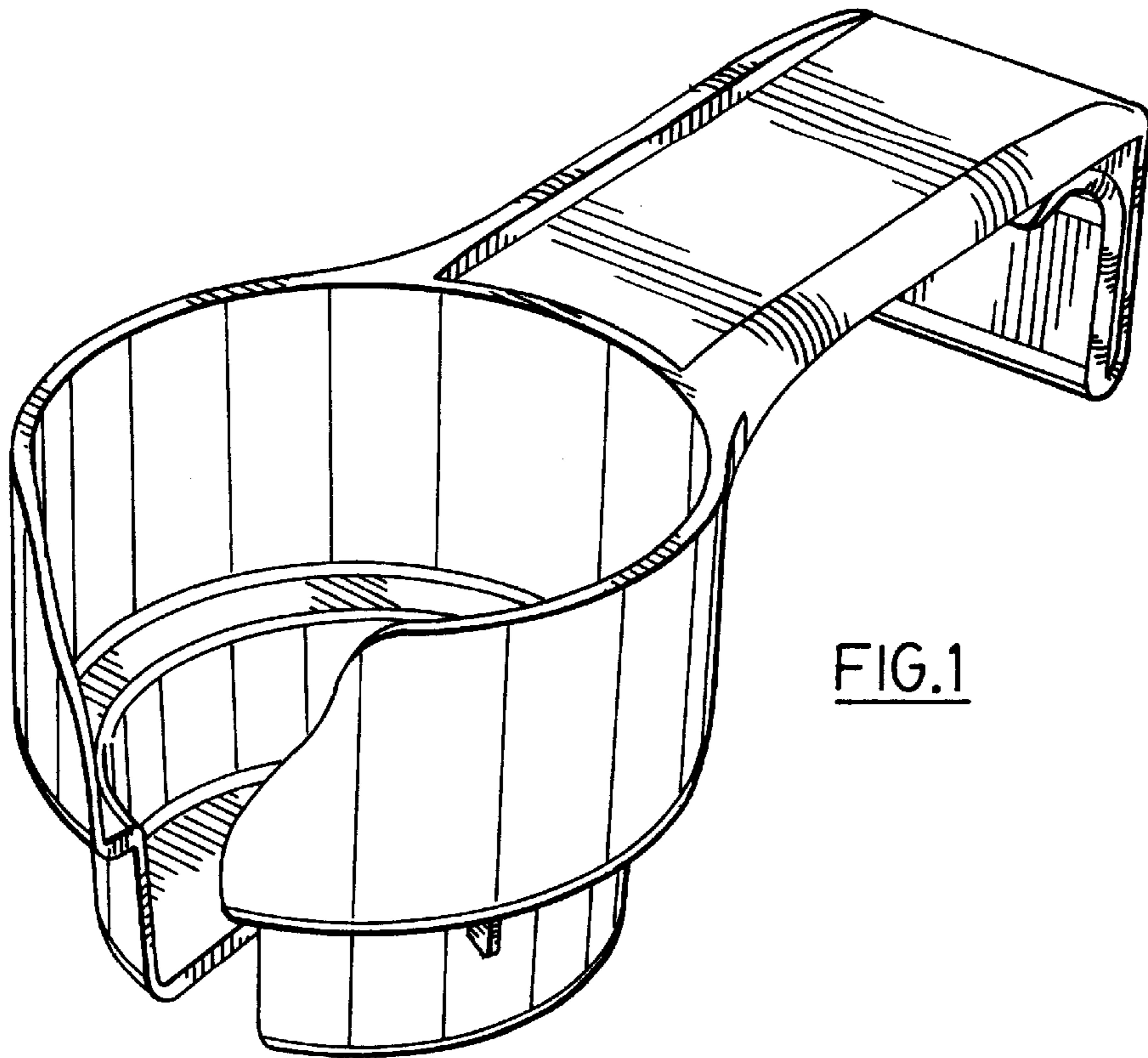


FIG.1

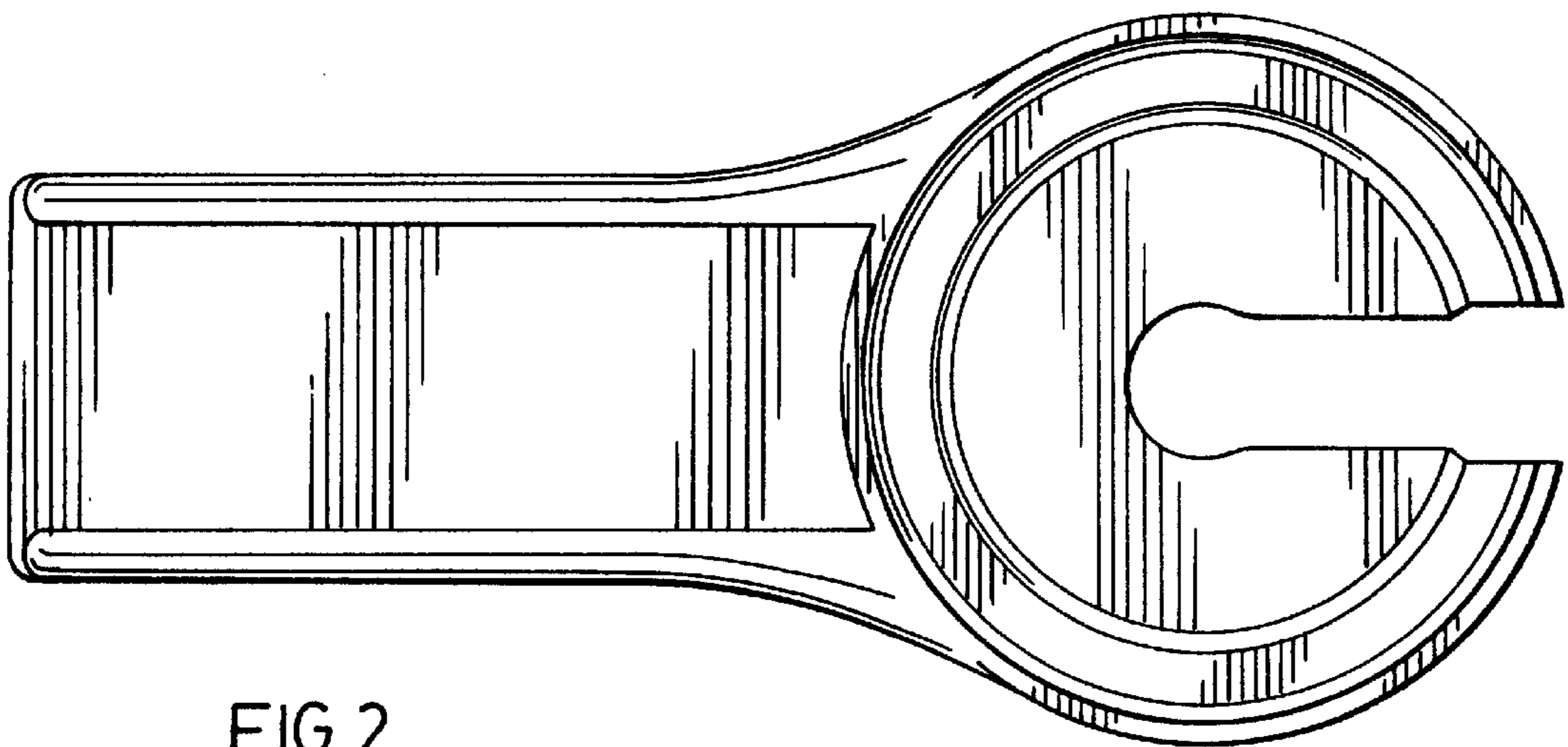


FIG.2

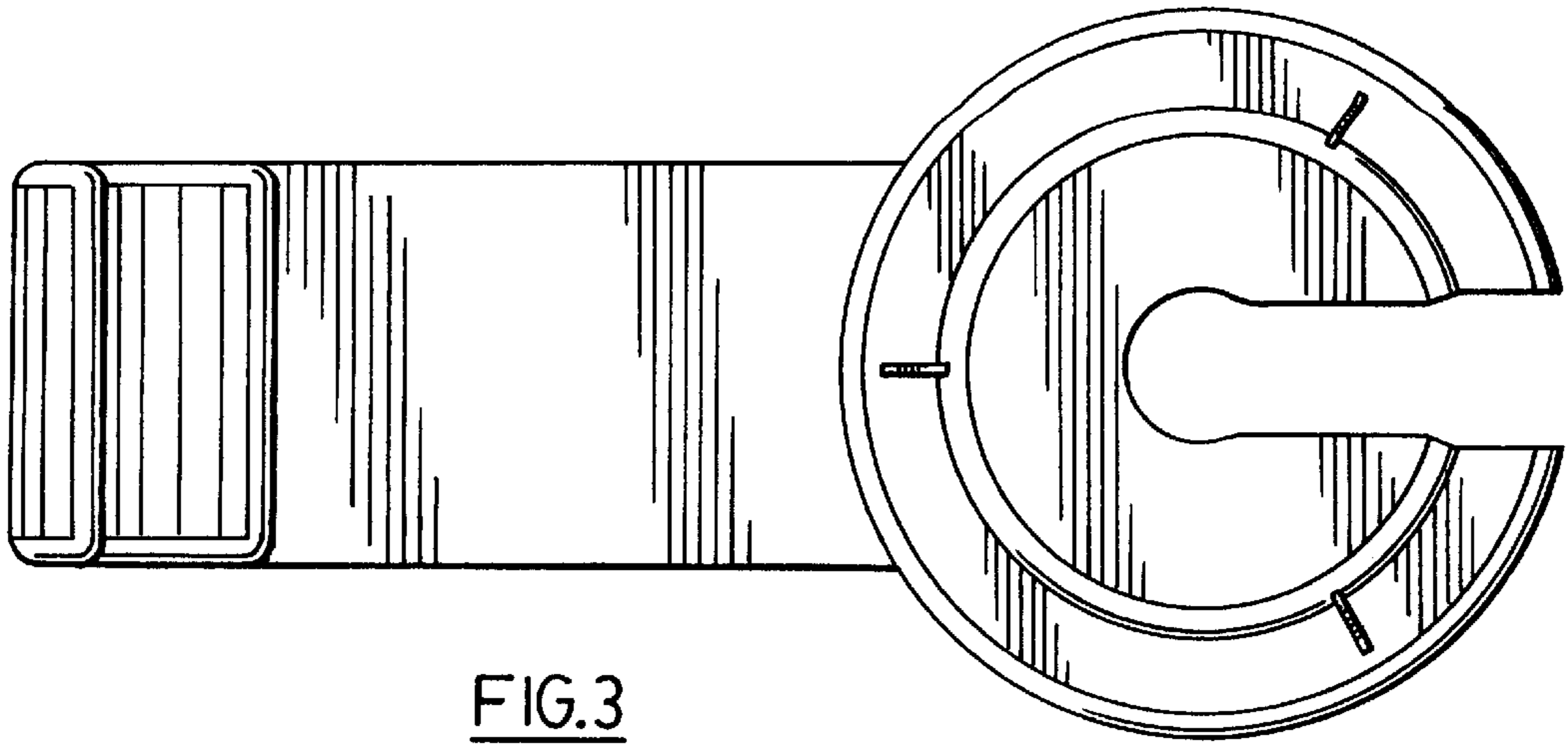


FIG. 3

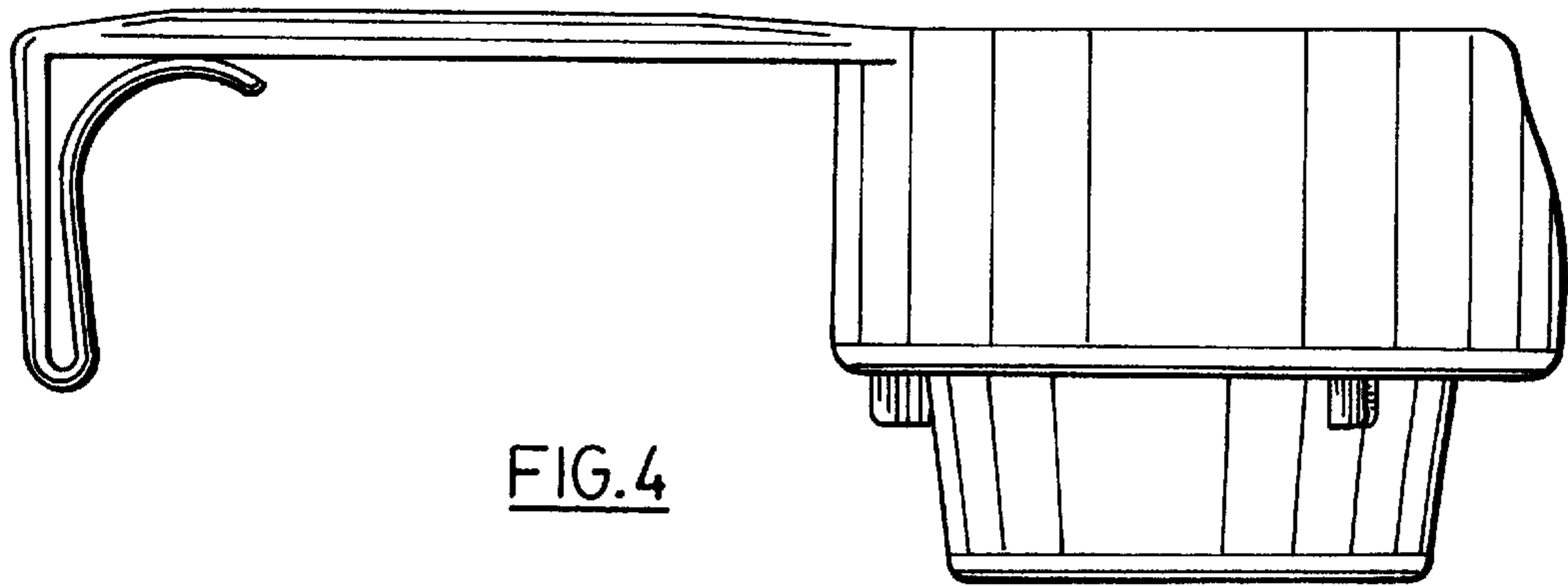


FIG. 4

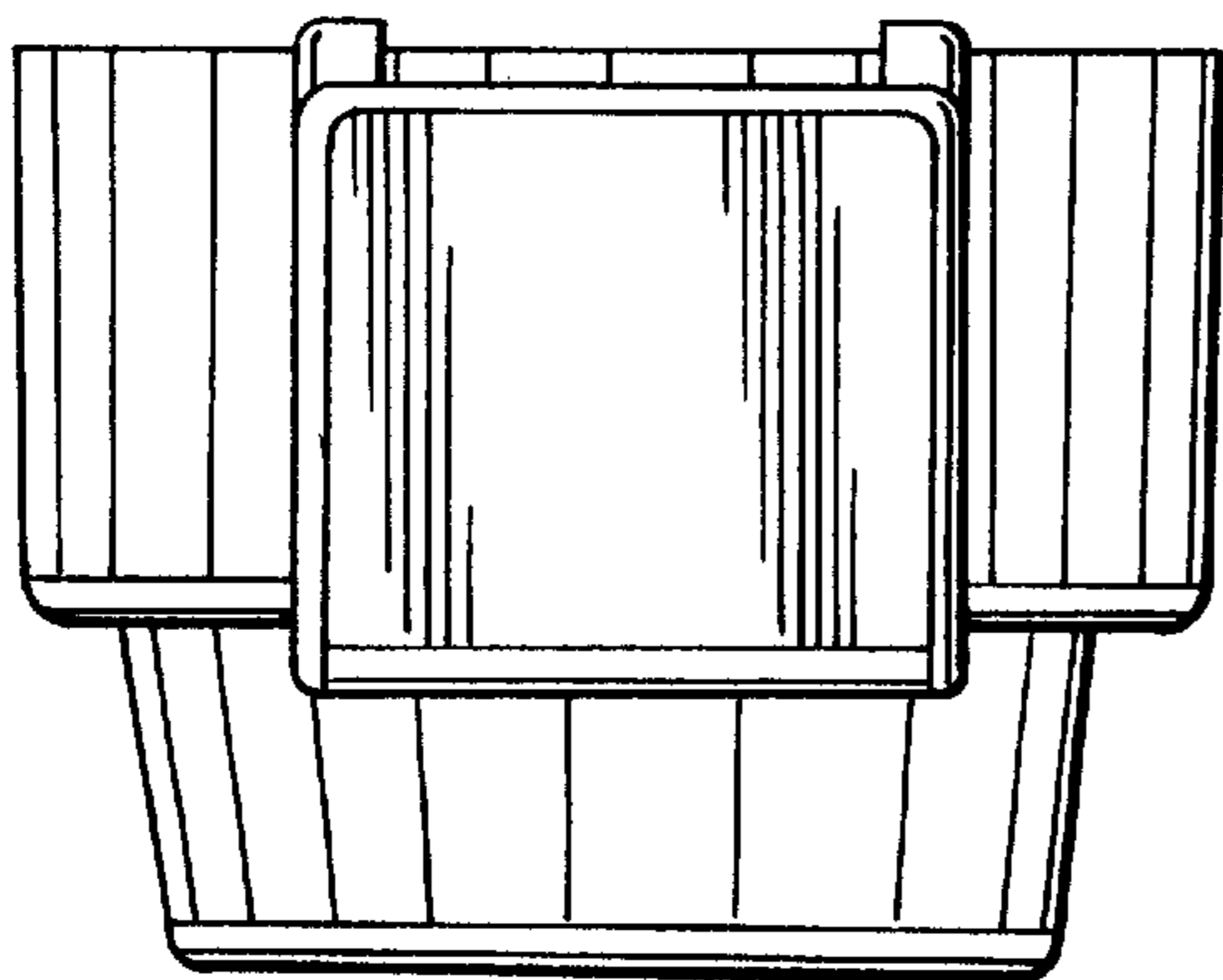


FIG. 5

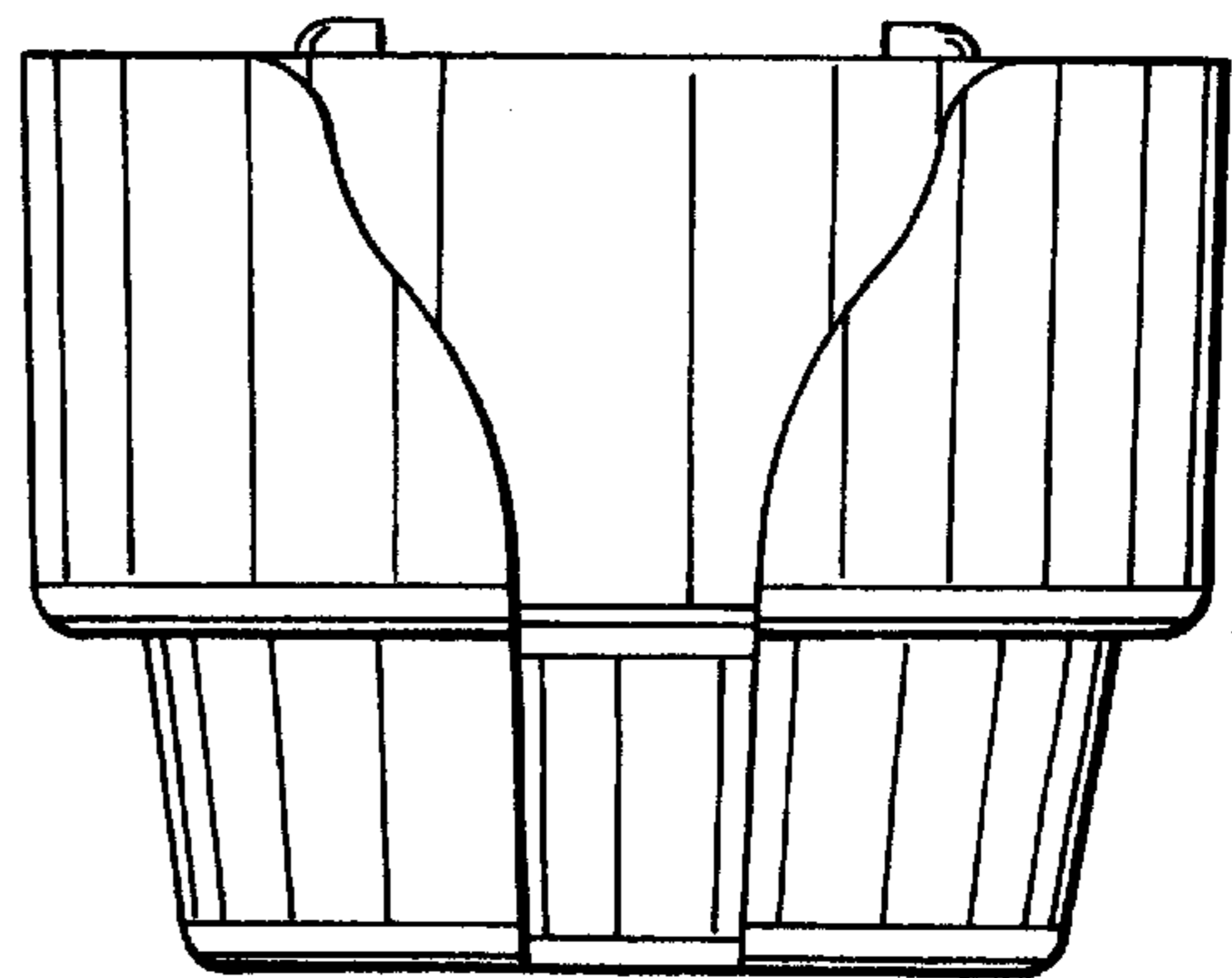


FIG. 6

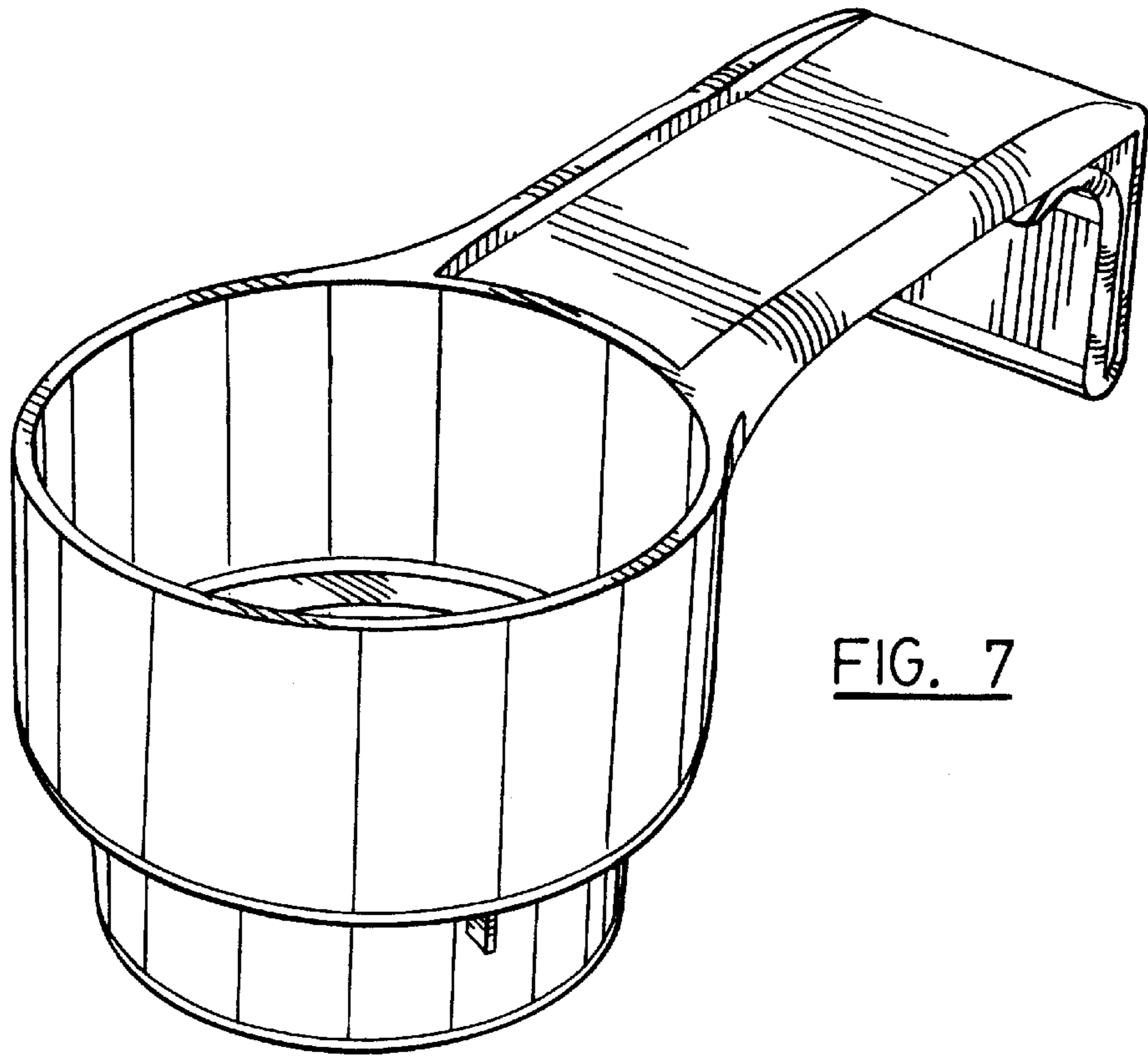


FIG. 7

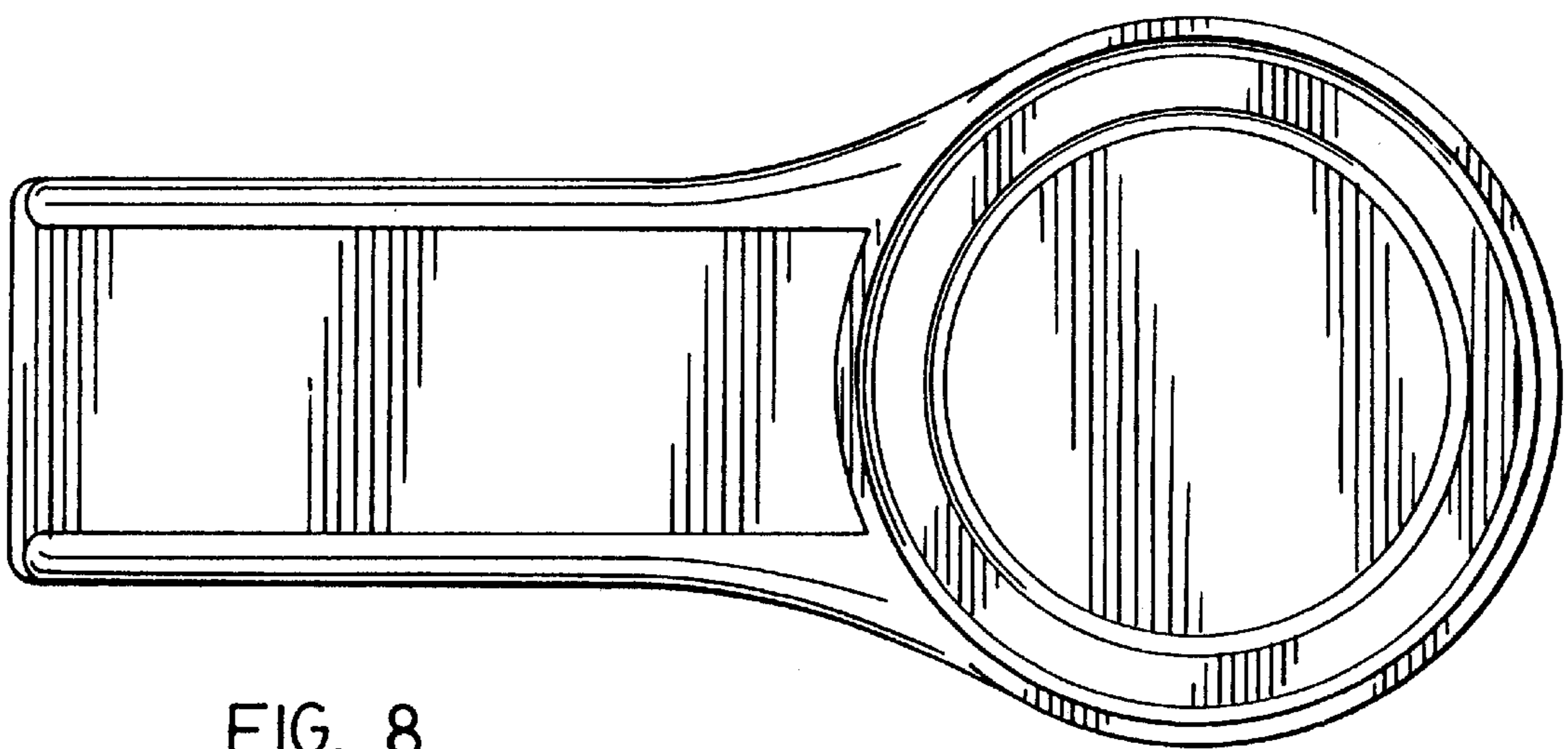


FIG. 8

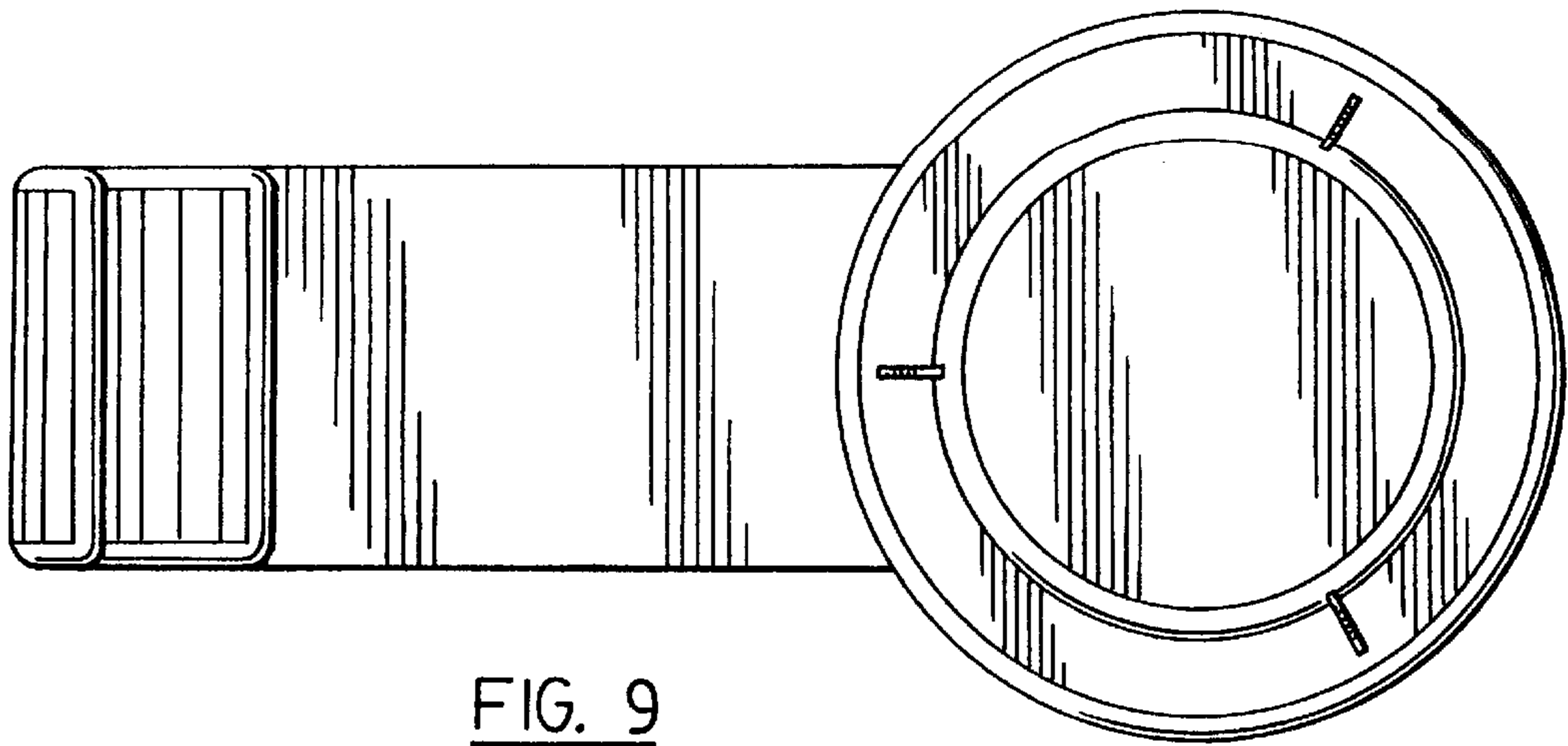


FIG. 9

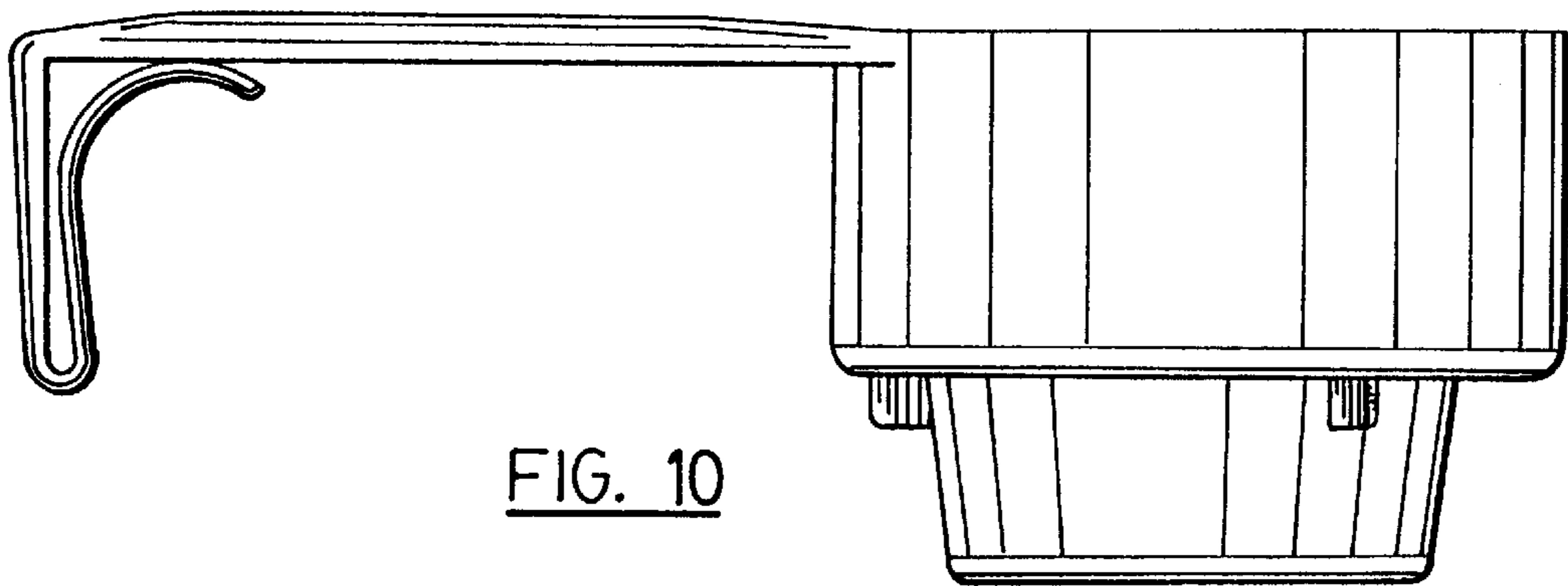


FIG. 10

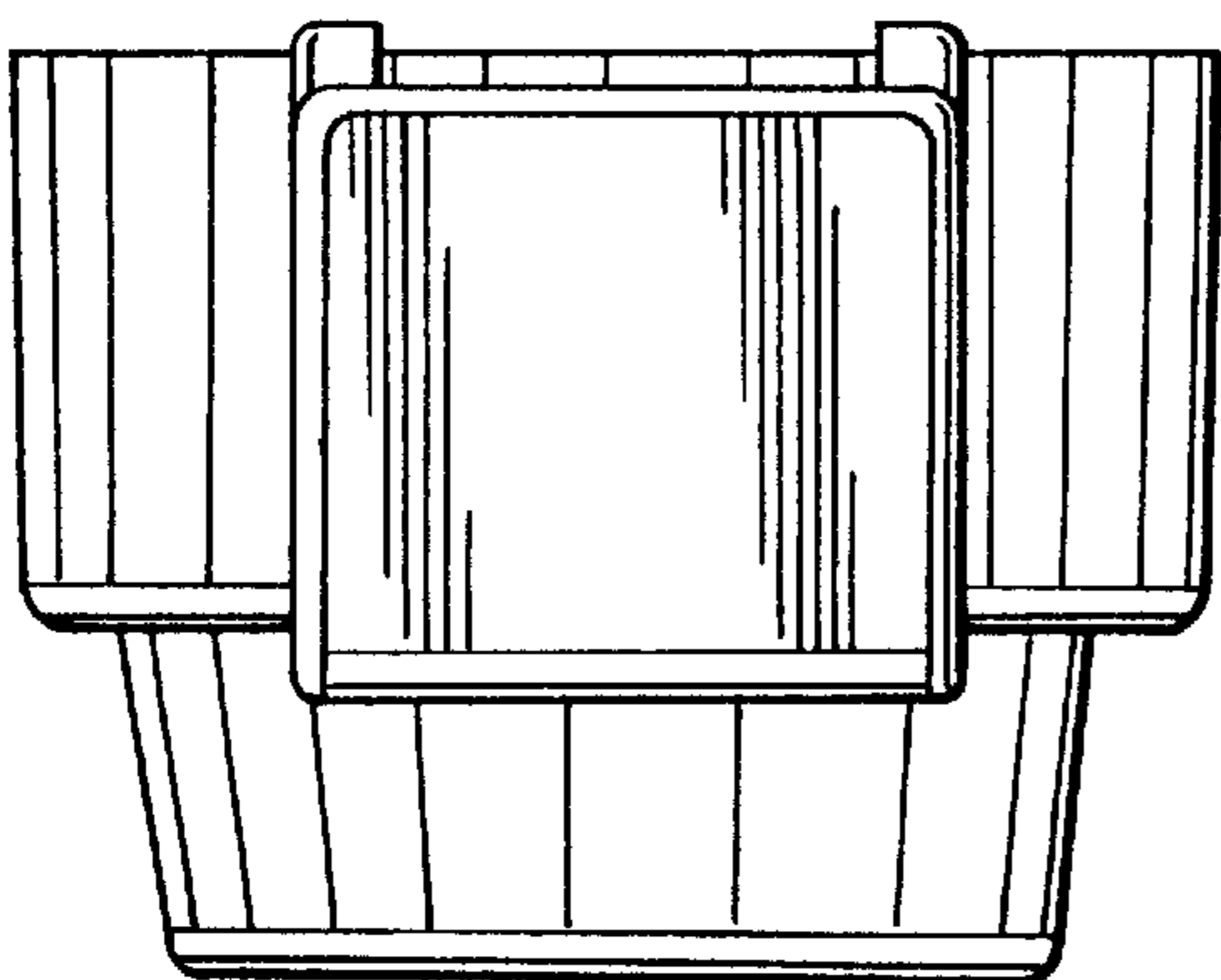


FIG. 11

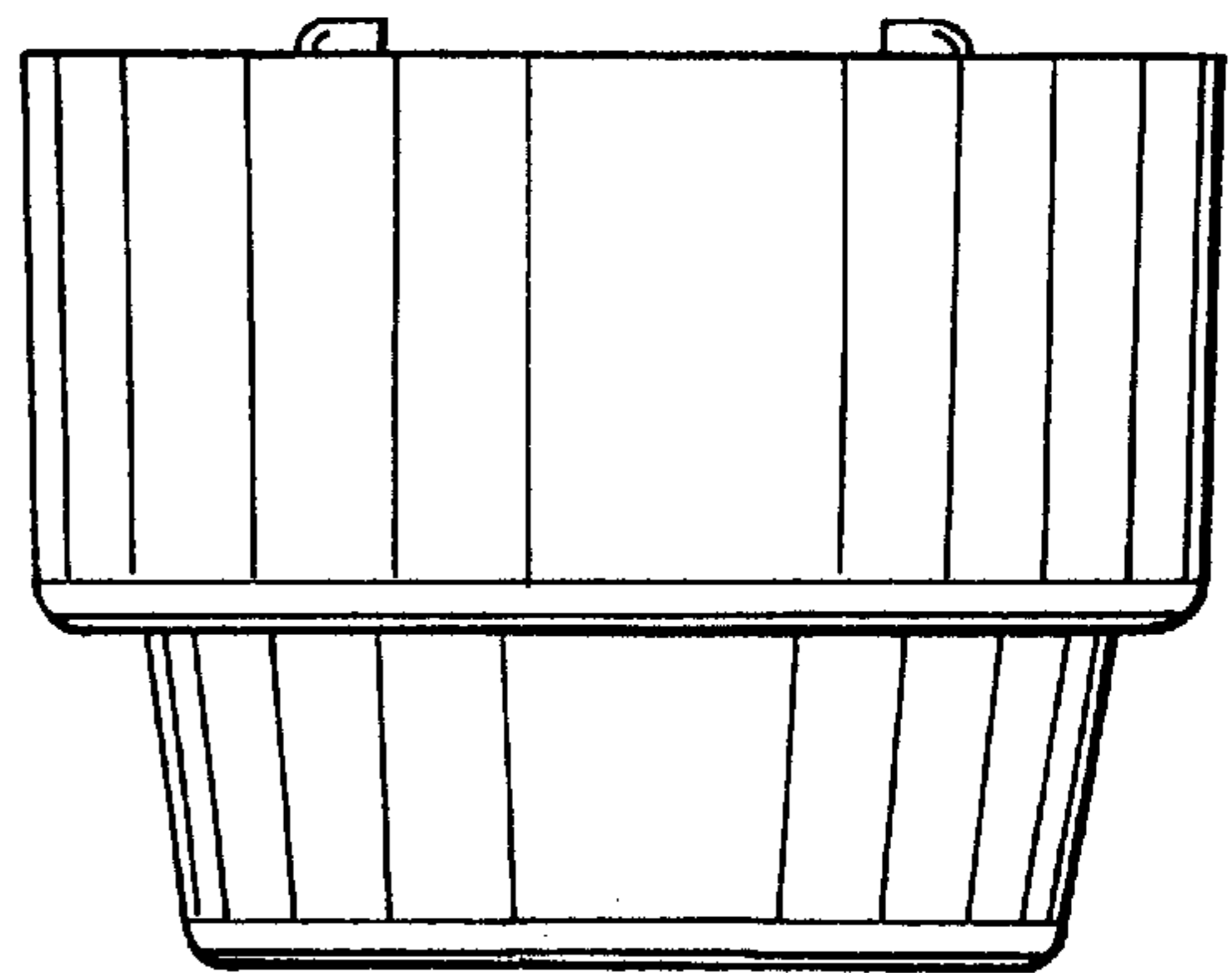


FIG. 12

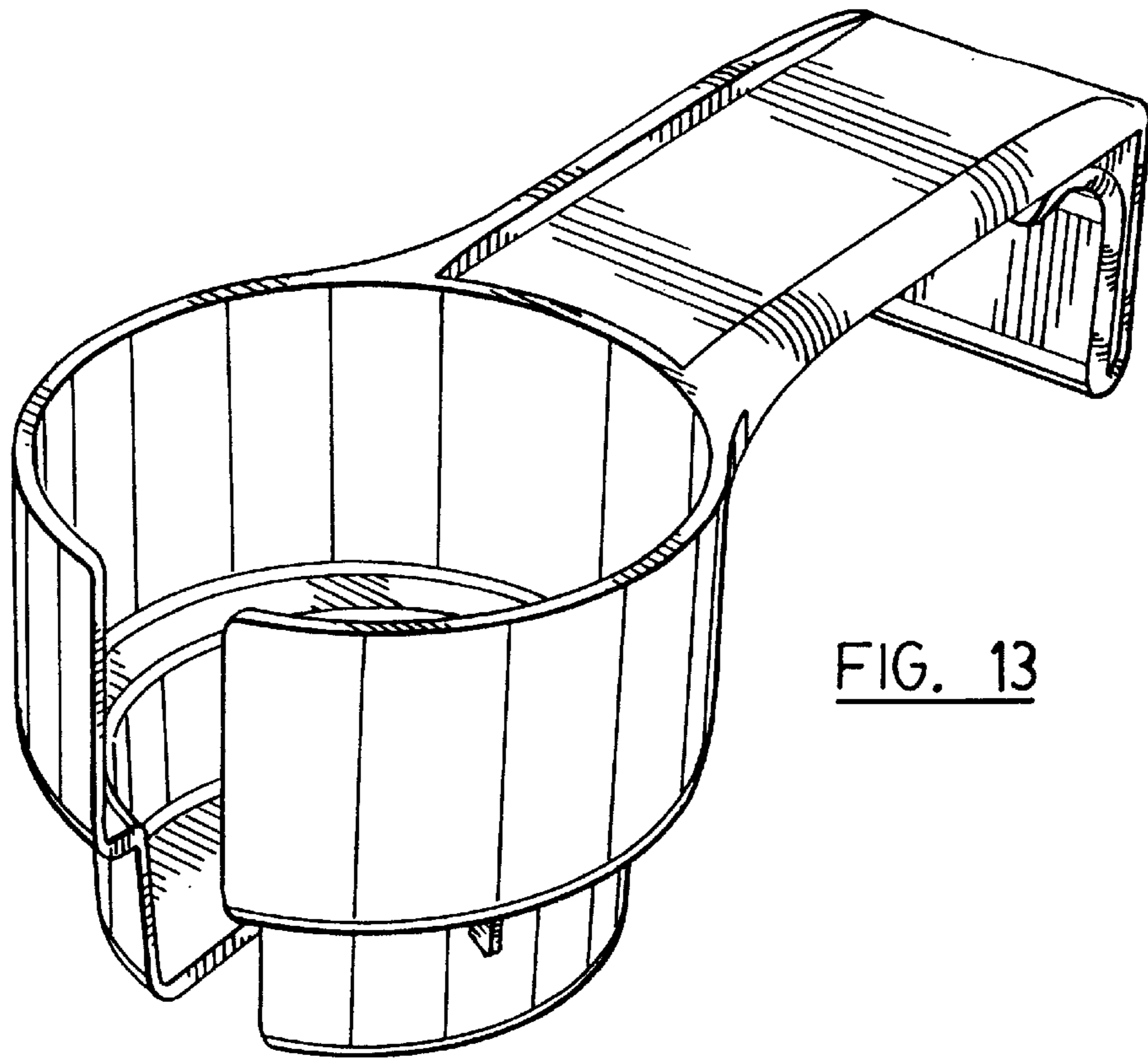


FIG. 13

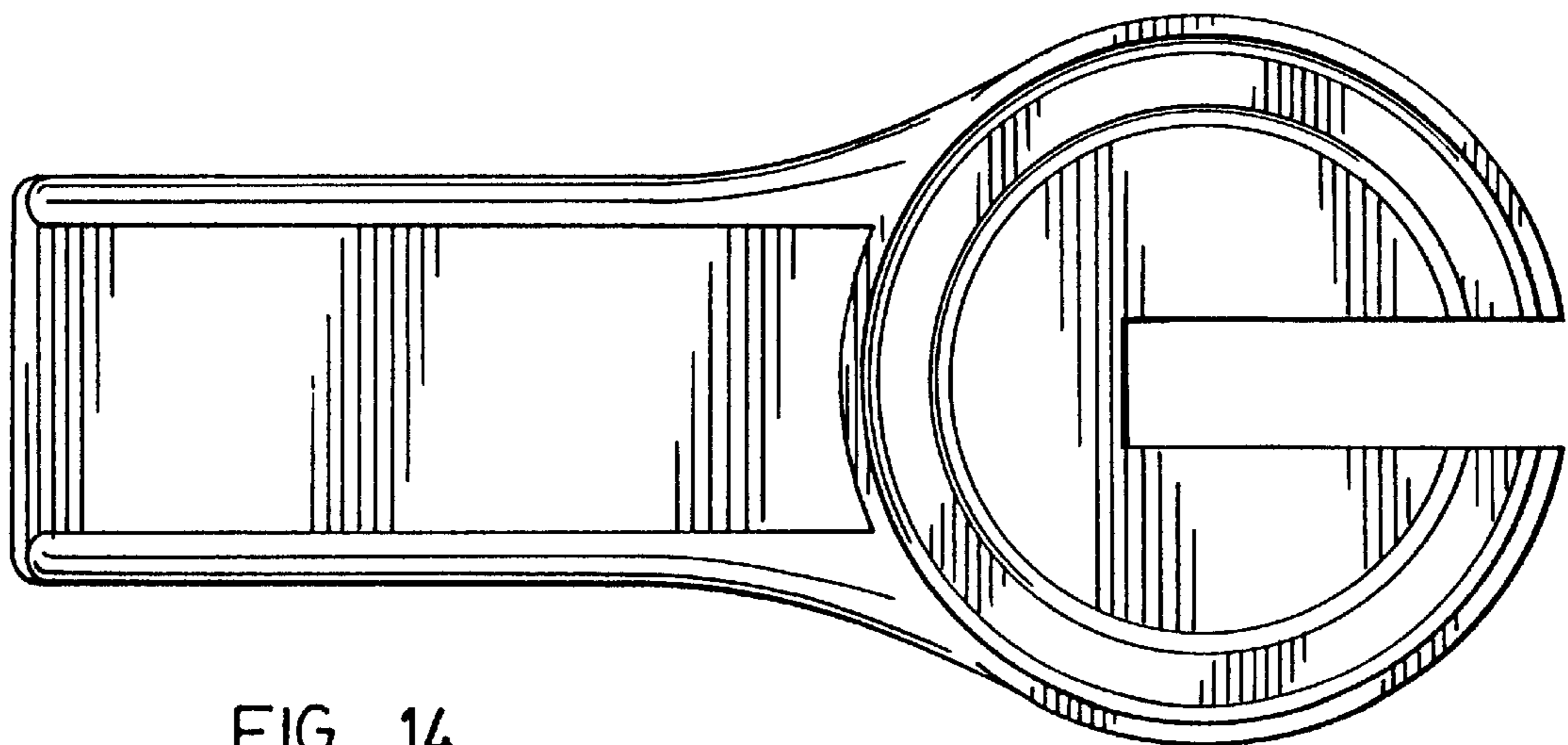
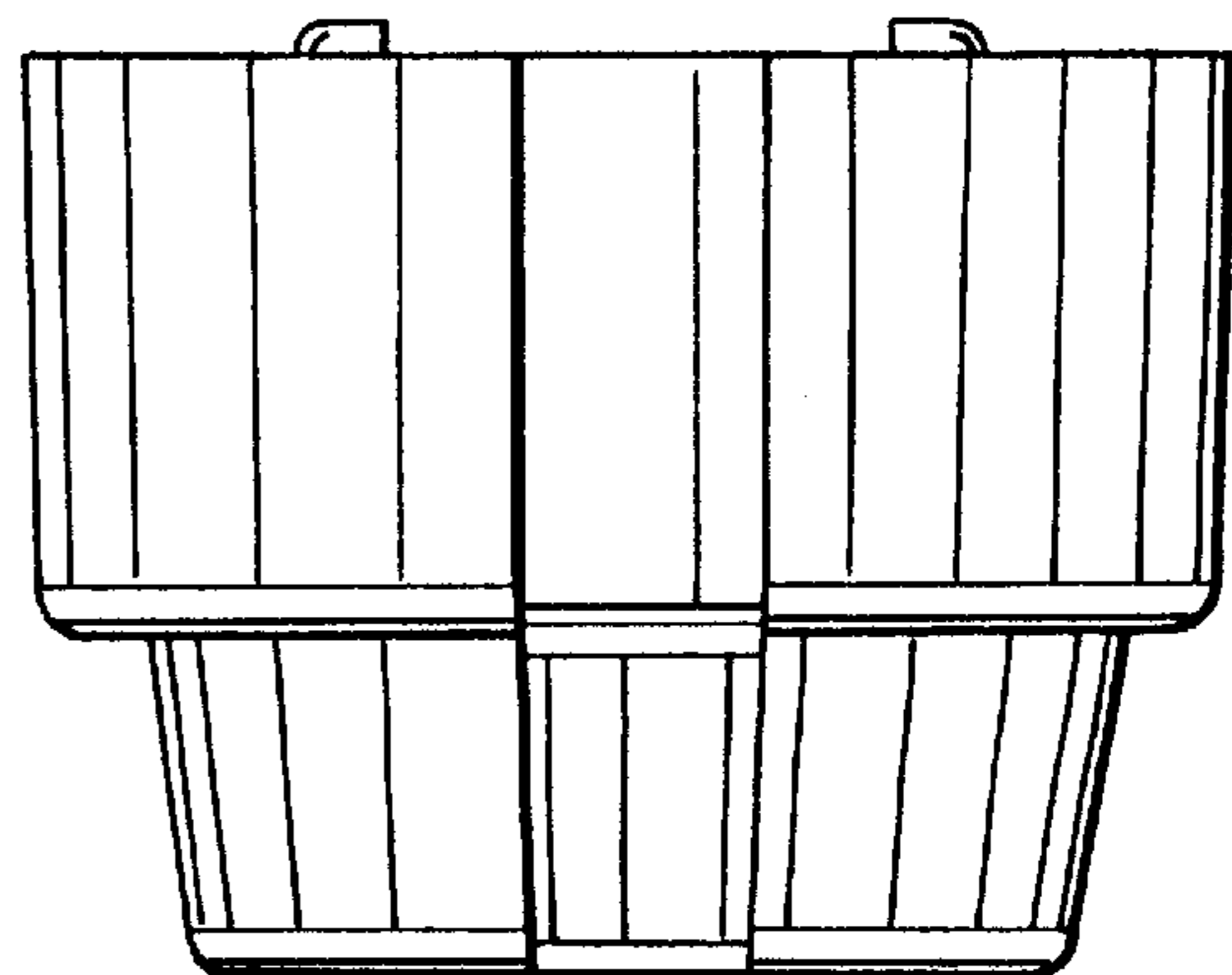
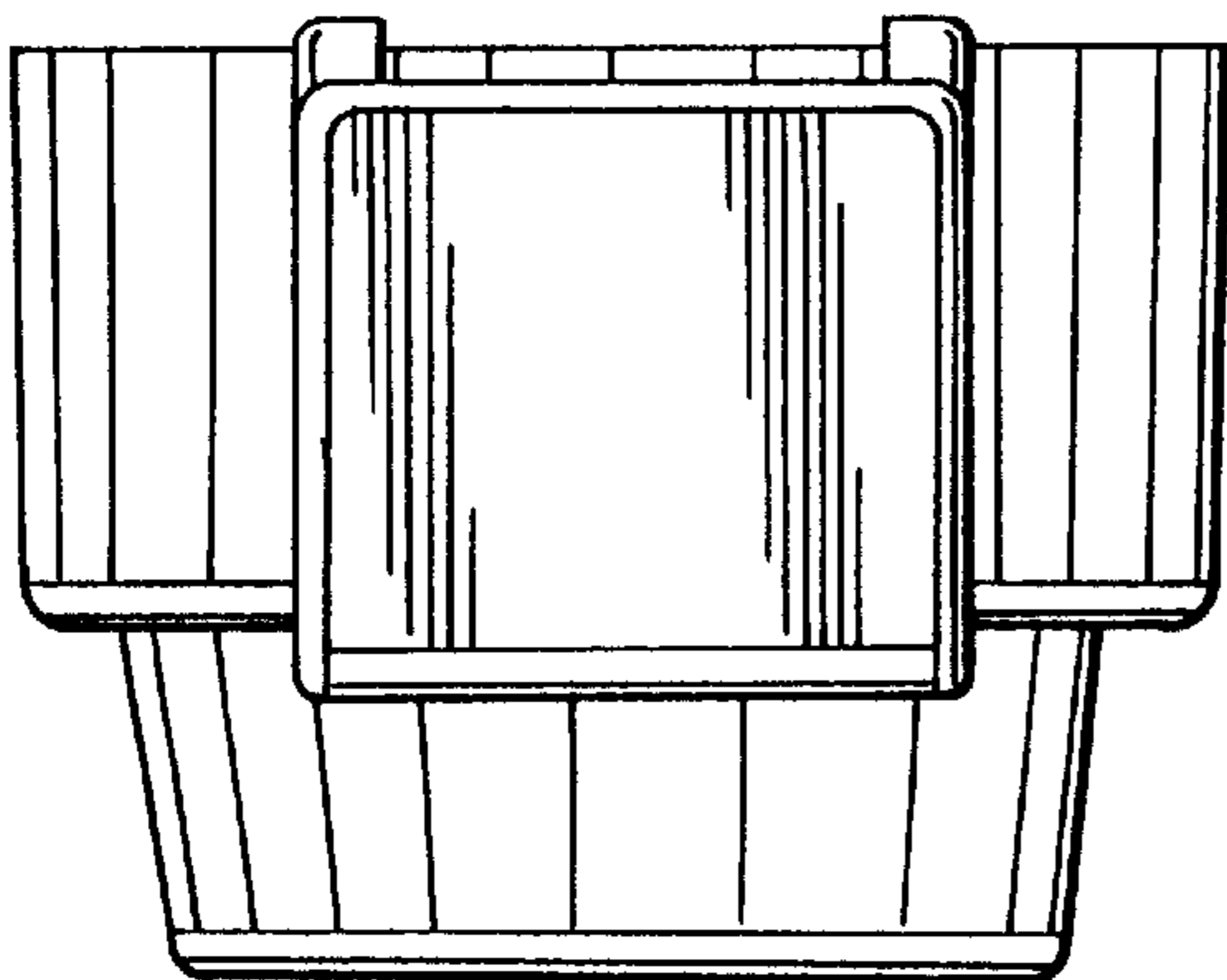
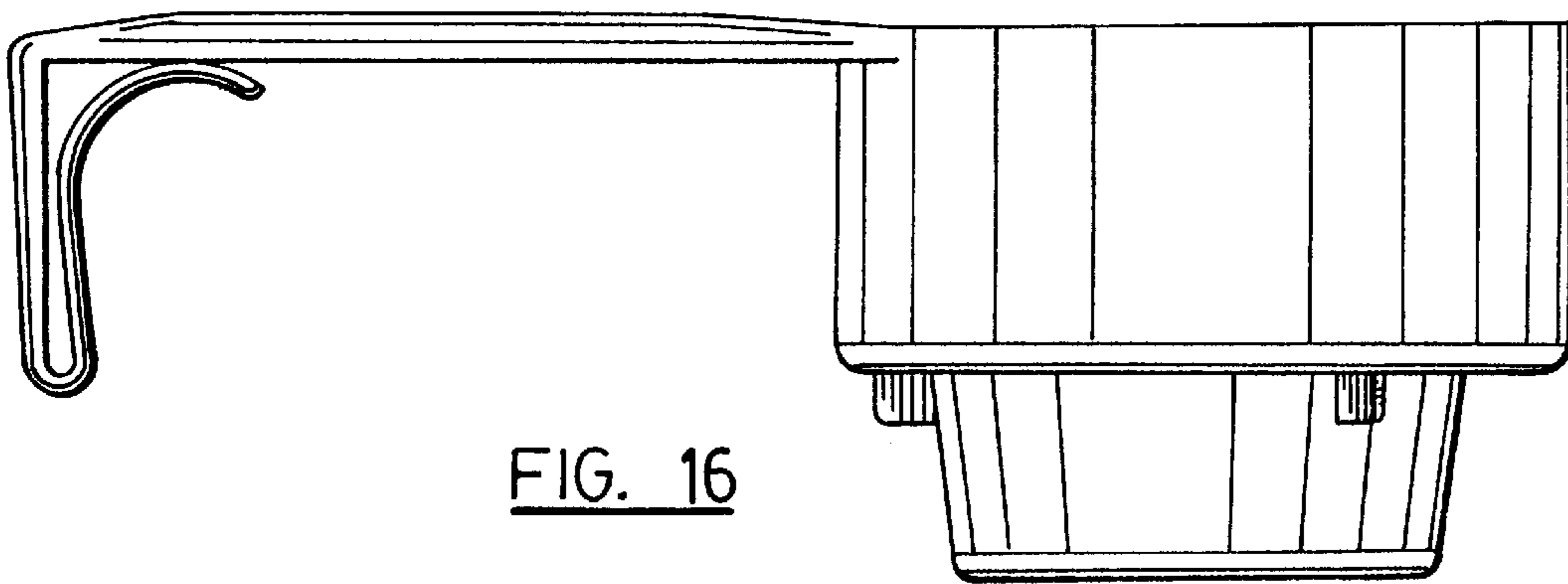
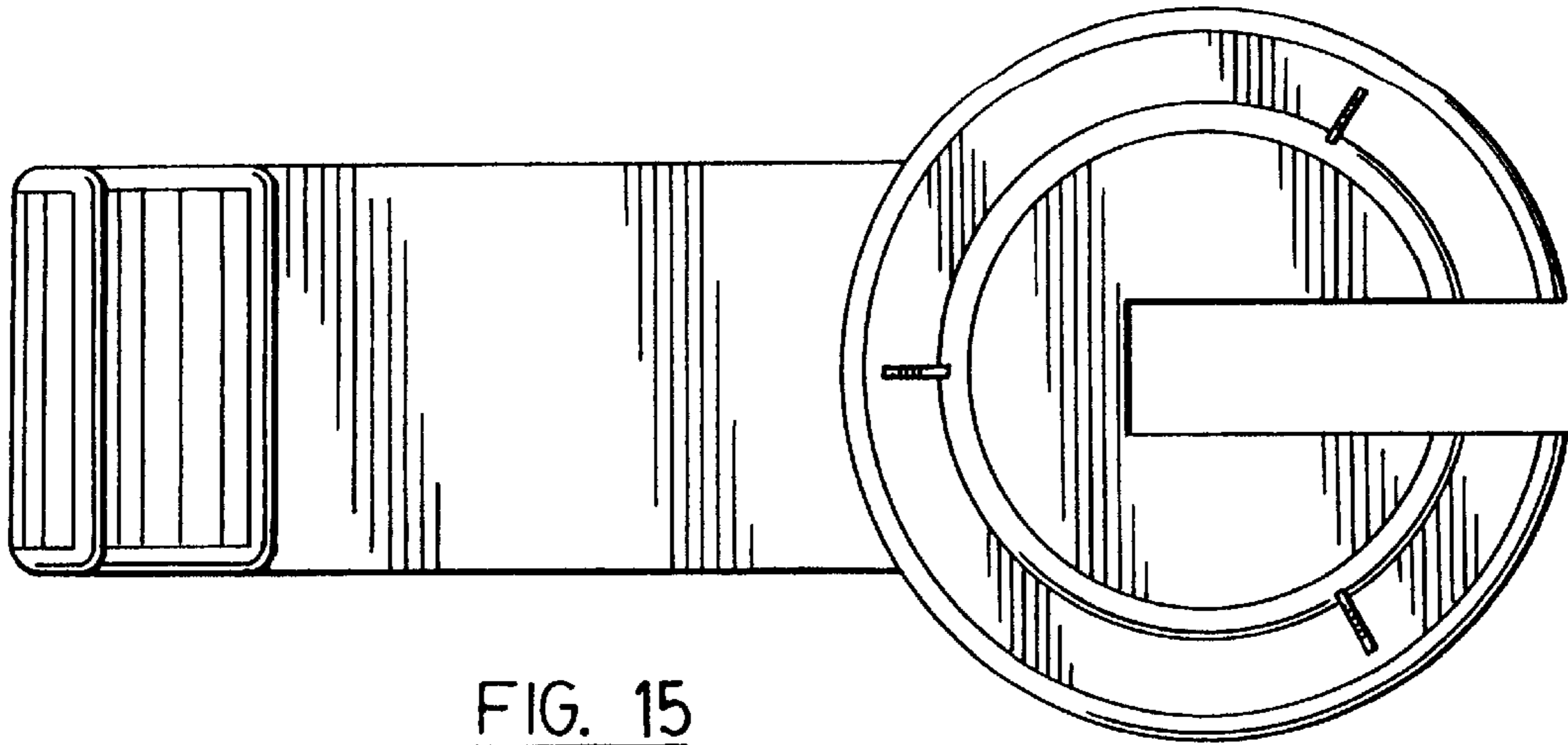


FIG. 14



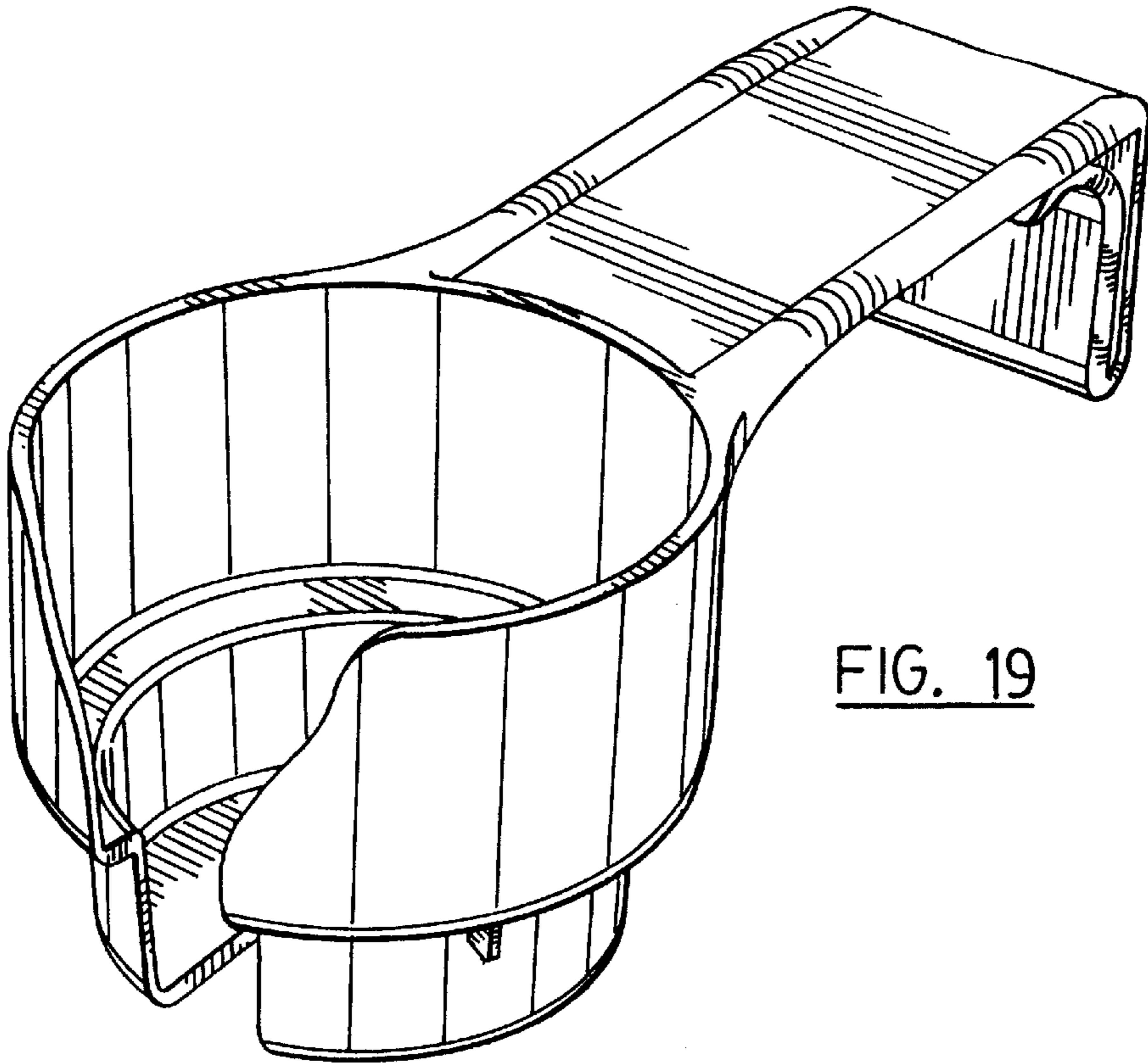


FIG. 19

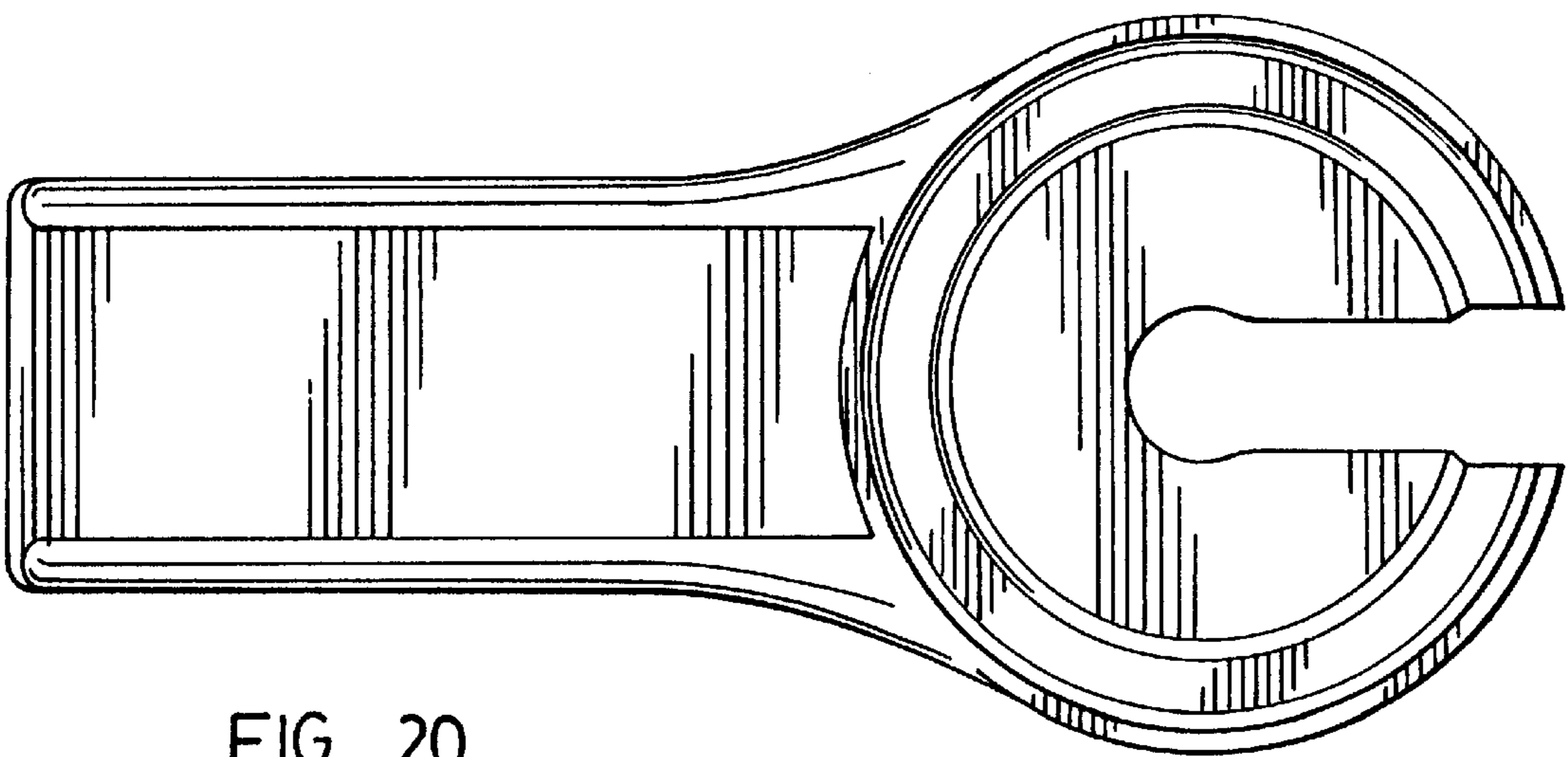


FIG. 20



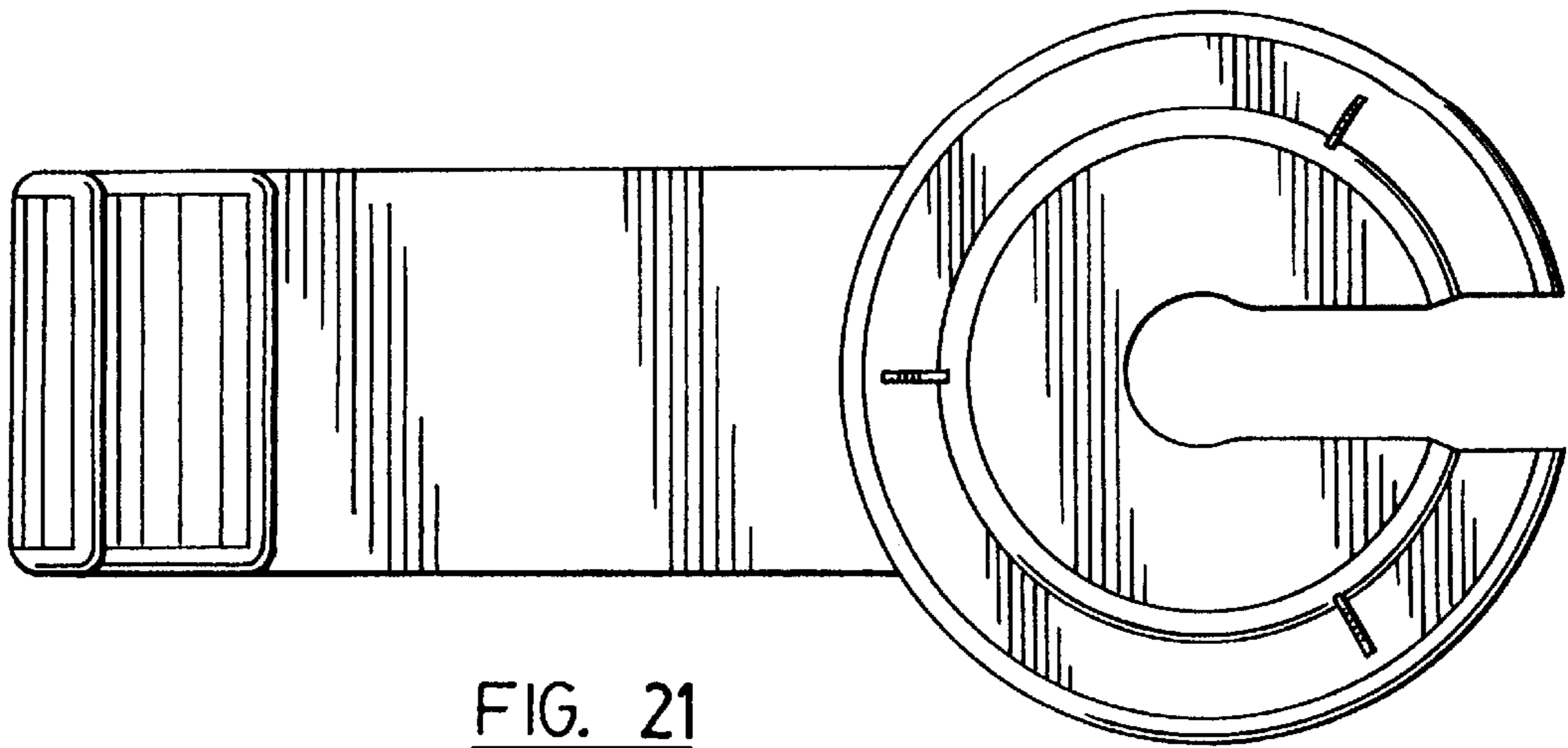


FIG. 21

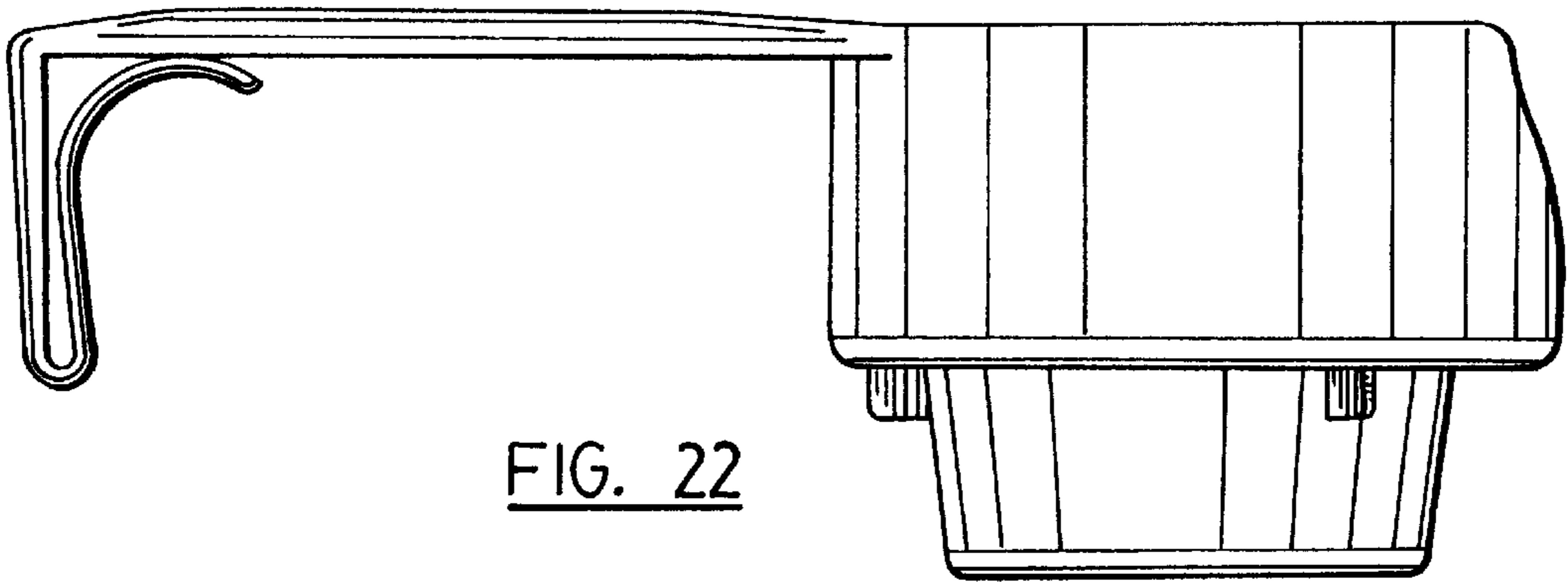


FIG. 22

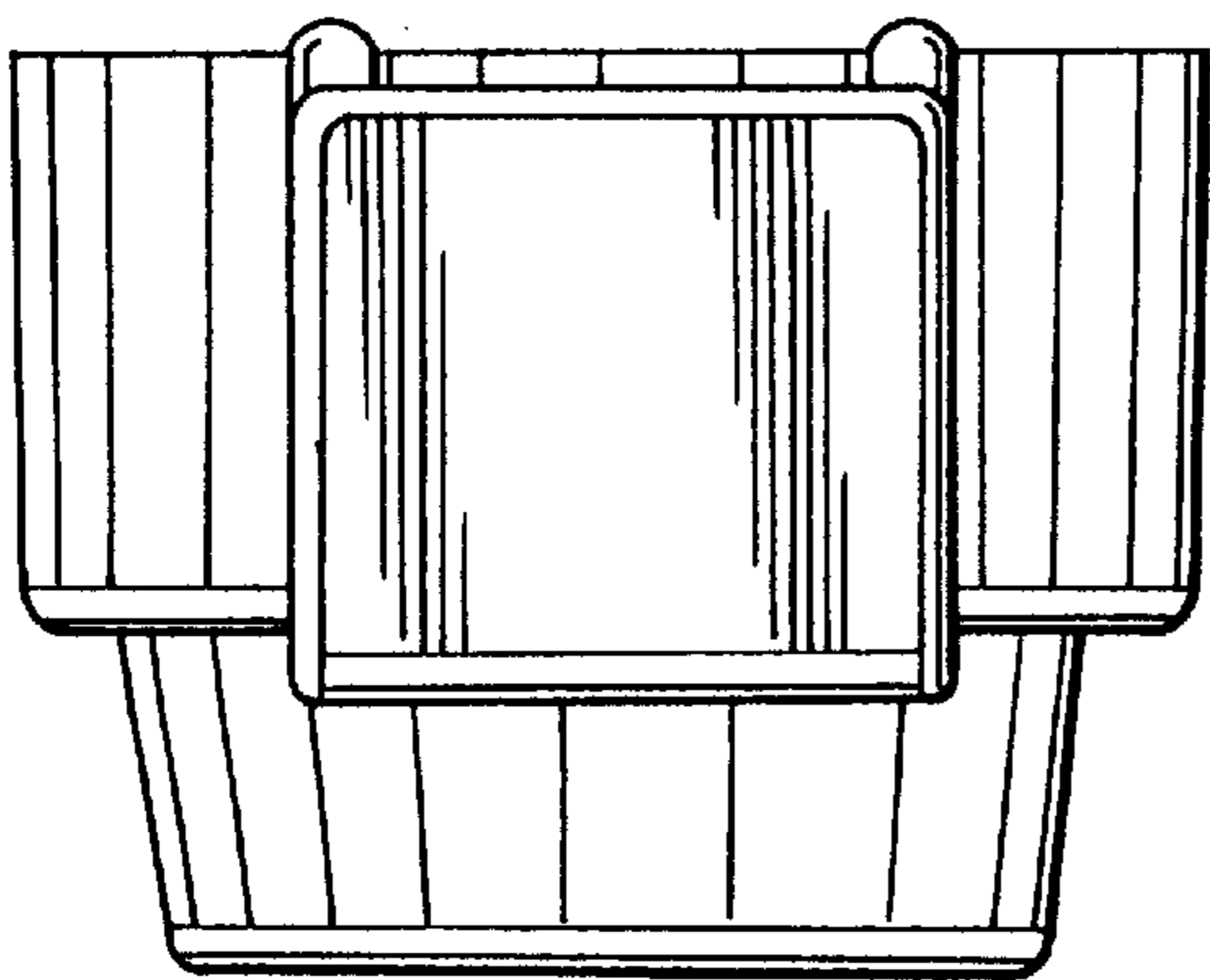


FIG. 23

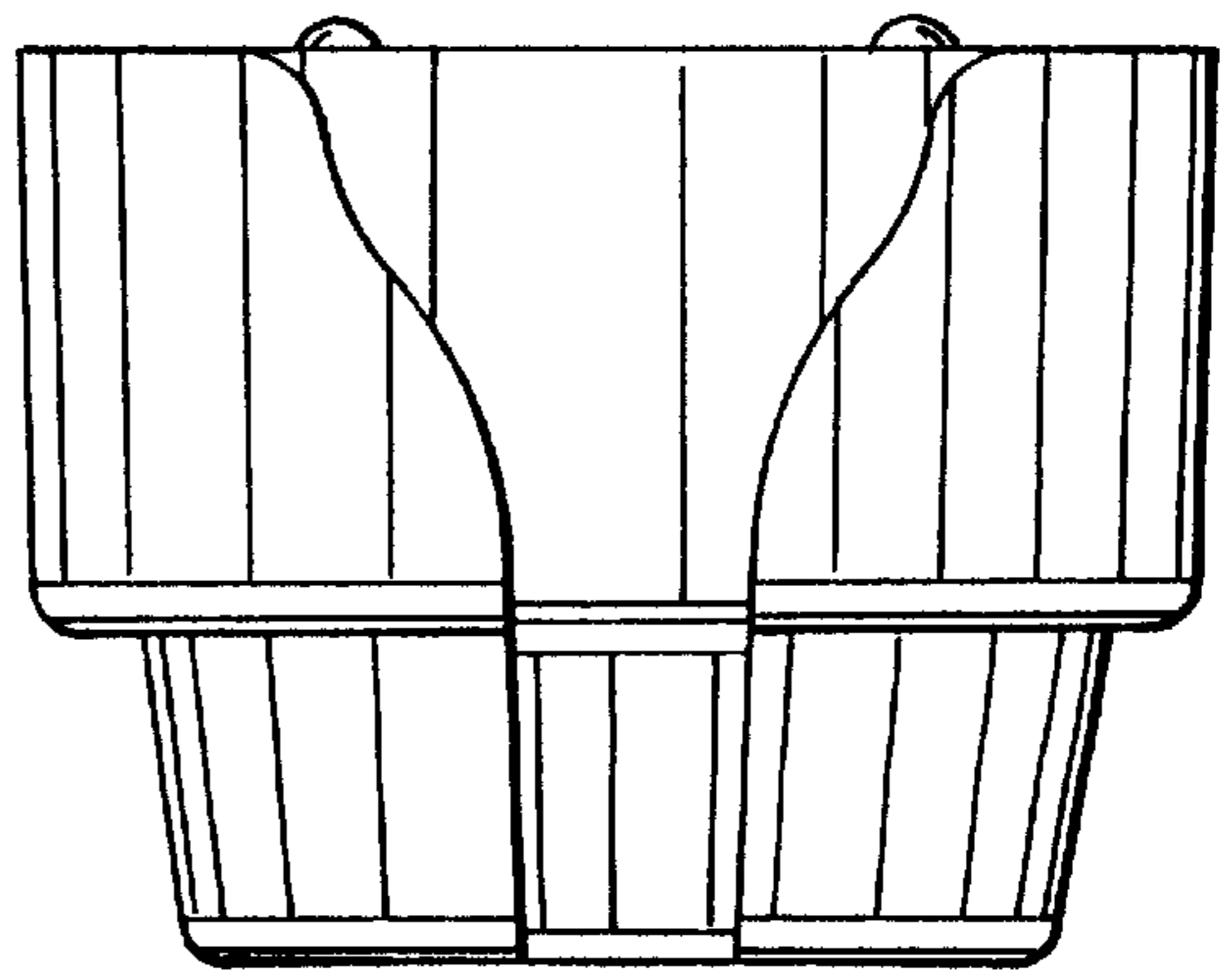


FIG. 24