



US00D413768S

# United States Patent [19] Fair

[11] Patent Number: Des. 413,768

[45] Date of Patent: \*\* Sep. 14, 1999

[54] JUG JACKET

[75] Inventor: Paul Fair, Denver, Colo.

[73] Assignee: Outer Circle Products, Ltd., Chicago, Ill.

[\*\*] Term: 14 Years

[21] Appl. No.: 29/092,962

[22] Filed: Aug. 31, 1998

[51] LOC (6) Cl. .... 07-01

[52] U.S. Cl. .... D7/605

[58] Field of Search ..... D7/624, 607; D3/229, D3/202; 62/457.1-457.3, 529, 530; 220/737, 739, 410-412; 383/80, 86, 109, 110

[56] **References Cited**

U.S. PATENT DOCUMENTS

D. 273,833	5/1984	Taylor et al. .	
D. 310,942	10/1990	Woodall .	
D. 315,477	3/1991	Shearer .	
D. 349,010	7/1994	Johnson .	
D. 373,677	9/1996	Kelly .	
D. 385,106	10/1997	Melk .	
D. 388,663	1/1998	Rausch .....	D7/624
D. 391,120	2/1998	Melk .	
D. 393,572	4/1998	Melk .....	D7/608
1,228,258	5/1917	Sullivan .....	383/86

2,610,757	9/1952	Irvine .	
3,085,612	4/1963	Gobel .	
4,514,993	5/1985	Johnson .	
4,526,280	7/1985	Taylor .	
4,802,602	2/1989	Evans et al. .	
5,005,374	4/1991	Spitler .	
5,680,958	10/1997	Mann et al. ....	220/739
5,848,734	12/1998	Melk .....	383/80 X

Primary Examiner—Mitchell I Siegel  
Attorney, Agent, or Firm—Trexler, Bushnell, Giangiorgi & Blackstone, Ltd.

[57] **CLAIM**

The ornamental design for a jug jacket, as shown and described.

**DESCRIPTION**

FIG. 1 is a top, left side, perspective view of a jug jacket of the present design;  
FIG. 2 is a front elevational view thereof;  
FIG. 3 is a top plan view thereof;  
FIG. 4 is a rear elevational view thereof;  
FIG. 5 is a left side elevational view thereof;  
FIG. 6 is a right side elevational view thereof; and,  
FIG. 7 is a bottom plan view thereof.  
The broken line showing of the cap portion of the jug is for illustrative purposes only and forms no part of the claimed design.

**1 Claim, 2 Drawing Sheets**

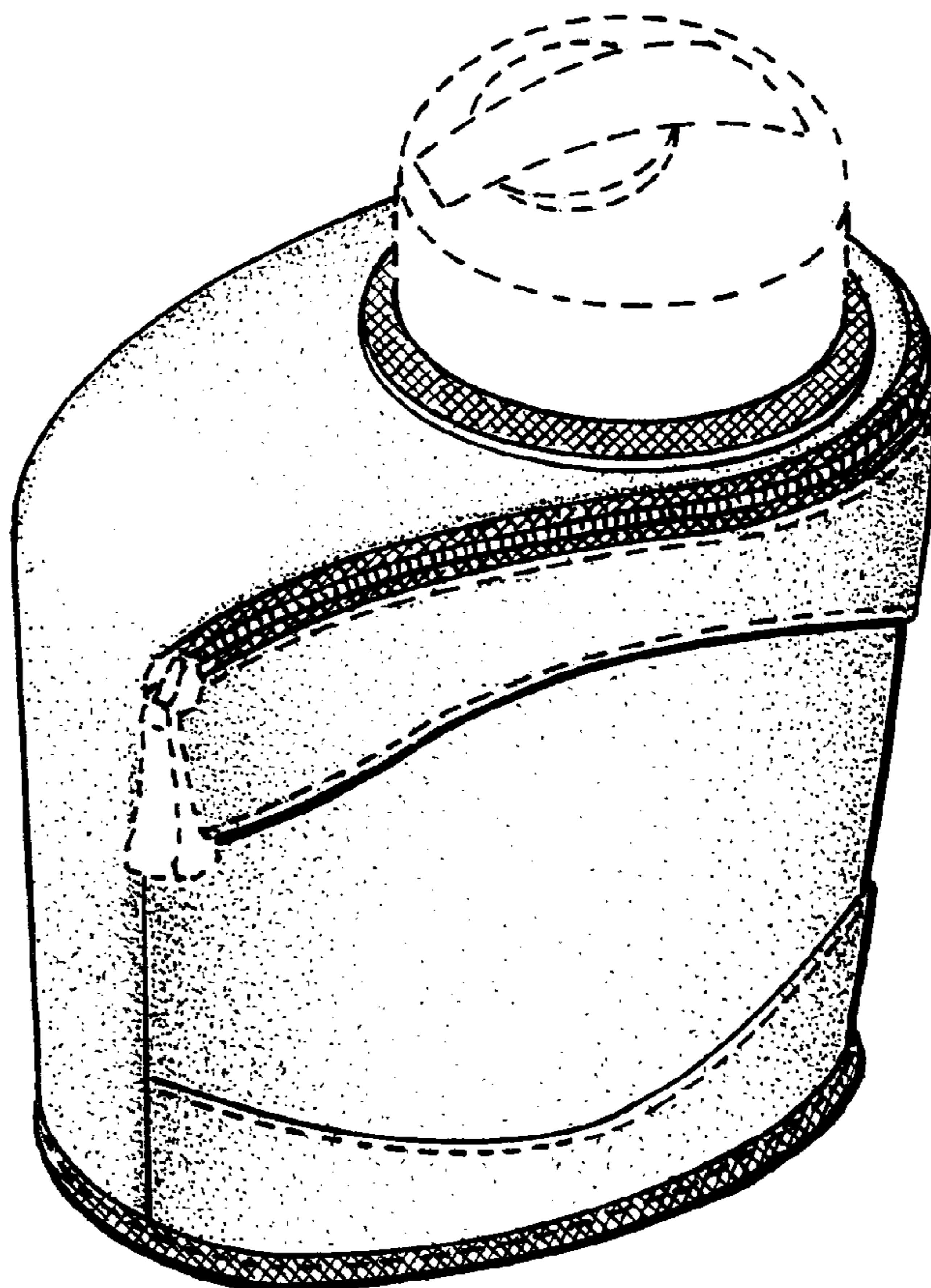


FIG.1

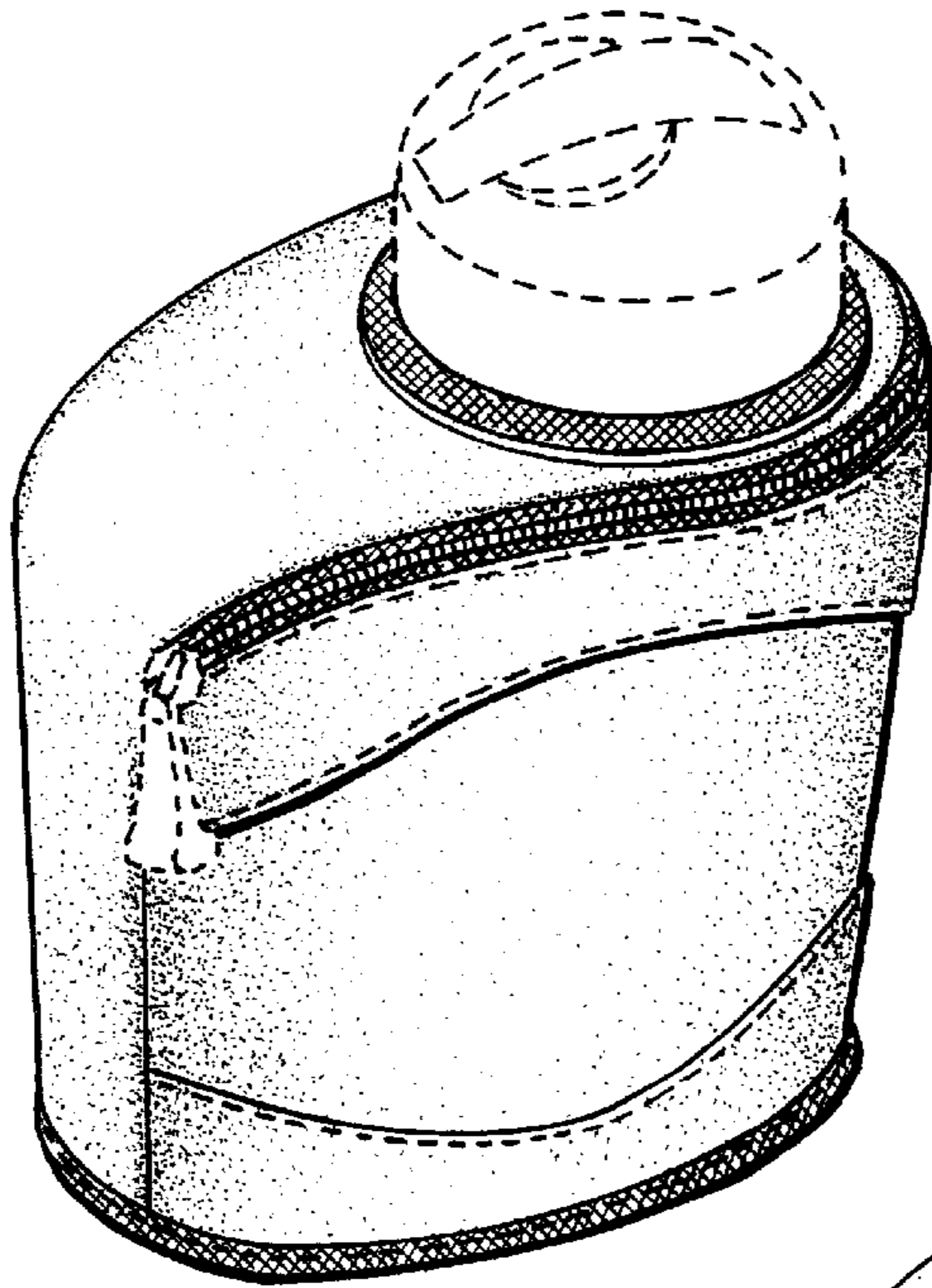


FIG.2

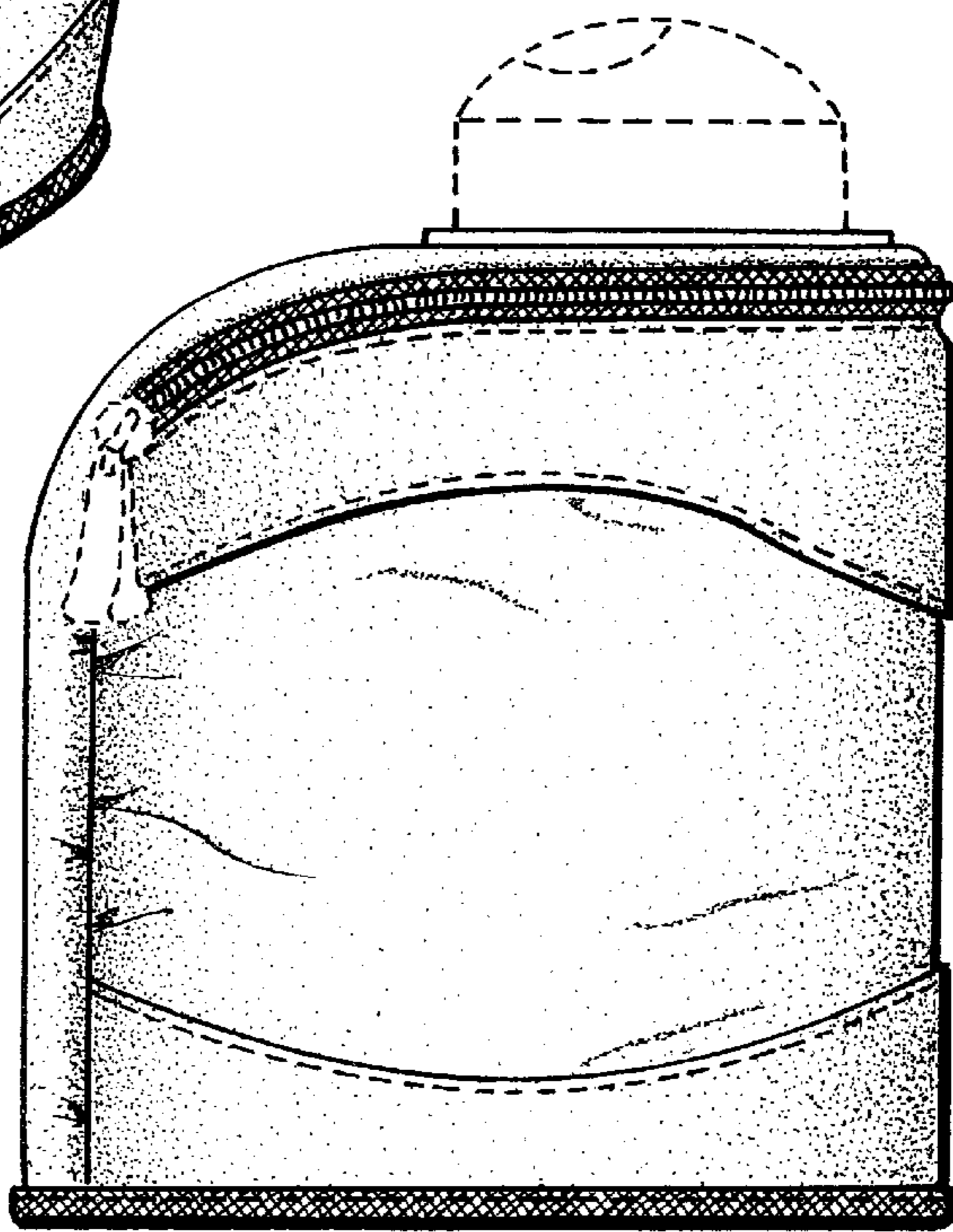


FIG.3

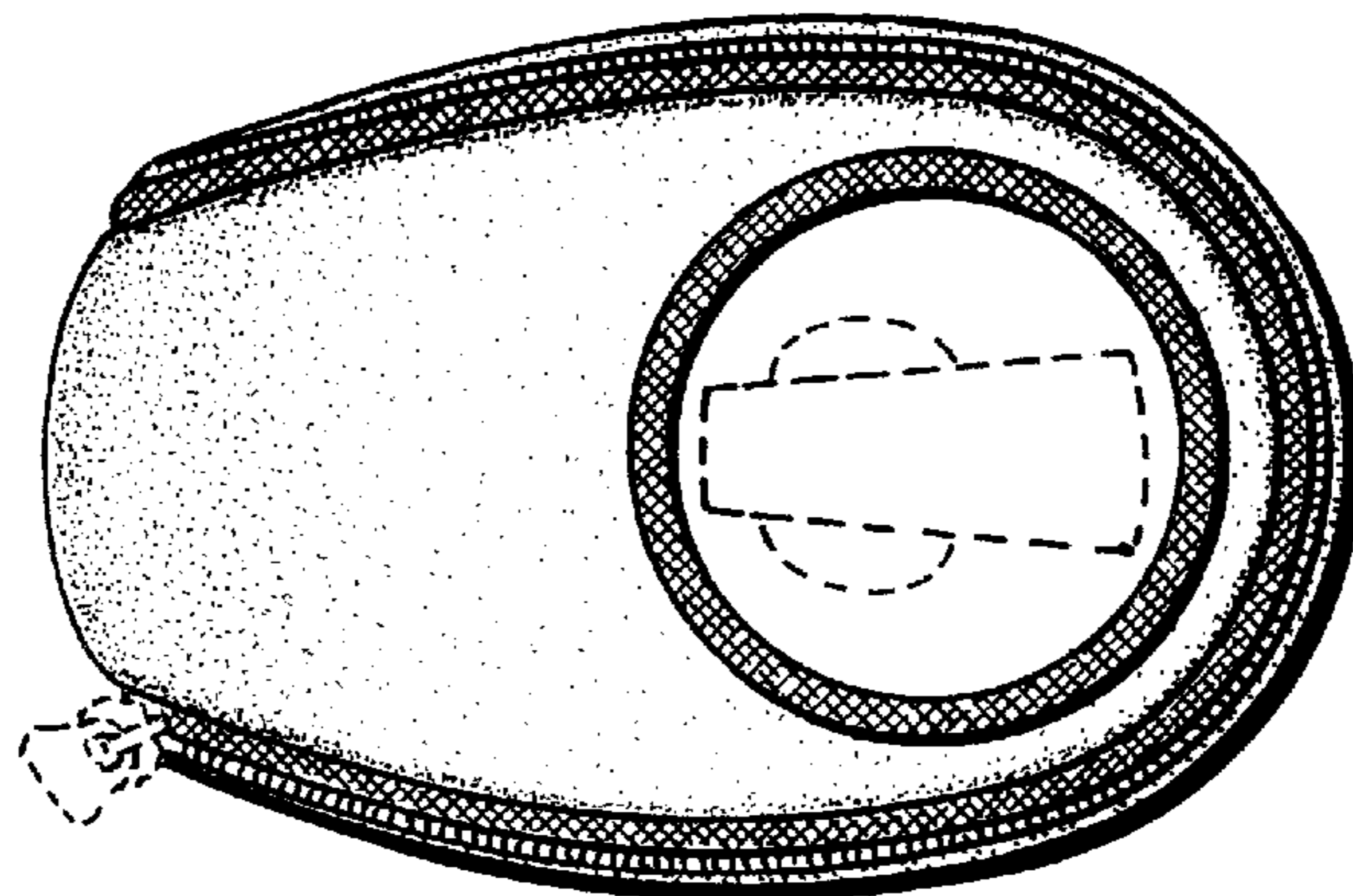


FIG. 4

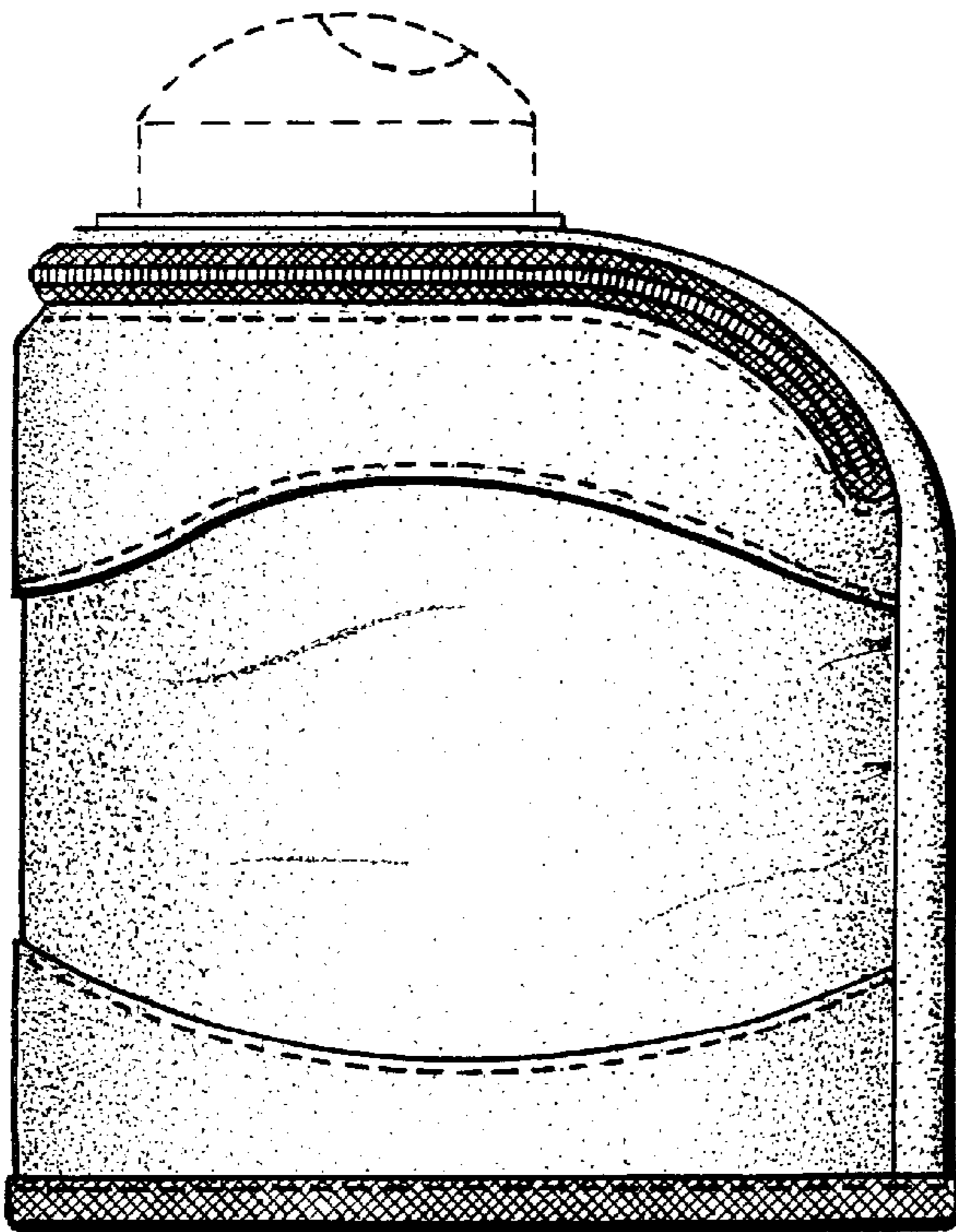


FIG. 5

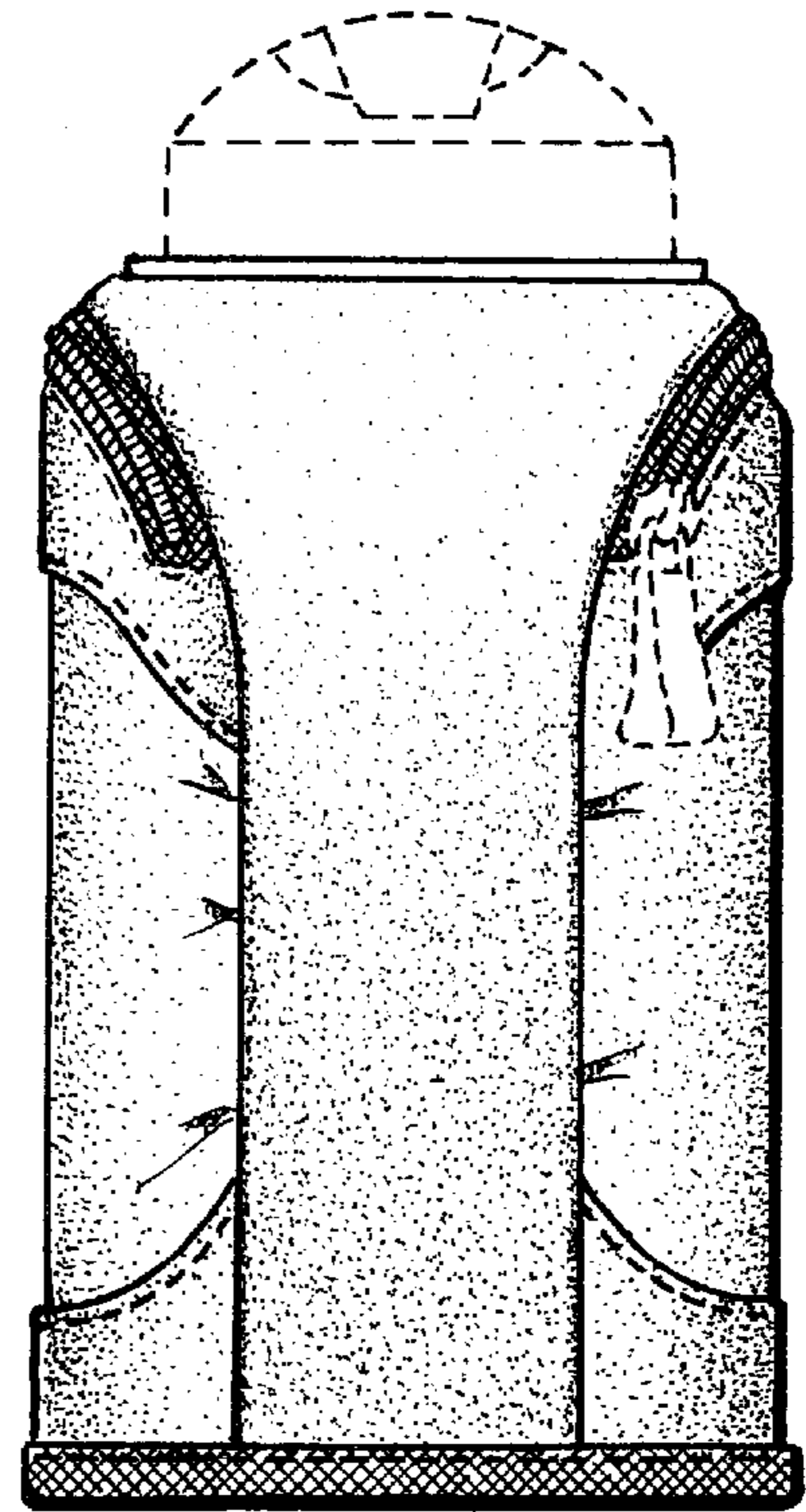


FIG. 6

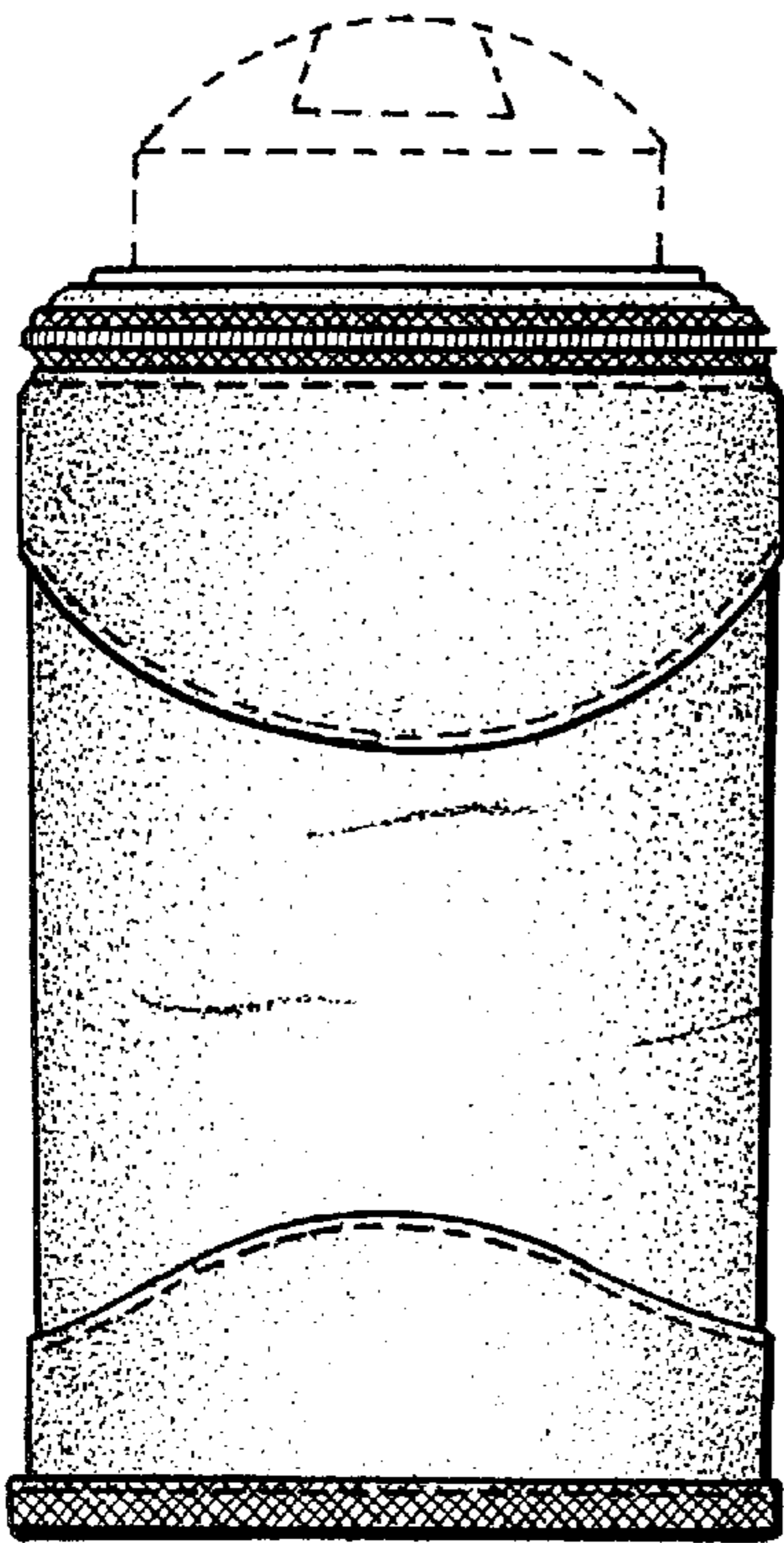


FIG. 7

