



US00D413767S

United States Patent [19] Elmore

[11] Patent Number: Des. 413,767

[45] Date of Patent: ** Sep. 14, 1999

[54] **BULK FOOD DISPENSER**

[76] Inventor: **James N. Elmore**, 1501 Westpark Dr., #5, Little Rock, Ark. 72204

[**] Term: **14 Years**

[21] Appl. No.: **29/096,254**

[22] Filed: **Nov. 9, 1998**

[51] **LOC (6) Cl.** **07-01**

[52] **U.S. Cl.** **D7/589**

[58] **Field of Search** D7/589, 590; D6/512, D6/542, 545, 515; 141/1, 83, 129, 153, 159; 222/61, 105, 152, 173, 181.1, 185.1

[56] **References Cited**

U.S. PATENT DOCUMENTS

D. 286,728	11/1986	Elmore	D7/589
D. 326,983	6/1992	Elmore	D7/589
D. 345,283	3/1994	Papanicholas	D7/589
D. 372,171	7/1996	Romero et al.	D7/589
D. 388,662	1/1998	Romero et al.	D7/589

OTHER PUBLICATIONS

Sales Brochure for Vita-Bin Gravity Bin, Newleaf Designs, Inc., Copyright 1998.

Primary Examiner—Terry A. Wallace
Attorney, Agent, or Firm—James R. Eley; Kegler, Brown, Hill & Ritter

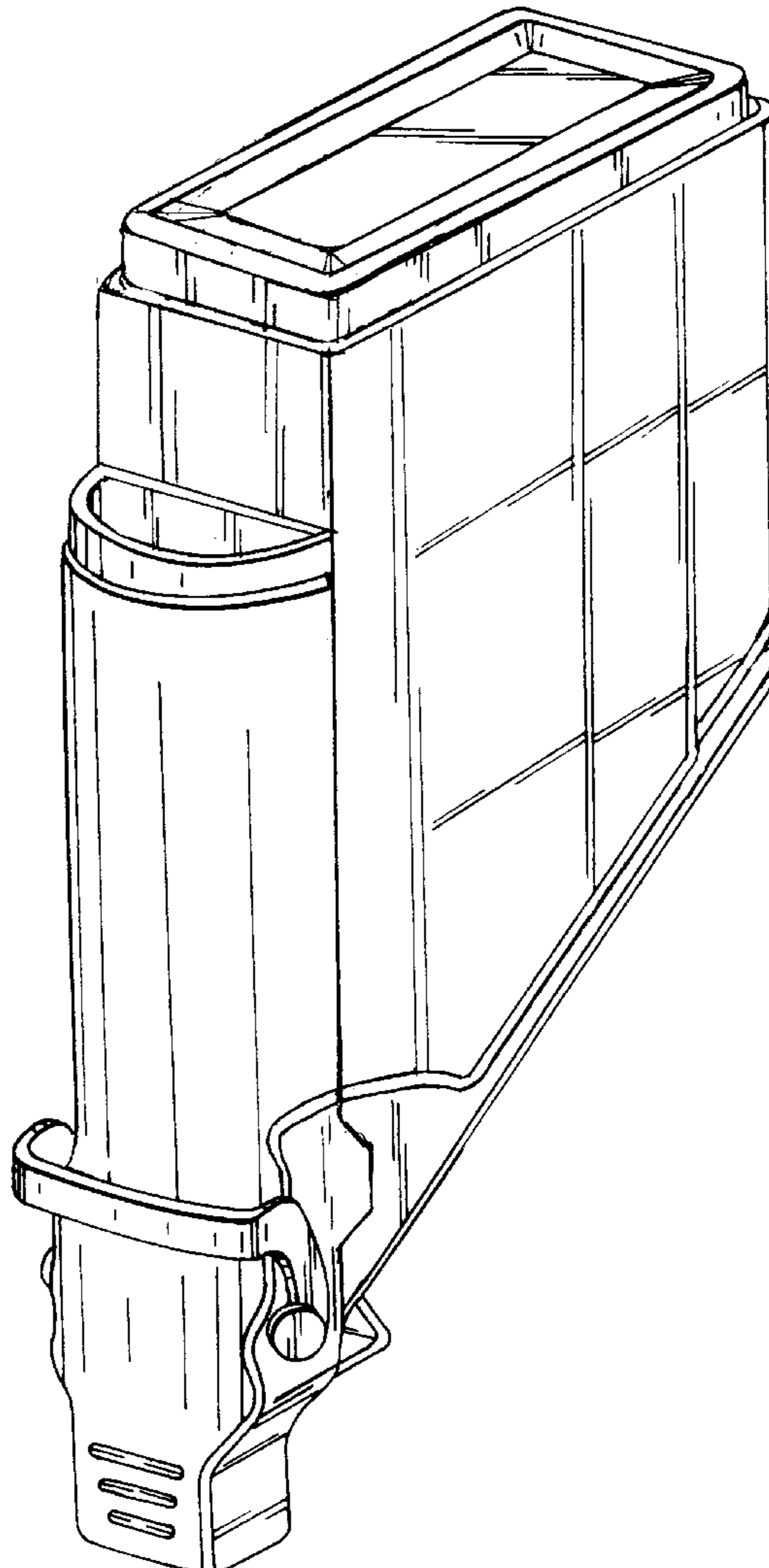
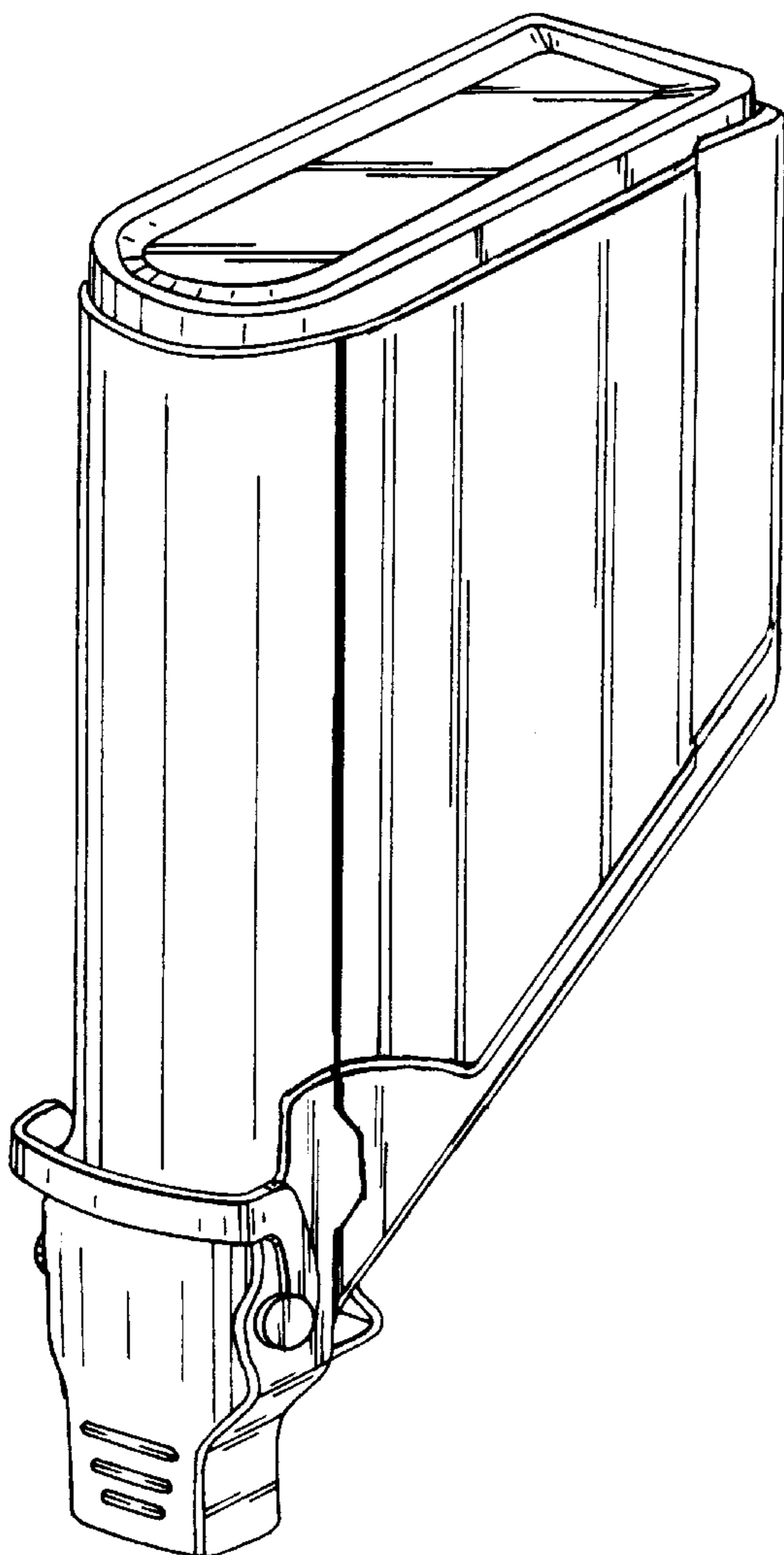
[57] **CLAIM**

The ornamental design for a bulk food dispenser, as shown and described.

DESCRIPTION

FIG. 1 is a front perspective view of my new design for a bulk food dispenser;
FIG. 2 is a top view thereof;
FIG. 3 is a left side elevational view thereof;
FIG. 4 is a right side elevational view thereof;
FIG. 5 is a front elevational view thereof;
FIG. 6 is a rear elevational view thereof;
FIG. 7 is a bottom view thereof; and,
FIG. 8 is a front perspective view of an alternate embodiment for a bulk food dispenser.

1 Claim, 4 Drawing Sheets



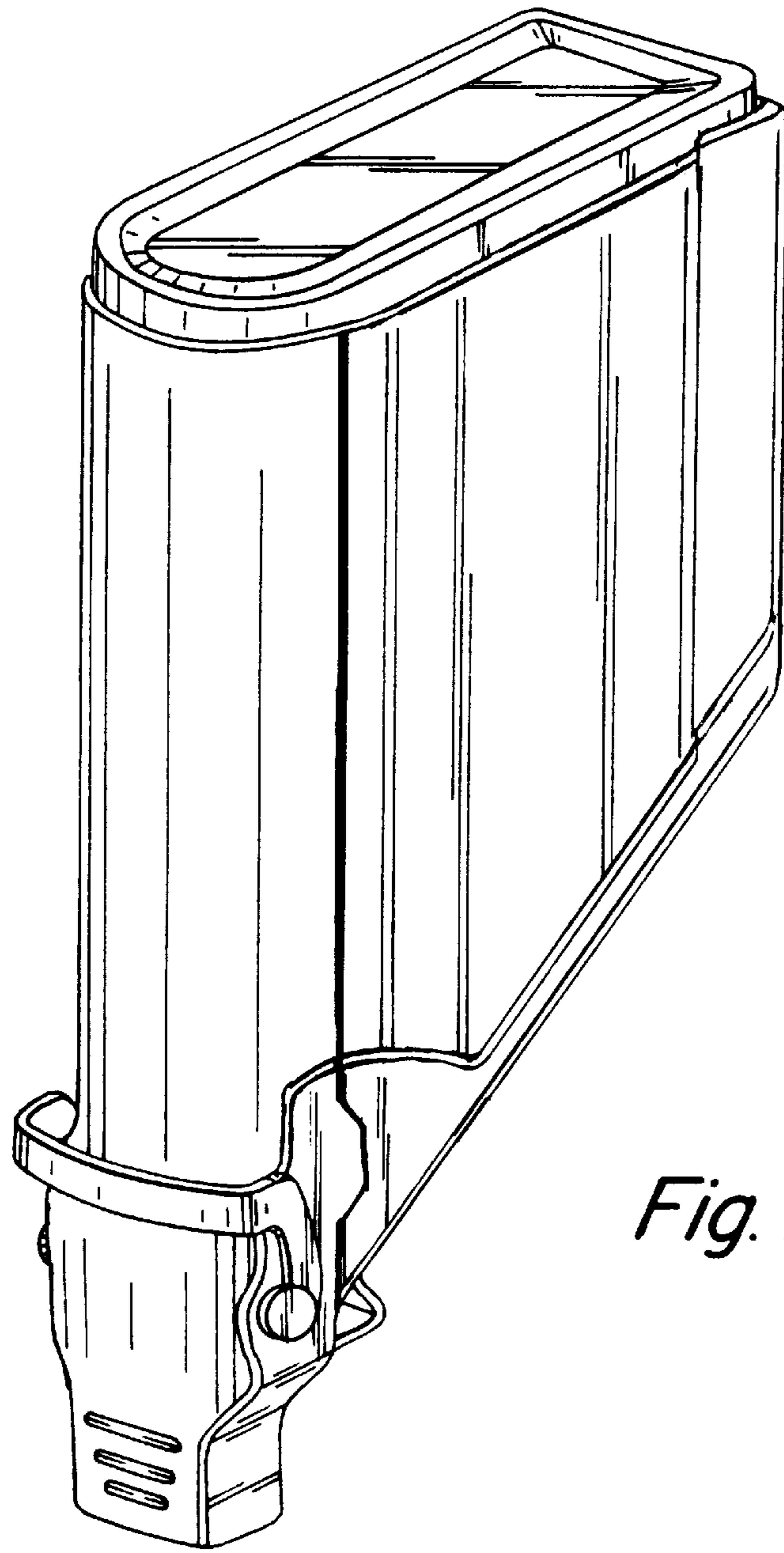


Fig. 1

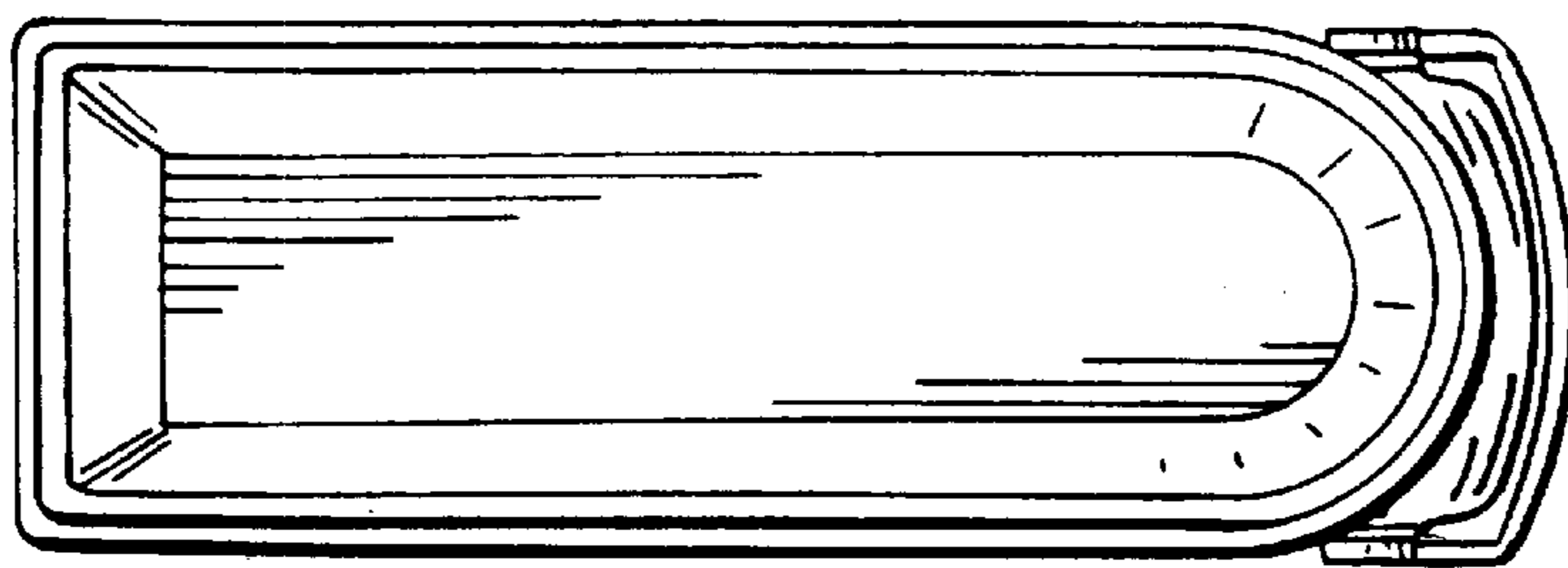


Fig. 2

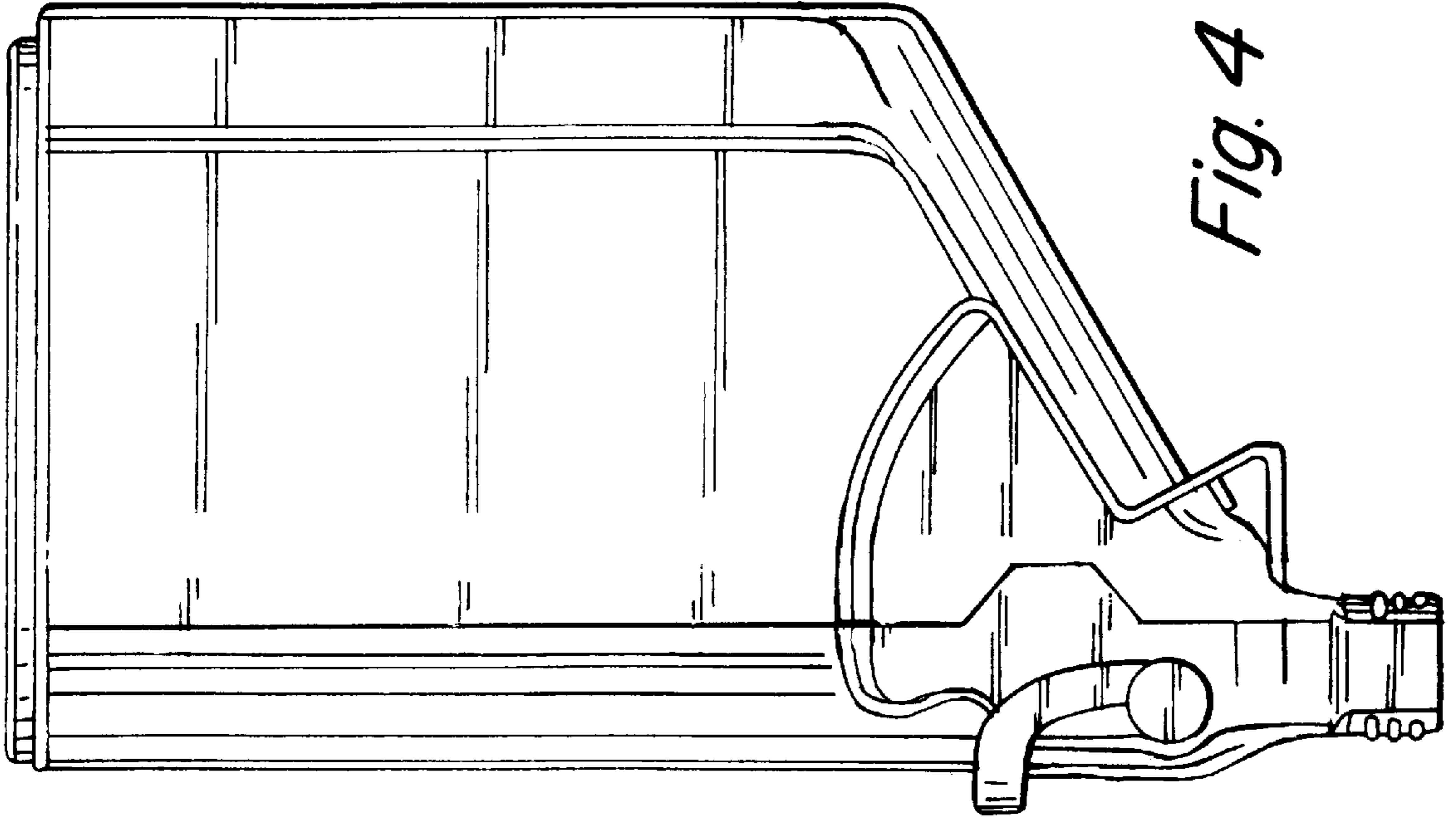


Fig. 4

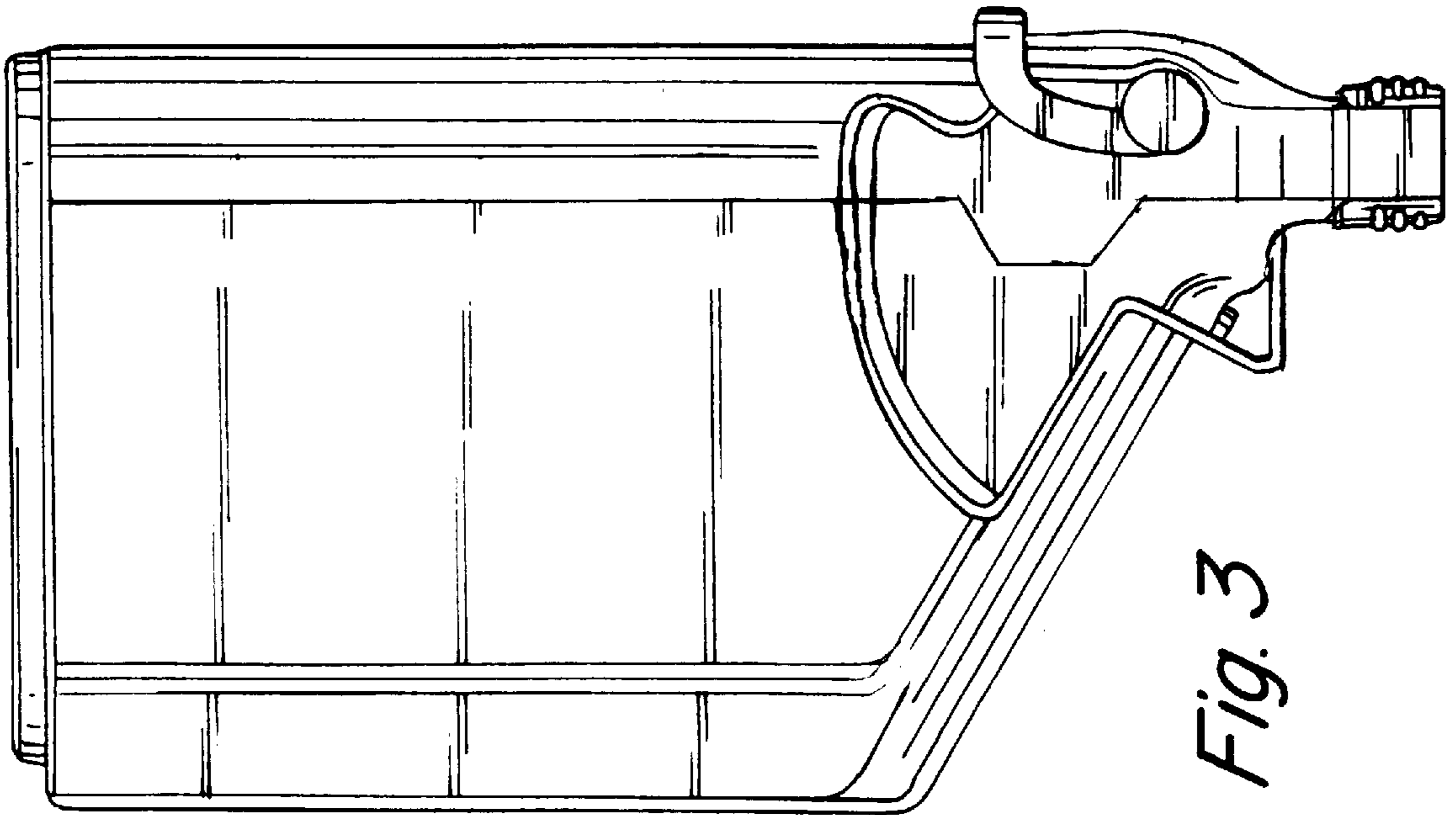


Fig. 3

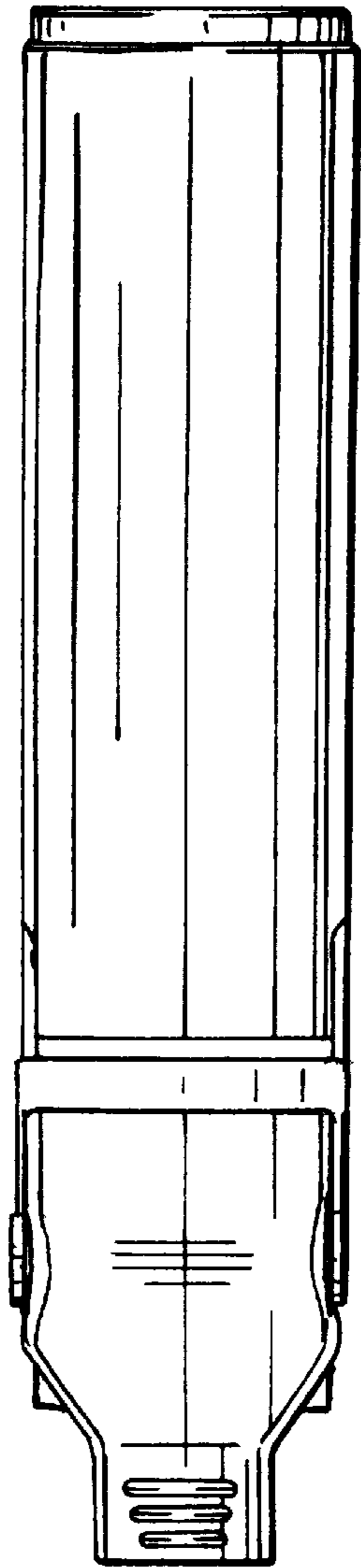


Fig. 5

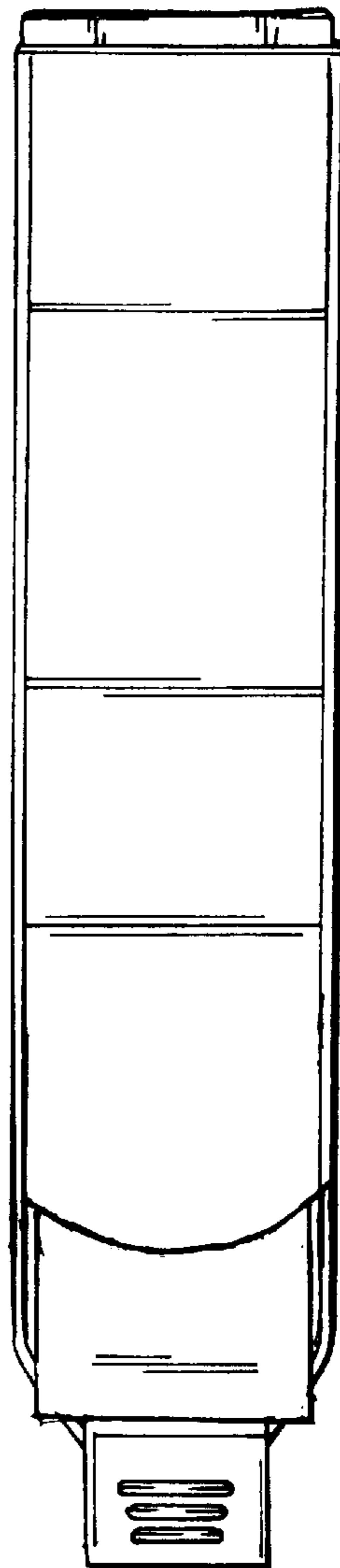


Fig. 6

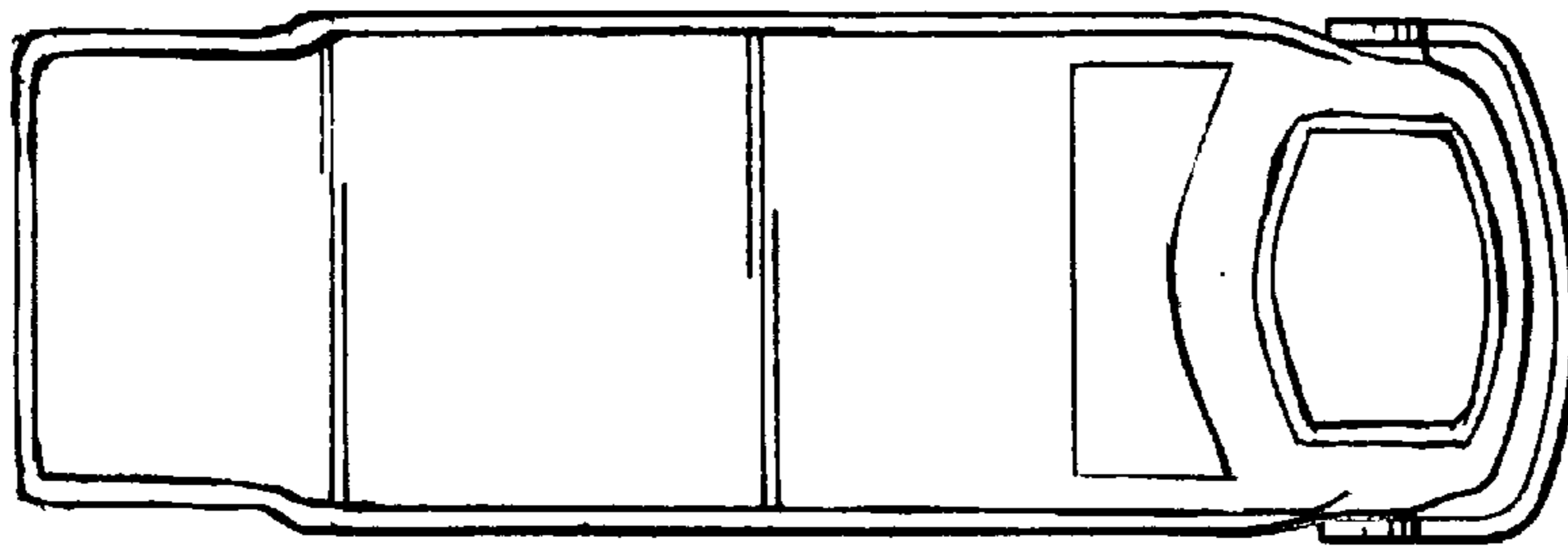


Fig. 7

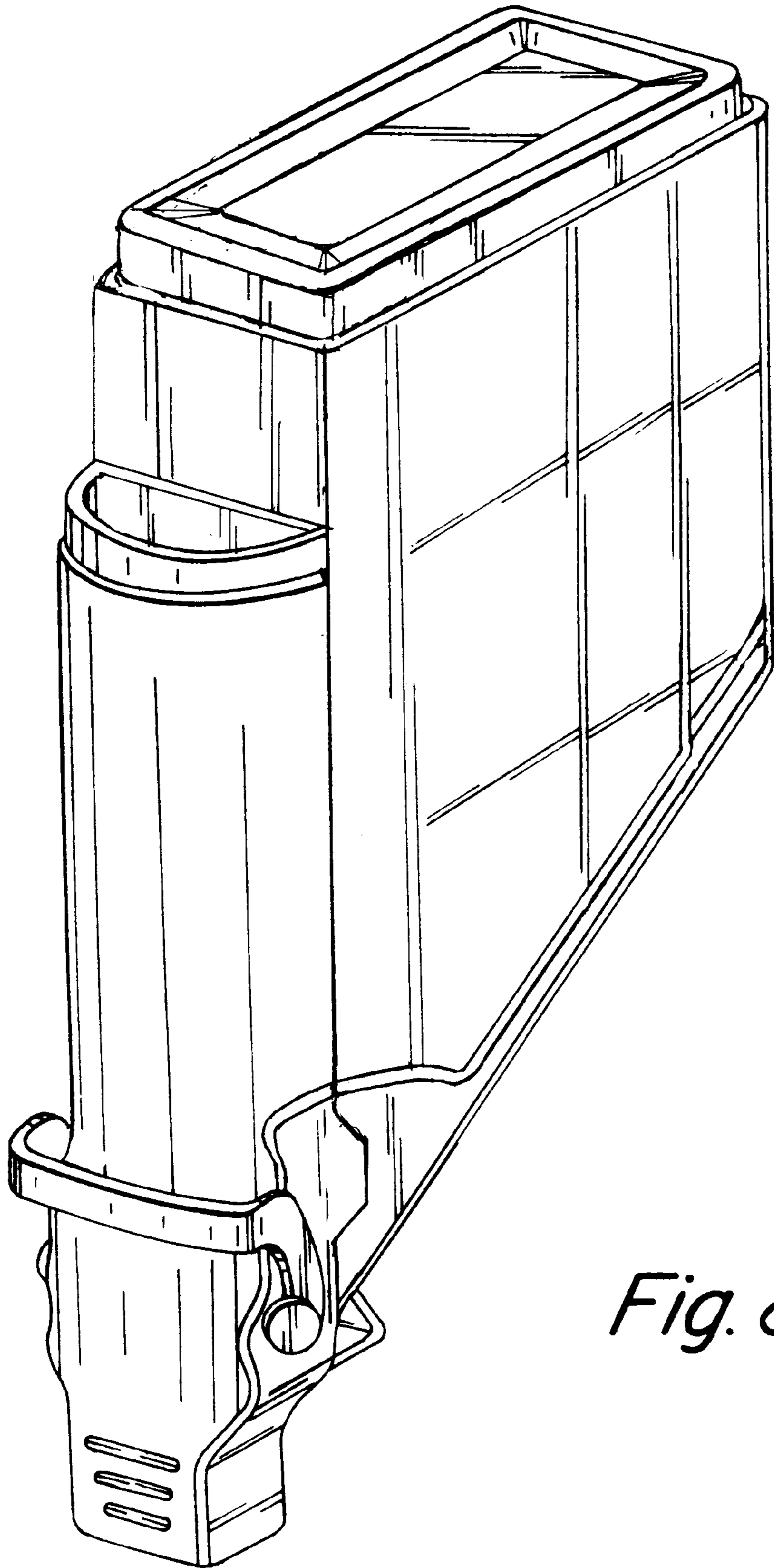


Fig. 8