



US00D413766S

United States Patent [19]
Hou

[11] **Patent Number: Des. 413,766**

[45] **Date of Patent: ** Sep. 14, 1999**

[54] **DRINKING TUMBLER**

[76] Inventor: **Glen Hou**, 1515 W. Sam Houston
Pkwy. North, Houston, Tex. 77043

[**] Term: **14 Years**

[21] Appl. No.: **29/096,828**

[22] Filed: **Nov. 19, 1998**

[51] **LOC (6) Cl.** **07-01**

[52] **U.S. Cl.** **D7/531; D7/523**

[58] **Field of Search** D7/507, 510, 511,
D7/523, 619, 605, 622, 624, 396.2, 392.1,
532, 534, 533, 531; 279/4.5, 400, 118,
5.5; 220/475, 568; 215/13.1, 11.1, 11.4,
DIG. 8

[56] **References Cited**

U.S. PATENT DOCUMENTS

- D. 90,120 6/1933 McNash D7/531
- D. 291,040 7/1987 Dart D7/523
- D. 375,871 11/1996 Jarvis D7/523

- D. 380,647 7/1997 Durand D7/531
- 1,771,765 7/1930 Benson D7/531 X
- 2,041,437 5/1936 Sidon D7/531 X
- 3,194,468 7/1965 Baron 229/400
- 5,226,585 7/1993 Varano 229/400

Primary Examiner—M. N. Pandozzi
Attorney, Agent, or Firm—Mayor, Day, Caldwell & Keeton,
L.L.P.; James L. Jackson, Esq.

[57] **CLAIM**

The ornamental design for a drinking tumbler, as shown and described.

DESCRIPTION

FIG. 1 is a left side elevational view of a drinking tumbler showing my new ornamental design;
FIG. 2 is a plan view thereof;
FIG. 3 is a bottom view thereof;
FIG. 4 is a sectional view taken along line 4—4 of FIG. 2 and showing my new ornamental design; and,
FIG. 5 is a sectional view taken along line 5—5 of FIG. 1 and showing my new ornamental design.

1 Claim, 2 Drawing Sheets

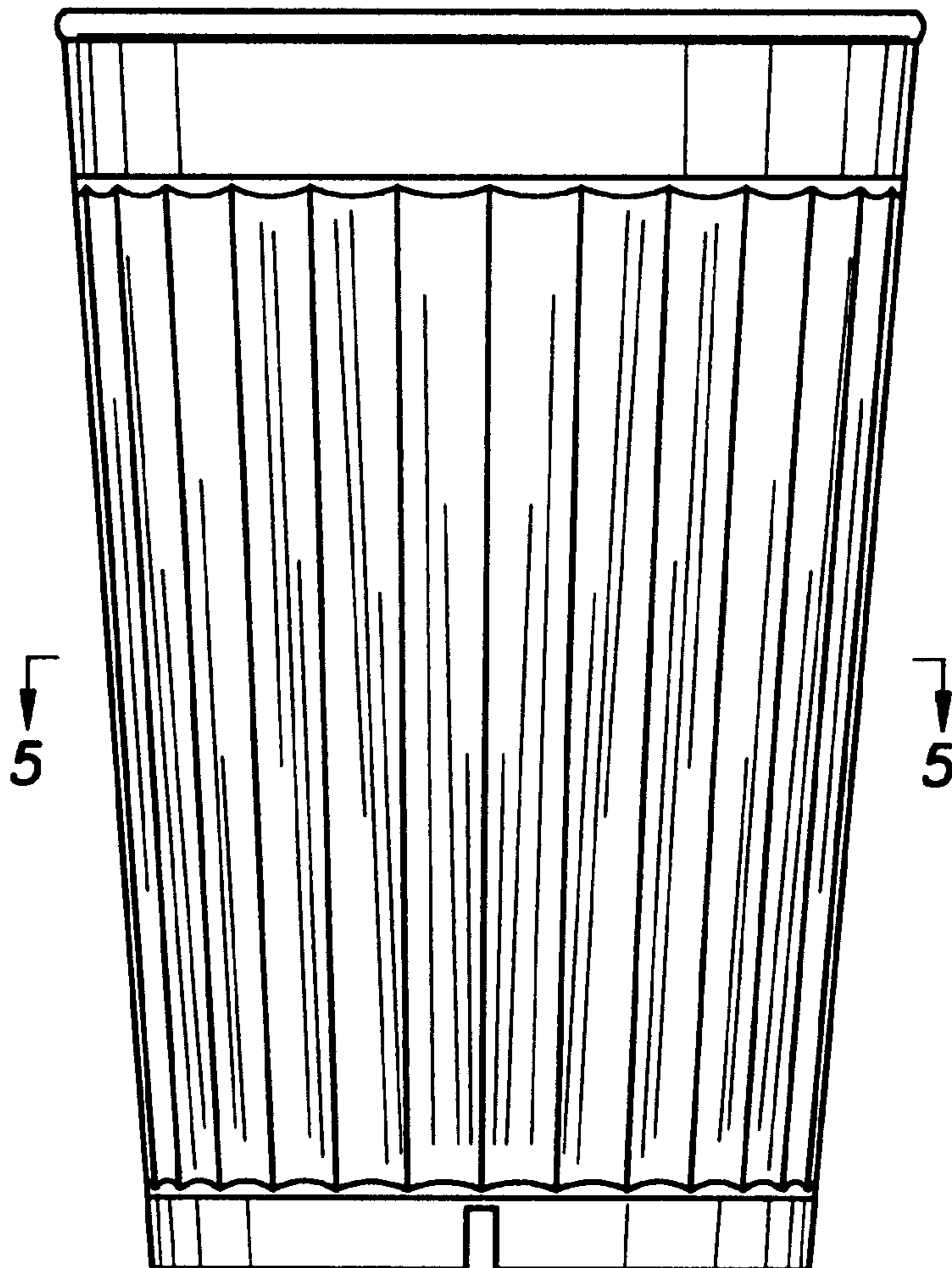


FIG. 1

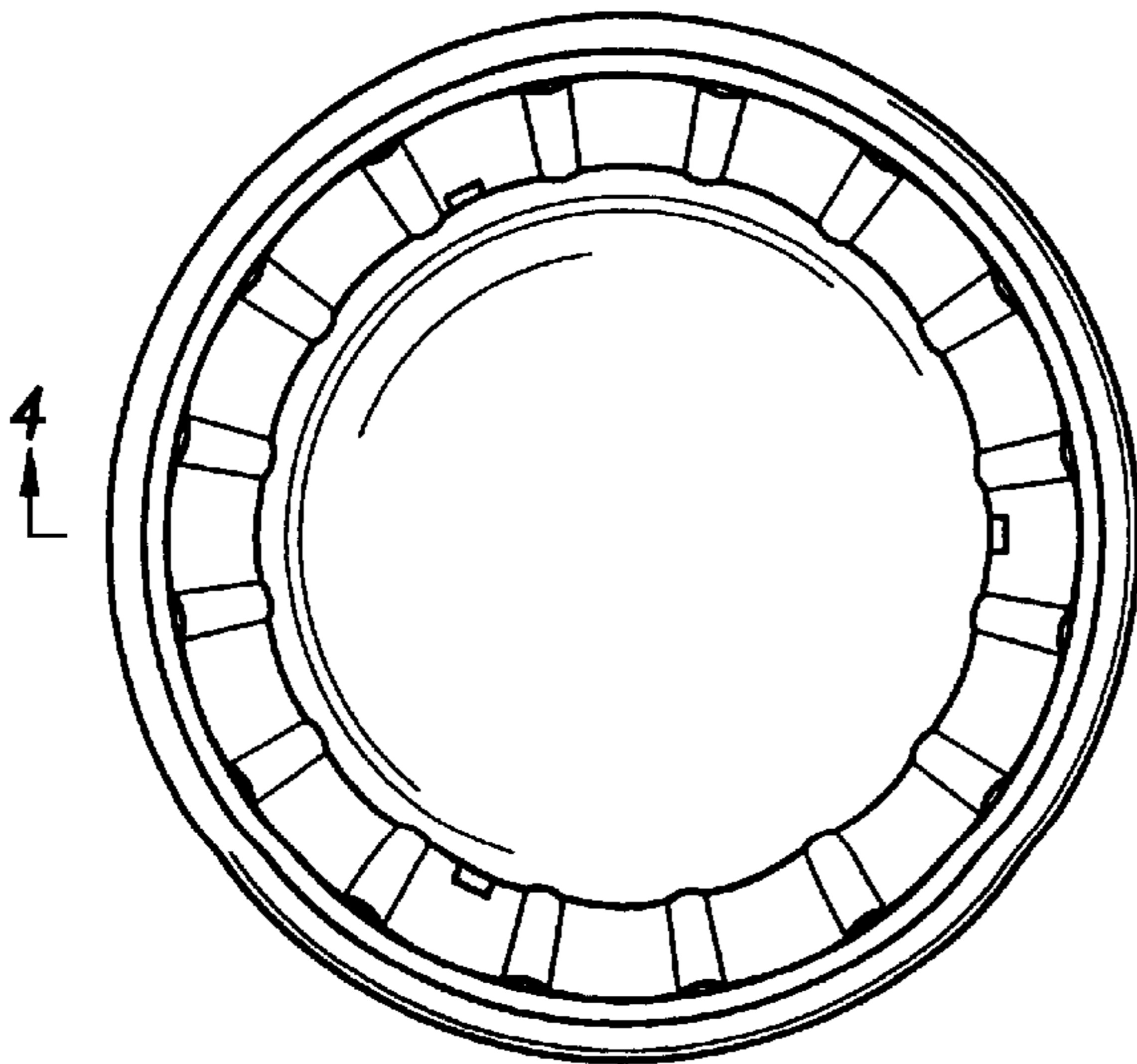
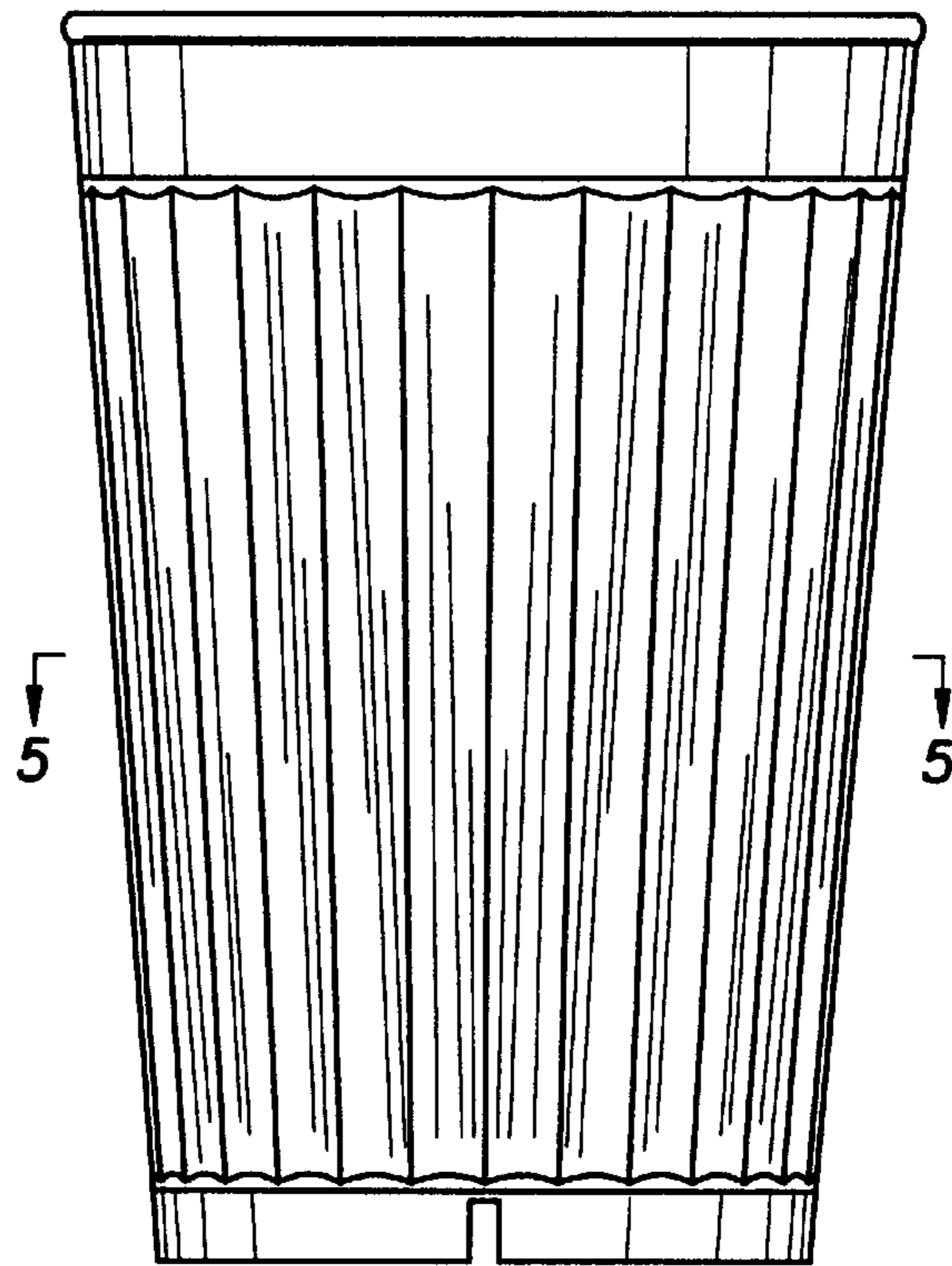


FIG. 2

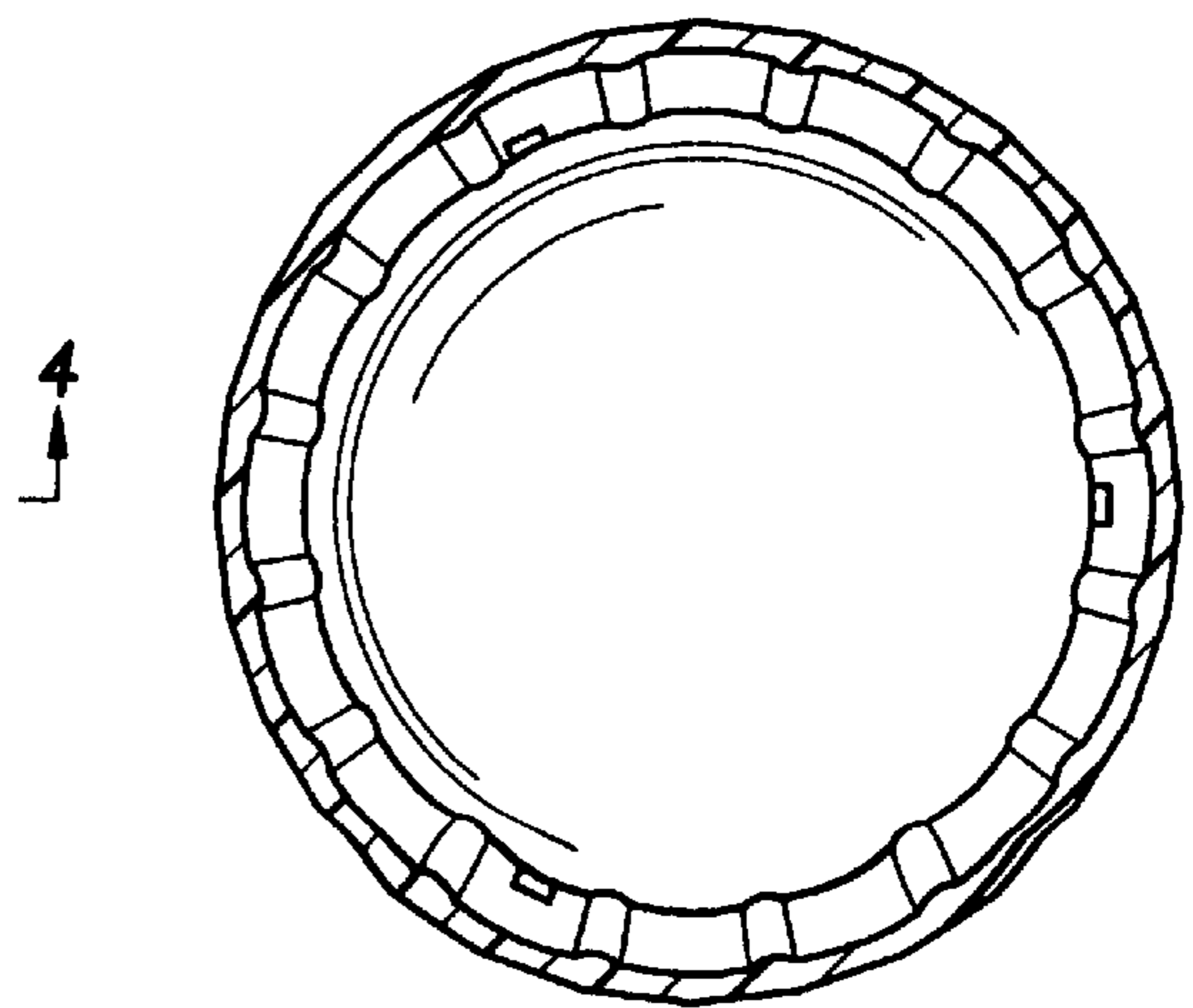


FIG. 5

FIG.3

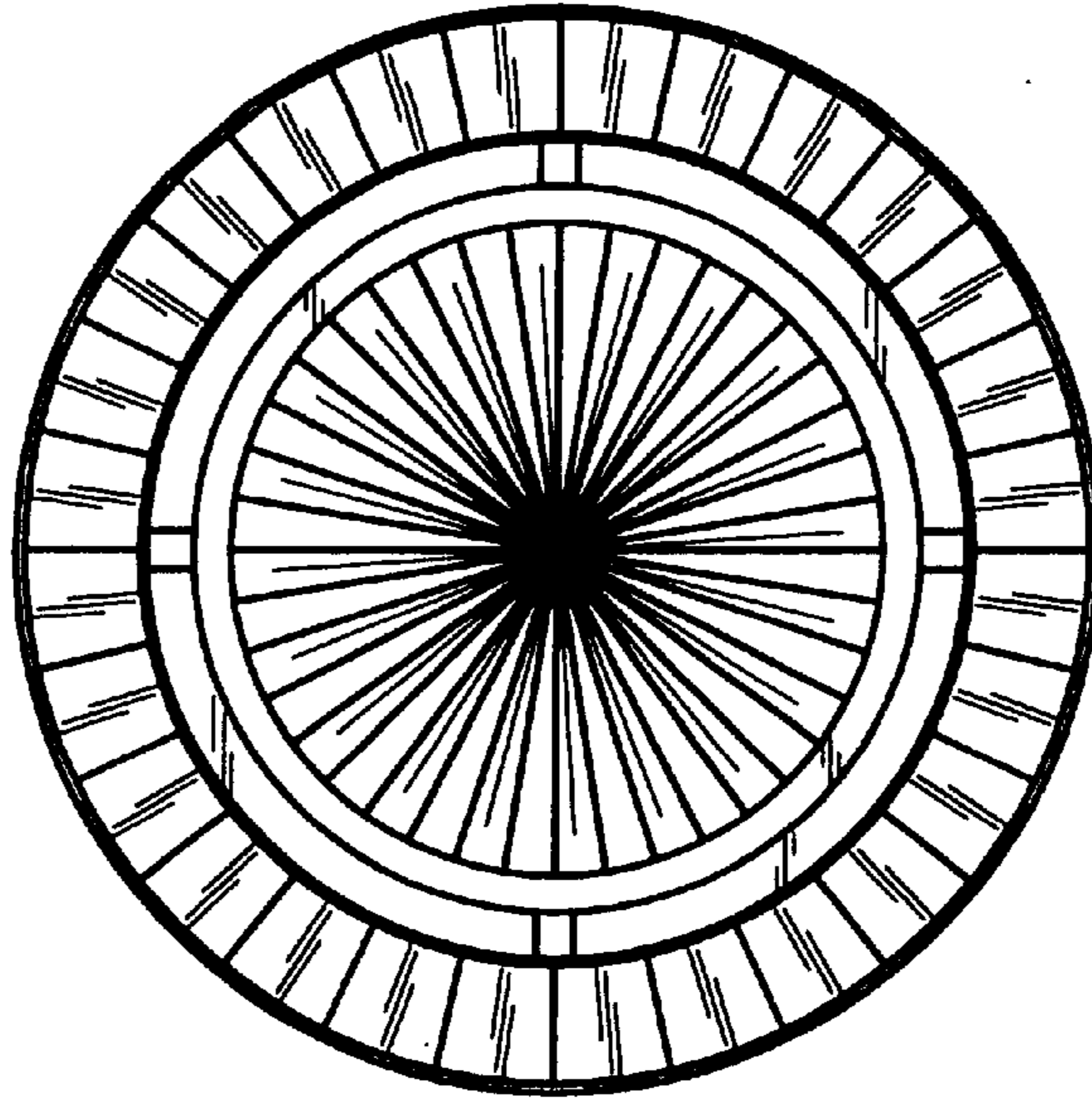


FIG.4

