



US00D413765S

United States Patent [19]

Adler et al.

[11] Patent Number: **Des. 413,765**

[45] Date of Patent: **** Sep. 14, 1999**

[54] **POT RETAINER**

[75] Inventors: **R. Michael Adler**, Guilford; **Vincenzo DeLuca**, West Haven, both of Conn.

[73] Assignee: **Kenyon Marine, Inc.**, Clinton, Conn.

[**] Term: **14 Years**

[21] Appl. No.: **29/089,048**

[22] Filed: **Jun. 5, 1998**

[51] **LOC (6) Cl.** **07-02**

[52] **U.S. Cl.** **D7/407; D7/402**

[58] **Field of Search** D7/402, 407, 408, D7/409; 126/215, 216, 214 A, 214 R, 214 C, 214 D, 211, 39 E

[56] **References Cited**

U.S. PATENT DOCUMENTS

D. 192,227	2/1962	Theisen	D7/407
D. 221,795	9/1971	Jenks	D7/402
D. 274,880	7/1984	Bentson	D7/409
D. 282,706	2/1986	DiFede	D7/409
D. 322,913	1/1992	Hines	D7/407

D. 338,805	8/1993	Mackin et al.	D7/402
D. 339,959	10/1993	Eckman	D7/407
D. 364,534	11/1995	Brown et al.	D7/407
D. 364,993	12/1995	Andrea	D7/407
4,620,526	11/1986	Tetschnew	D7/407

Primary Examiner—Ruth McInroy
Attorney, Agent, or Firm—Morrison Law Firm

[57] **CLAIM**

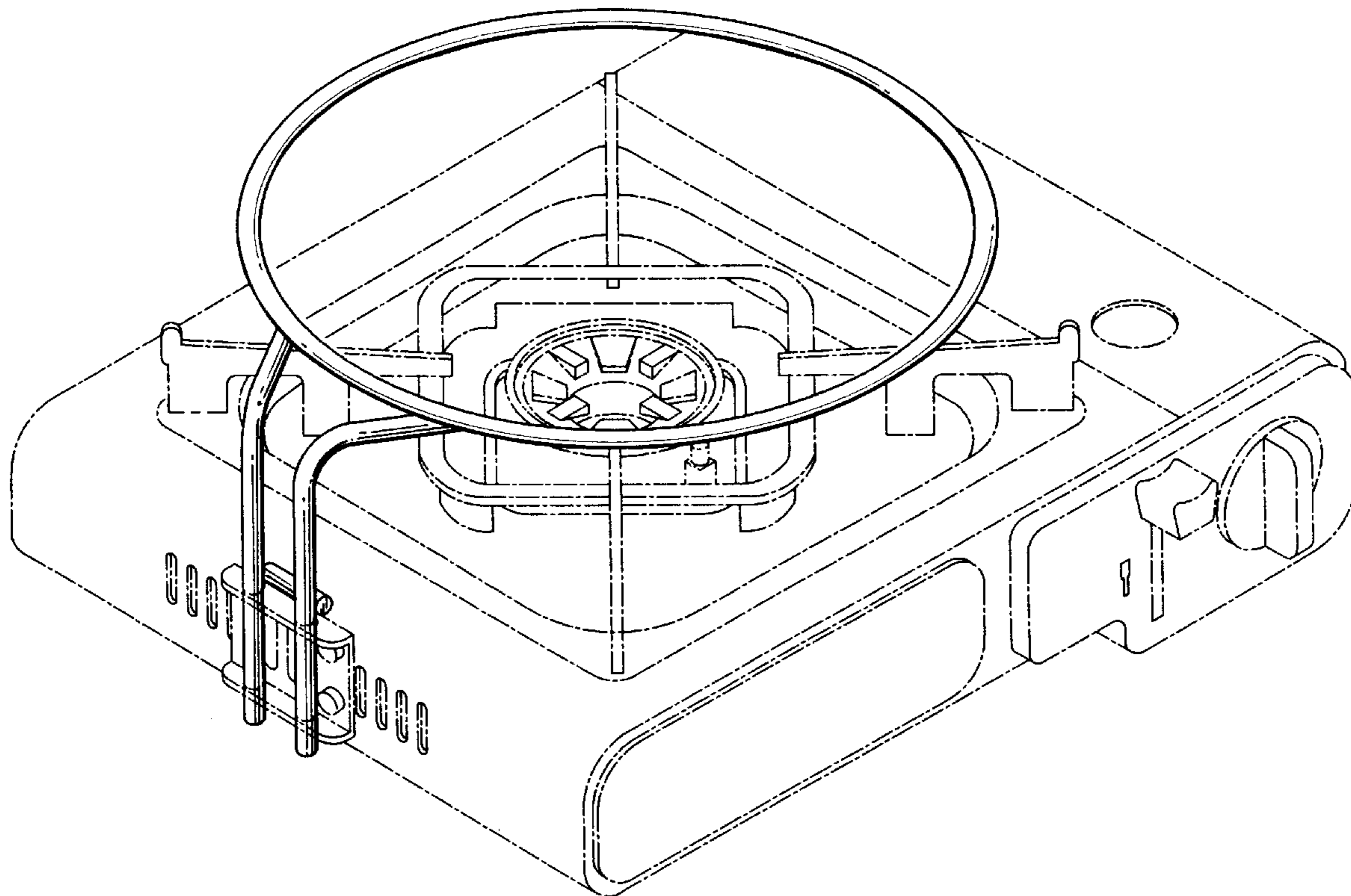
The ornamental design for a pot retainer, as shown and described.

DESCRIPTION

FIG. 1 is a perspective view of a pot retainer showing our new design;
FIG. 2 is a top plan view thereof;
FIG. 3 is a right side elevational view thereof;
FIG. 4 is a front elevational view thereof;
FIG. 5 is a rear elevational view thereof; and,
FIG. 6 is a bottom plan view thereof.

The details shown in broken lines in FIG. 1 are for illustrative purposes only and form no part of the claimed design.

1 Claim, 3 Drawing Sheets



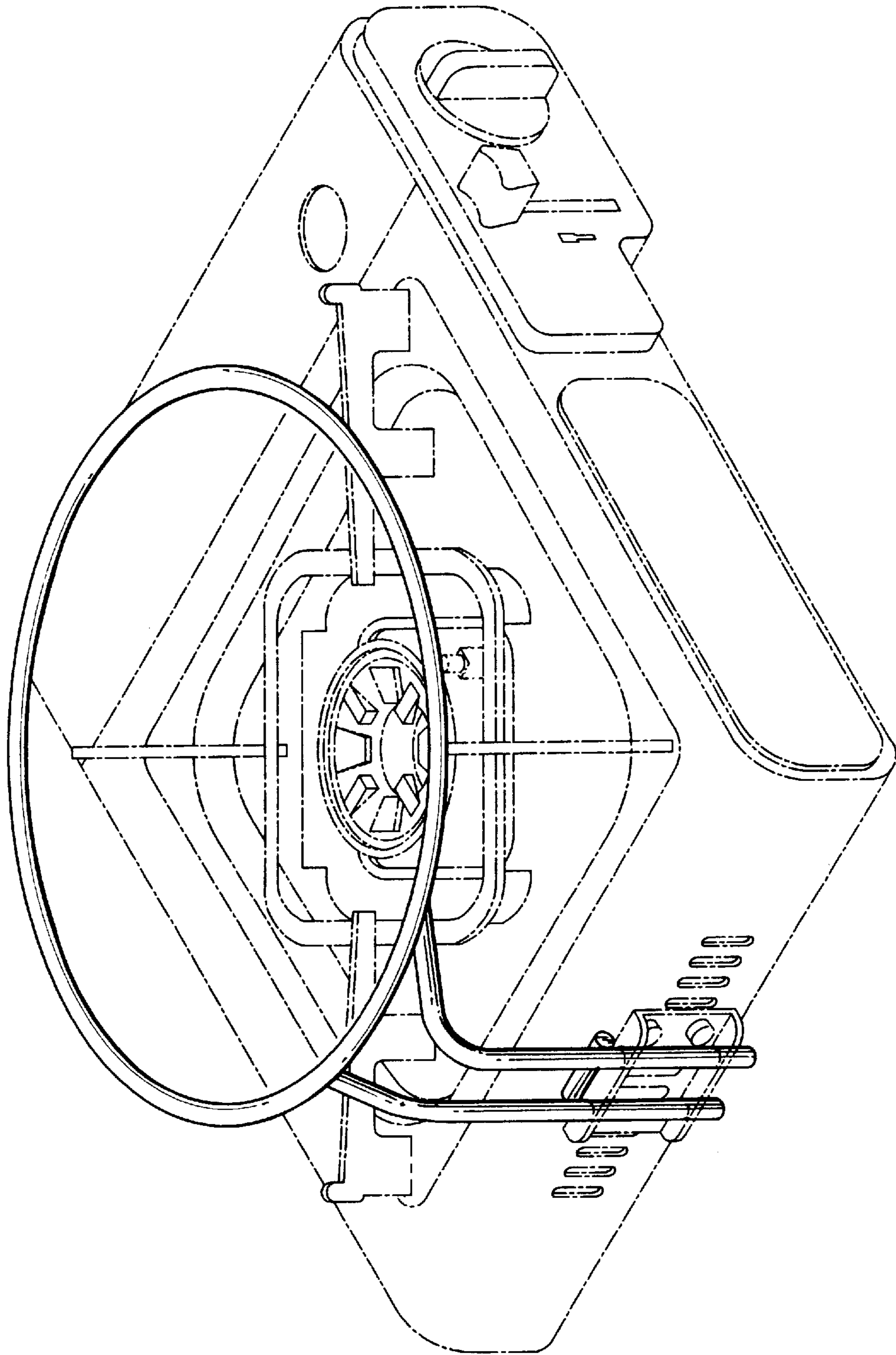


FIG.1

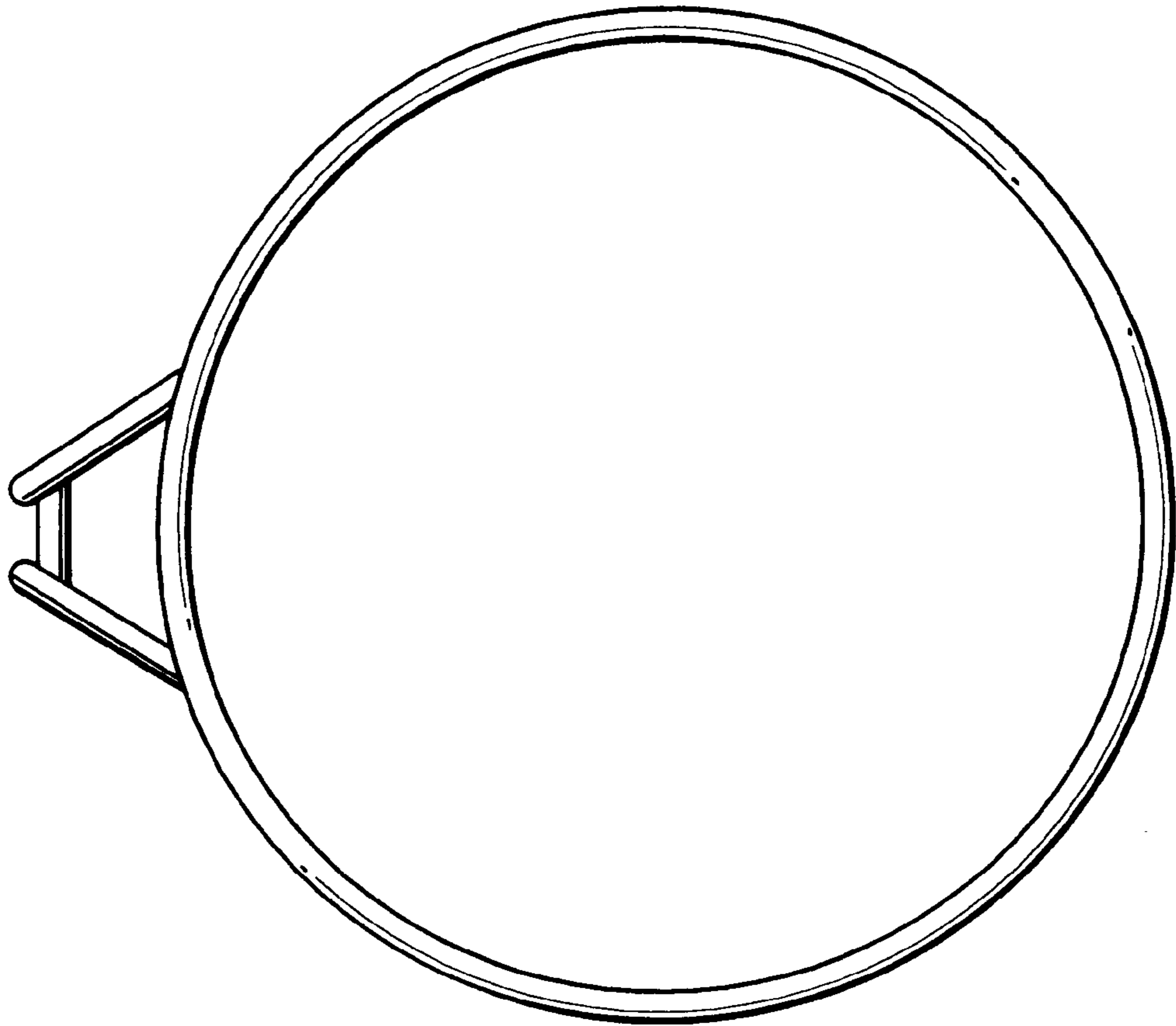


FIG. 2

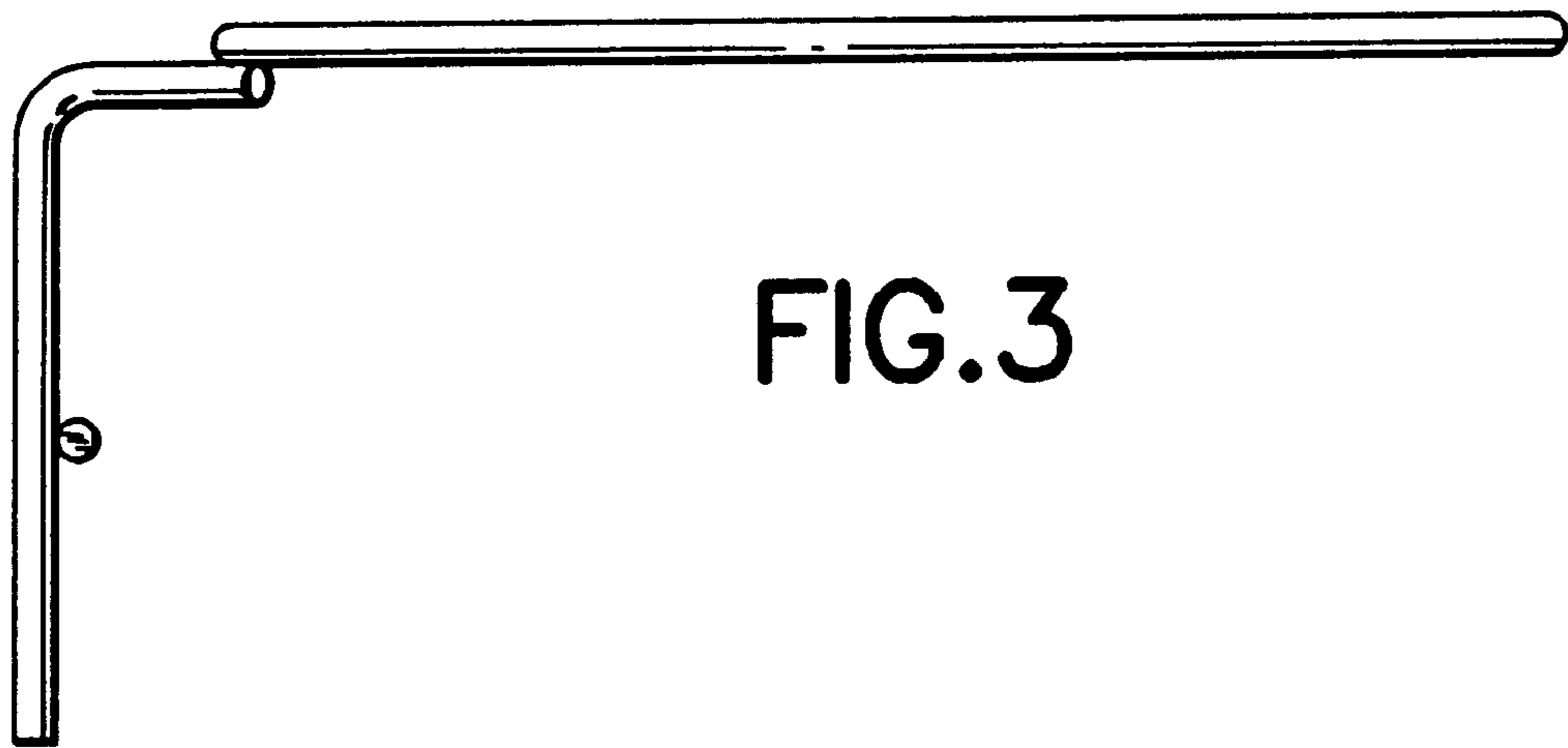


FIG. 3

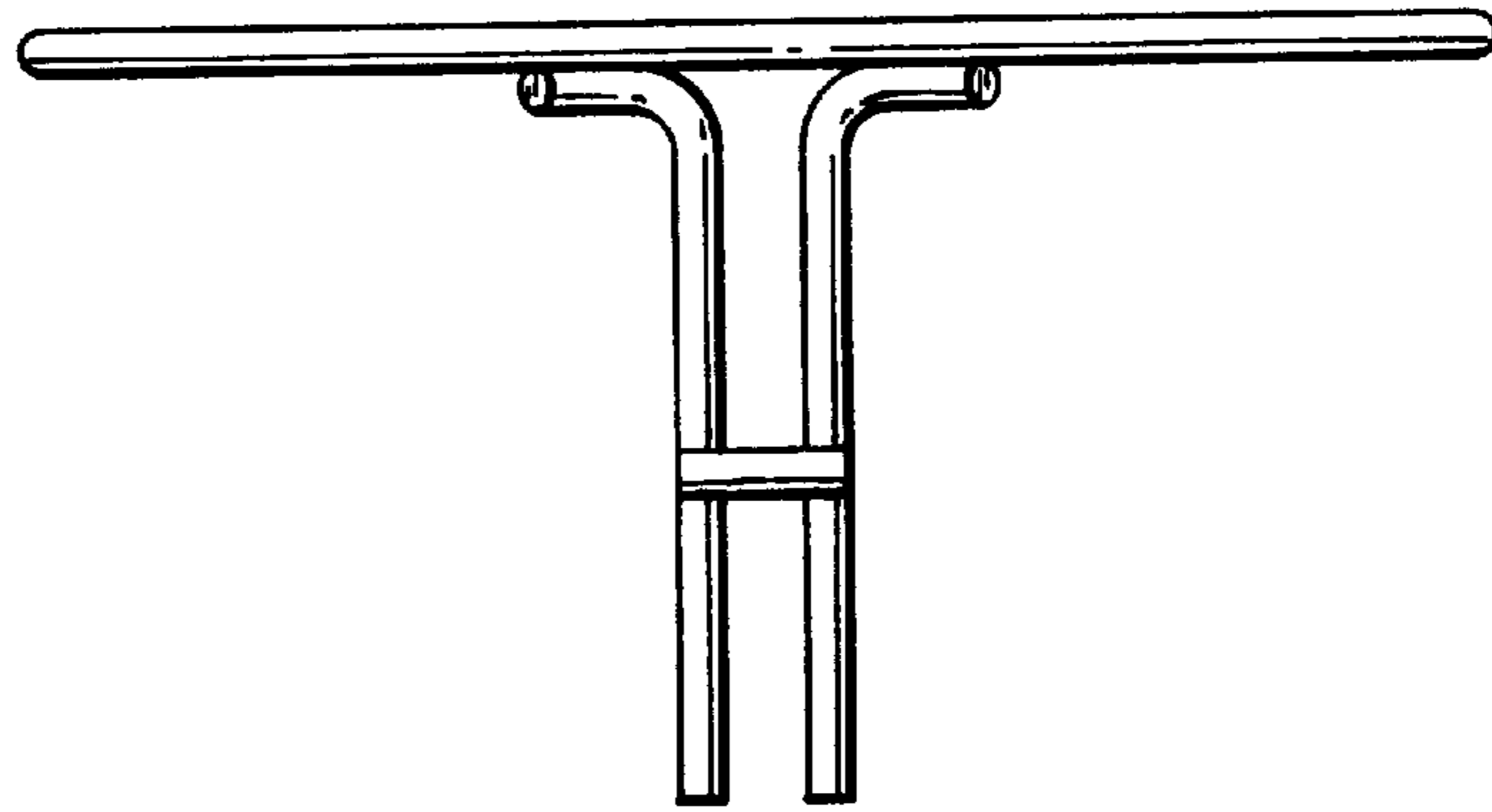


FIG. 4

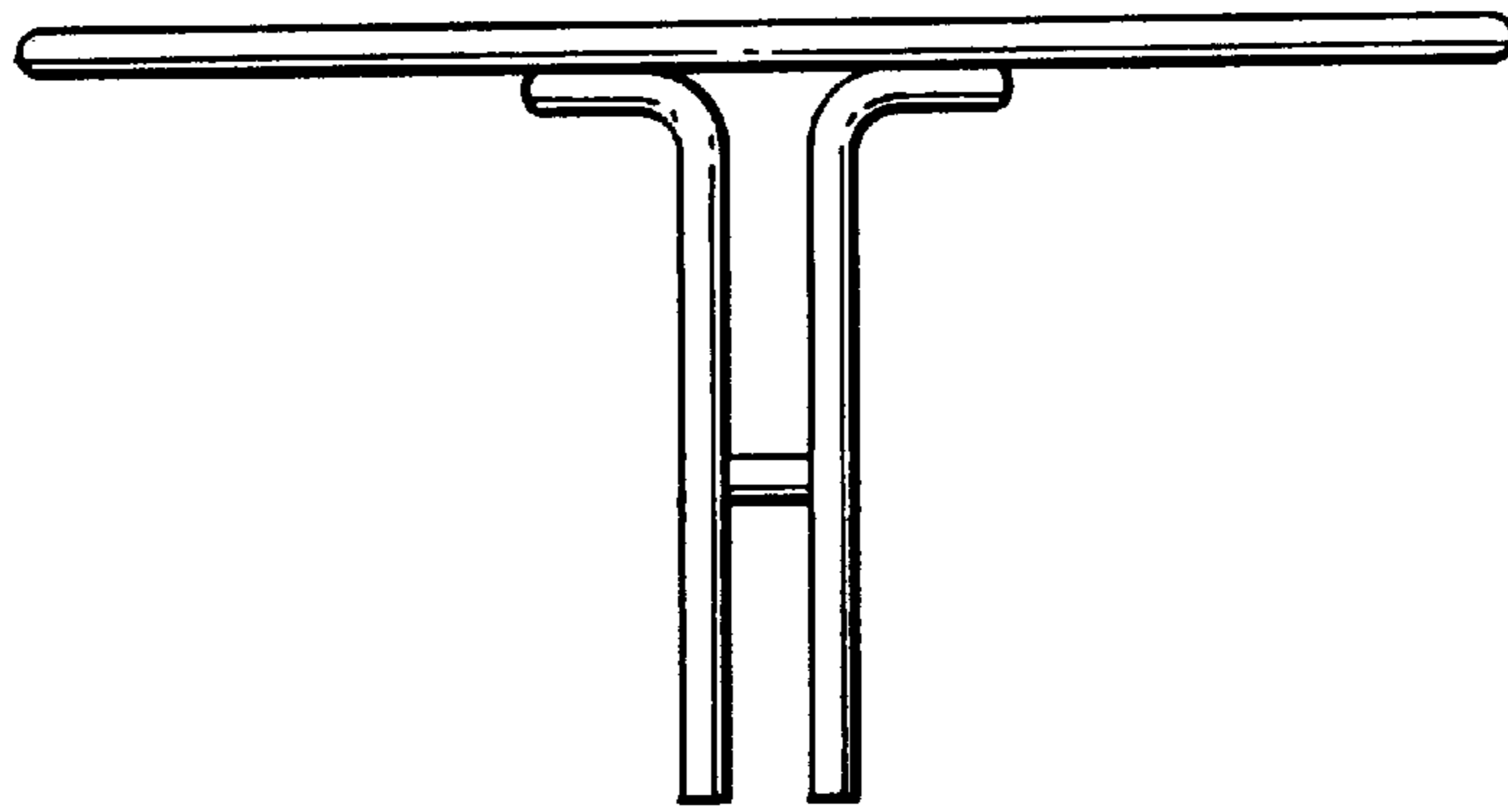


FIG. 5

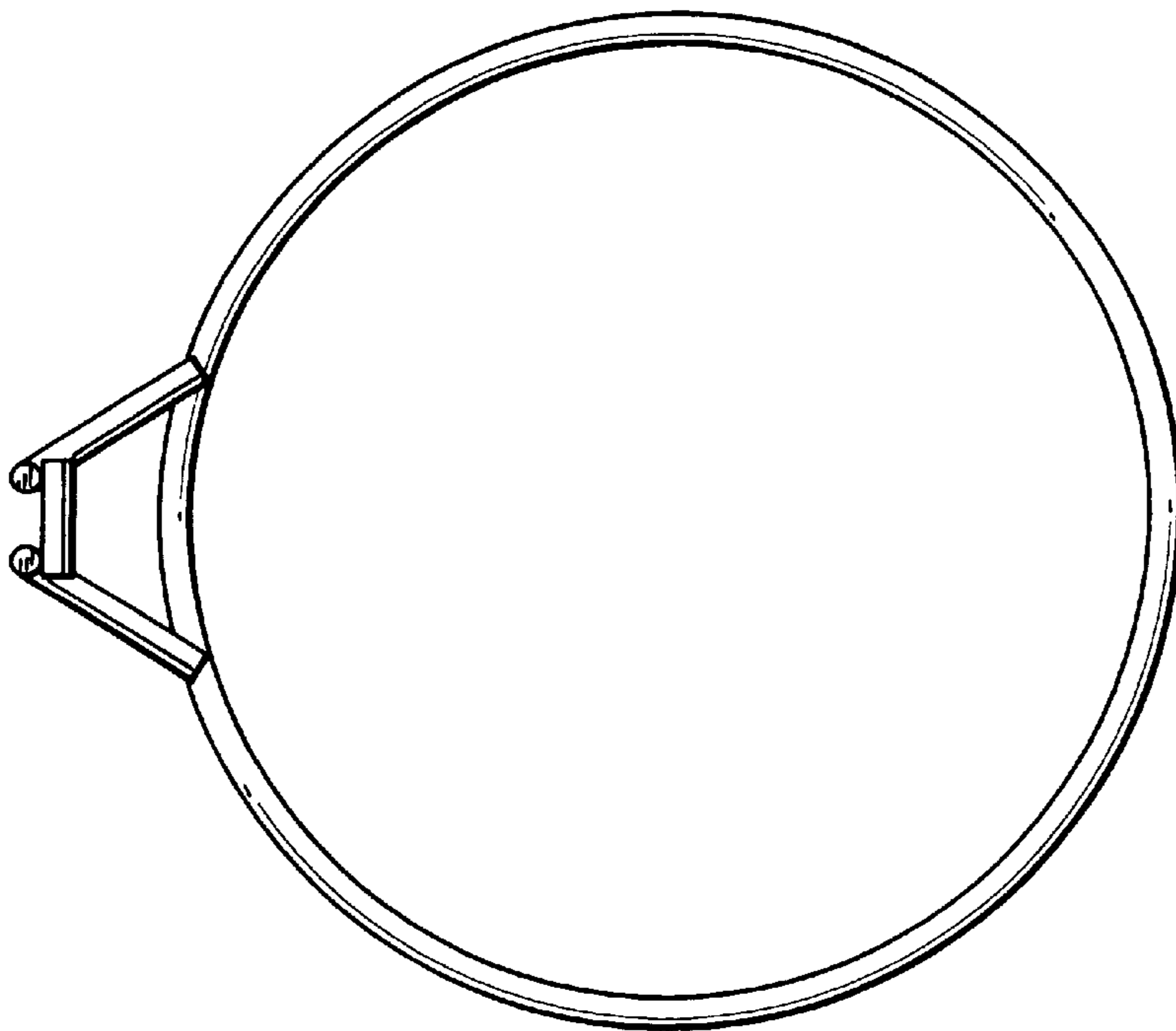


FIG. 6