



US00D413762S

United States Patent [19]

Cohen et al.

[11] **Patent Number: Des. 413,762**

[45] **Date of Patent: ** Sep. 14, 1999**

[54] **HANDLE FOR KITCHEN TOOLS AND GADGETS**

[75] Inventors: **Milton L. Cohen**, Hewlett Bay Park; **Jeff Siegel**, Great Neck; **Adam Krent**, Brooklyn, all of N.Y.

[73] Assignee: **Lifetime Hoan Corporation**, Westbury, N.Y.

[**] Term: **14 Years**

[21] Appl. No.: **29/074,868**

[22] Filed: **Aug. 11, 1997**

[51] **LOC (6) Cl.** **07-02**

[52] **U.S. Cl.** **D7/395**

[58] **Field of Search** D7/653, 401.2, D7/688, 691, 395, 683, 692; D8/107; 30/327, 323

[56] **References Cited**

U.S. PATENT DOCUMENTS

D. 265,623 8/1982 Seibel D7/683

D. 311,307 10/1990 Cautereels et al. D7/683

Primary Examiner—Caron D. Veynar
Attorney, Agent, or Firm—Goodman & Teitelbaum, Esqs.

[57] **CLAIM**

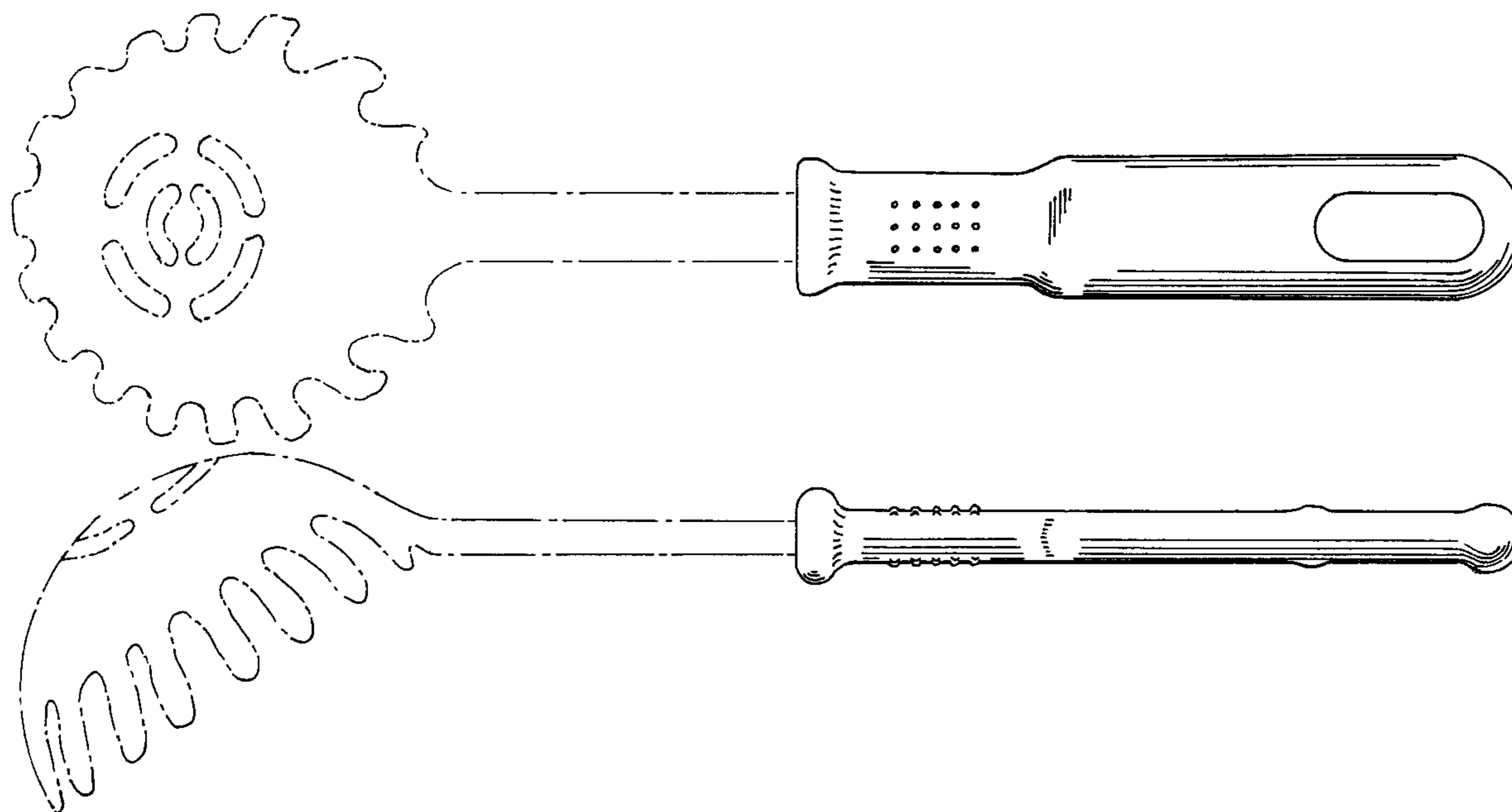
The ornamental design for a handle for kitchen tools and gadgets, as shown and described.

DESCRIPTION

FIG. 1 is a front elevational view of a handle for kitchen tools and gadgets, showing our new design; FIG. 2 is a left side elevational view thereof; FIG. 3 is a rear elevational view thereof; FIG. 4 is a right side elevational view thereof; FIG. 5 is a left end plan view thereof; and, FIG. 6 is a right end plan view thereof.

The broken line showings of a spaghetti fork in the figures are for illustrative purposes only and form no part of the claimed design.

1 Claim, 2 Drawing Sheets



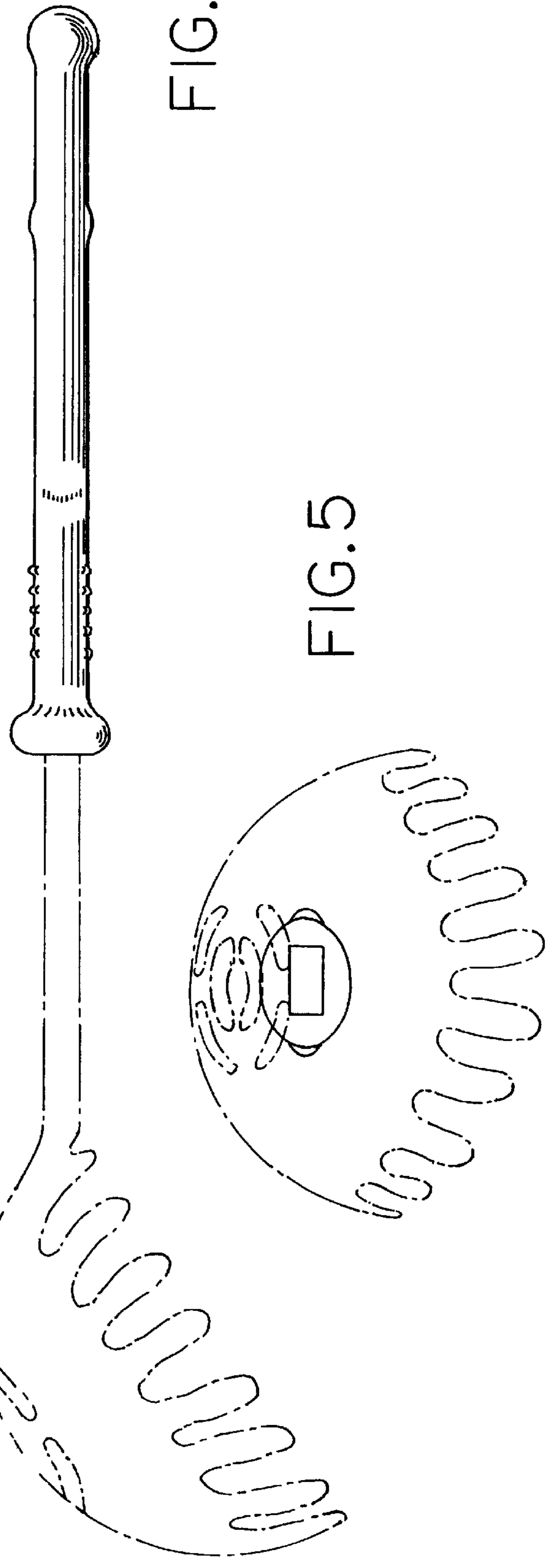
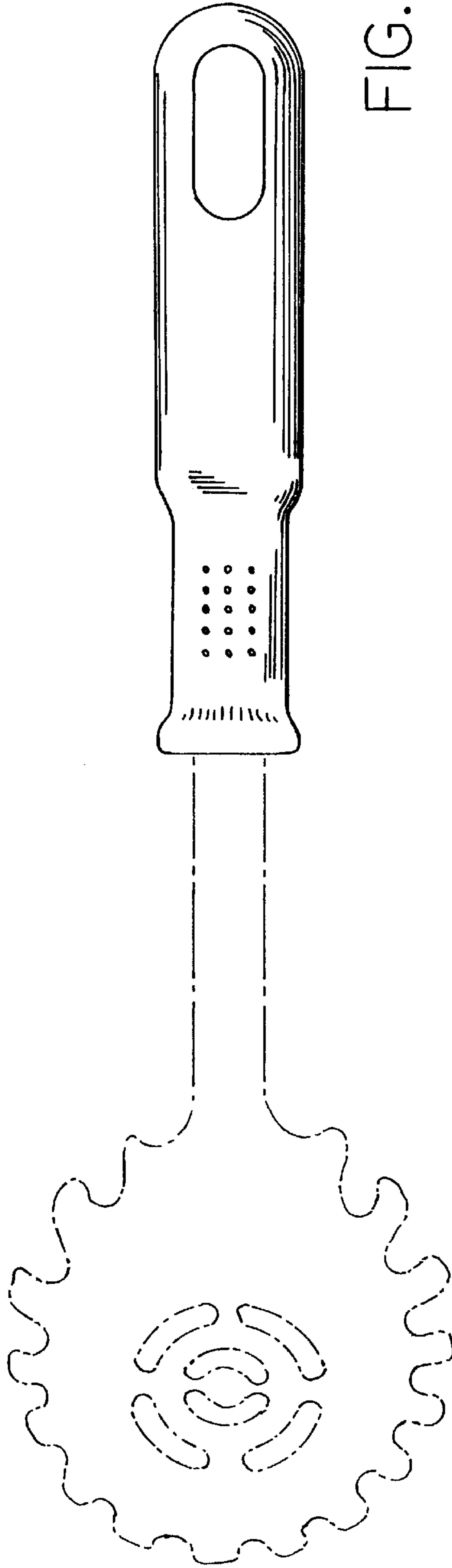


FIG. 5

