



US00D413759S

# United States Patent [19] Carrere

[11] **Patent Number: Des. 413,759**

[45] **Date of Patent: \*\* Sep. 14, 1999**

[54] **MEAT GRILL**

[75] Inventor: **Eric Carrere**, Lyons, France

[73] Assignee: **SEB**, Selongey, France

[\*\*] Term: **14 Years**

[21] Appl. No.: **29/080,809**

[22] Filed: **Dec. 16, 1997**

[30] **Foreign Application Priority Data**

Aug. 8, 1997 [FR] France ..... 97 4741

[51] **LOC (6) Cl.** ..... **07-02**

[52] **U.S. Cl.** ..... **D7/352**

[58] **Field of Search** ..... D7/352, 353, 354,  
D7/359, 360, 337; 99/324, 339, 340, 372,  
378

[56] **References Cited**

**U.S. PATENT DOCUMENTS**

D. 127,906	6/1941	Faunce	.....	D7/352
D. 167,757	9/1952	Morgan	.....	D7/352
D. 195,801	7/1963	Carpenter	.....	D7/352
D. 301,671	6/1989	Van Asten	.....	D7/352

D. 367,994	3/1996	Bloom et al.	.....	D7/352
D. 369,269	4/1996	Labadia Del Fresno	.....	D7/352
D. 383,353	9/1997	Piret	.....	D7/352

*Primary Examiner*—Caron D. Veynar  
*Attorney, Agent, or Firm*—Pillsbury Madison & Sutro

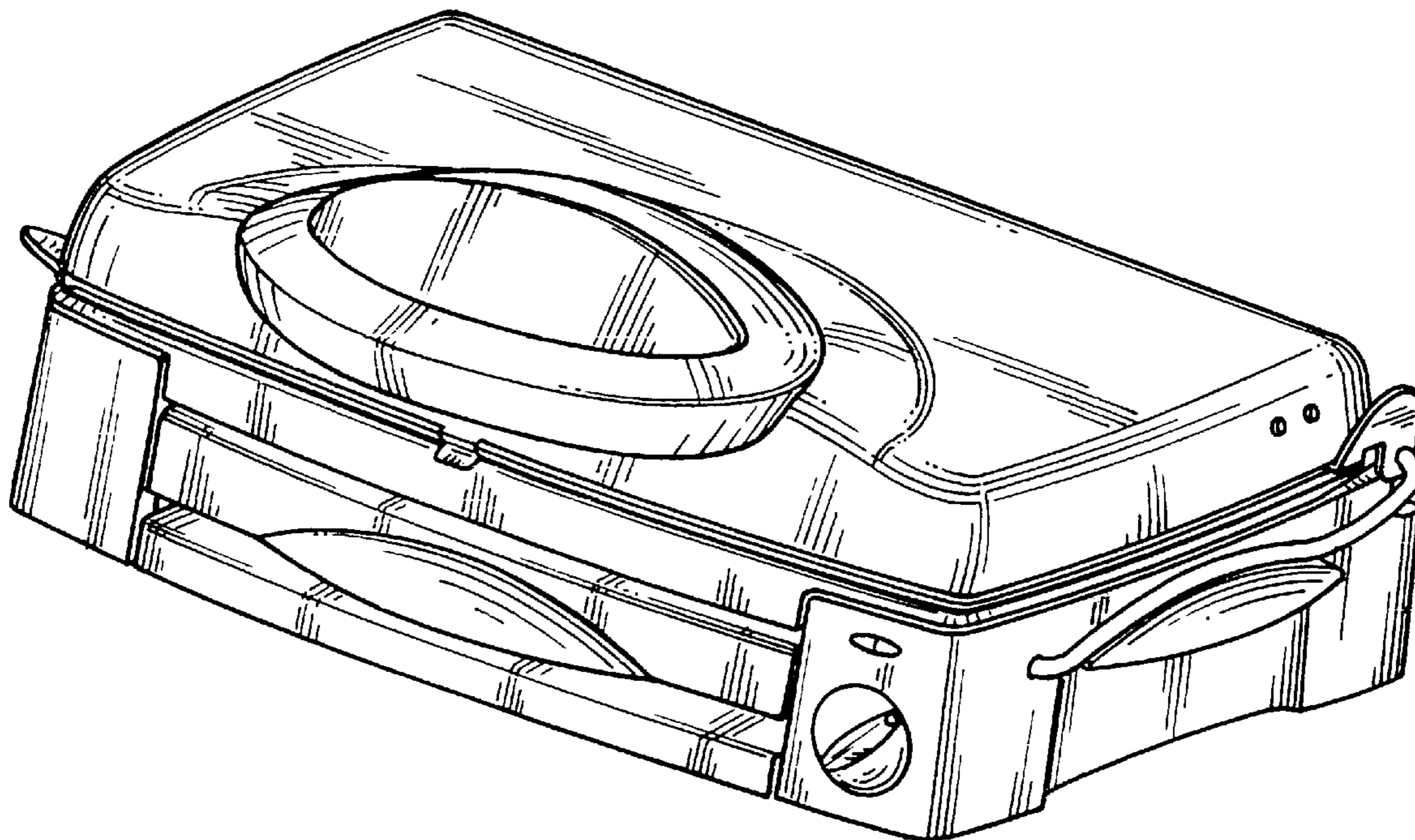
[57] **CLAIM**

The ornamental design for a meat grill, as shown and described.

**DESCRIPTION**

FIG. 1 is a front elevational view of a meat grill showing my new design;  
FIG. 2 is a rear elevational view thereof;  
FIG. 3 is a rear elevational view thereof;  
FIG. 4 is a right side elevational view, the left side elevational view is a mirror image thereof;  
FIG. 5 is a perspective view thereof, viewed from the right side and above; and,  
FIG. 6 is a perspective view thereof, viewed from the right side and above, with a grilling tray extended out of the meat grill.  
The bottom forms no part of the claimed design.

**1 Claim, 4 Drawing Sheets**



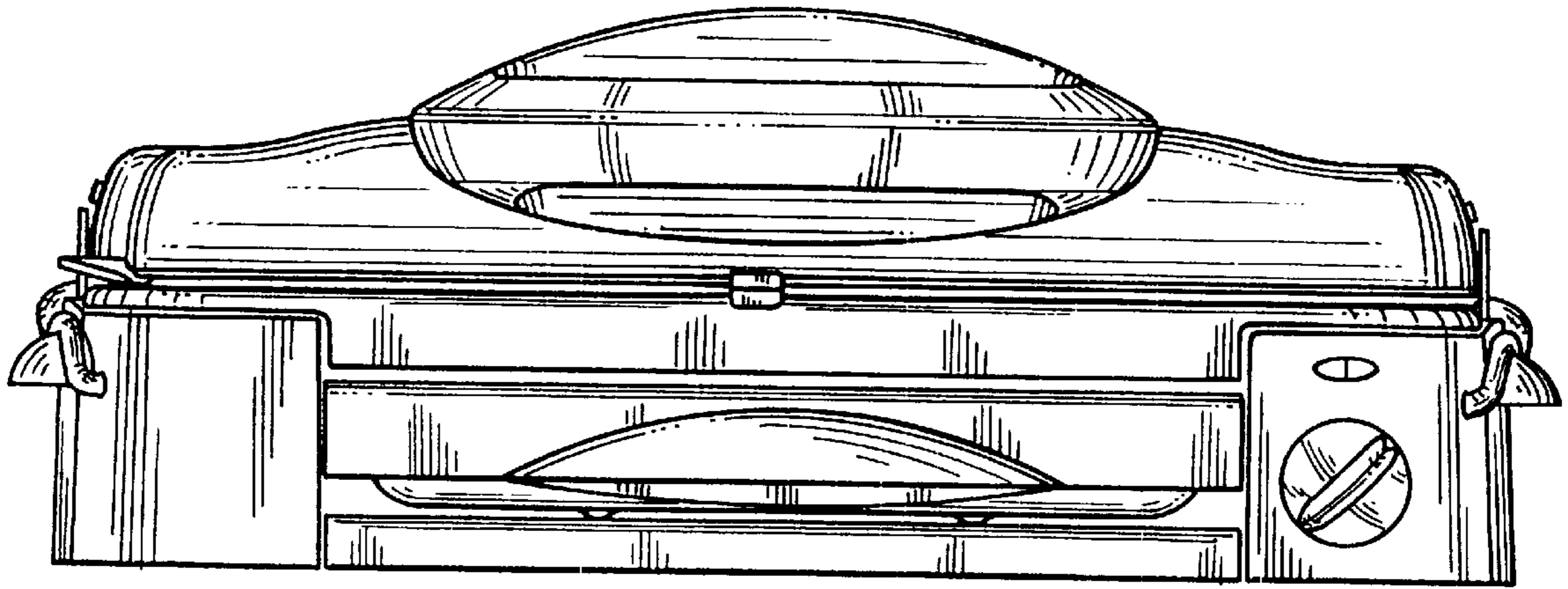


FIG. 1

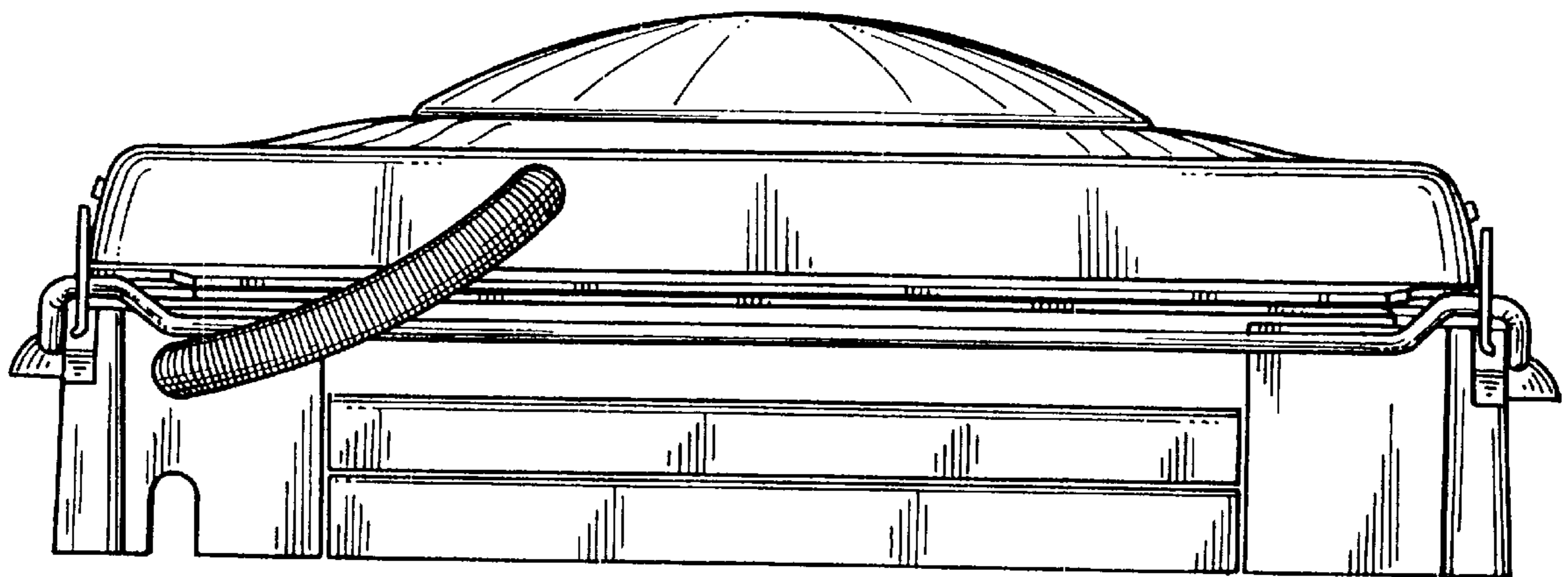


FIG. 2

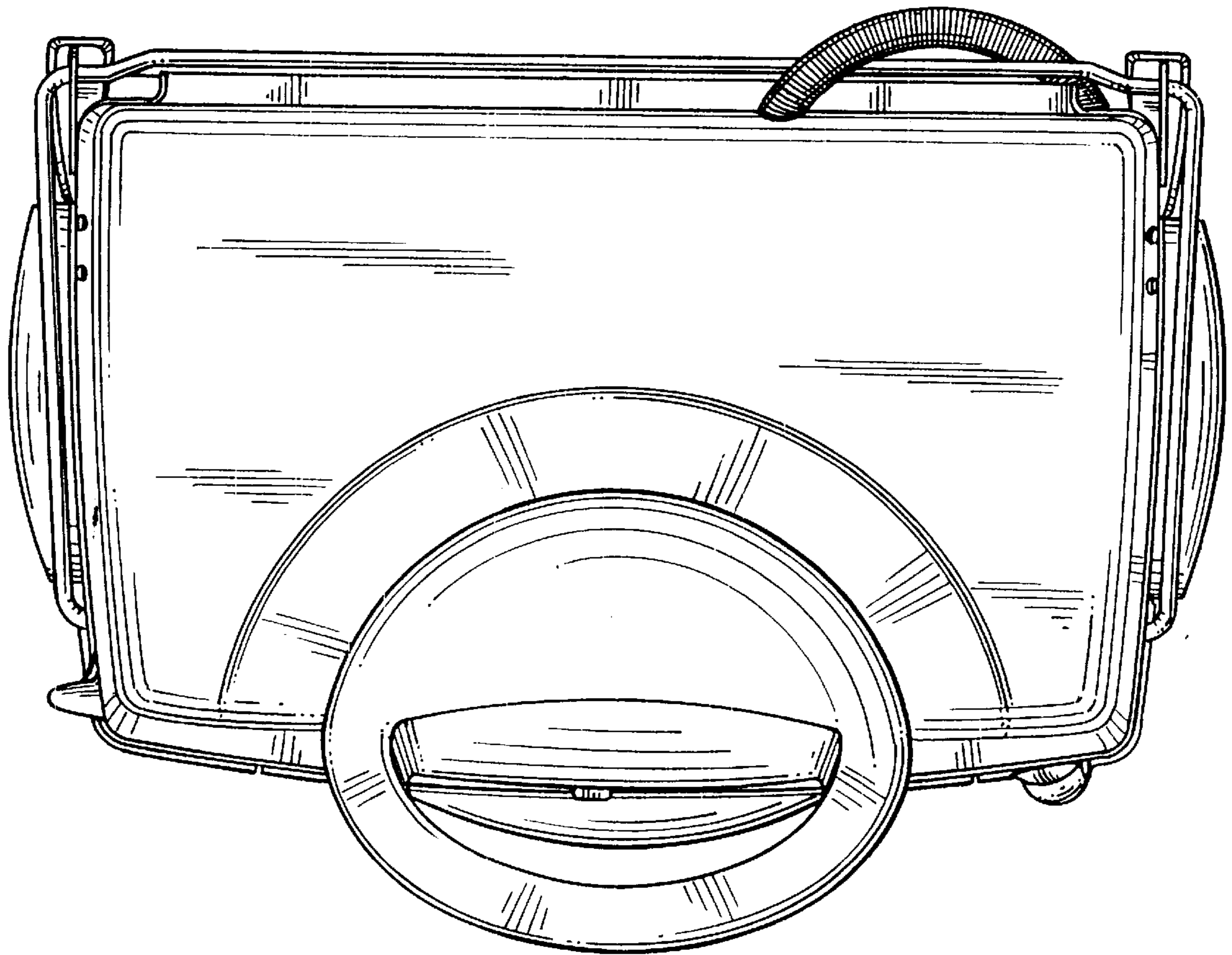


FIG. 3

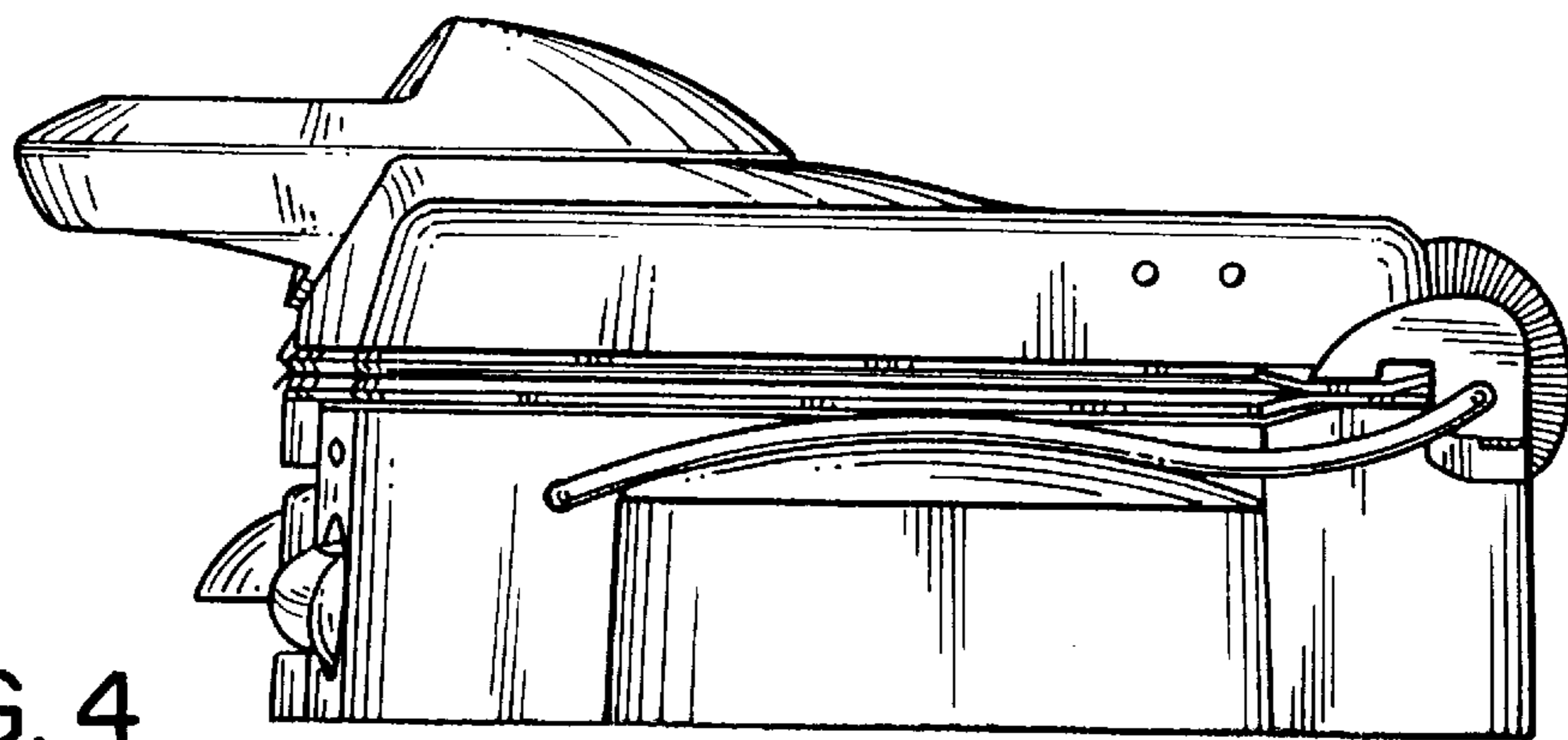


FIG. 4

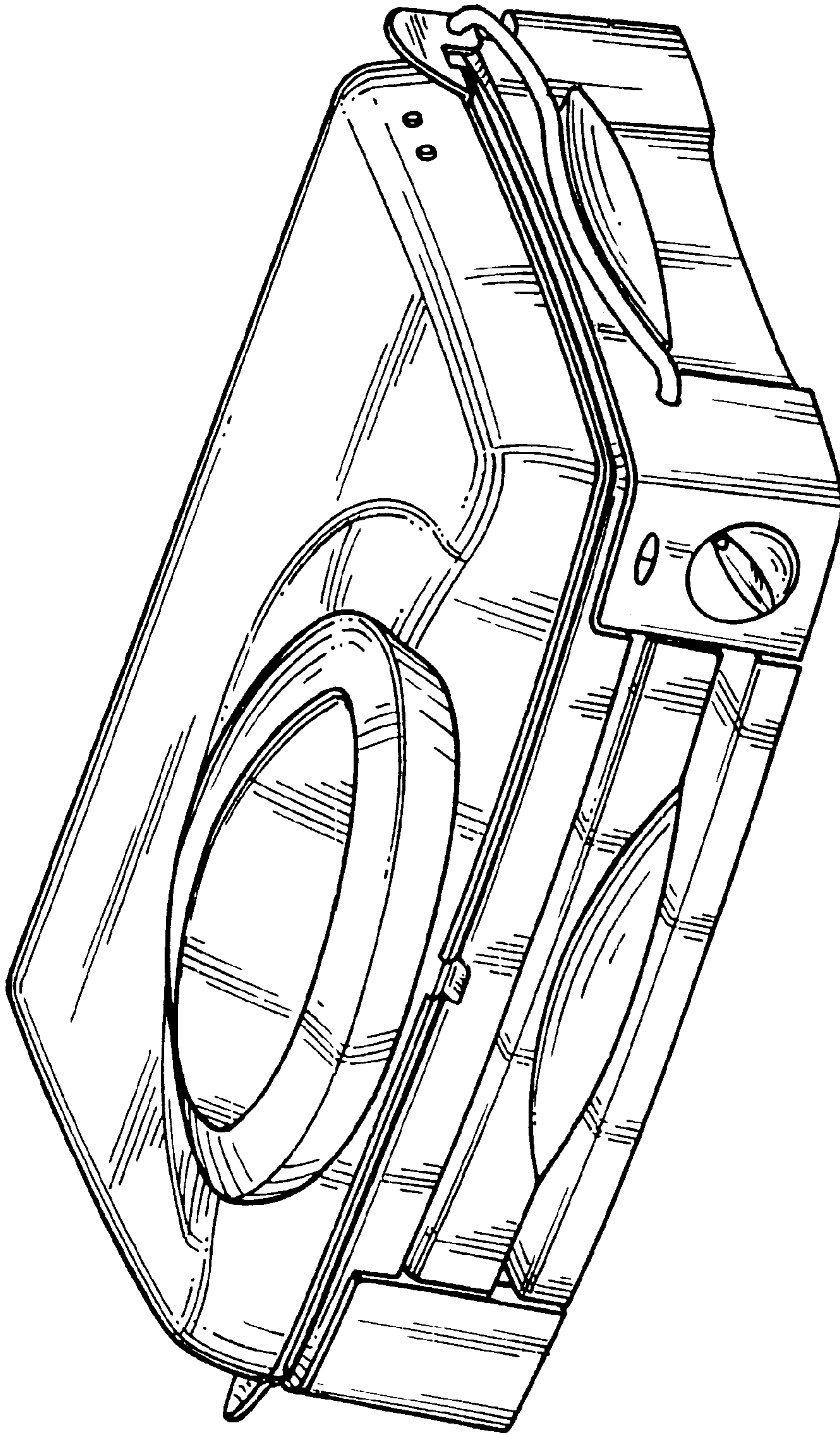


FIG. 5

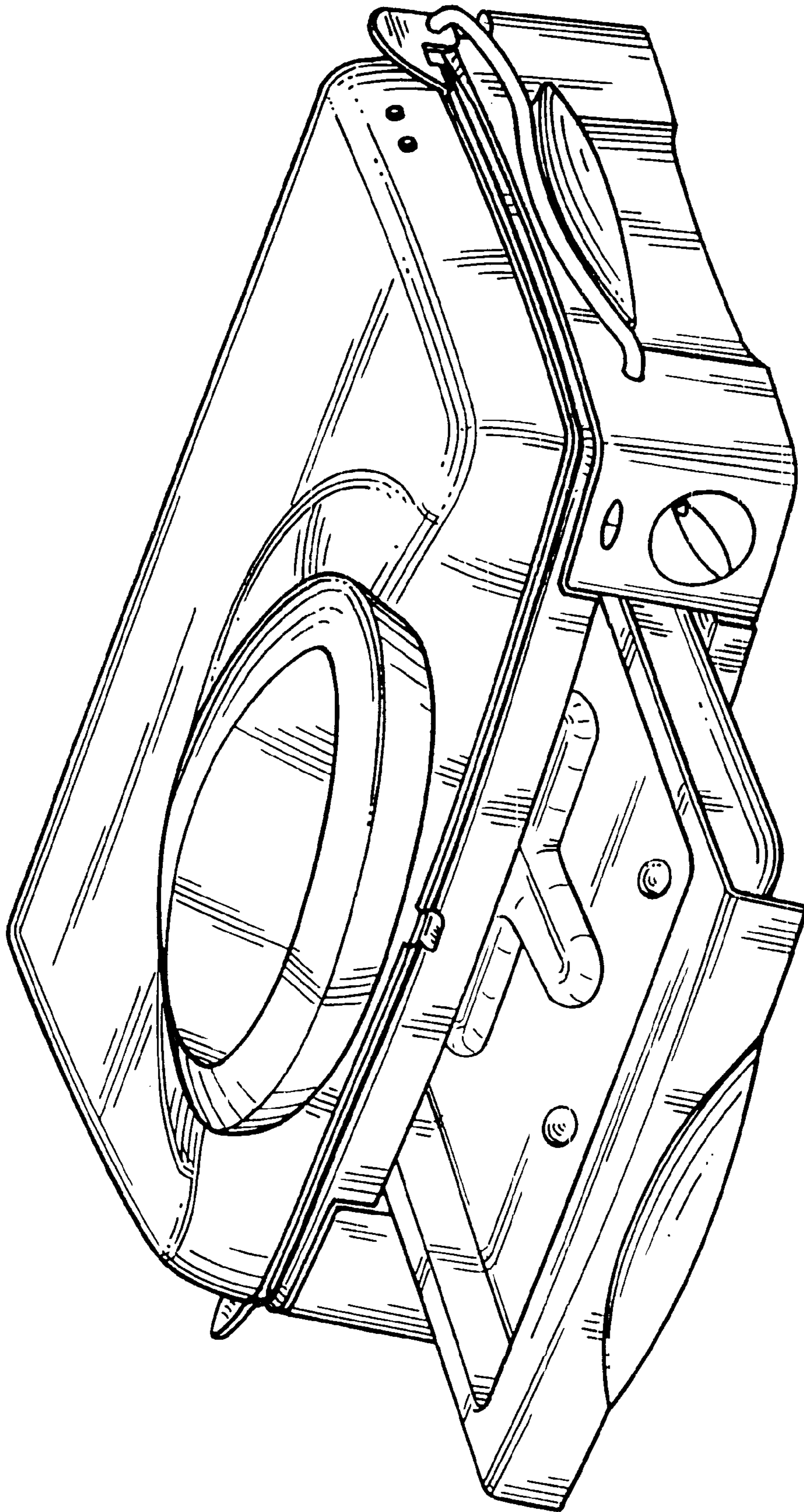


FIG. 6