



US00D413749S

United States Patent [19] Stravitz

[11] **Patent Number: Des. 413,749**

[45] **Date of Patent: ** Sep. 14, 1999**

[54] **STORAGE RACK**

[76] **Inventor: David M. Stravitz, 16 Park Ave., Suite 14A, New York, N.Y. 10016**

[**] **Term: 14 Years**

[21] **Appl. No.: 29/093,665**

[22] **Filed: Sep. 16, 1998**

Related U.S. Application Data

[62] Division of application No. 29/082,153, Jan. 15, 1998.

[51] **LOC (6) Cl. 08-08**

[52] **U.S. Cl. D6/567**

[58] **Field of Search D6/582, 553, 566, D6/567, 569-571; 211/10, 13.1, 41.1, 41.12, 44, 45, 49.1, 86-88, 134**

[56] **References Cited**

U.S. PATENT DOCUMENTS

D. 334,676 4/1993 Liptak D6/553 X

D. 345,071 3/1994 Gould D6/571
D. 363,950 11/1995 Brusing D6/570 X
D. 381,362 7/1997 Meyer D6/571 X
D. 387,384 12/1997 Meyer D6/569 X

Primary Examiner—Brian N. Vinson
Attorney, Agent, or Firm—Frishauf, Holtz, Goodman, Langer & Chick

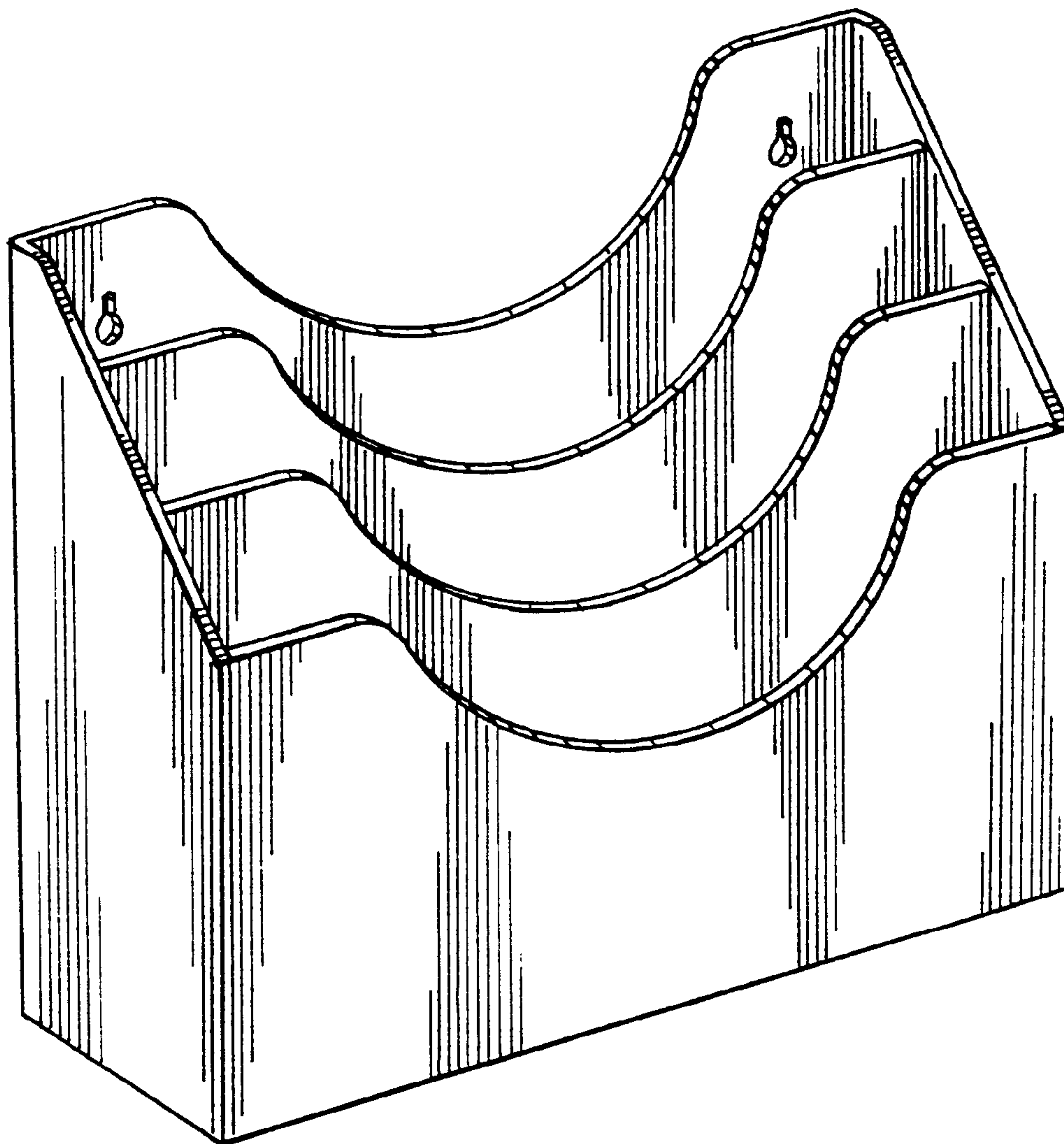
[57] **CLAIM**

The ornamental design for a storage rack, as shown and described.

DESCRIPTION

FIG. 1 is a front, left side and top perspective view of a second embodiment thereof;
FIG. 2 is a left side elevational view thereof, the right side elevational view being a mirror image;
FIG. 3 is a front elevational view thereof;
FIG. 4 is a rear elevational view thereof;
FIG. 5 is a top plan view thereof; and,
FIG. 6 is a bottom plan view thereof.

1 Claim, 2 Drawing Sheets



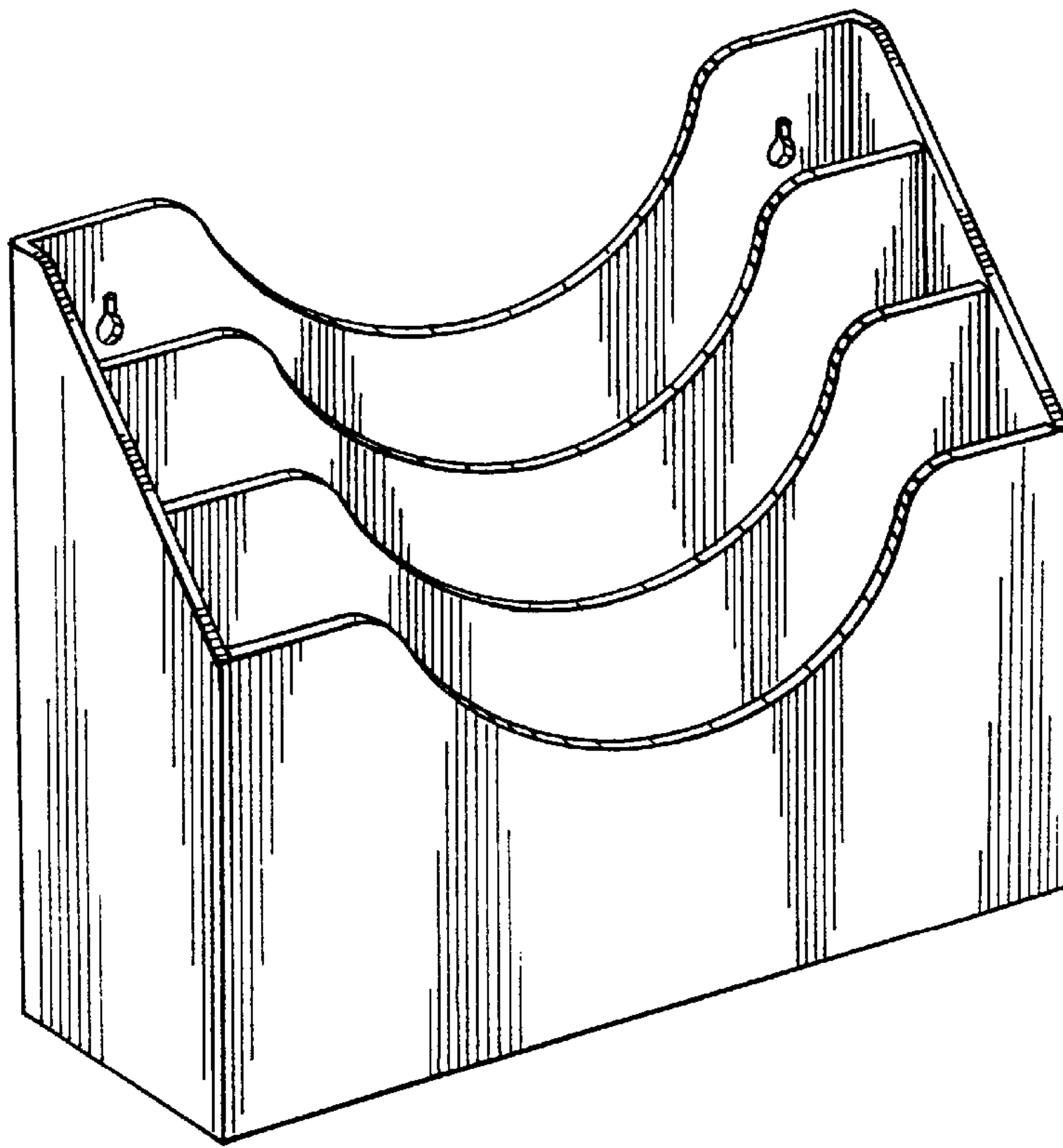


Fig. 1

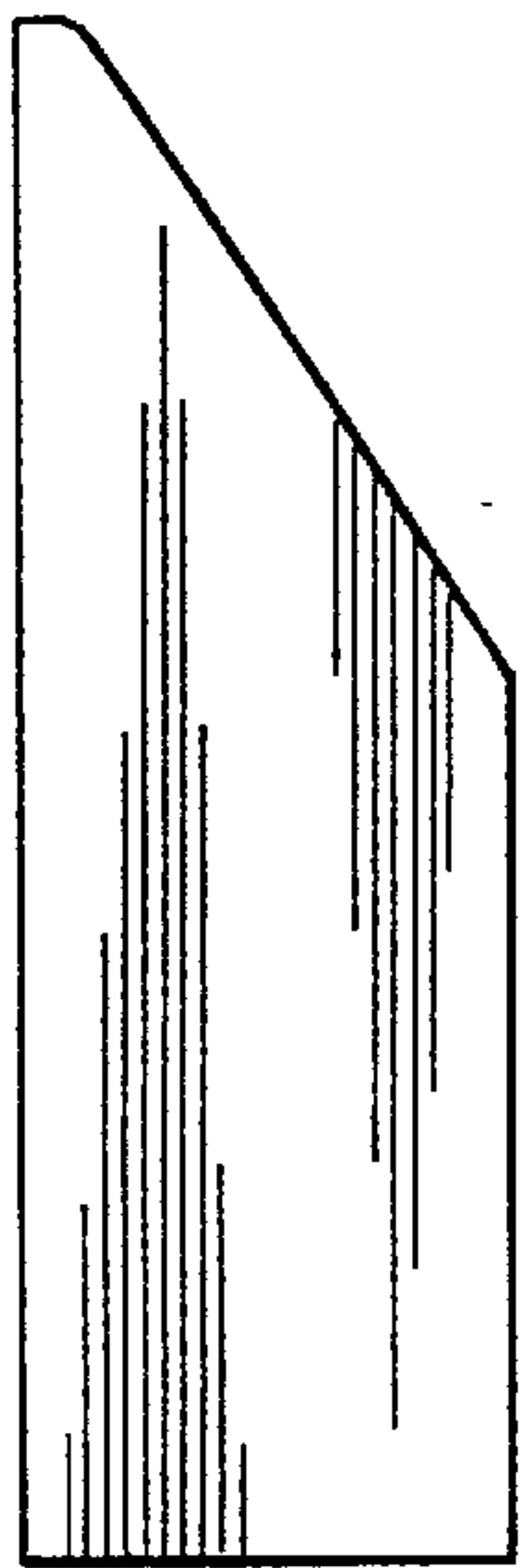


Fig. 2

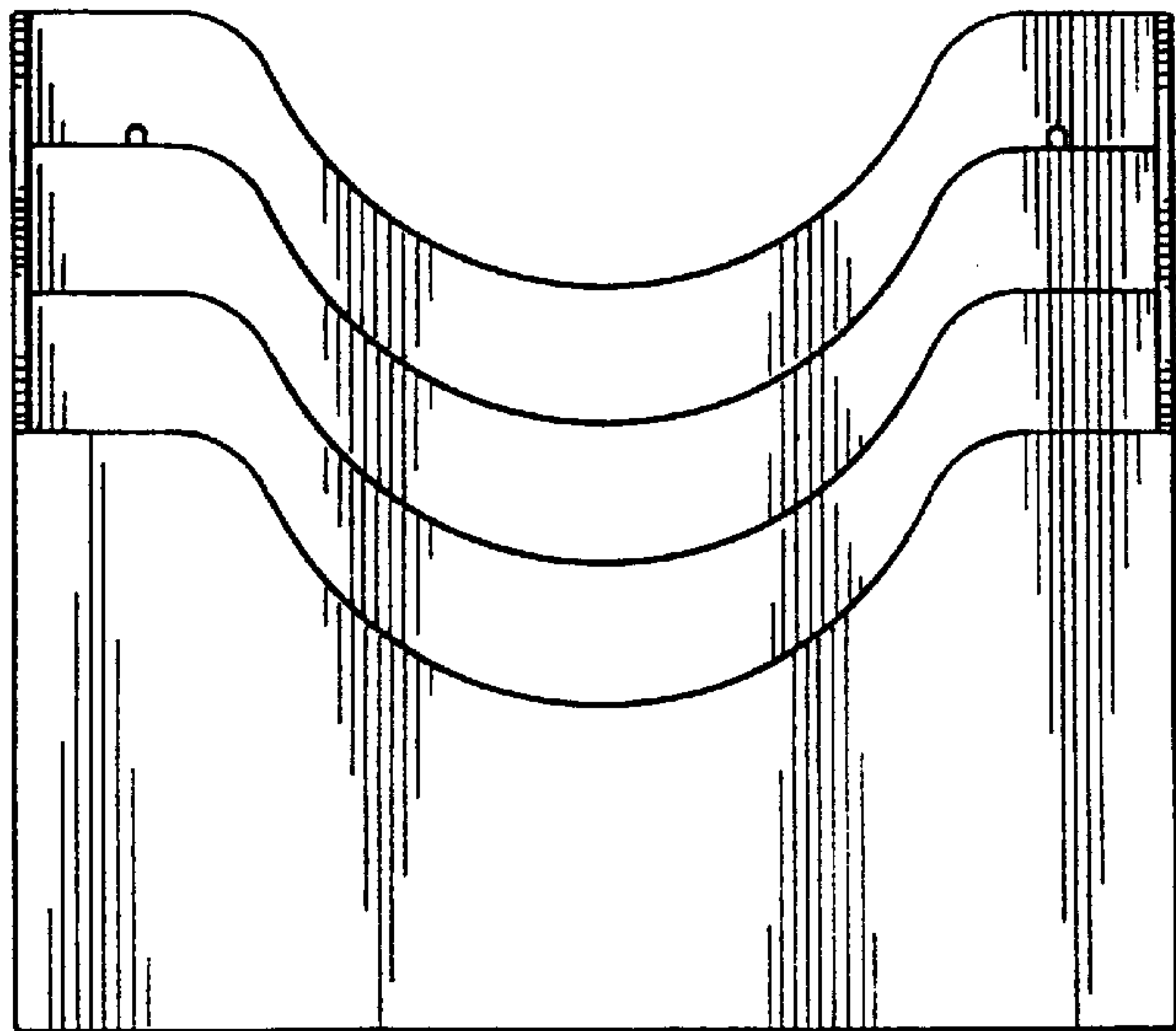


Fig. 3

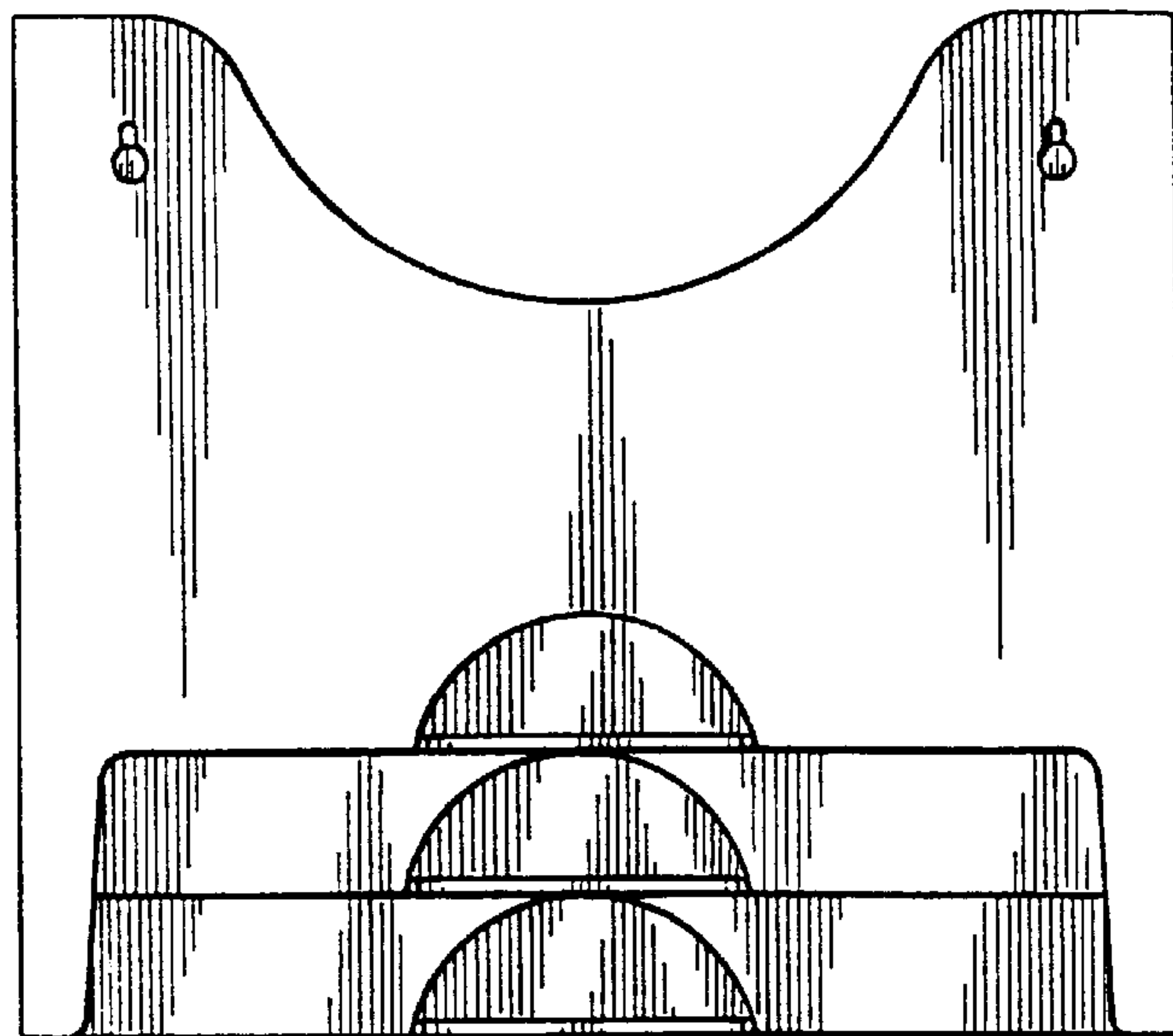


Fig. 4

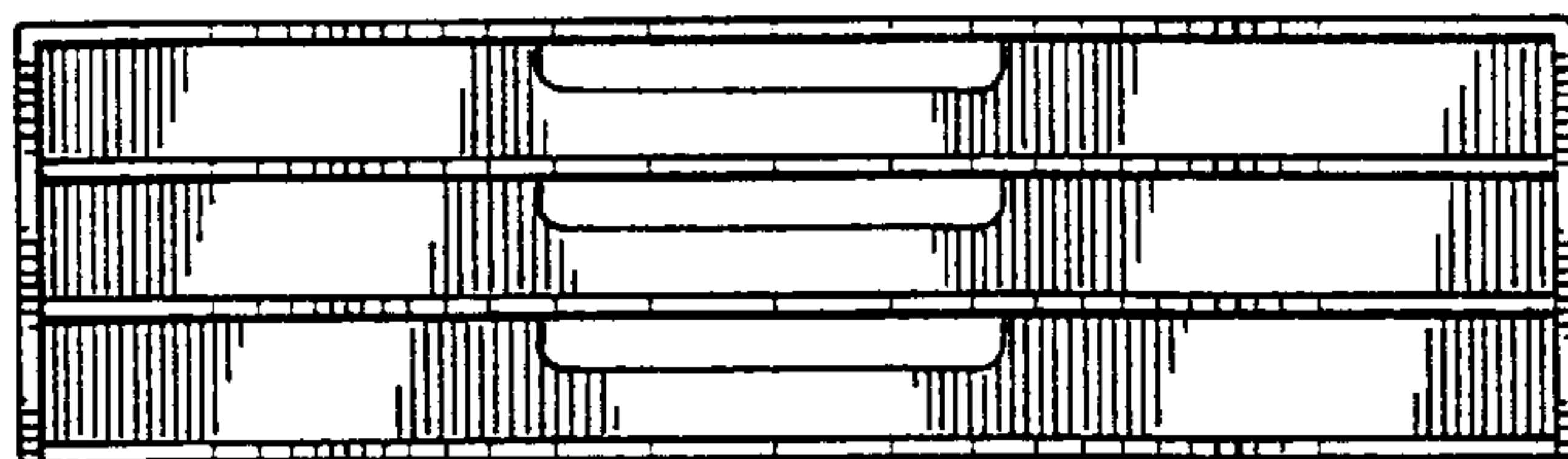


Fig. 5

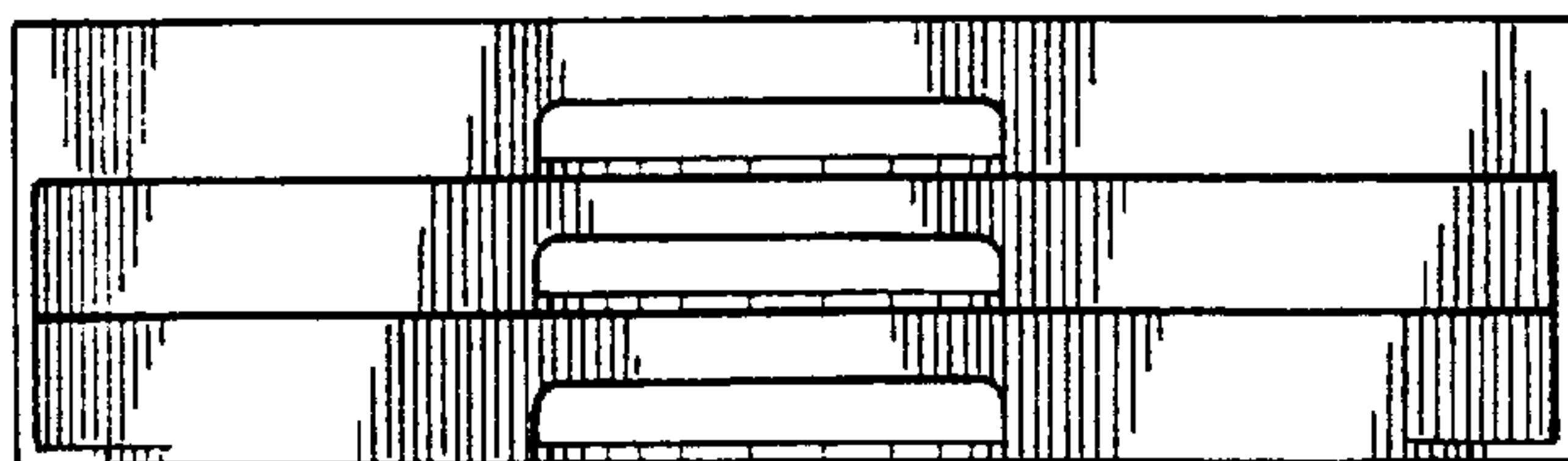


Fig. 6