



US00D413747S

United States Patent [19]

Devens

[11] Patent Number: Des. 413,747

[45] Date of Patent: ** Sep. 14, 1999

[54] TOOTHBRUSH HOLDER

[76] Inventor: Susan Marie Devens, 630-29 S. Knott St., Anaheim, Calif. 92804

[**] Term: 14 Years

[21] Appl. No.: 29/085,192

[22] Filed: Mar. 17, 1998

[51] LOC (6) Cl. 06-02

[52] U.S. Cl. D6/534

[58] Field of Search D6/524, 527, 528, D6/534, 542, 553; 248/108; 211/13, 71, 86-91, 126, 134

1,781,247 11/1930 Rickles .
2,720,439 10/1955 Cristoval 312/206
5,297,677 3/1994 Burian et al. 206/362.4

Primary Examiner—Marcus A. Jackson
Attorney, Agent, or Firm—Goldstein & Canino

[57] CLAIM

The ornamental design for a toothbrush holder, as shown and described.

DESCRIPTION

FIG. 1 is a diagrammatic perspective view of the toothbrush holder in full lines with a toothbrush shown in broken lines representing environmental association matter being for illustrative purposes only and forming no part of the claimed invention.

FIG. 2 is a front elevational view thereof.

FIG. 3 is a rear elevational view thereof.

FIG. 4 is a top plan view of the toothbrush holder.

FIG. 5 is a bottom plan view thereof; and,

FIG. 6 is a right side elevational view thereof, the left side view being a mirror image of the right side view.

[56] References Cited

U.S. PATENT DOCUMENTS

D. 234,036	1/1975	Nixon	D6/528
D. 294,442	3/1988	Bordian	D6/528
D. 322,376	12/1991	Simpson	D6/528
1,180,056	4/1916	Lundy	.	
1,544,694	7/1925	Speidel	.	
1,611,304	12/1926	Coston	.	
1,669,143	5/1928	Pocock	.	

1 Claim, 3 Drawing Sheets

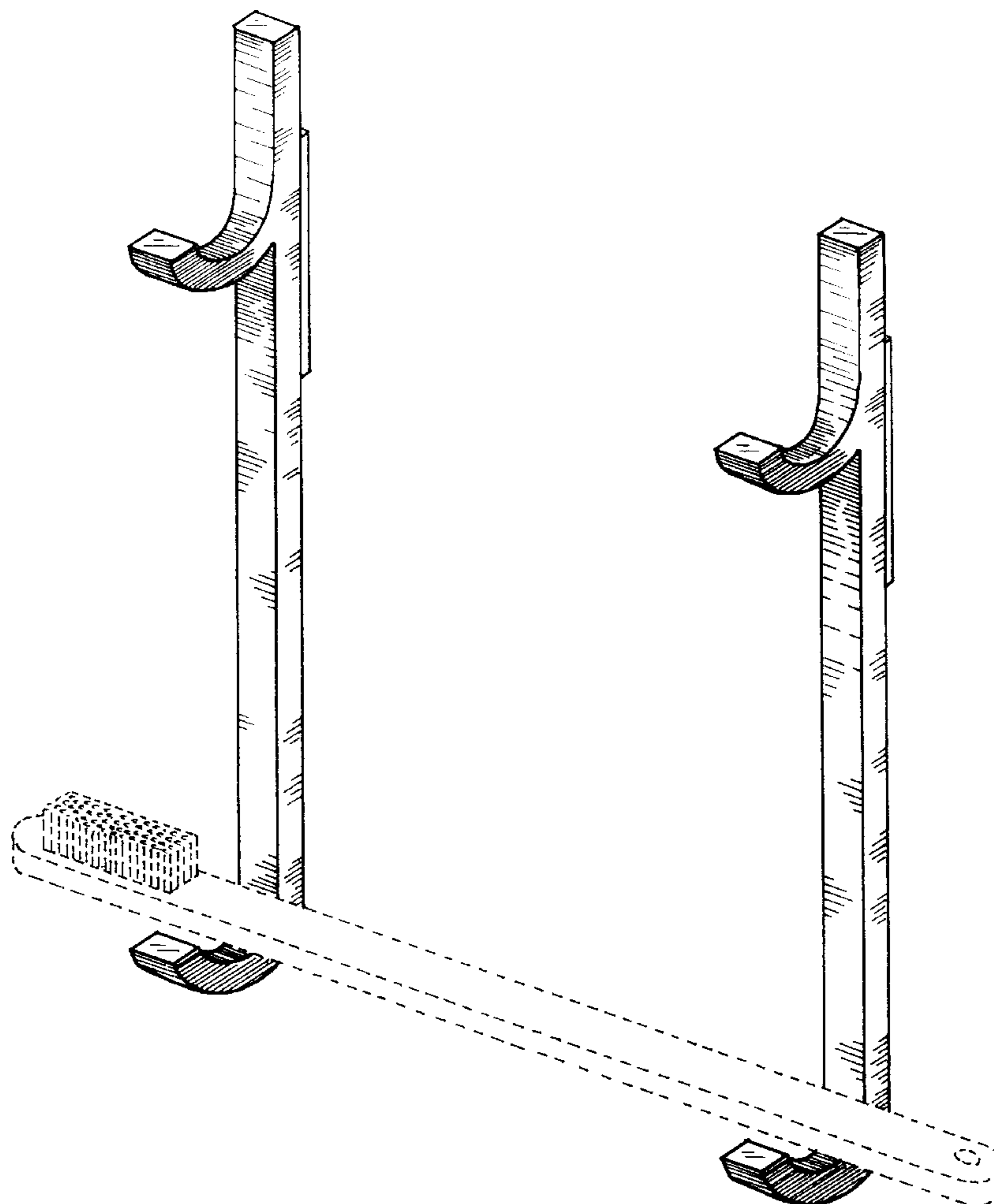


FIG. 1

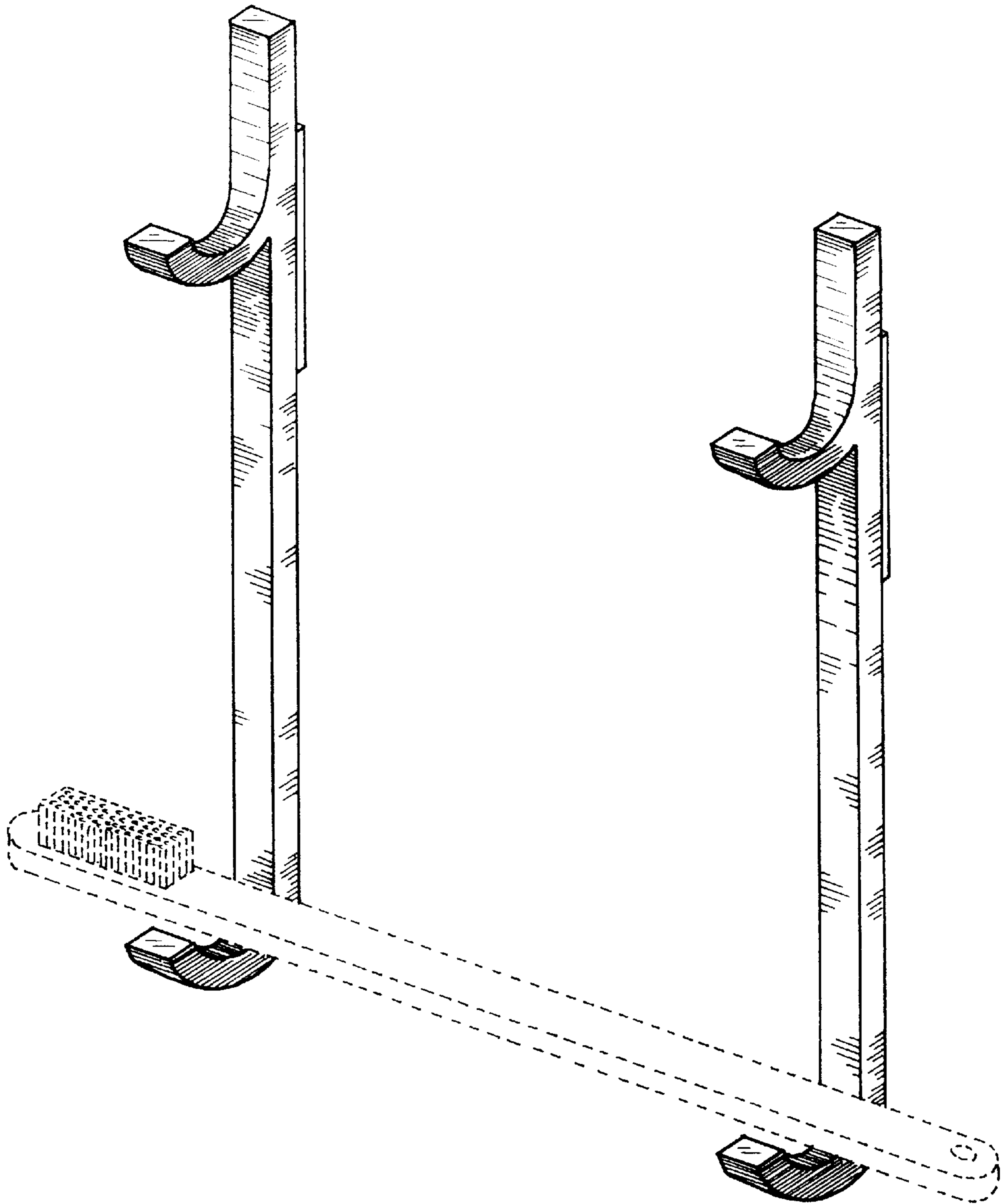




FIG. 3

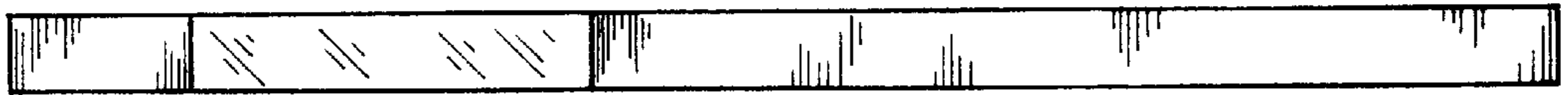


FIG. 2

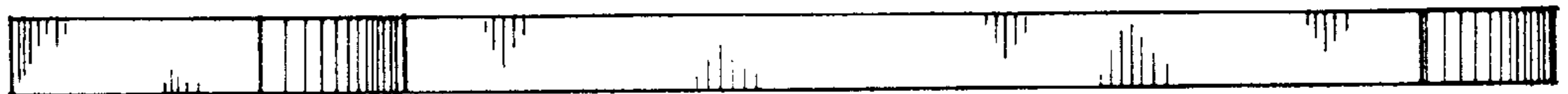


FIG. 6

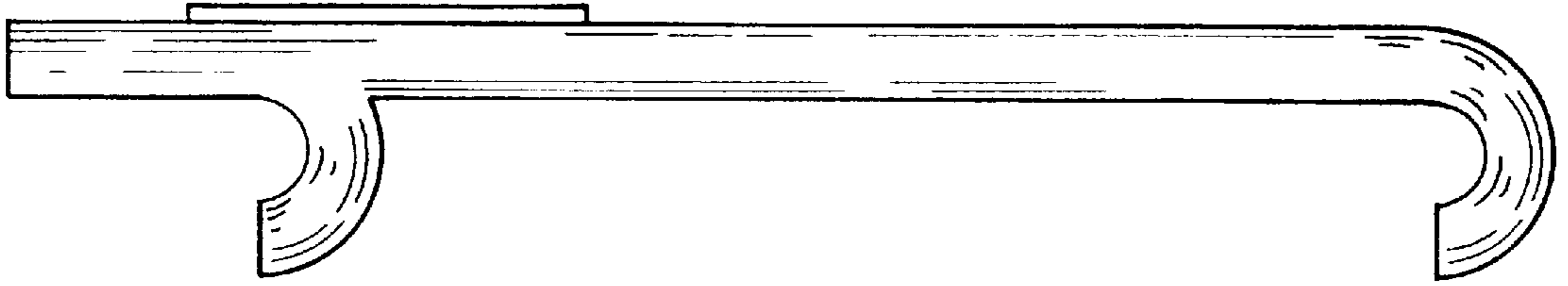


FIG. 4

FIG. 5

