



US00D413745S

United States Patent [19]
Bidwell et al.

[11] **Patent Number: Des. 413,745**

[45] **Date of Patent: ** Sep. 14, 1999**

[54] **PRODUCT MERCHANDISING DISPLAY UNIT**

4,981,224 1/1991 Rushing 211/126.1

[75] Inventors: **Christopher C. Bidwell**, Dunwoody, Ga.; **Jonathan L. Headrick**; **James P. Brauner**, both of Overland, Mo.

Primary Examiner—Doris V. Coles
Assistant Examiner—Linda Brooks
Attorney, Agent, or Firm—Haverstock, Garrett and Roberts

[73] Assignee: **Paul Flum Ideas, Inc.**, St. Louis, Mich.

[57] **CLAIM**
The ornamental design for a product merchandising display unit, as shown and described.

[**] Term: **14 Years**

DESCRIPTION

[21] Appl. No.: **29/076,898**

FIG. 1 is a perspective view of a product merchandising display unit showing my new design;
FIG. 2 is a top plan view thereof;
FIG. 3 is a front elevational view thereof, the rear elevational view being a mirror image thereof;
FIG. 4 is a bottom plan view thereof;
FIG. 5 is a left side elevational view thereof, the opposite side being a mirror image thereof;
FIG. 6 is a perspective view of another embodiment of the product merchandising display unit of FIGS. 1–5 showing my new design;
FIG. 7 is a top plan view of the embodiment shown in FIG. 6;
FIG. 8 is a front elevational view of the embodiment shown in FIG. 6, the rear elevational view being a mirror image thereof;
FIG. 9 is a bottom plan view of the embodiment shown in FIG. 6; and,
FIG. 10 is a left side elevational view of the embodiment shown in FIG. 6, the opposite side being a mirror image thereof.

[22] Filed: **Sep. 25, 1997**

[51] **LOC (6) Cl.** **06-04**

[52] **U.S. Cl.** **D6/510**

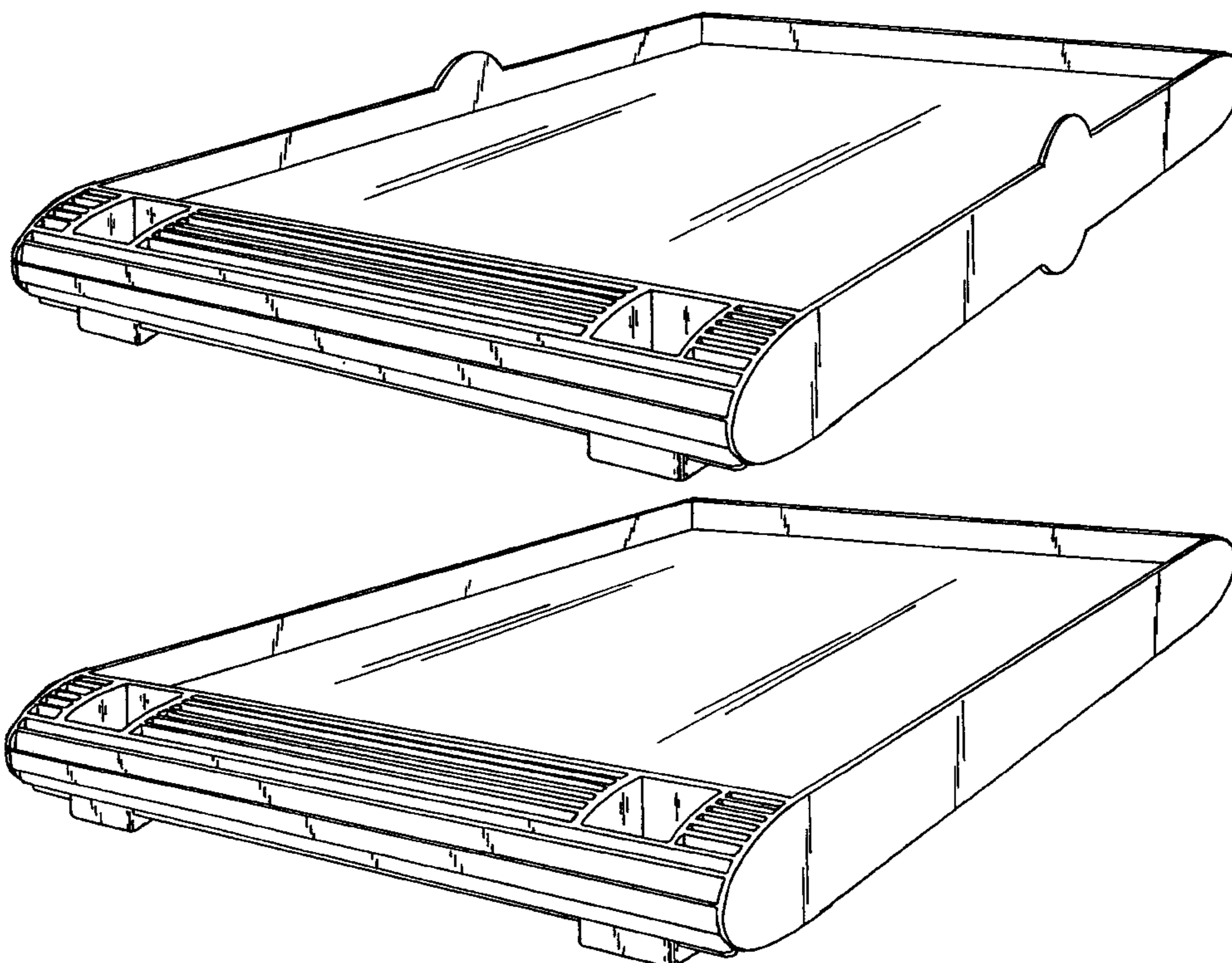
[58] **Field of Search** D6/475–479, 553, D6/574, 509–511; 211/59.2, 59.3, 59.4, 11, 49.1, 71.01, 74, 85.26, 86.01, 126.1, 126.4, 126.5, 126.6, 126.12, 126.14, 133.1, 133.3, 134, 186–189, 190, 193–195; 206/503, 505, 507, 509, 557, 563, 564; 108/25, 26, 56.1, 56.3, 55.3, 147.11–147.17, 59, 106–110

[56] **References Cited**

U.S. PATENT DOCUMENTS

D. 296,397	6/1988	Cugley	D6/476
D. 363,840	11/1995	Weshler	D6/476
D. 364,987	12/1995	Chow	D6/629
3,581,681	6/1971	Newton	108/56.1
4,579,233	4/1986	Hepp	211/126.1
4,887,724	12/1989	Pielechowski et al.	211/126
4,901,872	2/1990	Lang	211/133.1

1 Claim, 8 Drawing Sheets



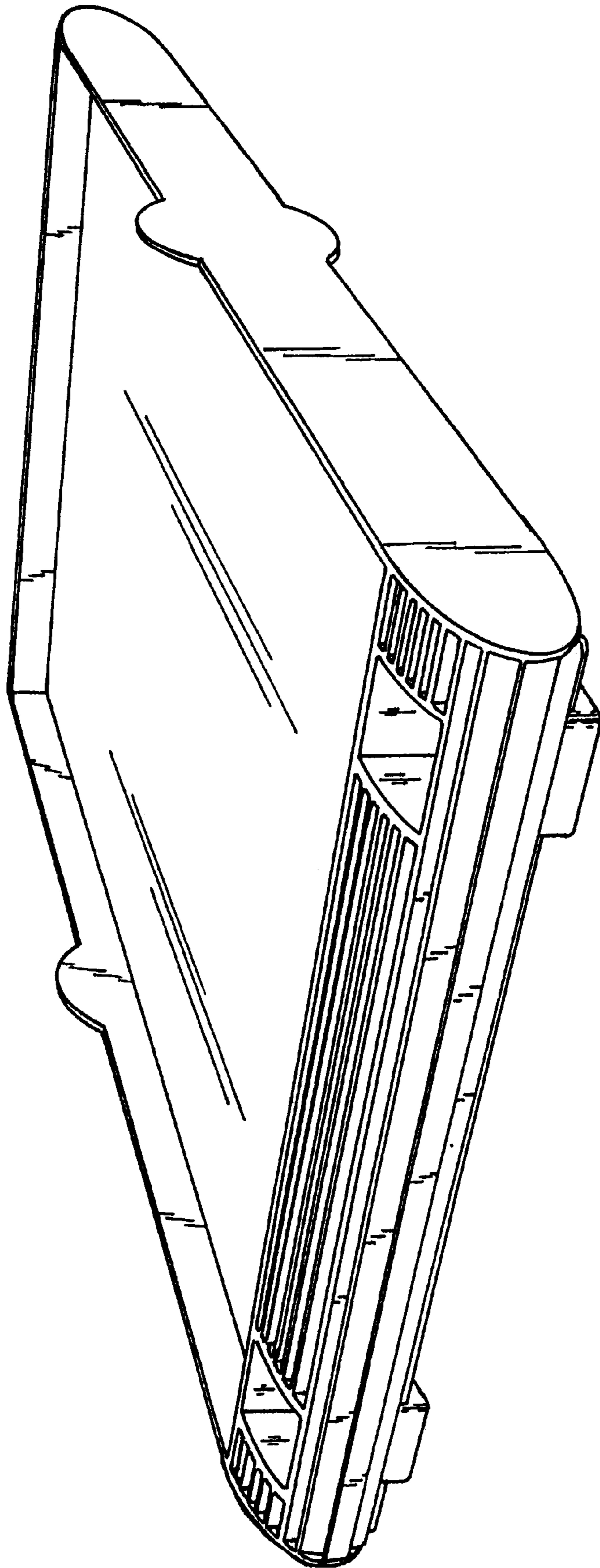


Fig. 1

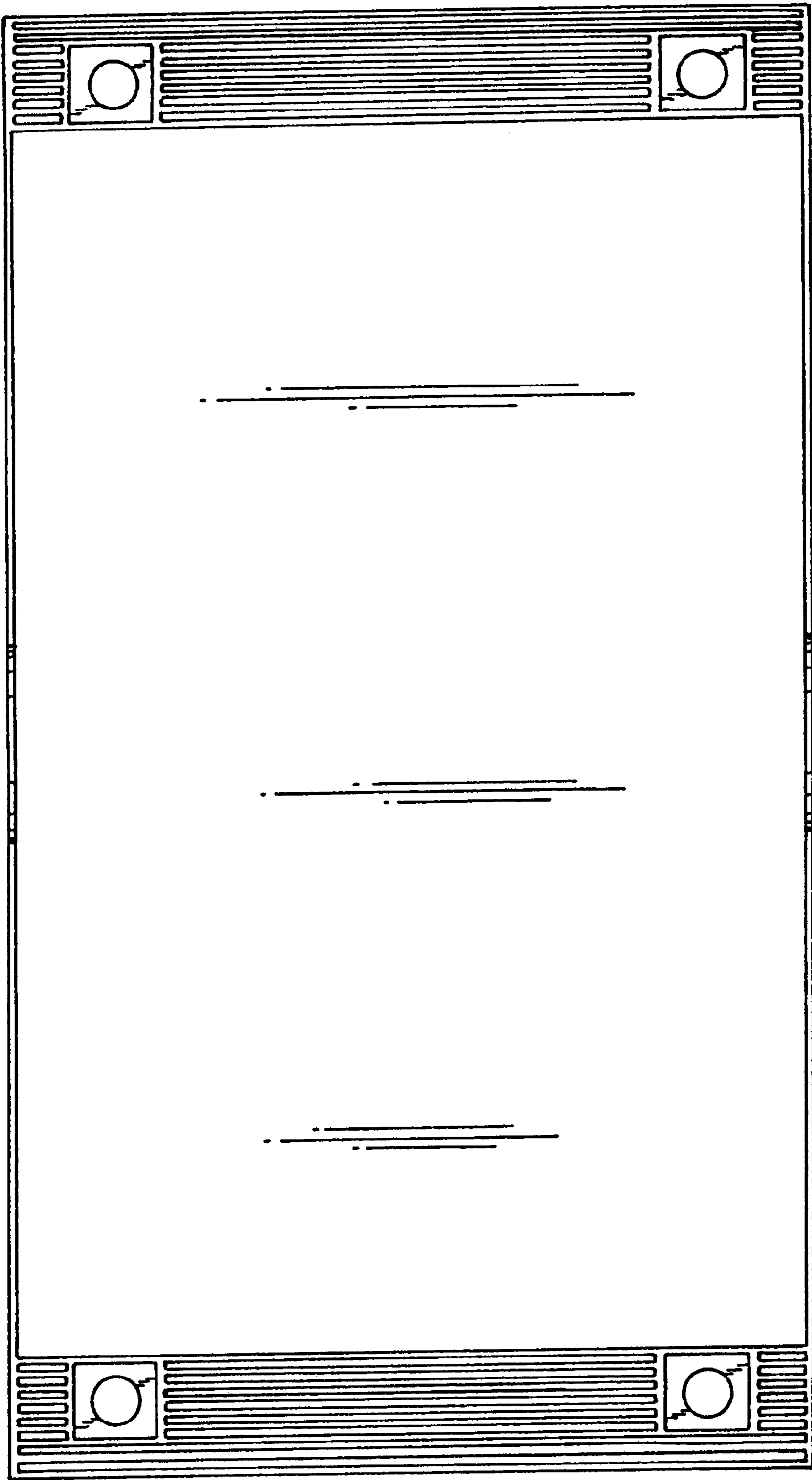


Fig. 2

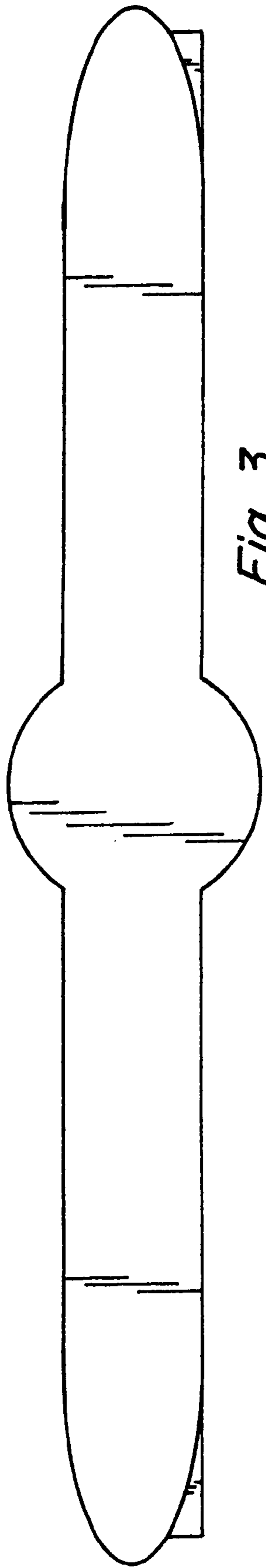


Fig. 3

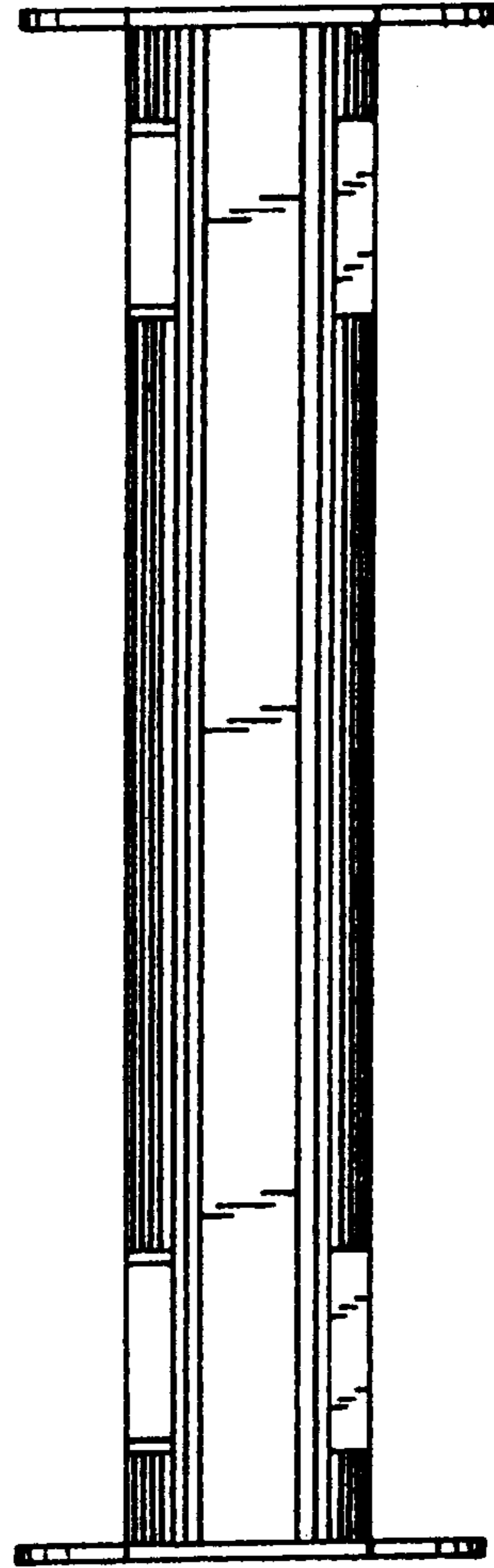


Fig. 5

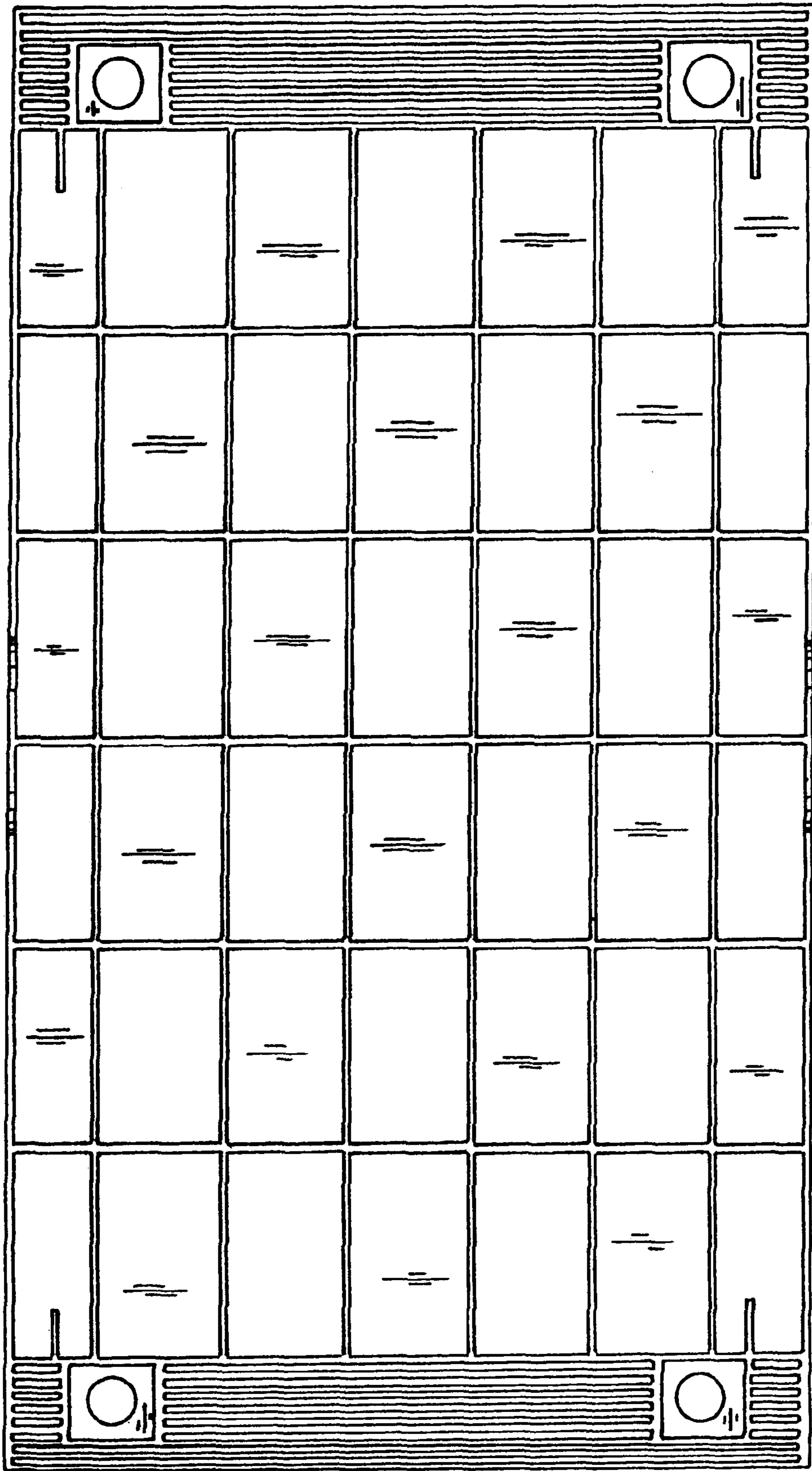


Fig. 4

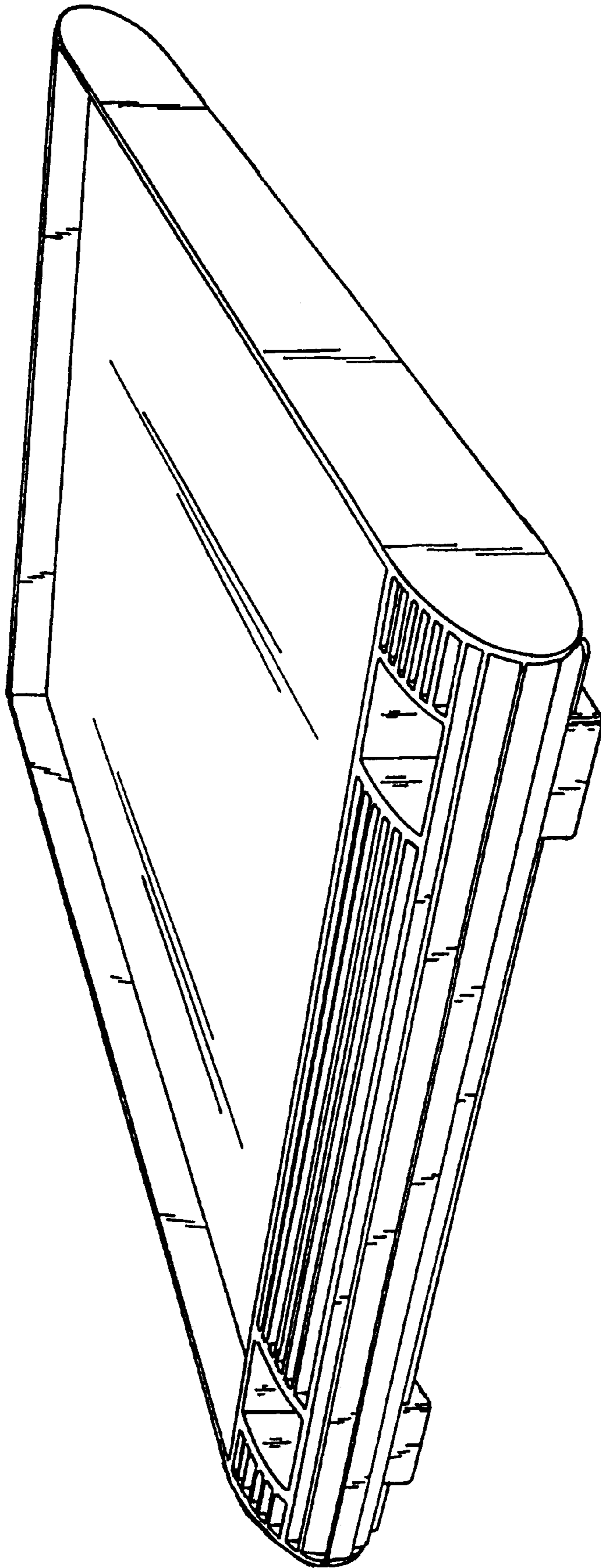


Fig. 6

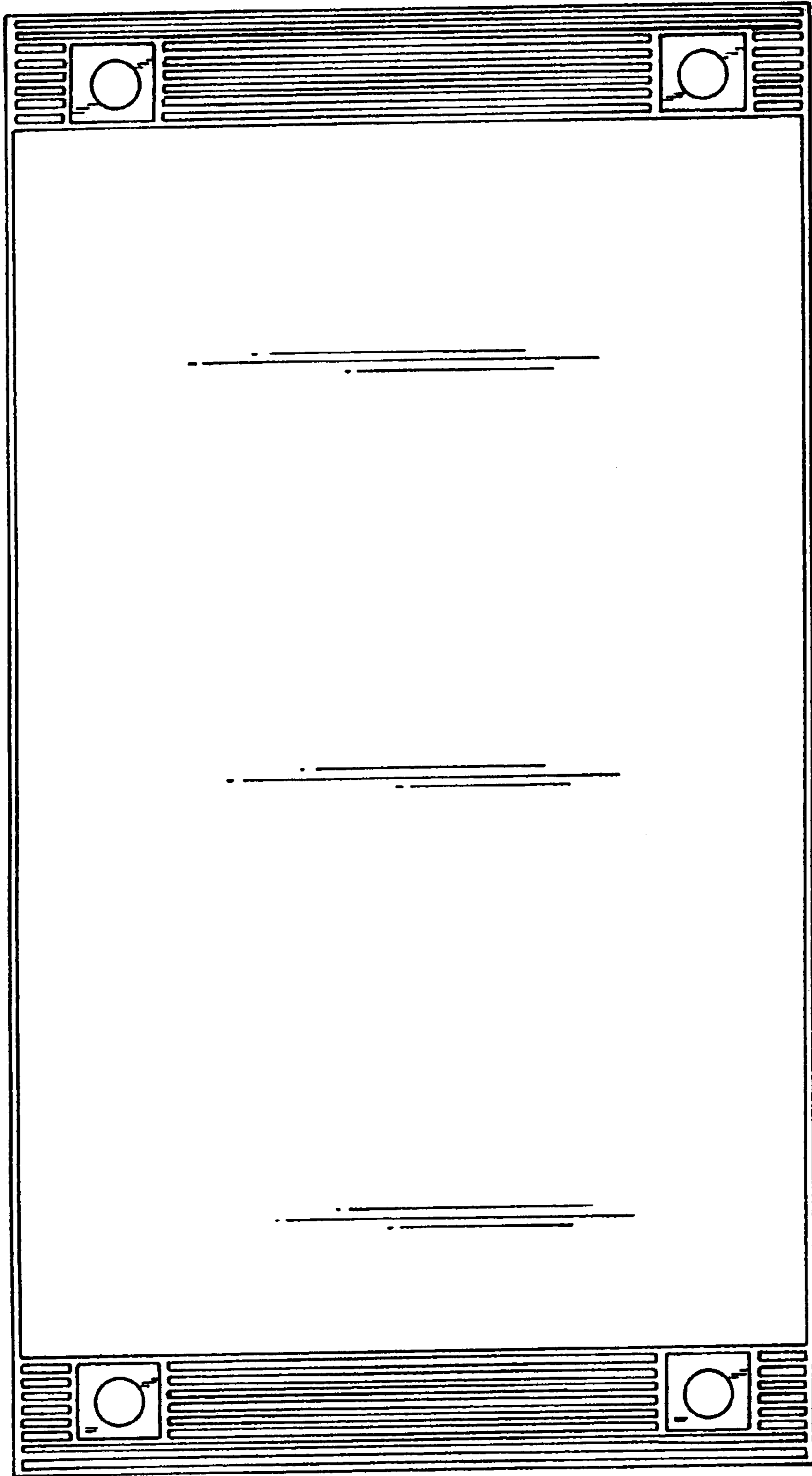


Fig. 7

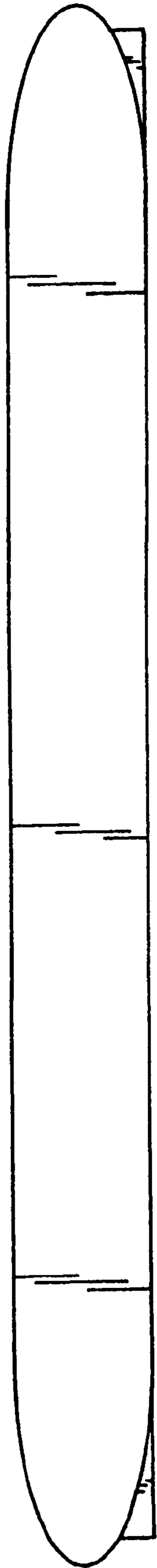


Fig. 8

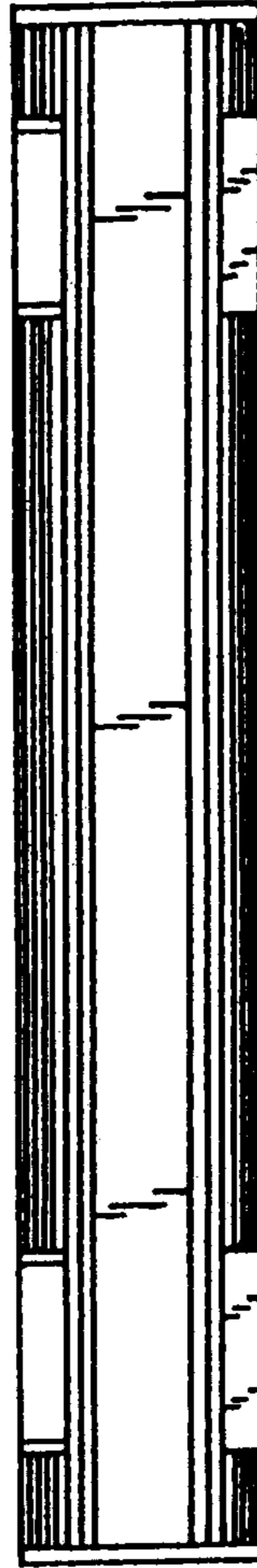


Fig. 10

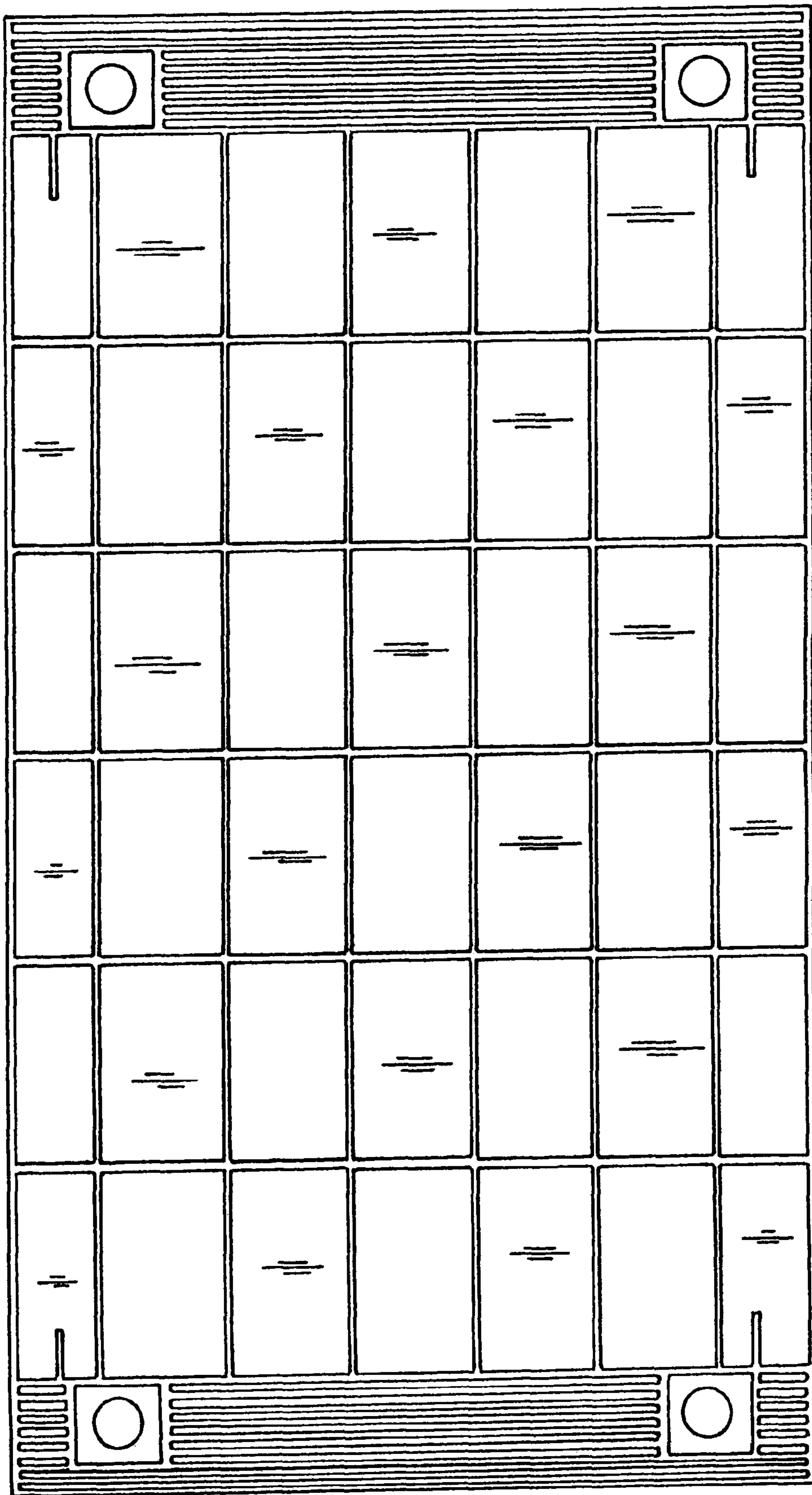


Fig. 9