



US00D413743S

United States Patent [19]

Regan et al.

[11] **Patent Number: Des. 413,743**

[45] **Date of Patent: ** *Sep. 14, 1999**

[54] SURFACE TREATMENT FOR THE EDGE TRIM OF A CHAIR

[75] Inventors: **Kim J. Regan**, Carmel; **Hal I. Bond**, Macy; **Harry Richardson, Jr.**, Carmel, all of Ind.

[73] Assignee: **Hanco, Inc.**, Peru, Ind.

[*] Notice: This patent is subject to a terminal disclaimer.

[**] Term: **14 Years**

[21] Appl. No.: **29/077,297**

[22] Filed: **Oct. 1, 1997**

[51] **LOC (6) Cl.** **06-01**

[52] **U.S. Cl.** **D6/502**

[58] **Field of Search** D6/334, 336, 368, D6/374, 375, 380, 500, 501, 502; 248/345.1; 297/252.29, 452.38, 452.65, 463.1, 463.2

[56] **References Cited**

U.S. PATENT DOCUMENTS

D. 259,841	7/1981	Mioni	D6/380
D. 341,045	11/1993	Barile	D6/502
D. 341,964	12/1993	Sorrentio	D6/500
4,106,739	8/1978	Gasser	248/345.1
5,527,097	6/1996	Martin	297/463.1

OTHER PUBLICATIONS

Edging for backrest of chair No. 8120-AB (p.9) and chair No. 8130-AB (p. 8), Shelby Williams catalog, Oct. 1998.

Primary Examiner—Doris V. Coles

Assistant Examiner—Mimosa De

Attorney, Agent, or Firm—Clifford W. Browning; Woodard, Emhardt, Naughton, Moriarty & McNett

[57] **CLAIM**

The ornamental design for a surface treatment for the edge trim of a chair, as shown and described.

DESCRIPTION

FIG. 1 is a perspective view of a surface treatment for the edge trim of a chair showing our new design.

FIG. 2 is a left side view, the right side view being a mirror image thereof.

FIG. 3 is a front view.

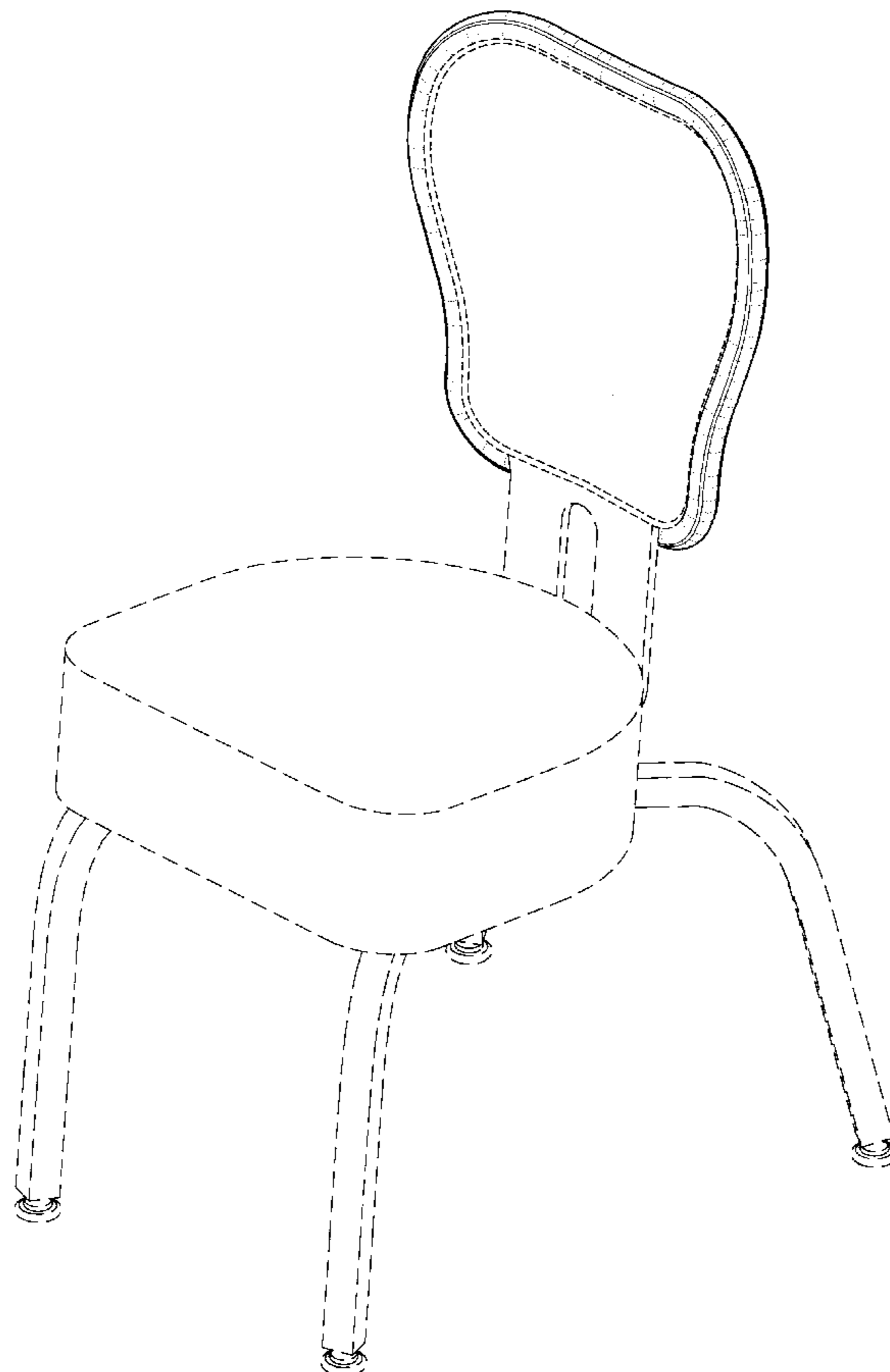
FIG. 4 is a back view.

FIG. 5 is a top view; and,

FIG. 6 is a bottom view.

The broken line showing of a chair is for illustrative purposes only and forms no part of the claimed design, and the broken lines defining the interior boundary of the surface treatment for the edge trim of a chair form no part of the claimed design.

1 Claim, 5 Drawing Sheets



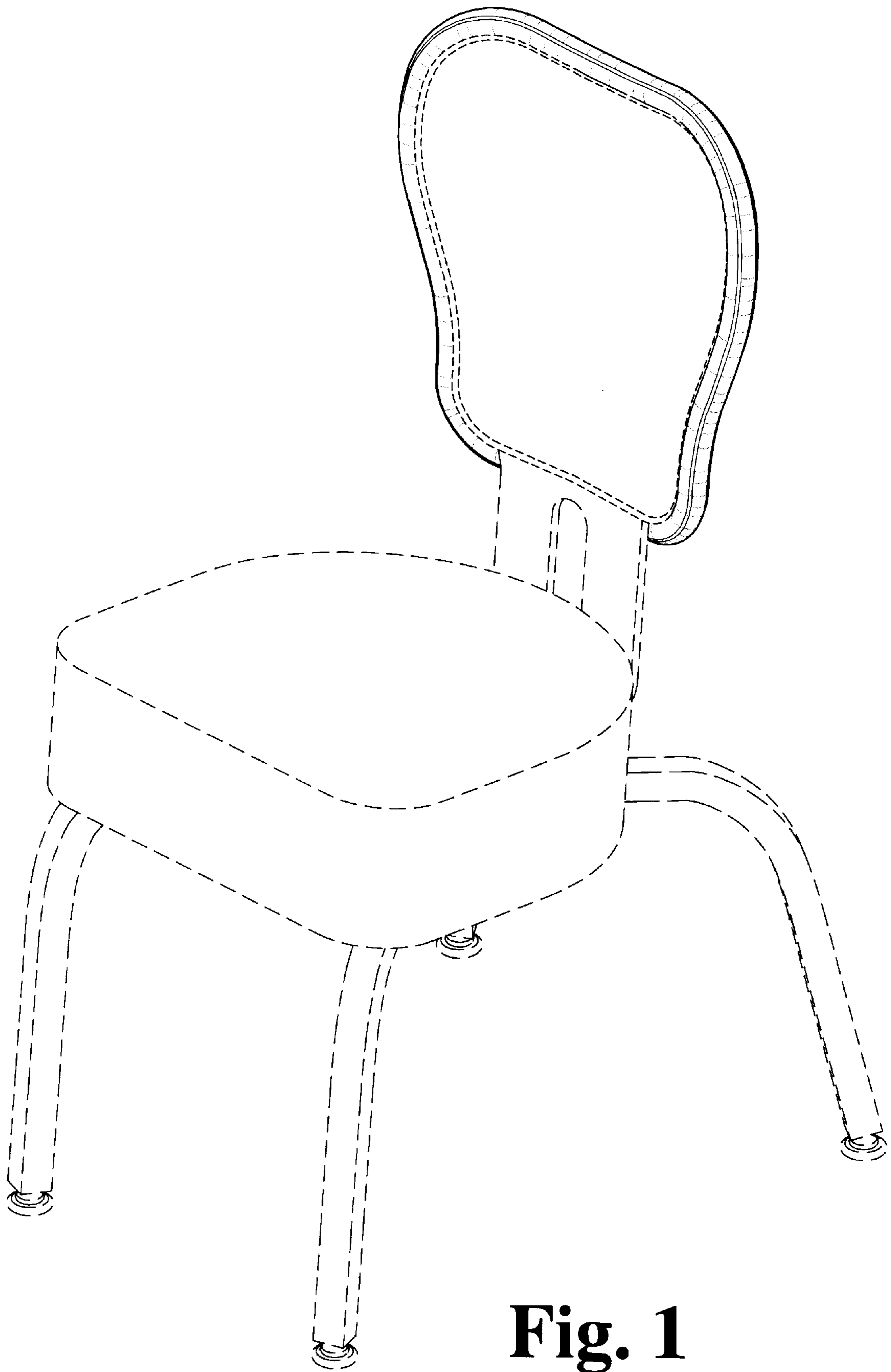


Fig. 1

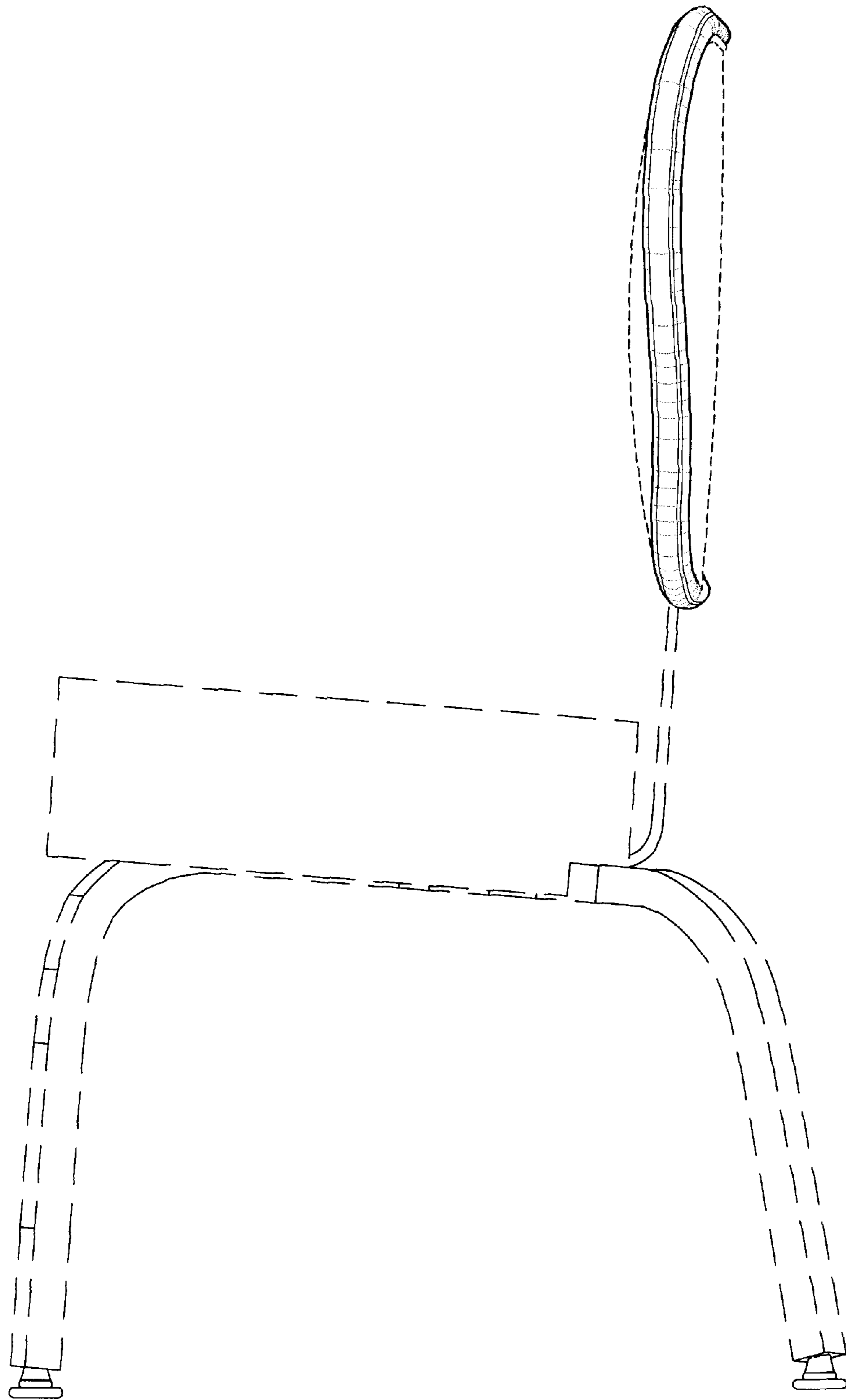


Fig. 2

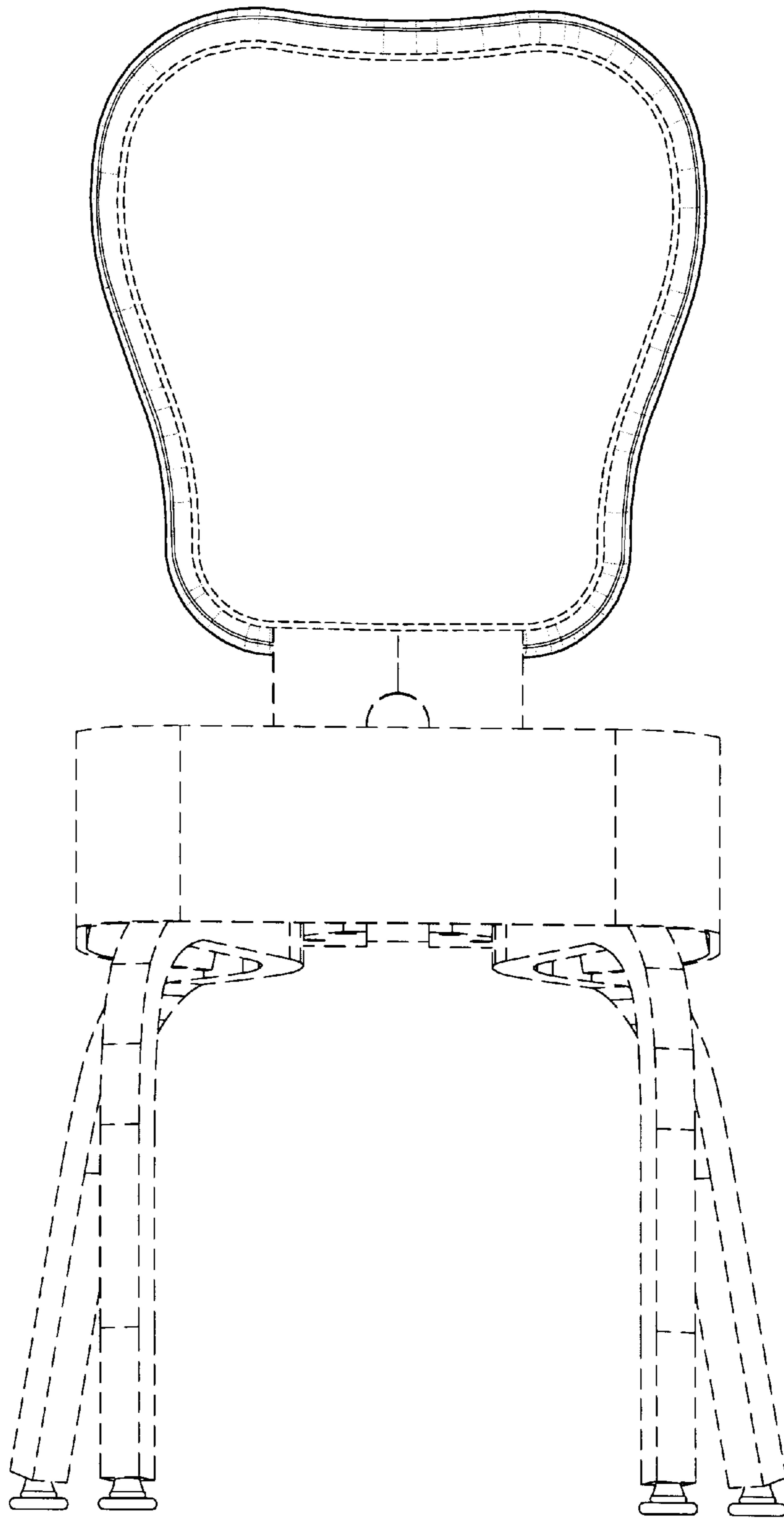


Fig. 3

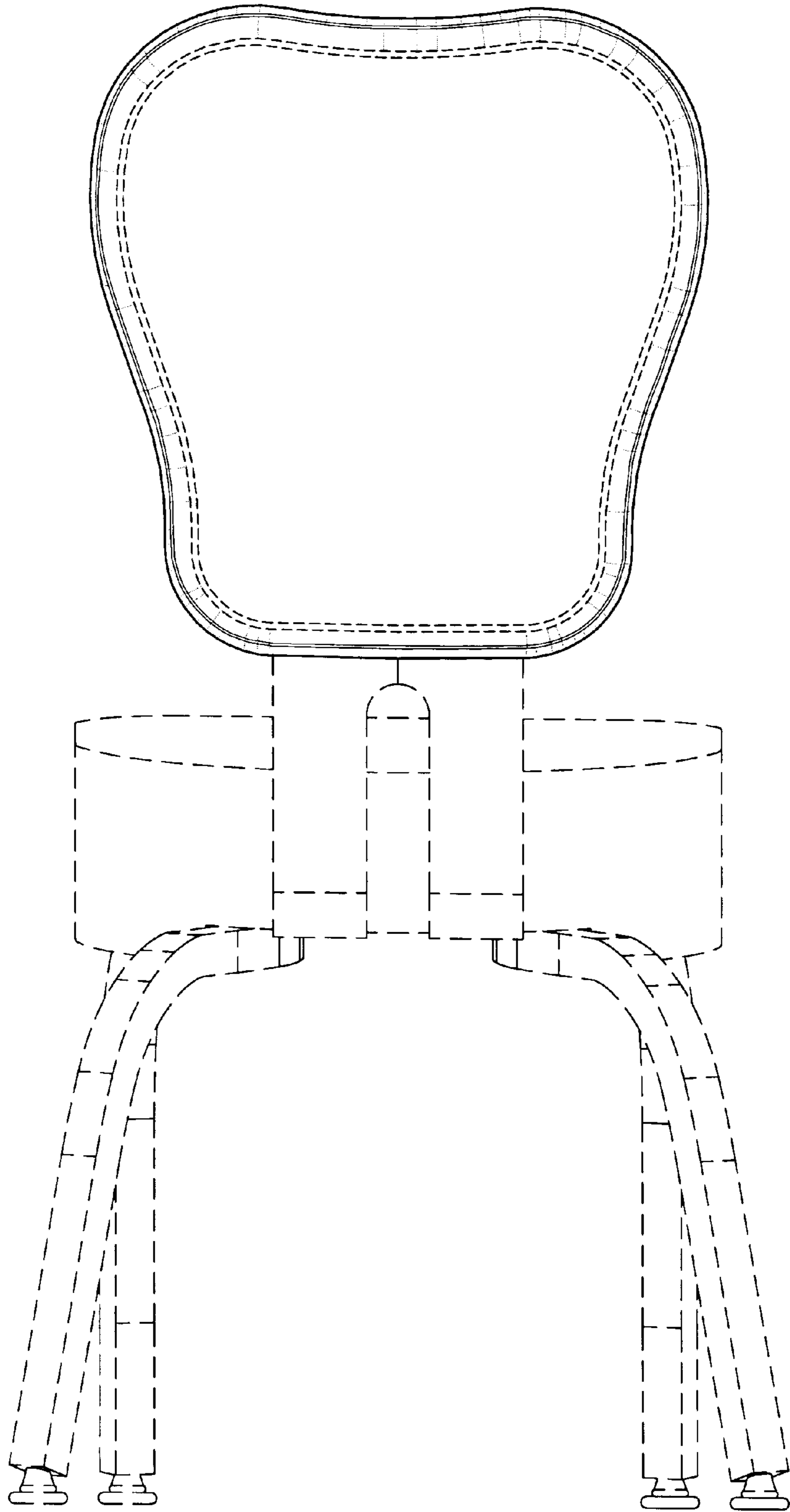


Fig. 4

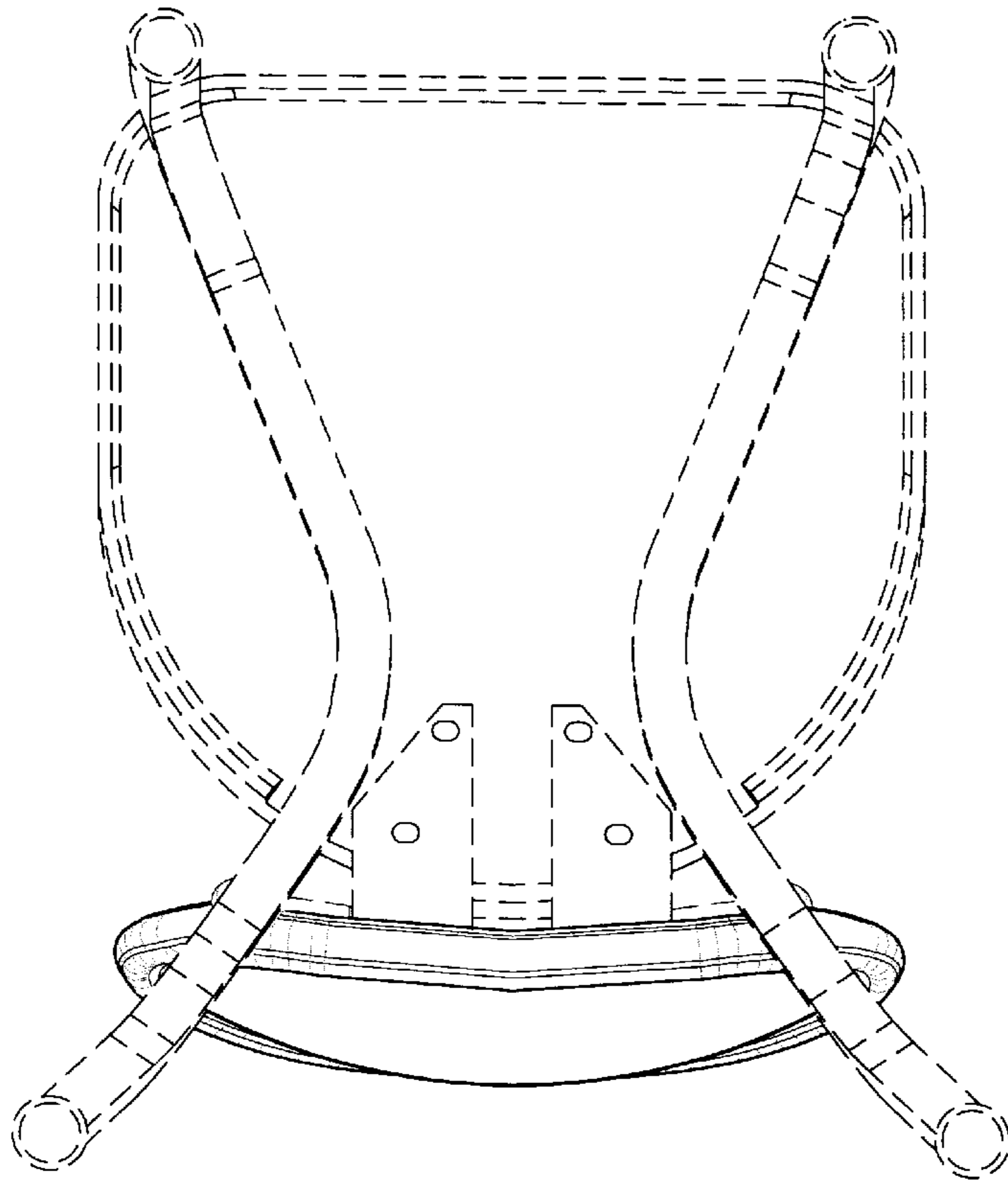


Fig. 6

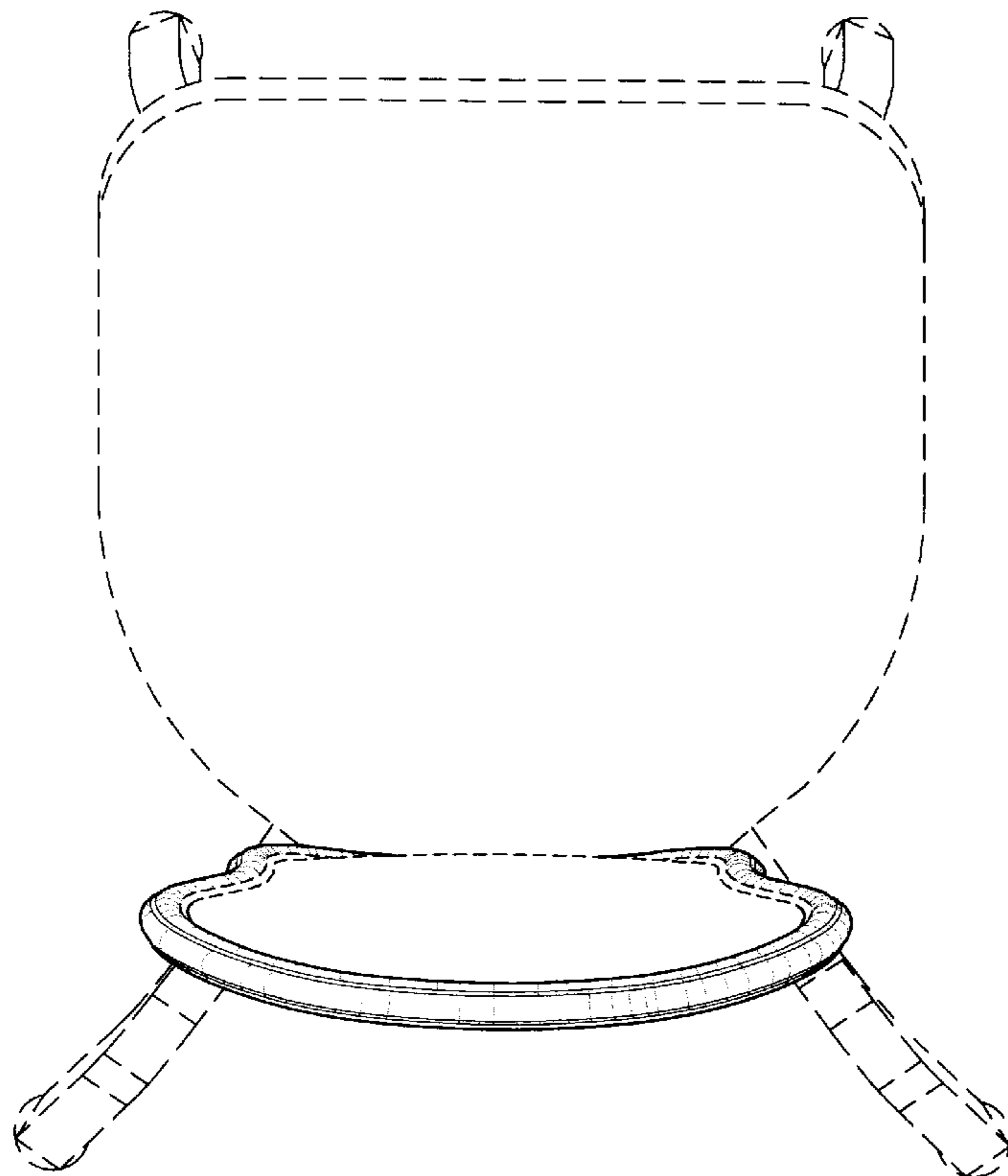


Fig. 5