



US00D413741S

United States Patent [19]
Haynes

[11] **Patent Number: Des. 413,741**

[45] **Date of Patent: ** Sep. 14, 1999**

[54] **BOOK SUPPORT APPARATUS**

[76] Inventor: **Debra Haynes**, 943 Dogwood St.,
Costa Mesa, Calif. 92627

[**] Term: **14 Years**

[21] Appl. No.: **29/079,225**

[22] Filed: **Nov. 10, 1997**

[51] **LOC (6) Cl.** **06-99**

[52] **U.S. Cl.** **D6/406.4; D6/406.5; D6/406.6**

[58] **Field of Search** D6/406.1, 406.2,
D6/406.3, 406.4, 406.5, 406.6, 419, 420;
D19/90, 91, 92, 52; 248/453, 452, 491.1;
206/561; 108/5, 42

[56] **References Cited**

U.S. PATENT DOCUMENTS

D. 218,980	10/1970	Balkus	D6/406.4
D. 284,875	7/1986	Howard	D19/52
D. 312,928	12/1990	Scheffers	D6/420
D. 341,958	12/1993	Allred	D6/406.4
D. 343,417	1/1994	Tarozzi	D19/52 X
D. 358,611	5/1995	Dainoff et al.	D19/91 X
D. 391,607	3/1998	Russo	D19/91 X
3,952,989	4/1976	Bannister et al.	248/453
4,844,264	7/1989	Deskiewicz, Jr.	206/561
5,720,591	2/1998	Ledet	108/5

Primary Examiner—M. N. Pandozzi

Attorney, Agent, or Firm—Drummond & Duckworth

[57] **CLAIM**

The ornamental design for a book support apparatus, as shown and described.

DESCRIPTION

FIG. 1 is a perspective view of the book support apparatus, showing my new design;

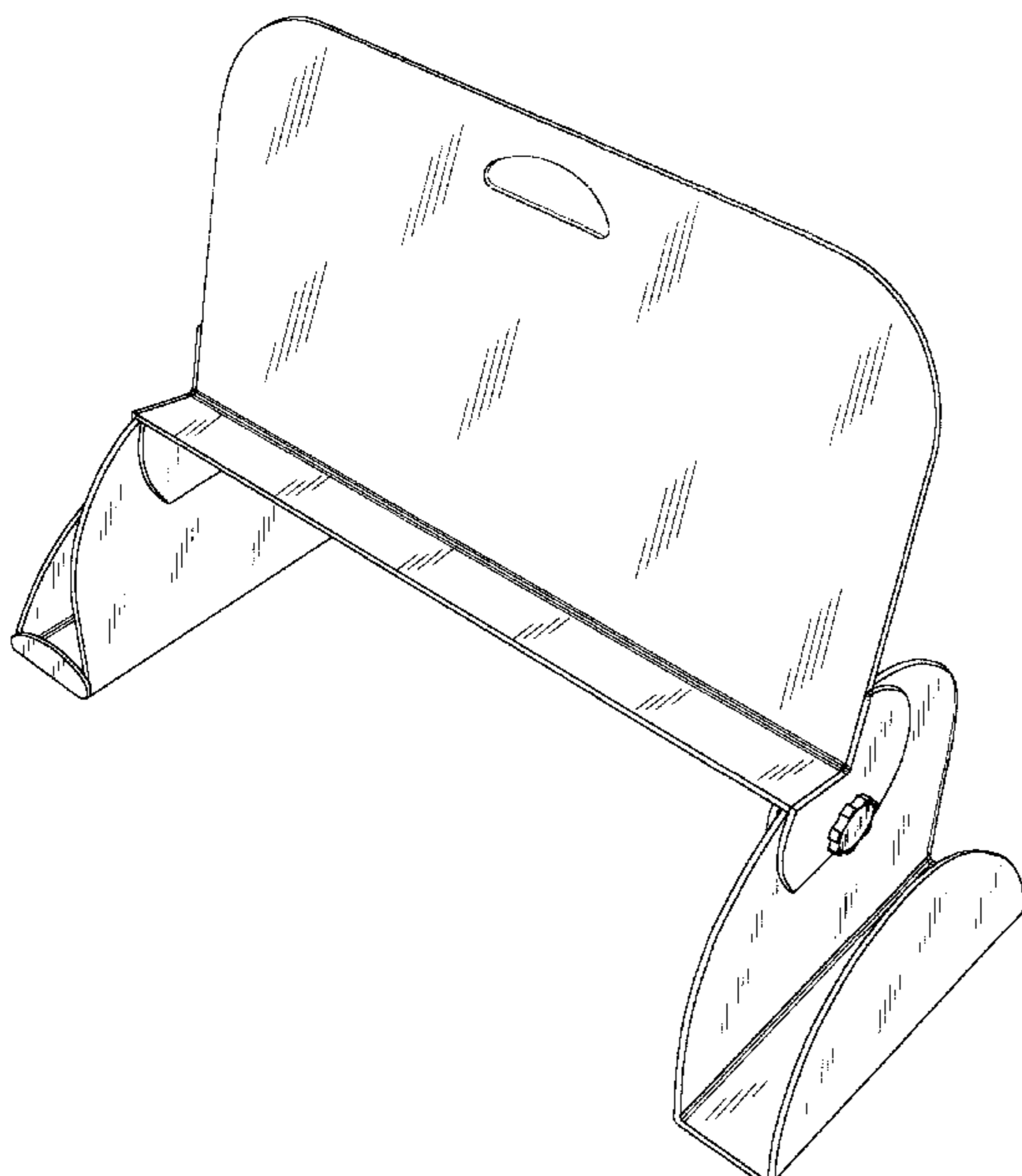
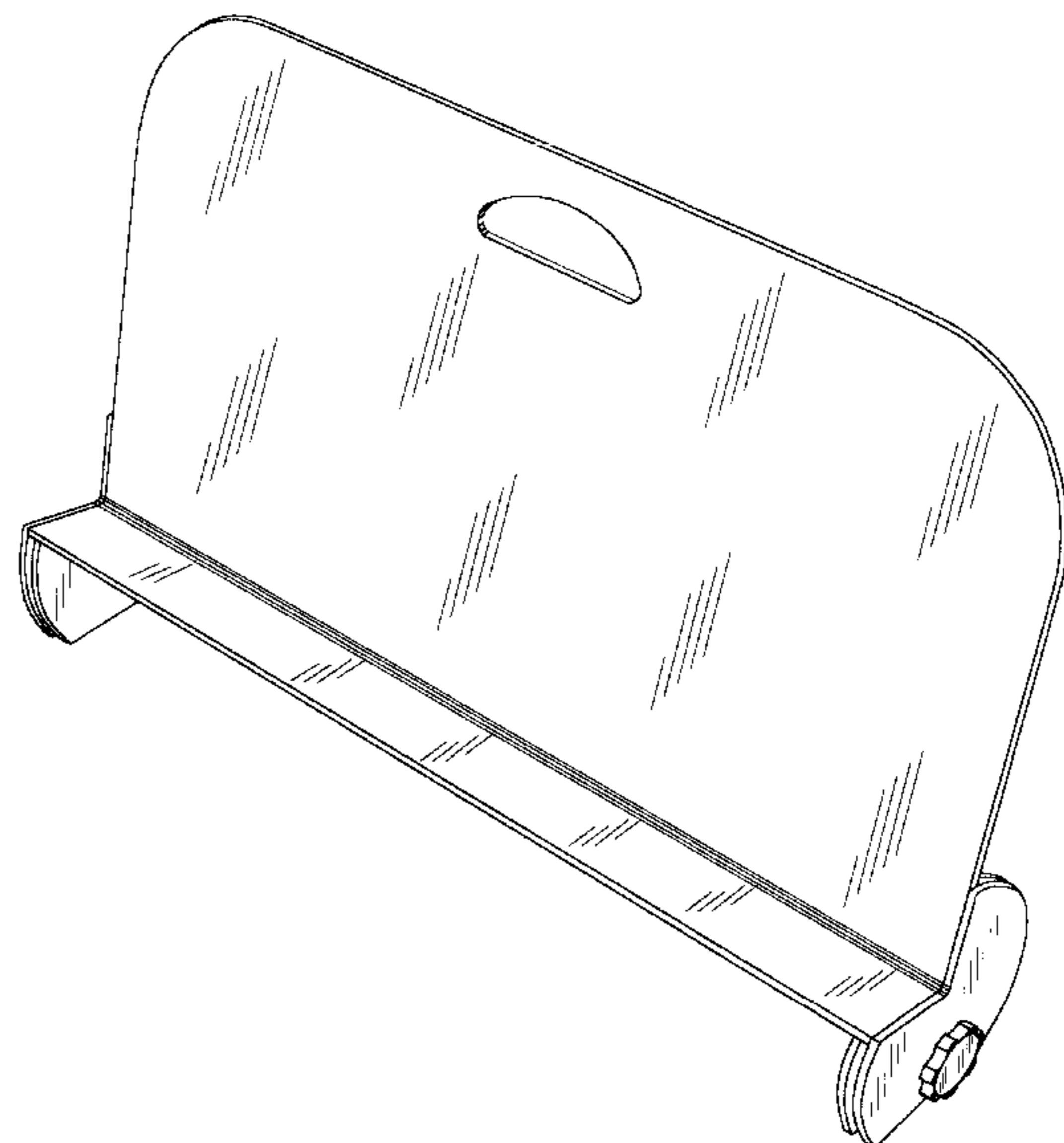


FIG. 2 is a left elevation view thereof;
 FIG. 3 is a right elevation view thereof;
 FIG. 4 is a front elevation view thereof;
 FIG. 5 is a rear elevation view thereof;
 FIG. 6 is a top plan view thereof;
 FIG. 7 is a bottom plan view thereof;
 FIG. 8 is a perspective view of a second embodiment of the book support apparatus, showing my new design;
 FIG. 9 is a left elevation view thereof;
 FIG. 10 is a right elevation view thereof;
 FIG. 11 is a front elevation view thereof;
 FIG. 12 is a rear elevation view thereof;
 FIG. 13 is a top plan view thereof;
 FIG. 14 is a bottom plan view thereof;
 FIG. 15 is a perspective view of a third embodiment of the book support apparatus, showing my new design;
 FIG. 16 is a left elevation view thereof;
 FIG. 17 is a right elevation view thereof;
 FIG. 18 is a front elevation view thereof;
 FIG. 19 is a rear elevation view thereof;
 FIG. 20 is a top plan view thereof;
 FIG. 21 is a bottom plan view thereof;
 FIG. 22 is a perspective view of the fourth embodiment of the book support apparatus, showing my new design;
 FIG. 23 is a left elevation view thereof;
 FIG. 24 is a right elevation view thereof;
 FIG. 25 is a front elevation view thereof;
 FIG. 26 is a rear elevation view thereof;
 FIG. 27 is a top plan view thereof; and,
 FIG. 28 is a bottom plan view thereof.

1 Claim, 28 Drawing Sheets



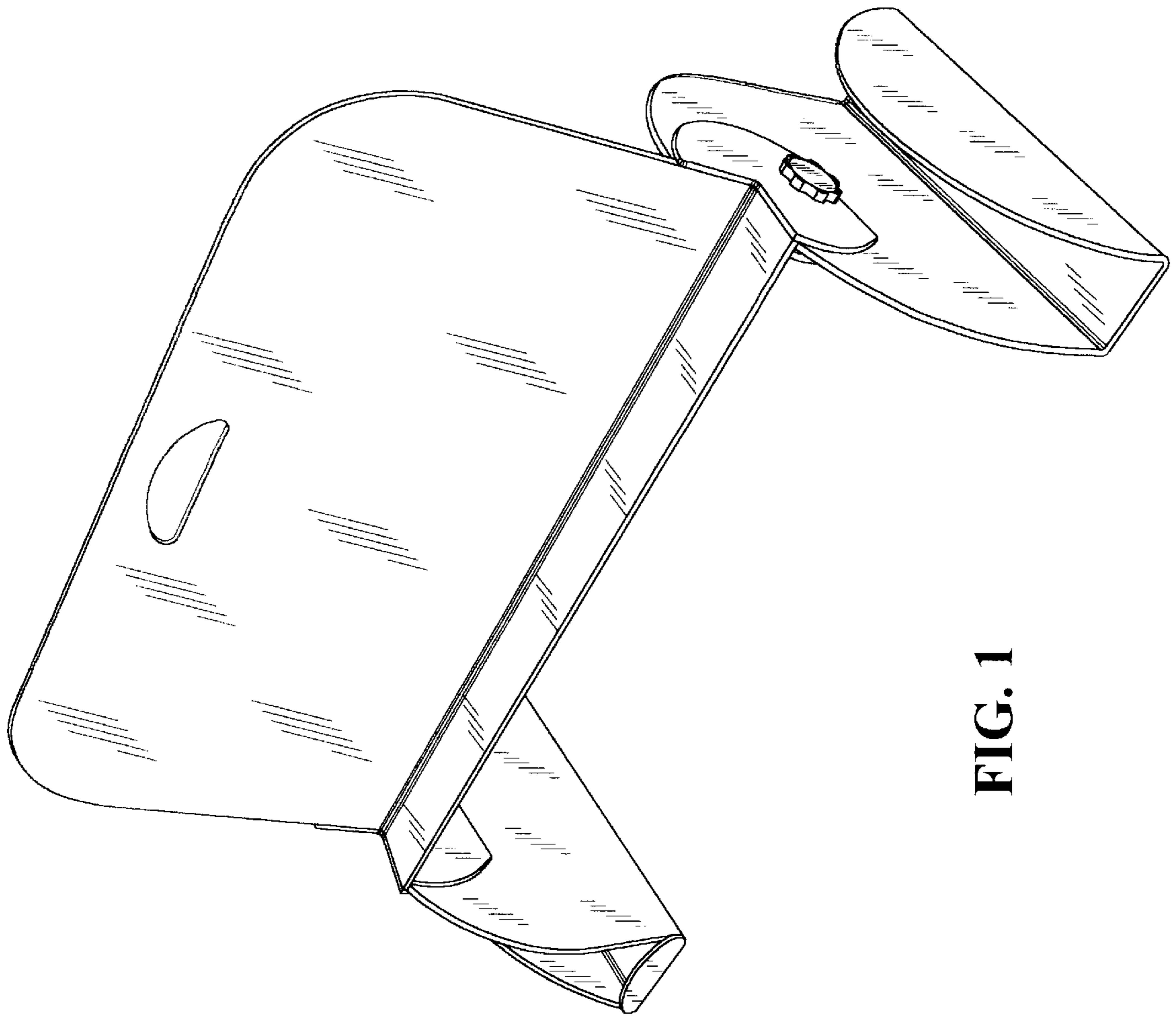


FIG. 1

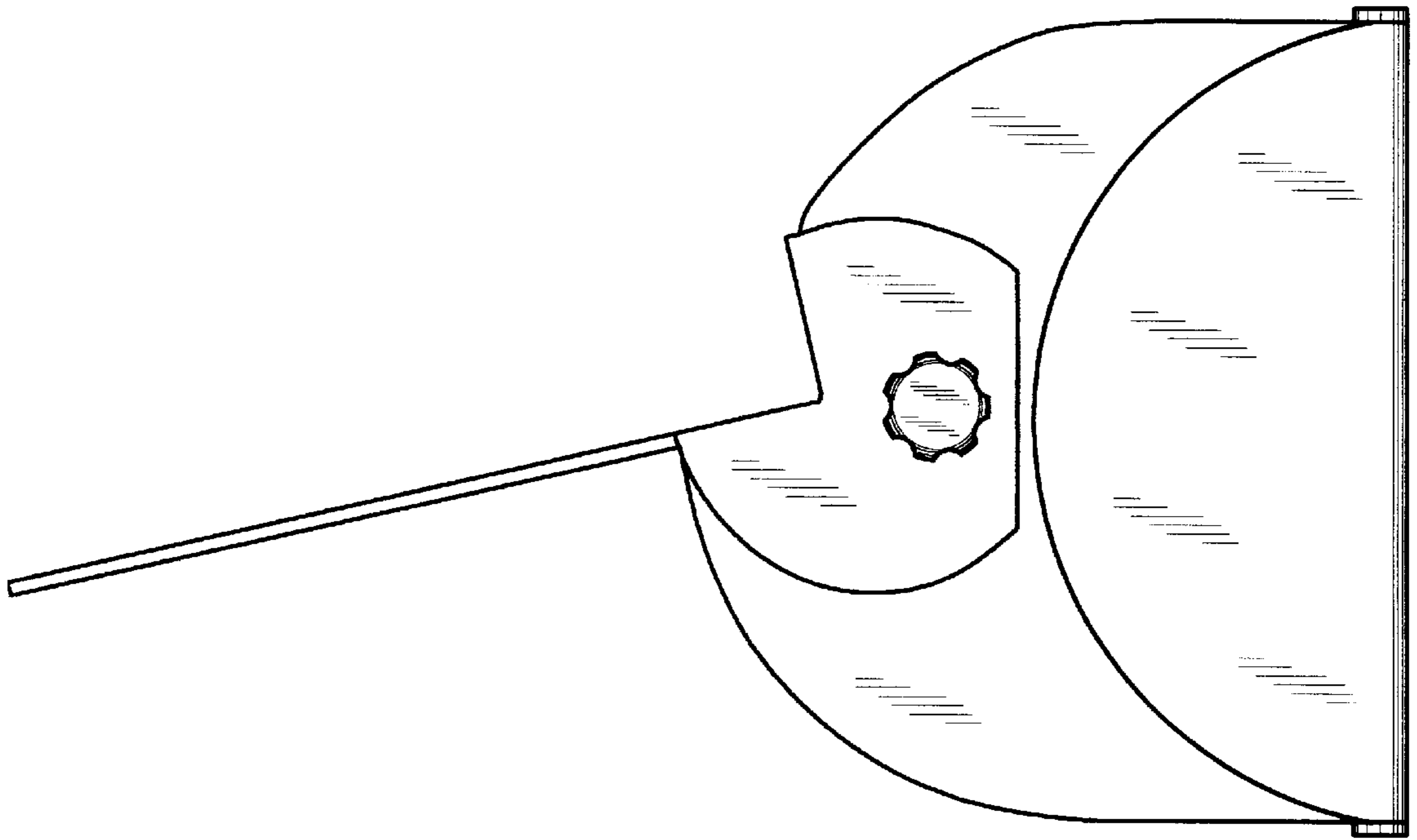


FIG. 2

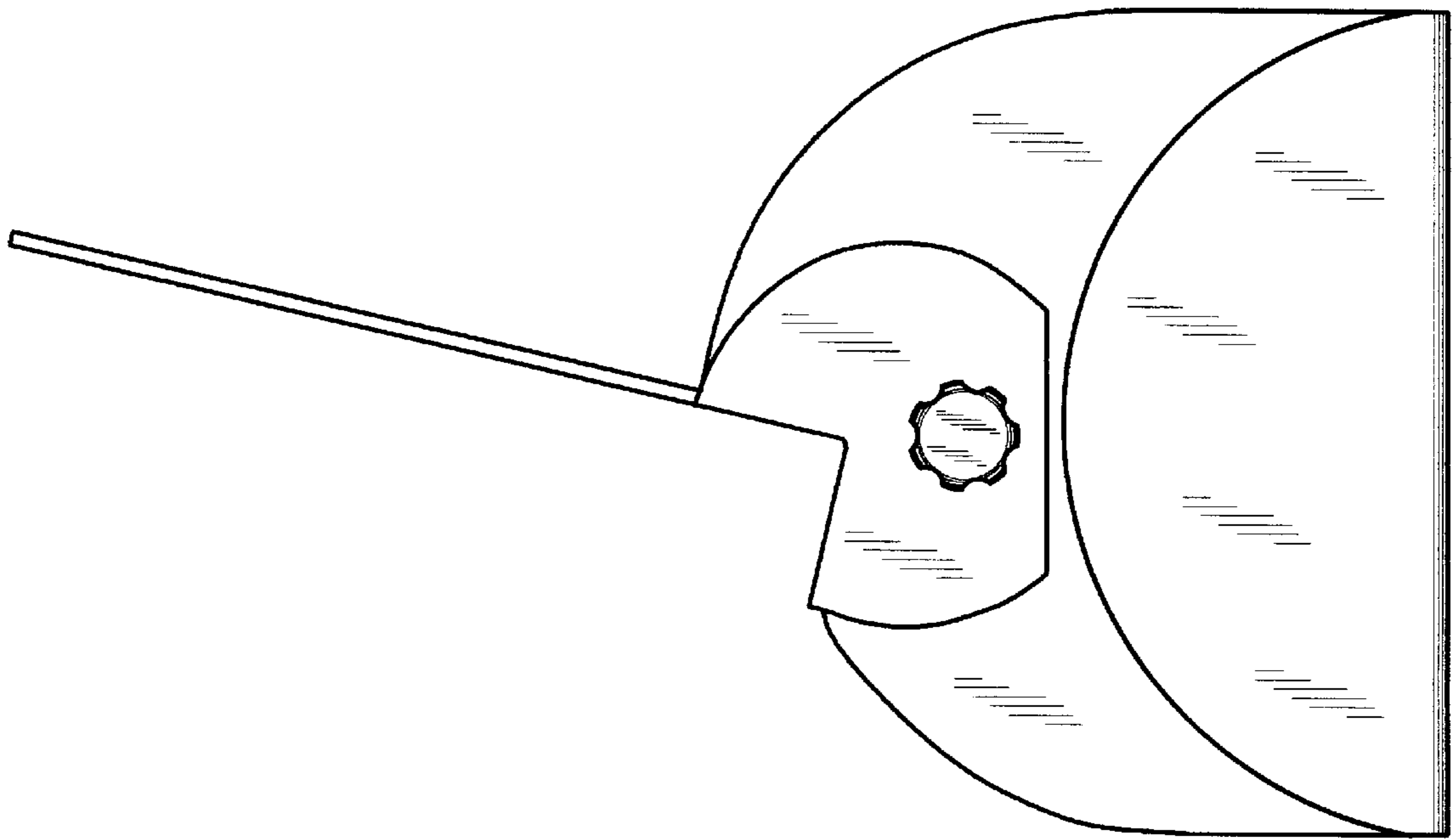


FIG. 3

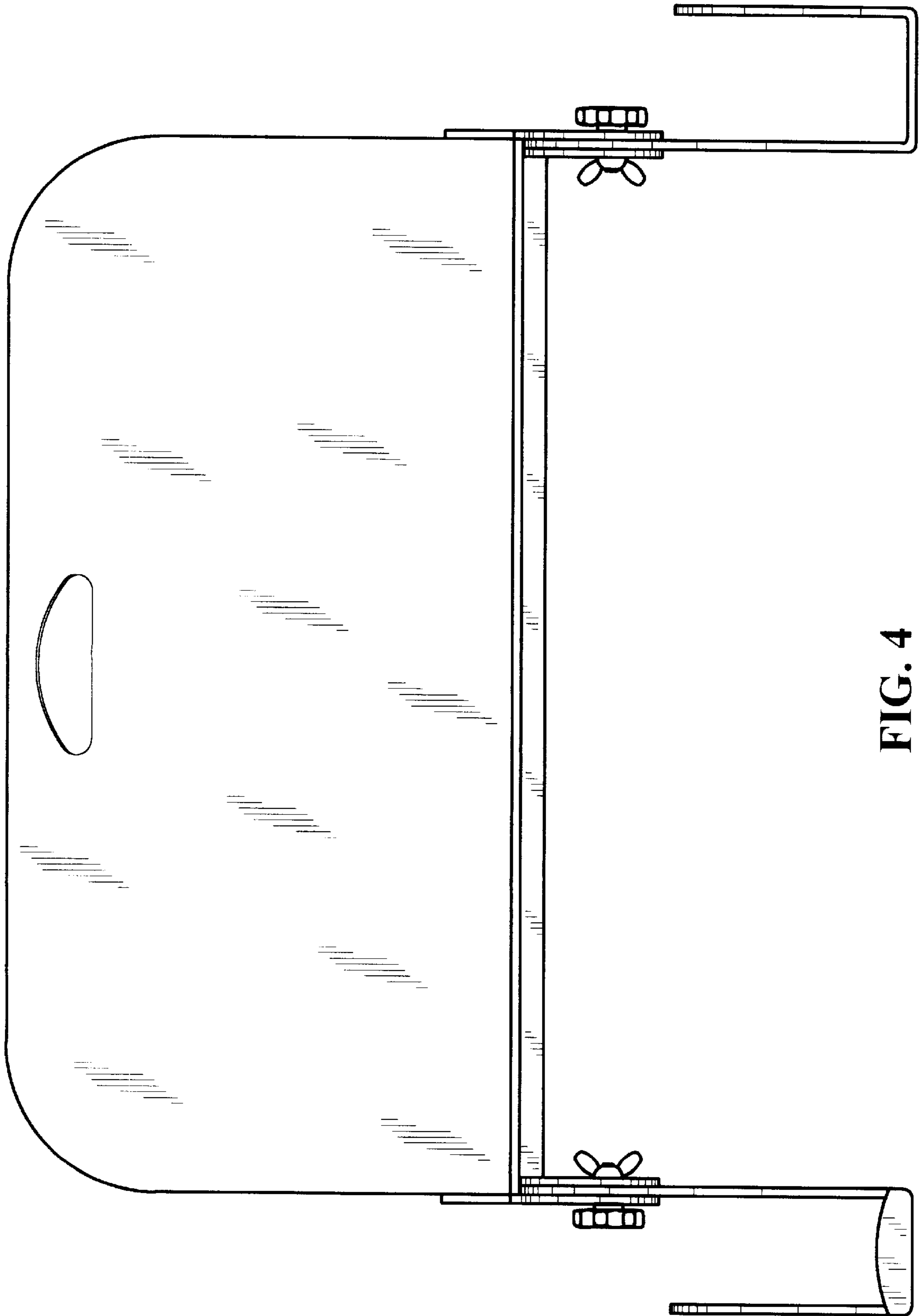


FIG. 4

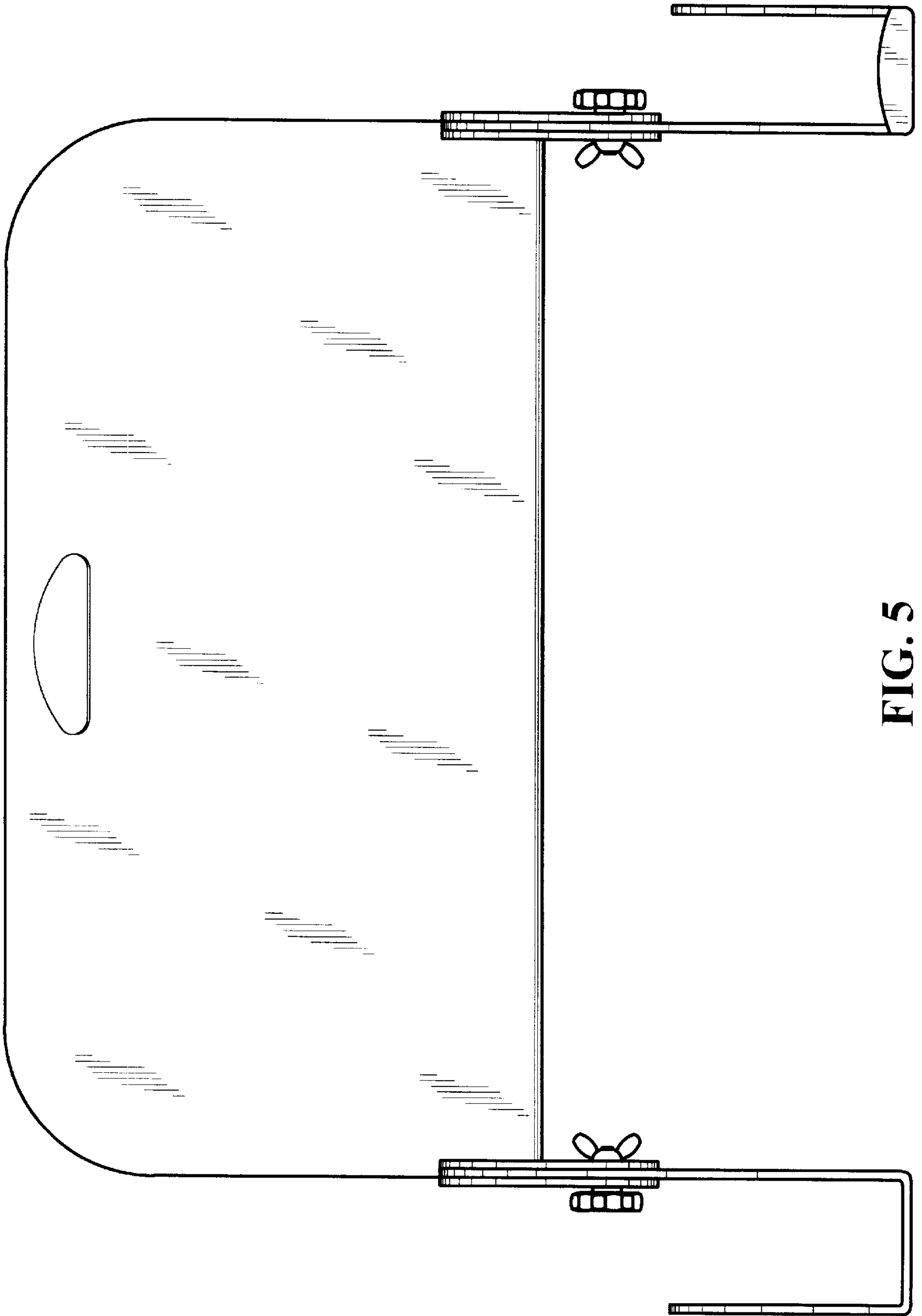


FIG. 5

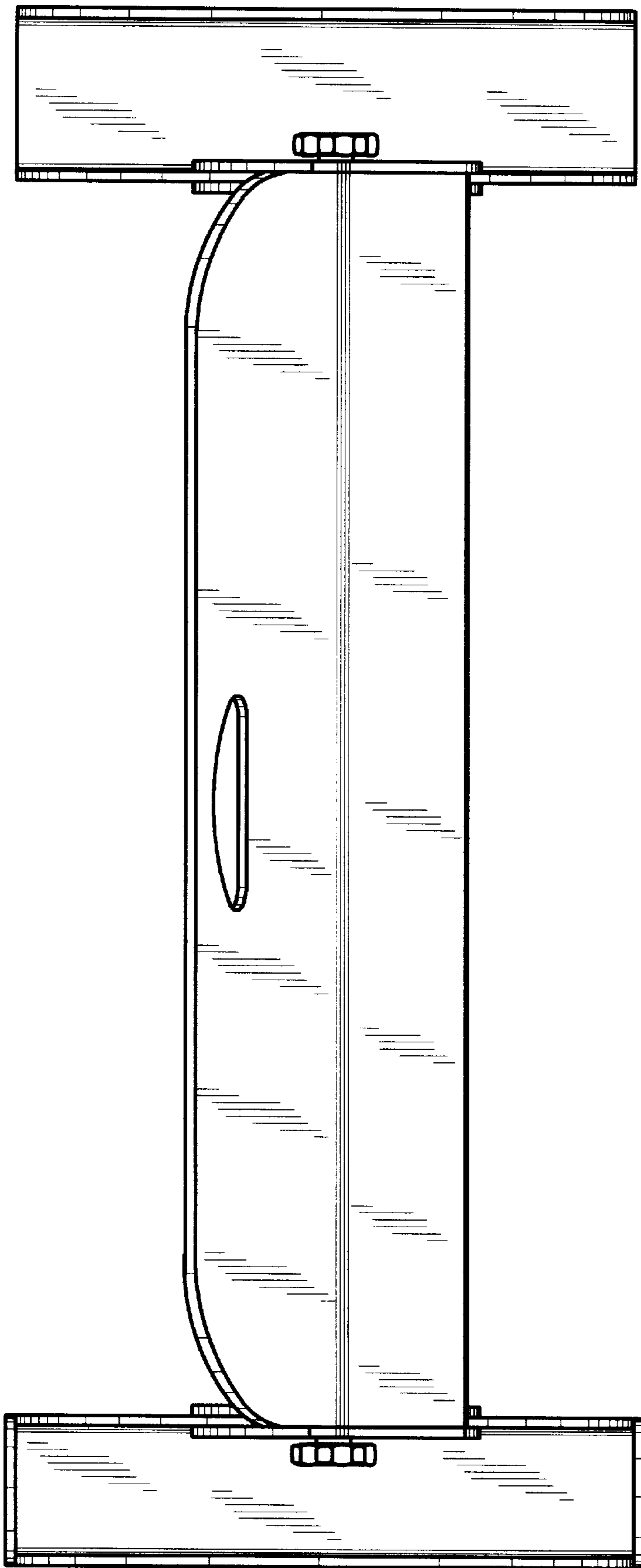


FIG. 6

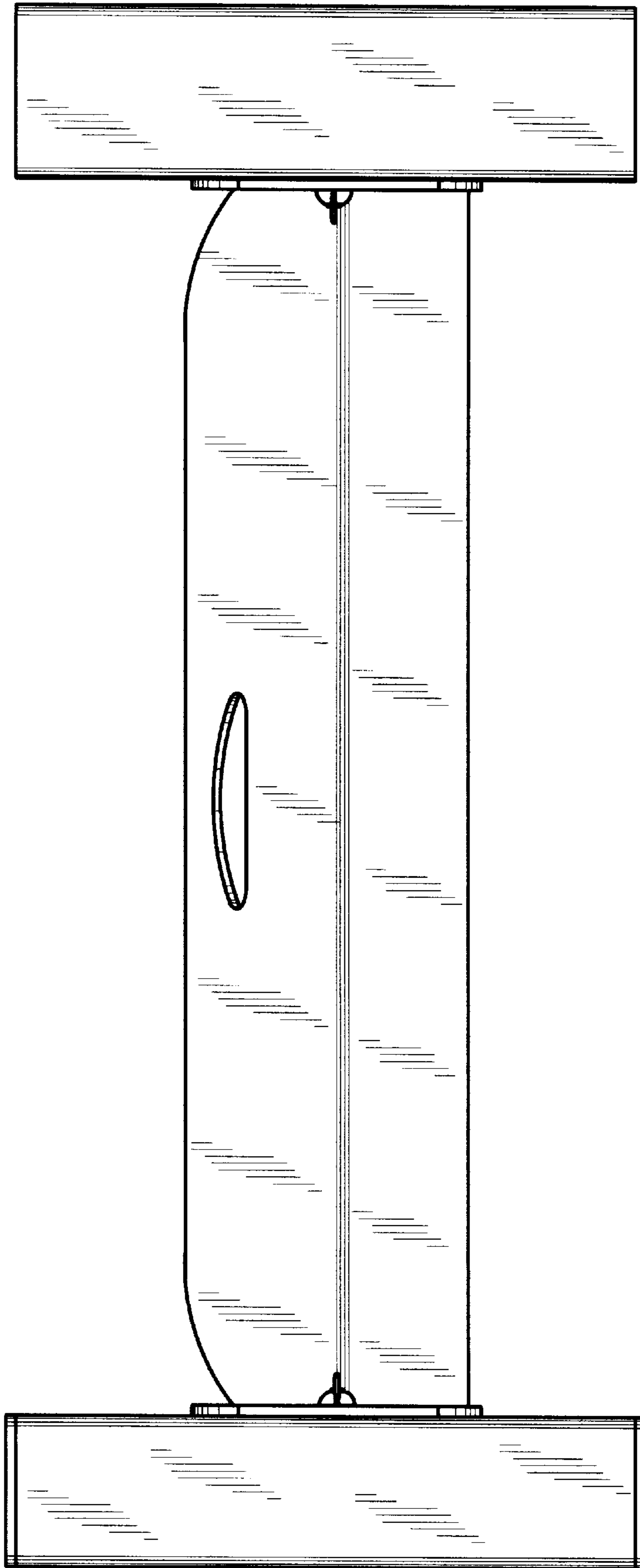


FIG. 7

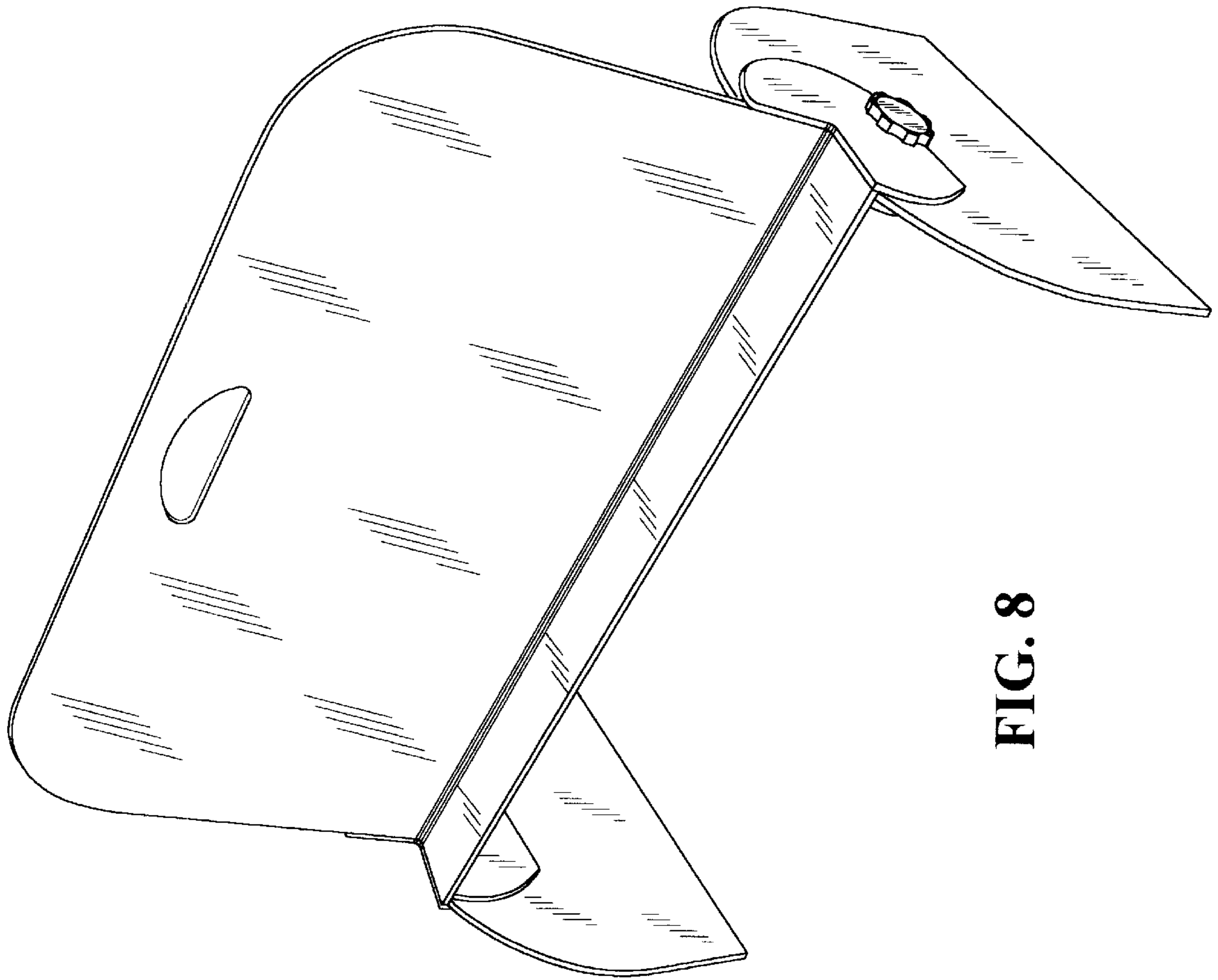


FIG. 8

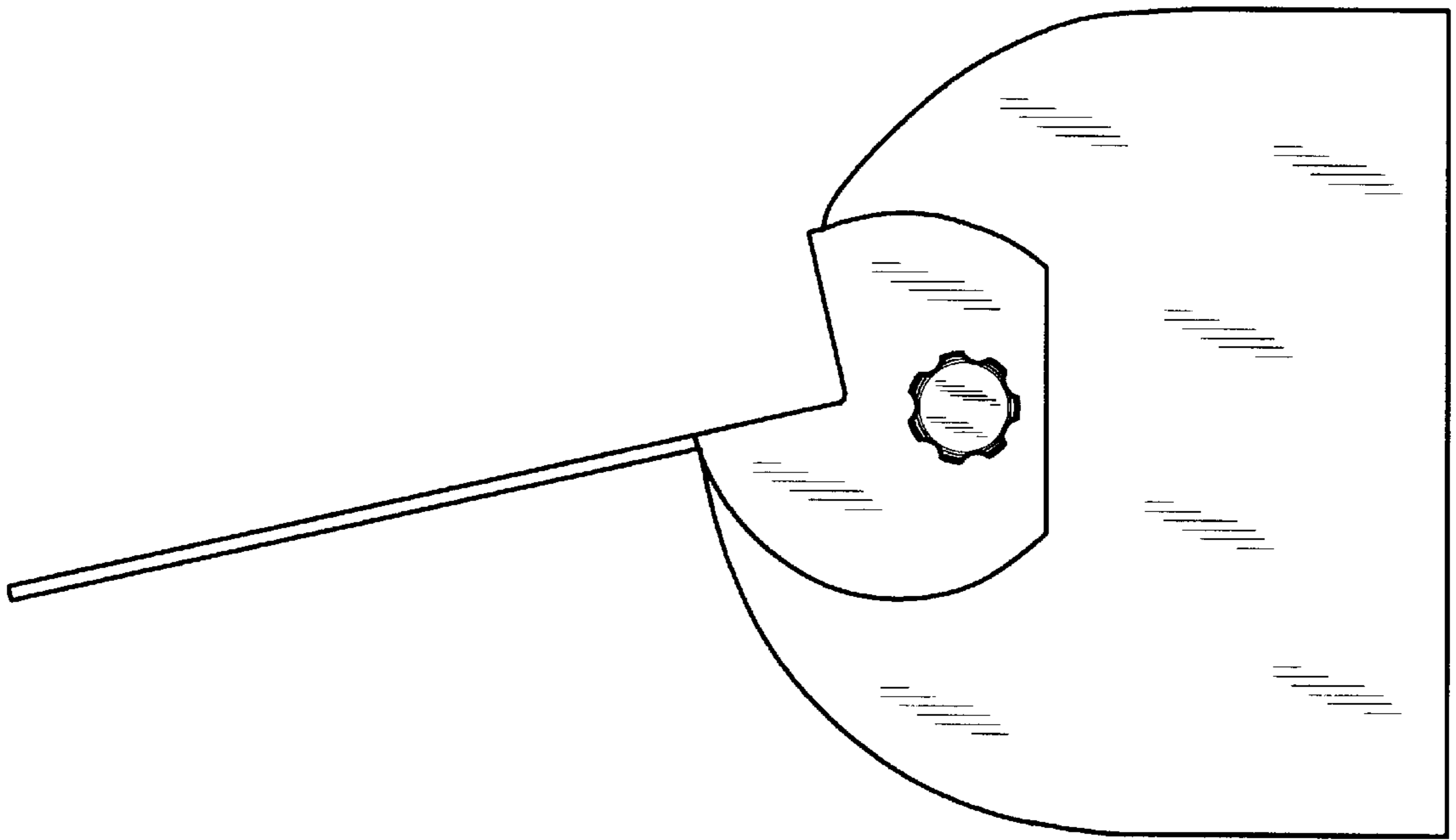


FIG. 9

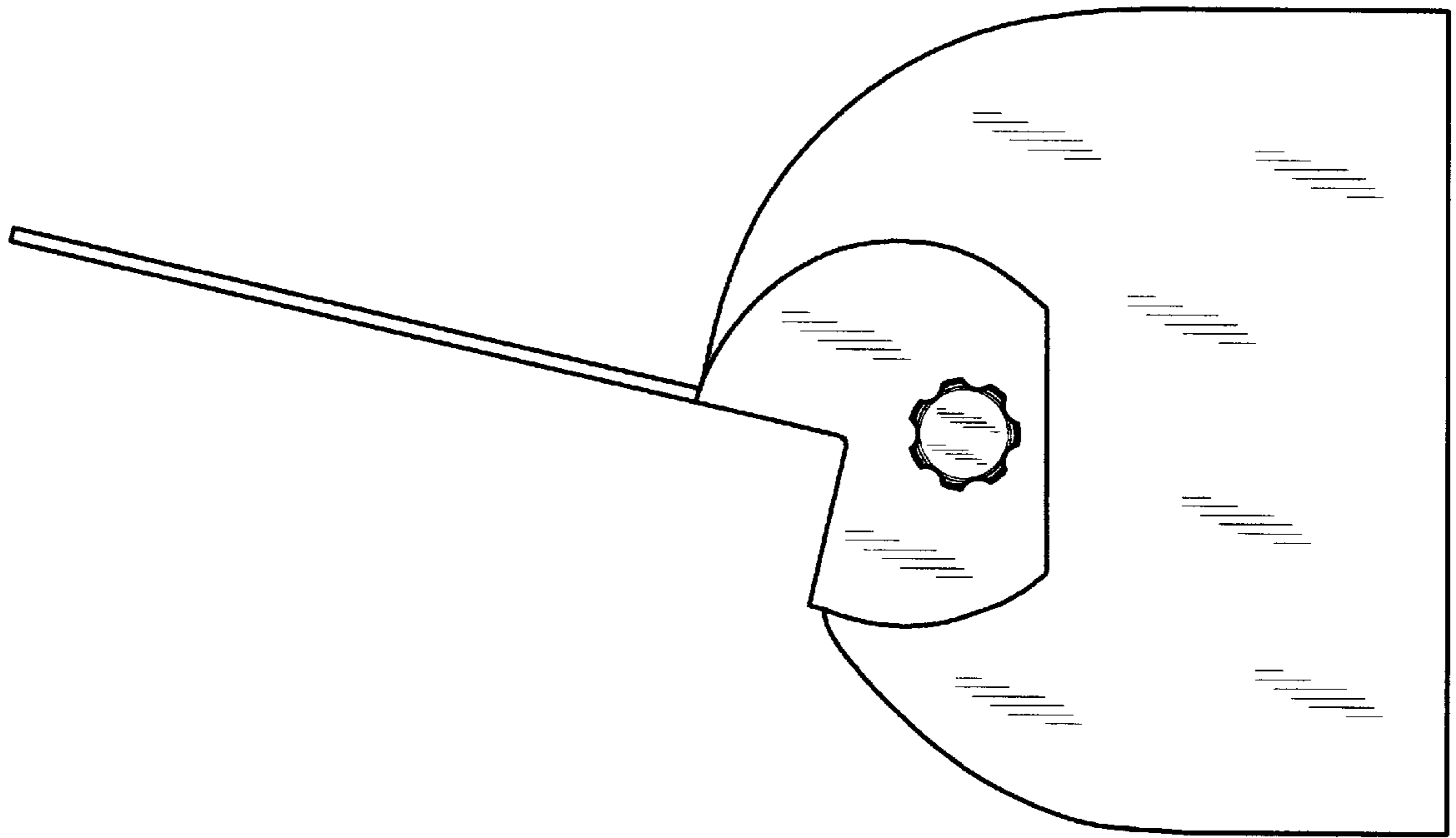


FIG. 10

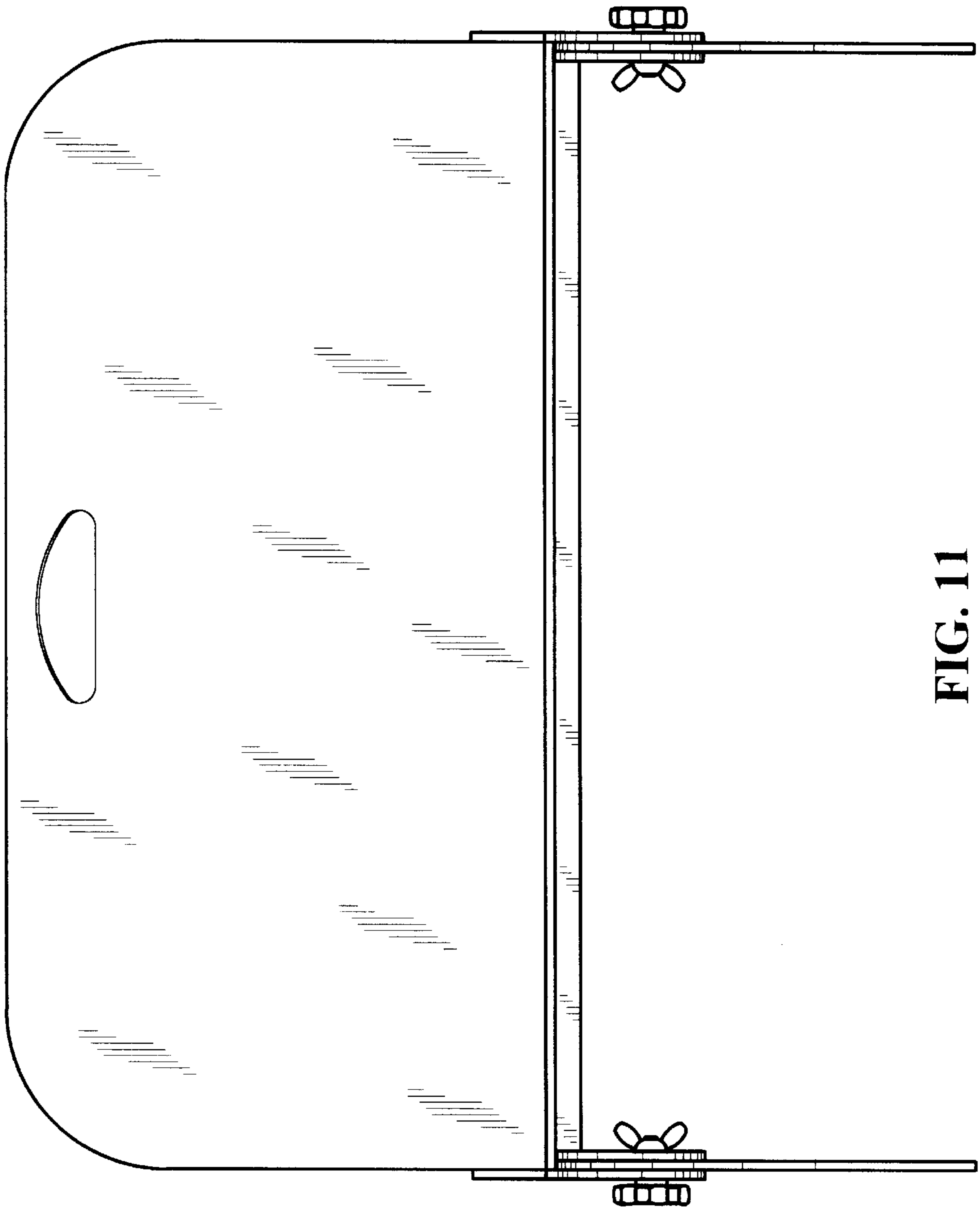


FIG. 11

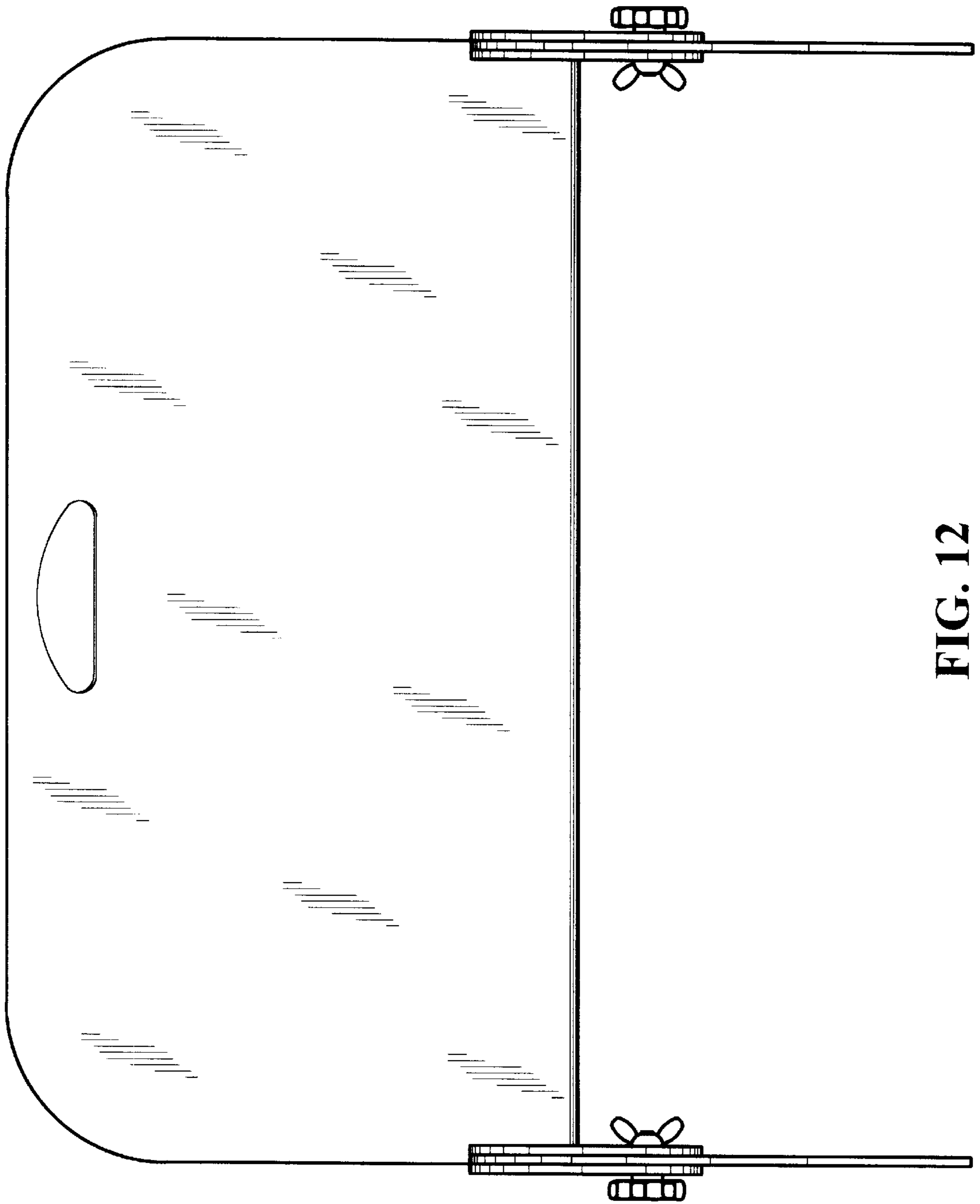


FIG. 12

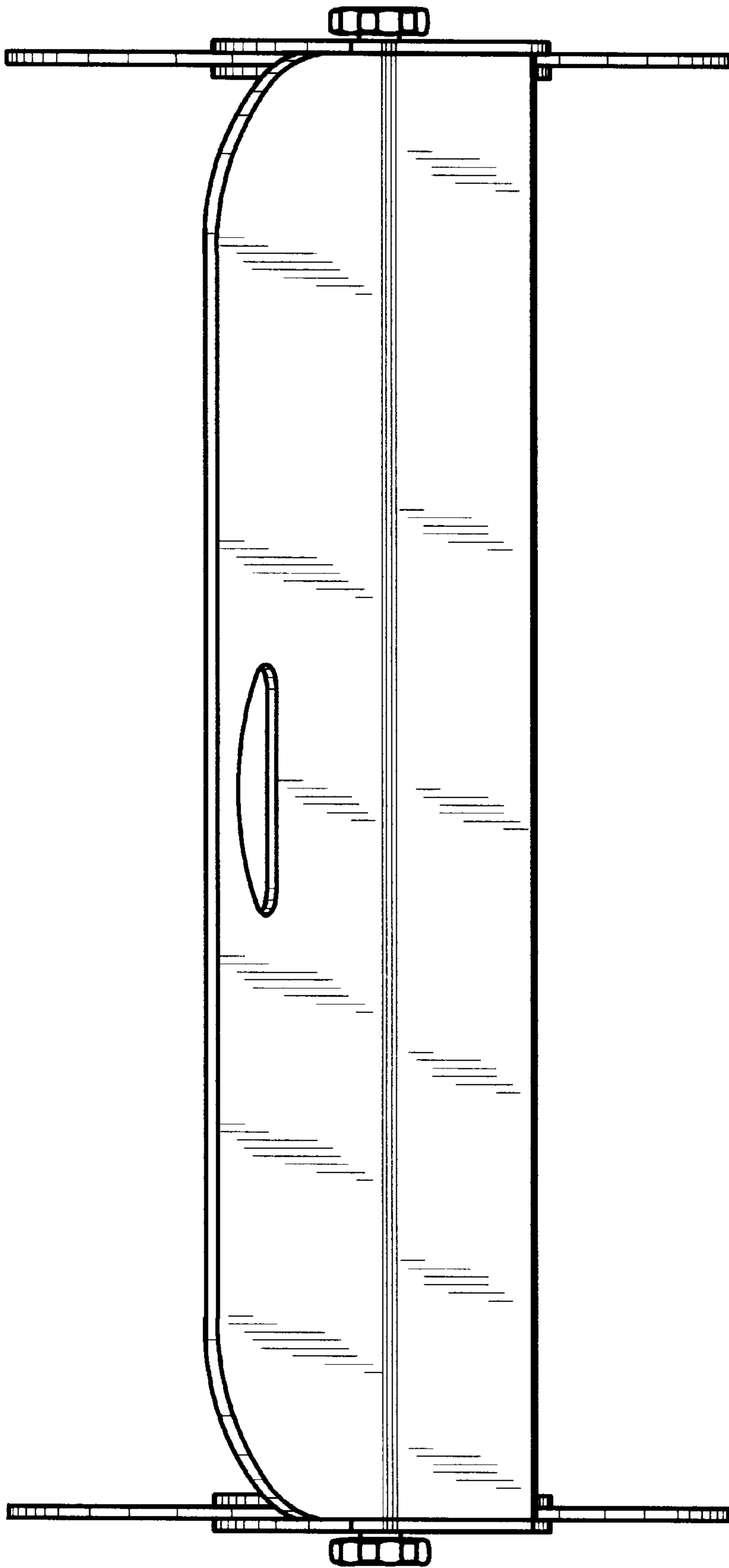


FIG. 13

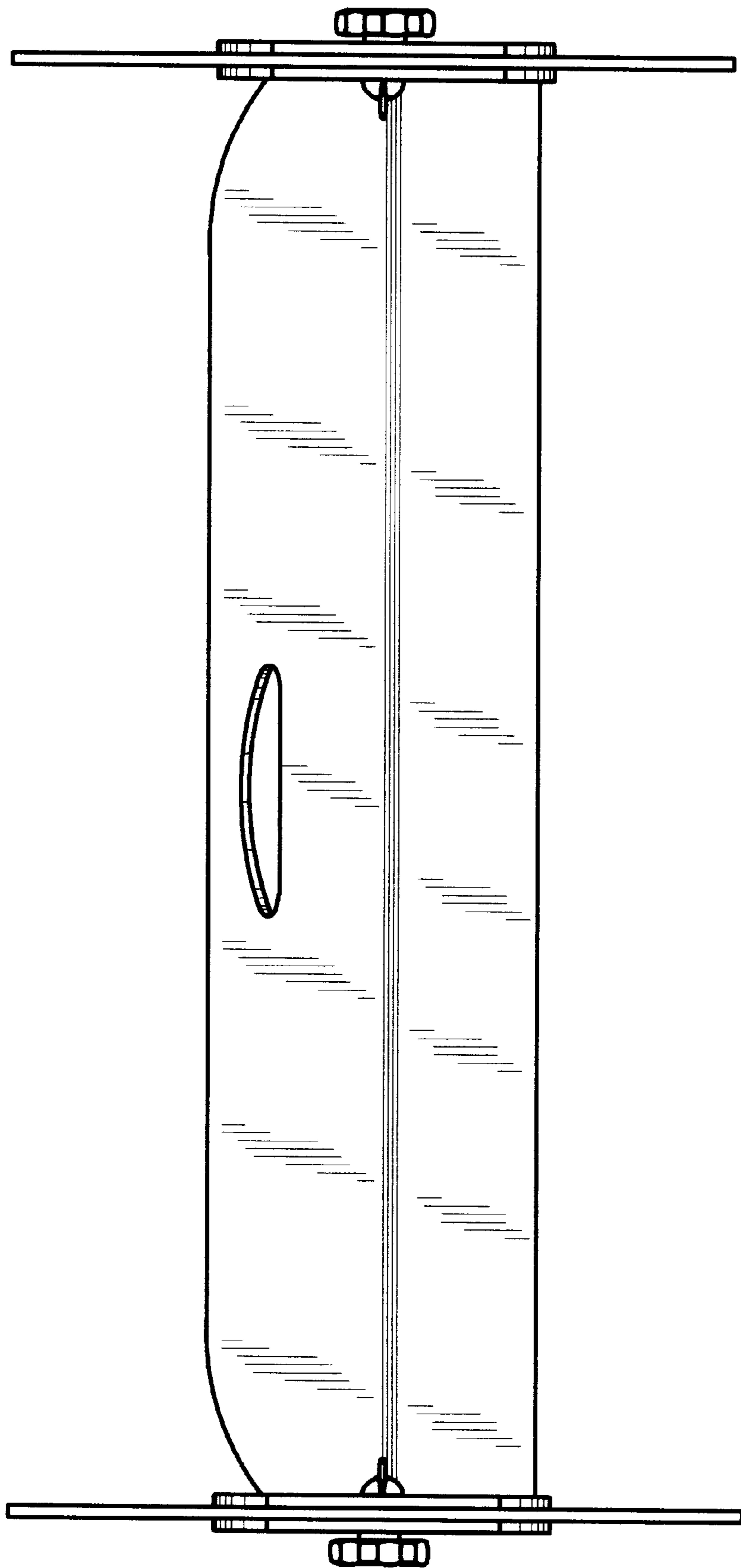


FIG. 14

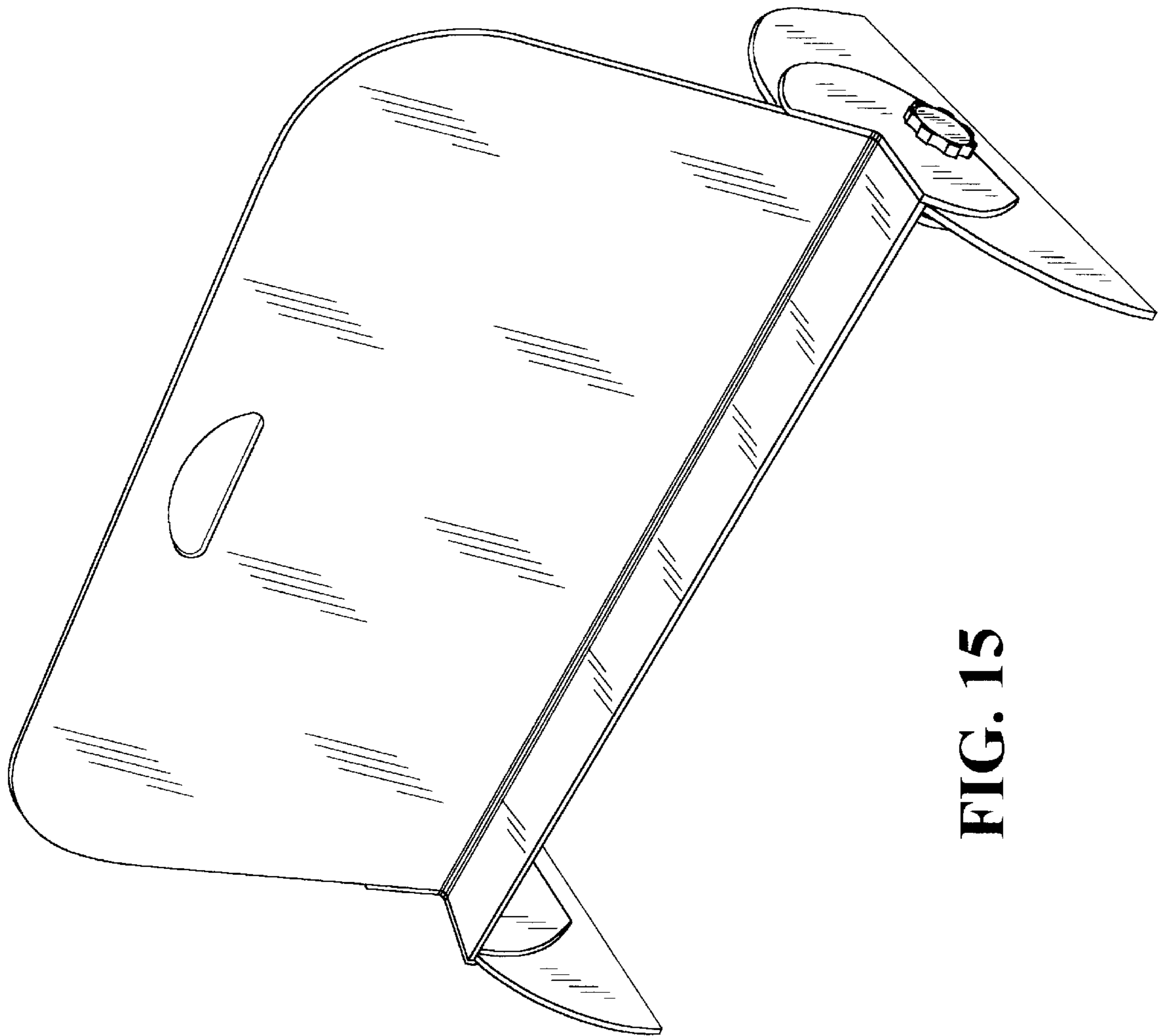


FIG. 15

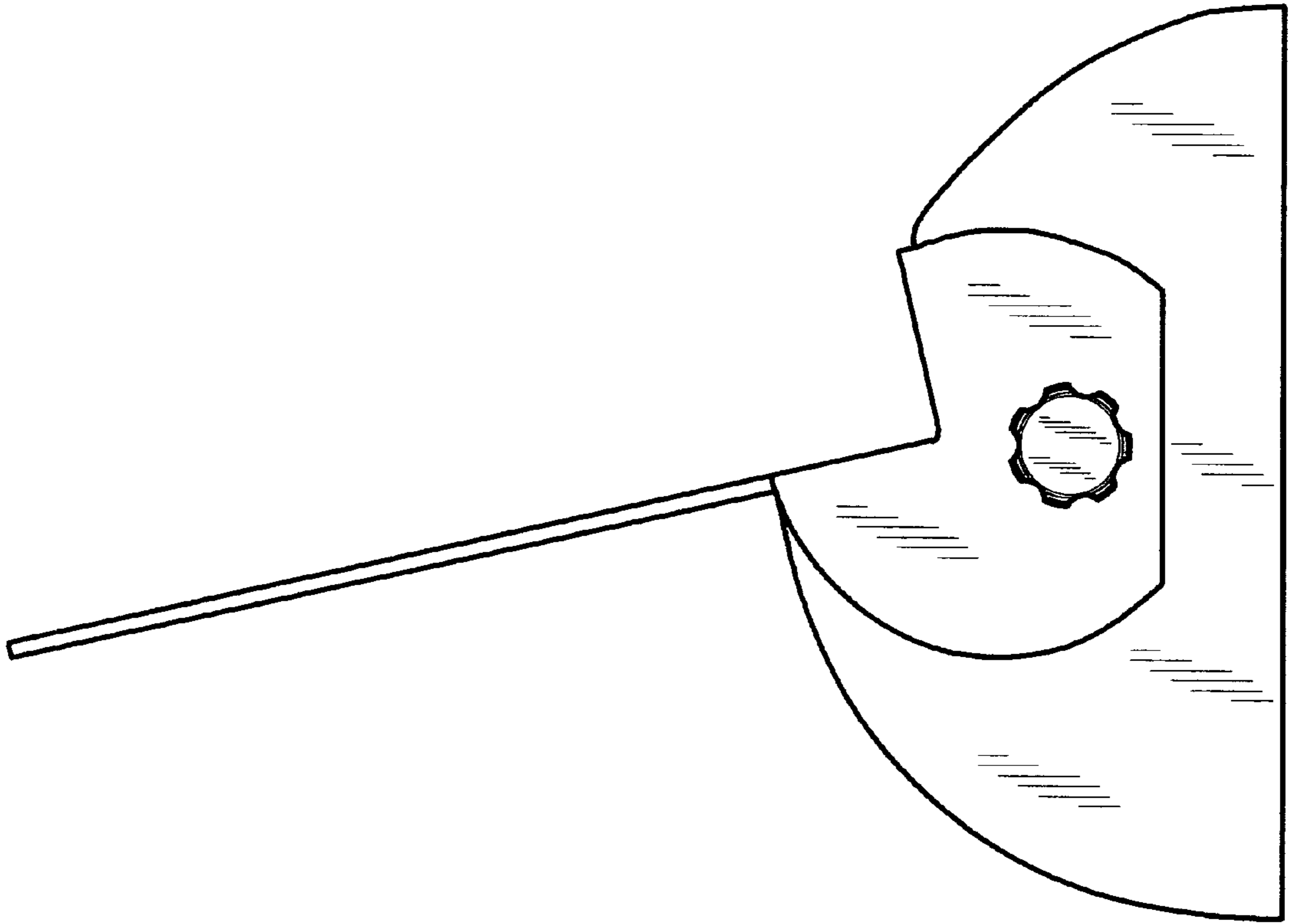


FIG. 16

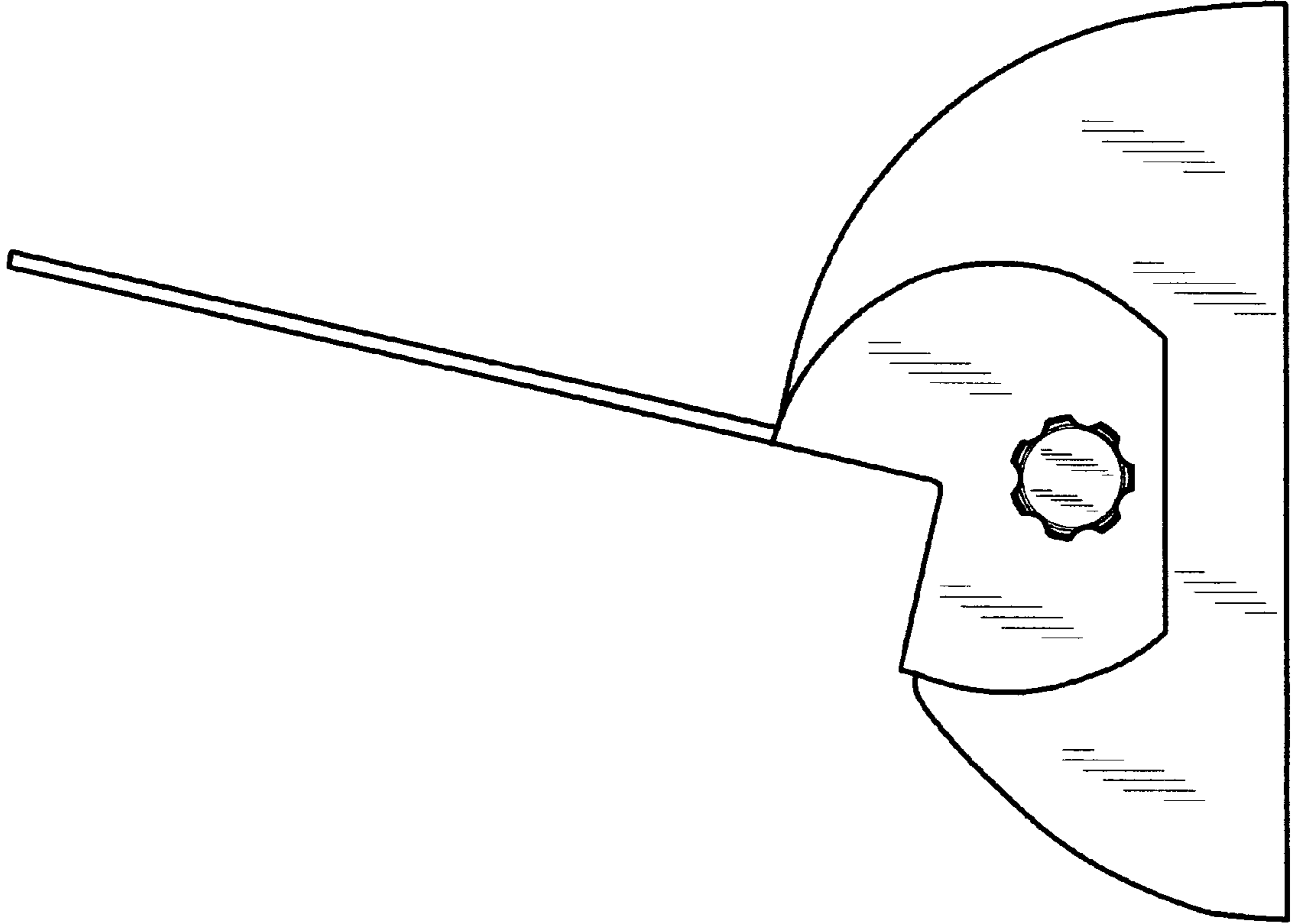


FIG. 17

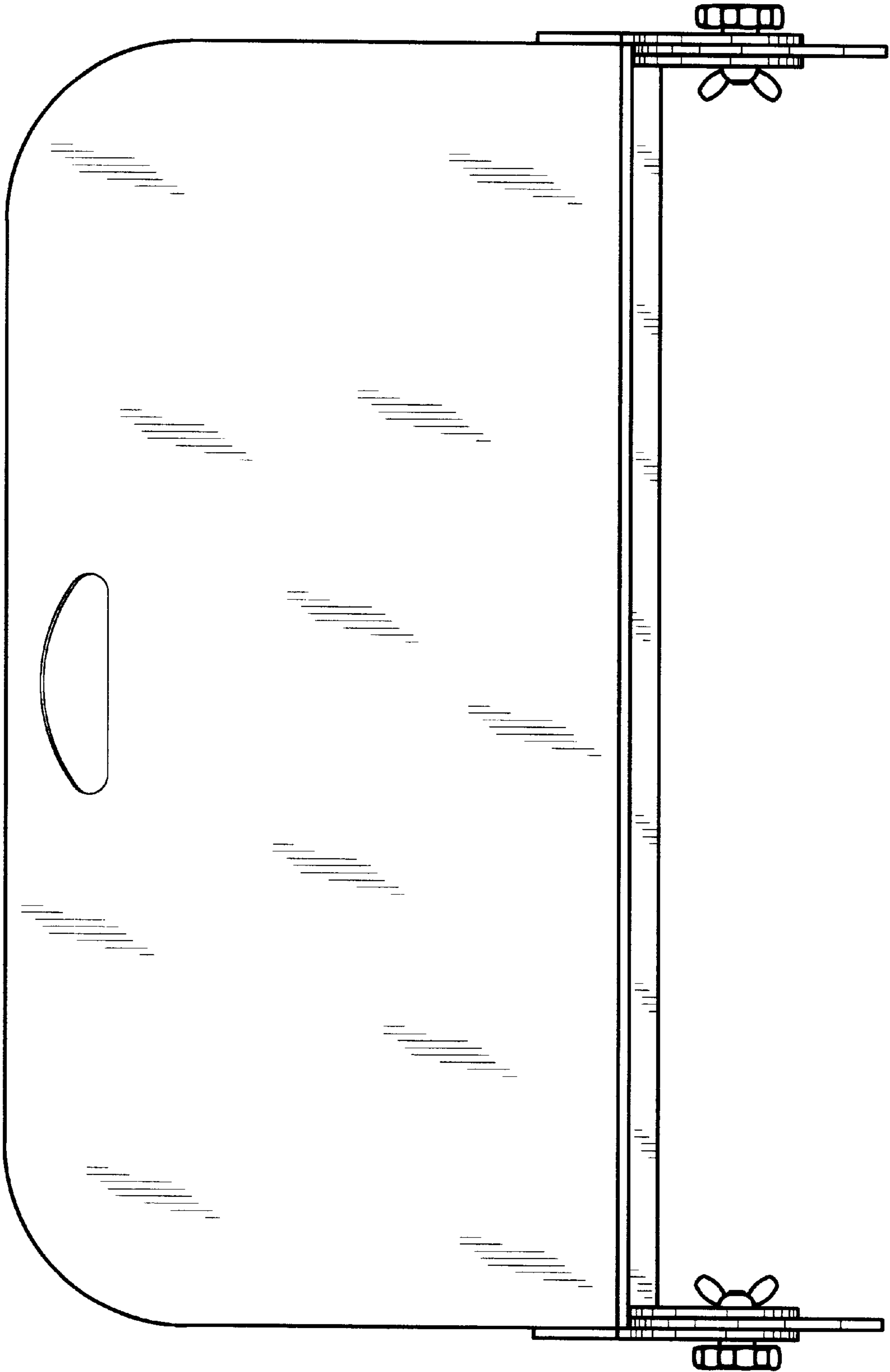


FIG. 18

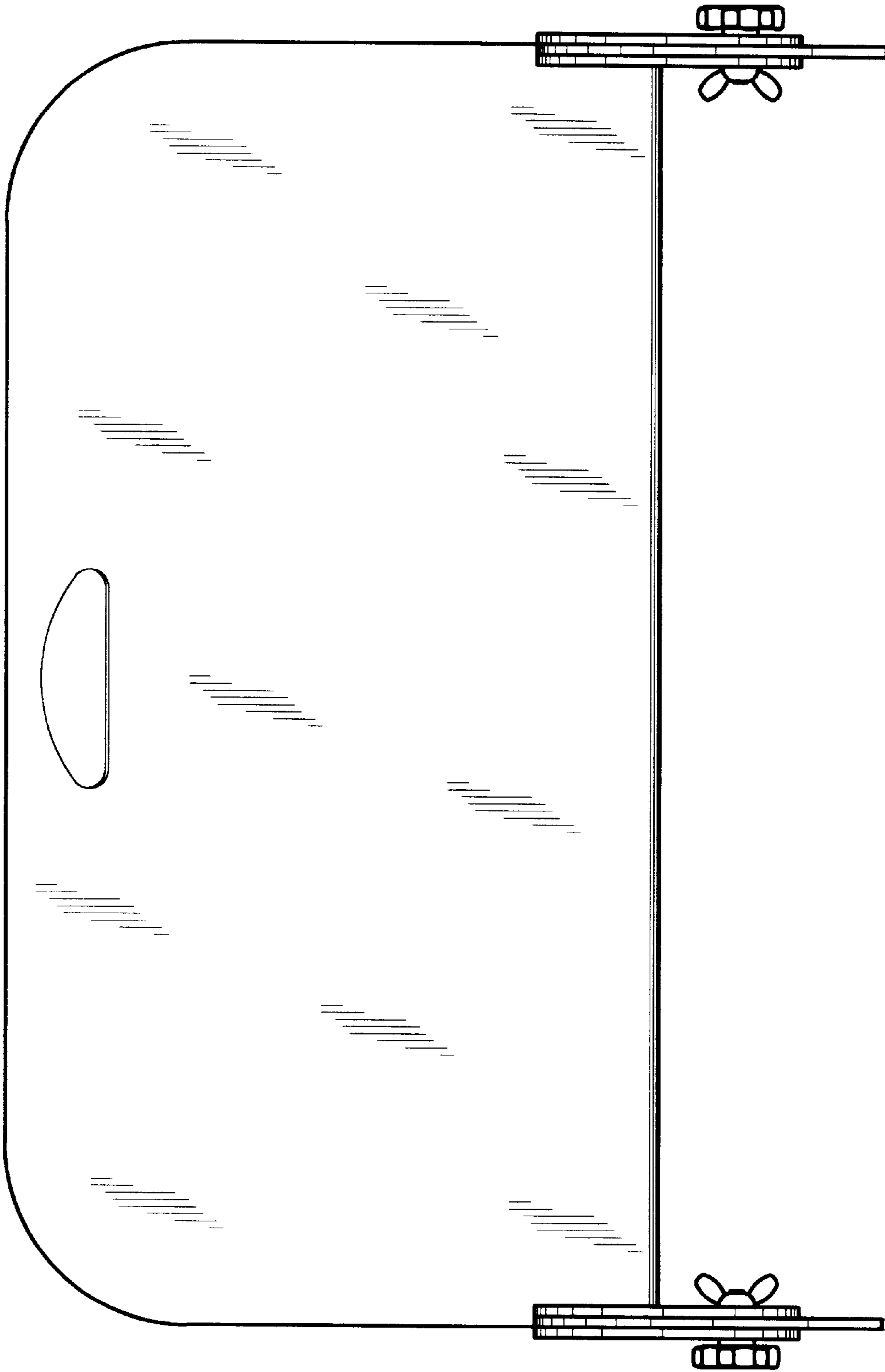


FIG. 19

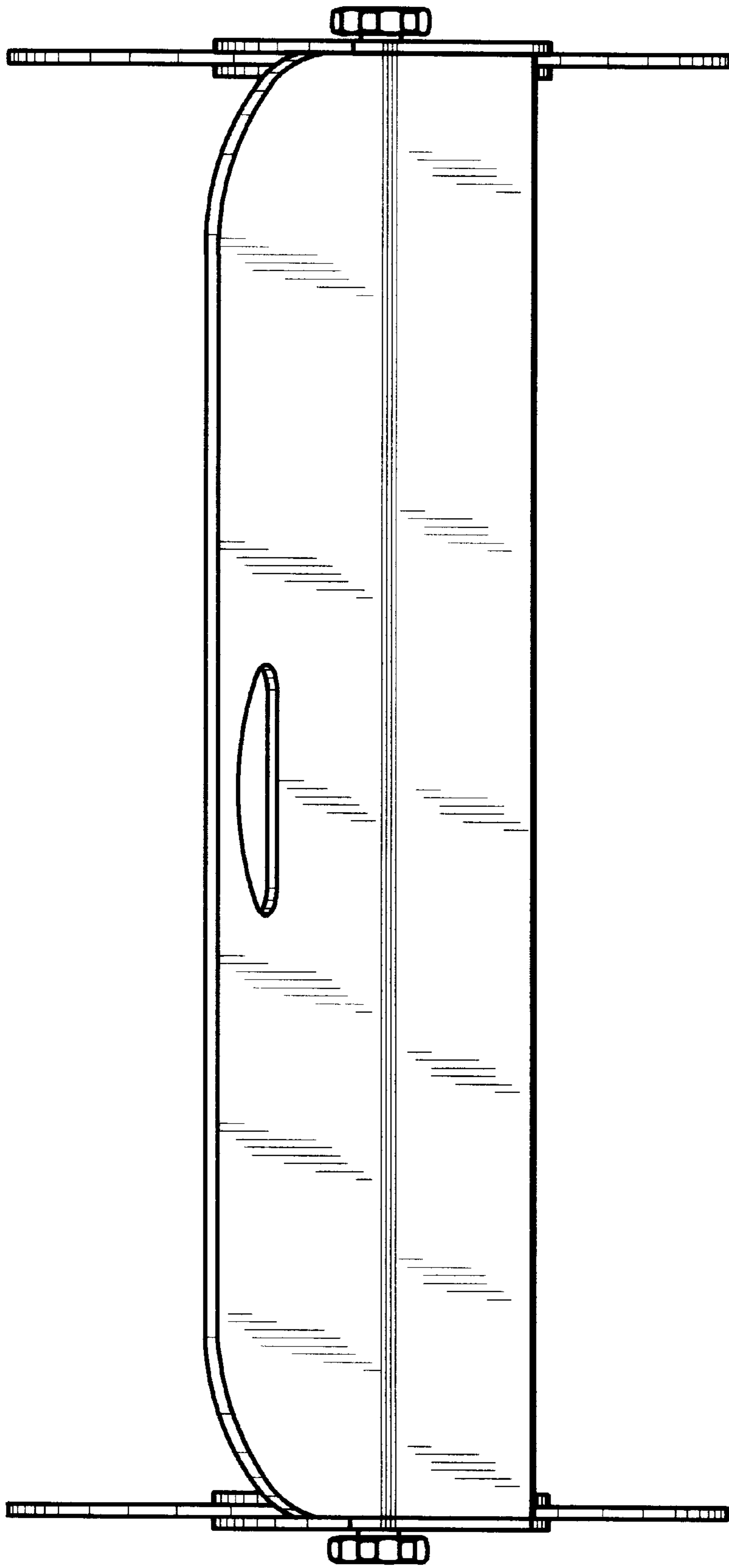


FIG. 20

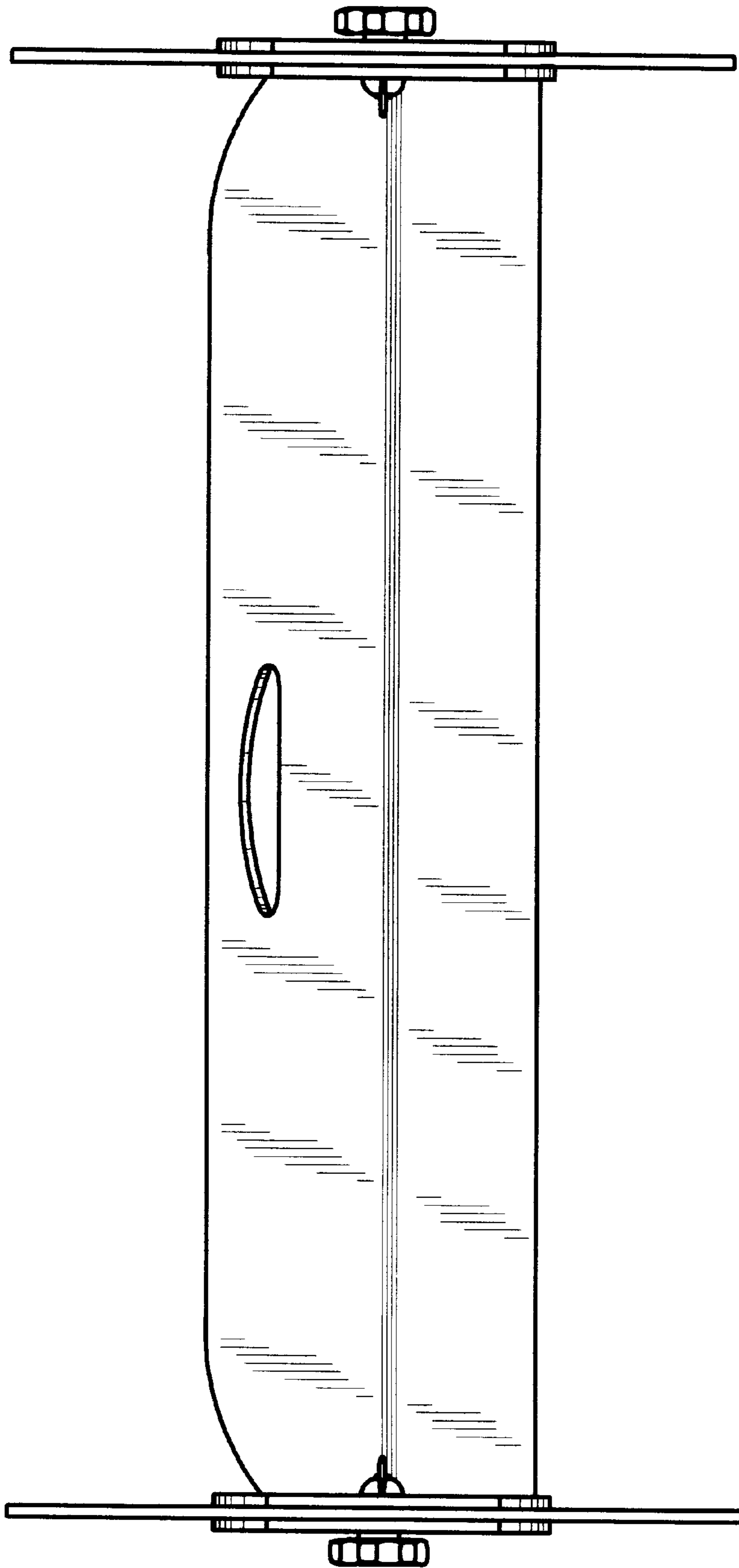


FIG. 21

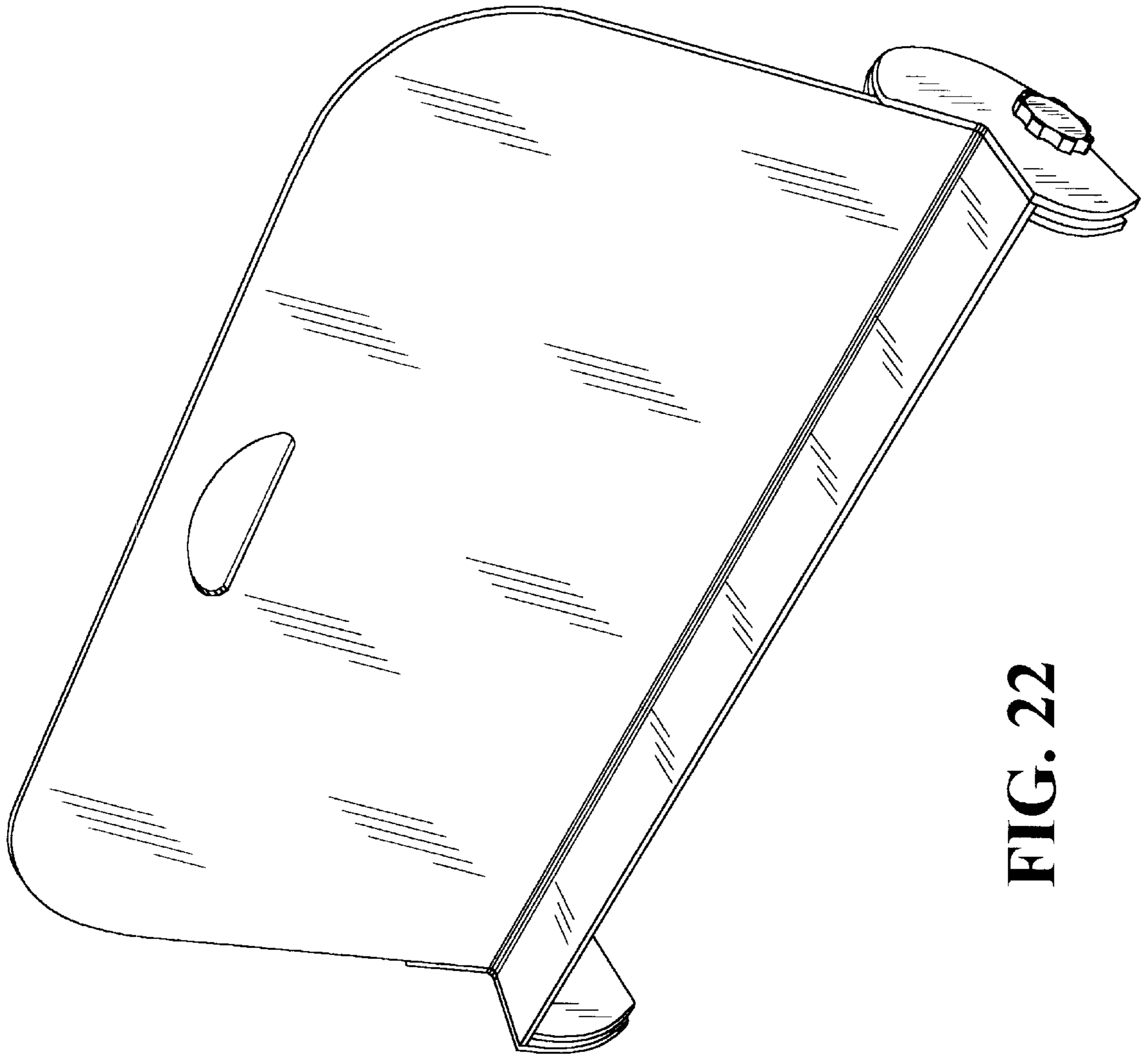


FIG. 22

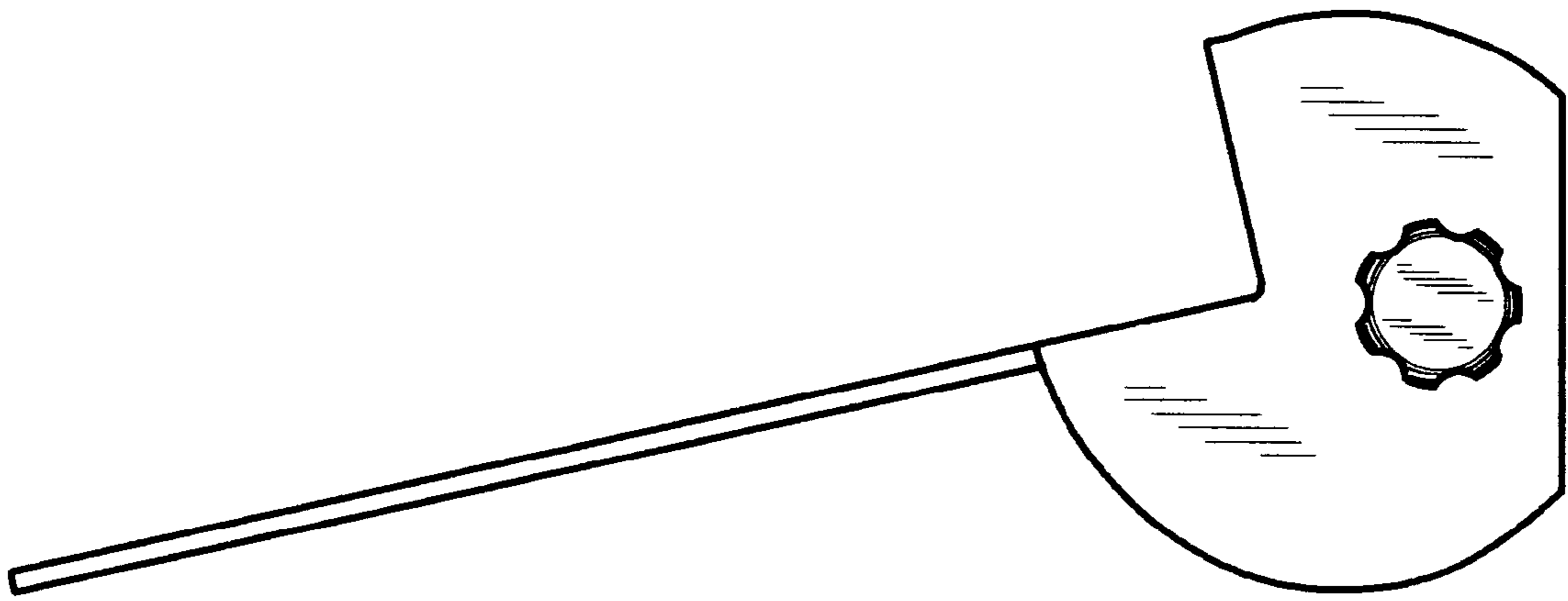


FIG. 23

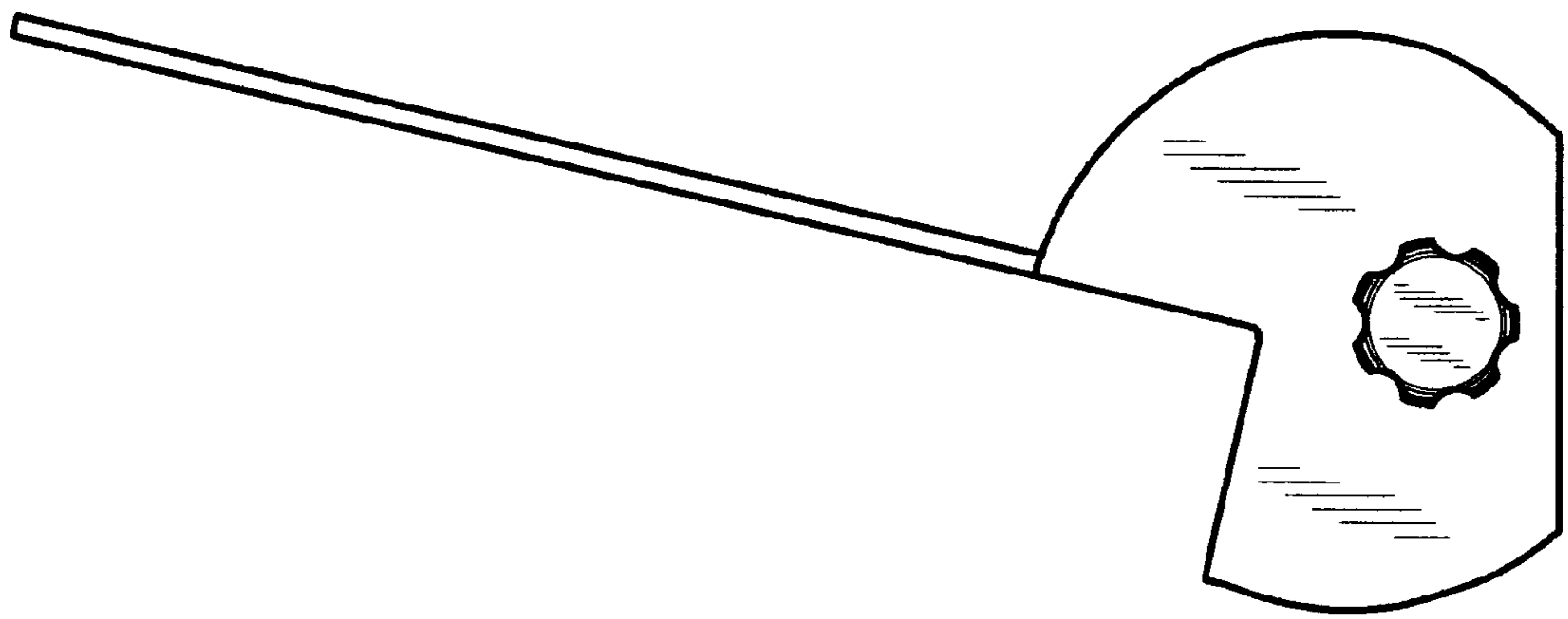


FIG. 24

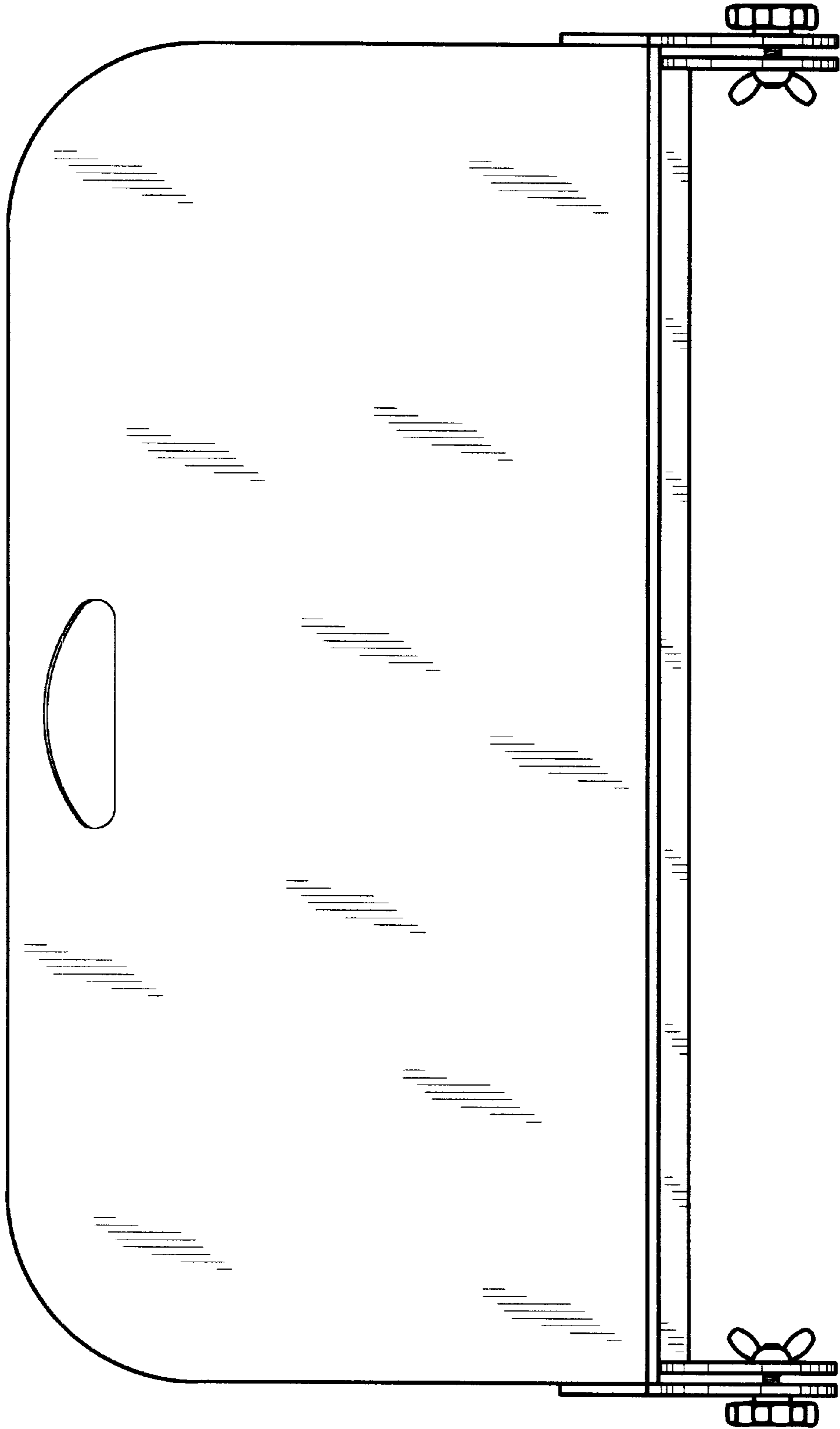


FIG. 25

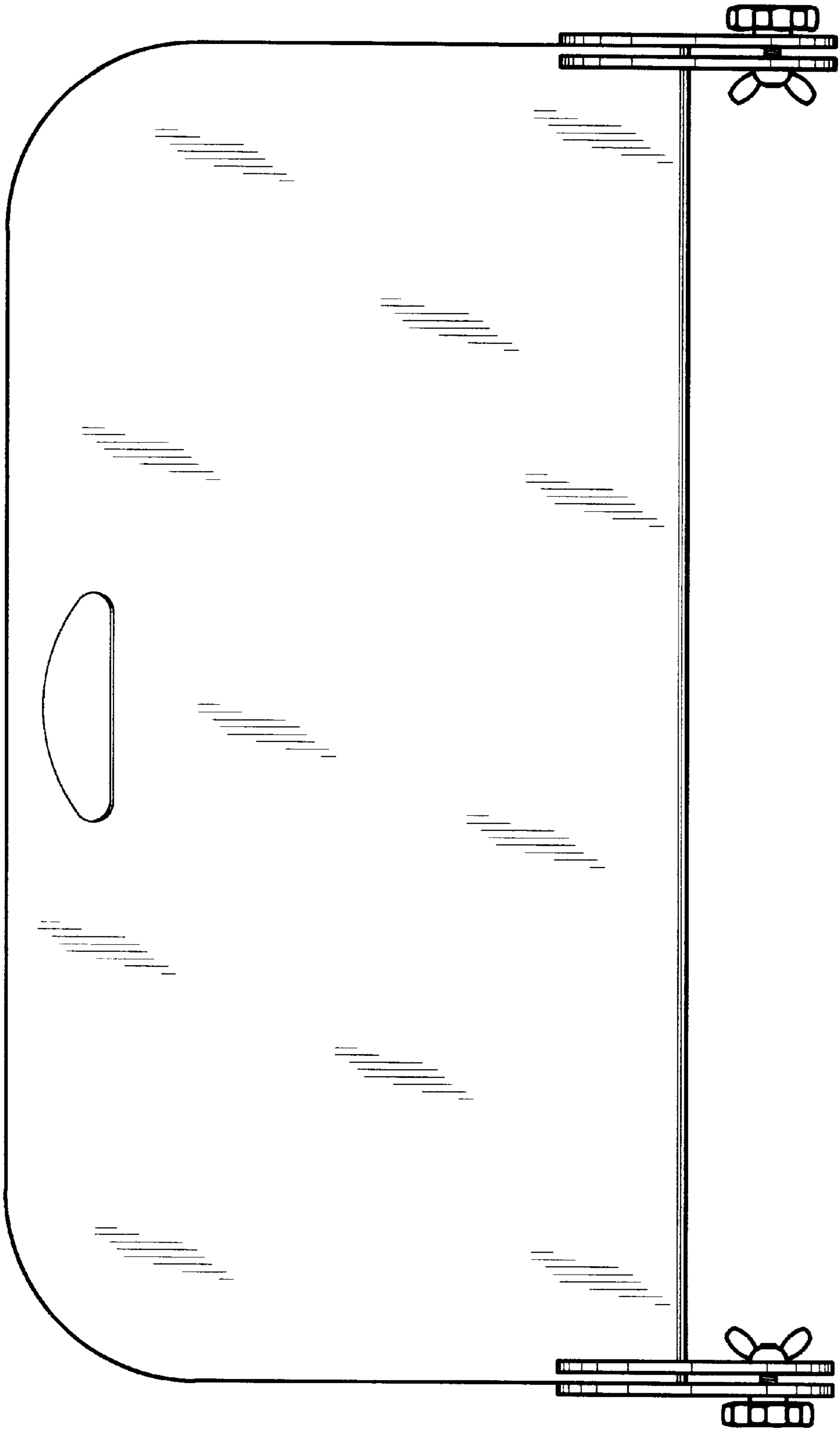


FIG. 26

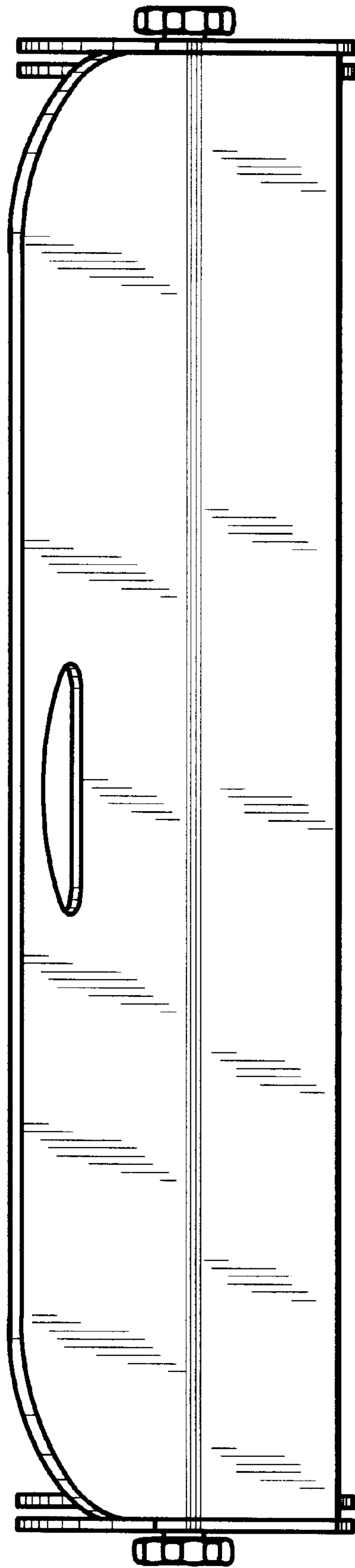


FIG. 27

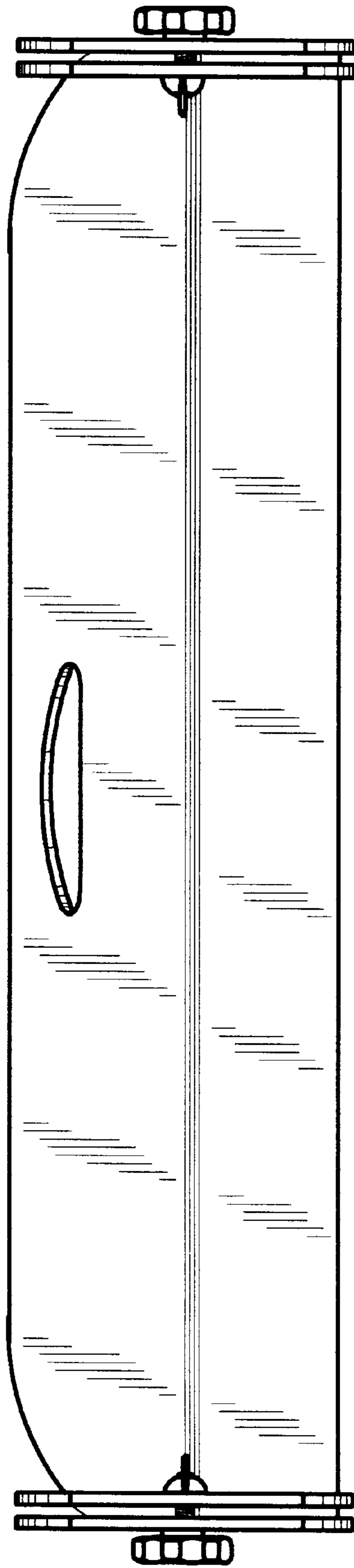


FIG. 28