



US00D413736S

United States Patent [19] Jackson

[11] Patent Number: **Des. 413,736**

[45] Date of Patent: **** Sep. 14, 1999**

[54] **RECLINING-BACK CHAIR**

5,120,071 6/1992 Thibault et al. D6/370

[76] Inventor: **Andrew W. Jackson**, 255 Middaugh Rd., Clarendon Hills, Ill. 60514

OTHER PUBLICATIONS

Picture "A", showing chair with reclining back, admitted prior art. Undated.

Picture "B", showing chair with fixed back, admitted prior art. Undated.

[**] Term: **14 Years**

[21] Appl. No.: **29/085,071**

[22] Filed: **Mar. 16, 1998**

Primary Examiner—Doris V. Coles

Assistant Examiner—Mimosa De

Attorney, Agent, or Firm—Rockey, Milnamow & Katz, Ltd.

[51] **LOC (6) Cl.** **06-01**

[52] **U.S. Cl.** **D6/367**

[58] **Field of Search** D6/334, 335, 370,
D6/374, 375, 367, 368, 379, 500, 501,
502; 297/377

[57] CLAIM

The ornamental design for a reclining-back chair, as shown and described.

[56] References Cited

DESCRIPTION

U.S. PATENT DOCUMENTS

D. 78,926	7/1929	Gottlob	D6/375
D. 84,585	7/1931	Ledder et al.	D6/374
D. 109,239	4/1938	Wolpin	D6/370
D. 148,391	1/1948	Plourde et al.	D6/374
D. 295,927	5/1988	Hickey	D6/370
D. 350,860	9/1994	Greeson	D6/370
D. 371,466	7/1996	Boisson	D6/370

FIG. 1 is a perspective view of a reclining-back chair, showing my new design;

FIG. 2 is a perspective view thereof, as taken from another vantage; and,

FIG. 3 is an elevational view of one side thereof, the other side being a mirror image; and.

1 Claim, 3 Drawing Sheets

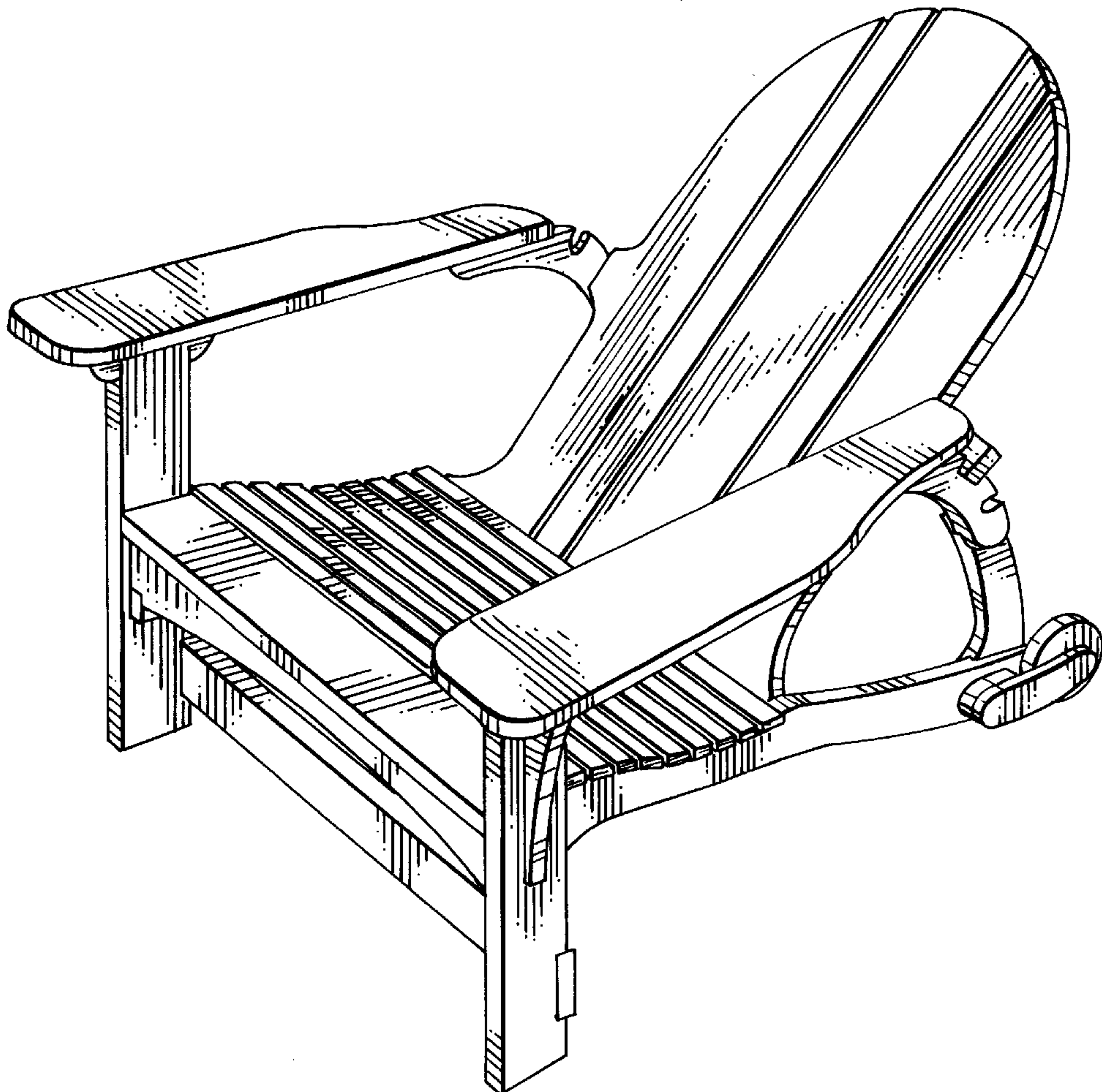


FIG. 1

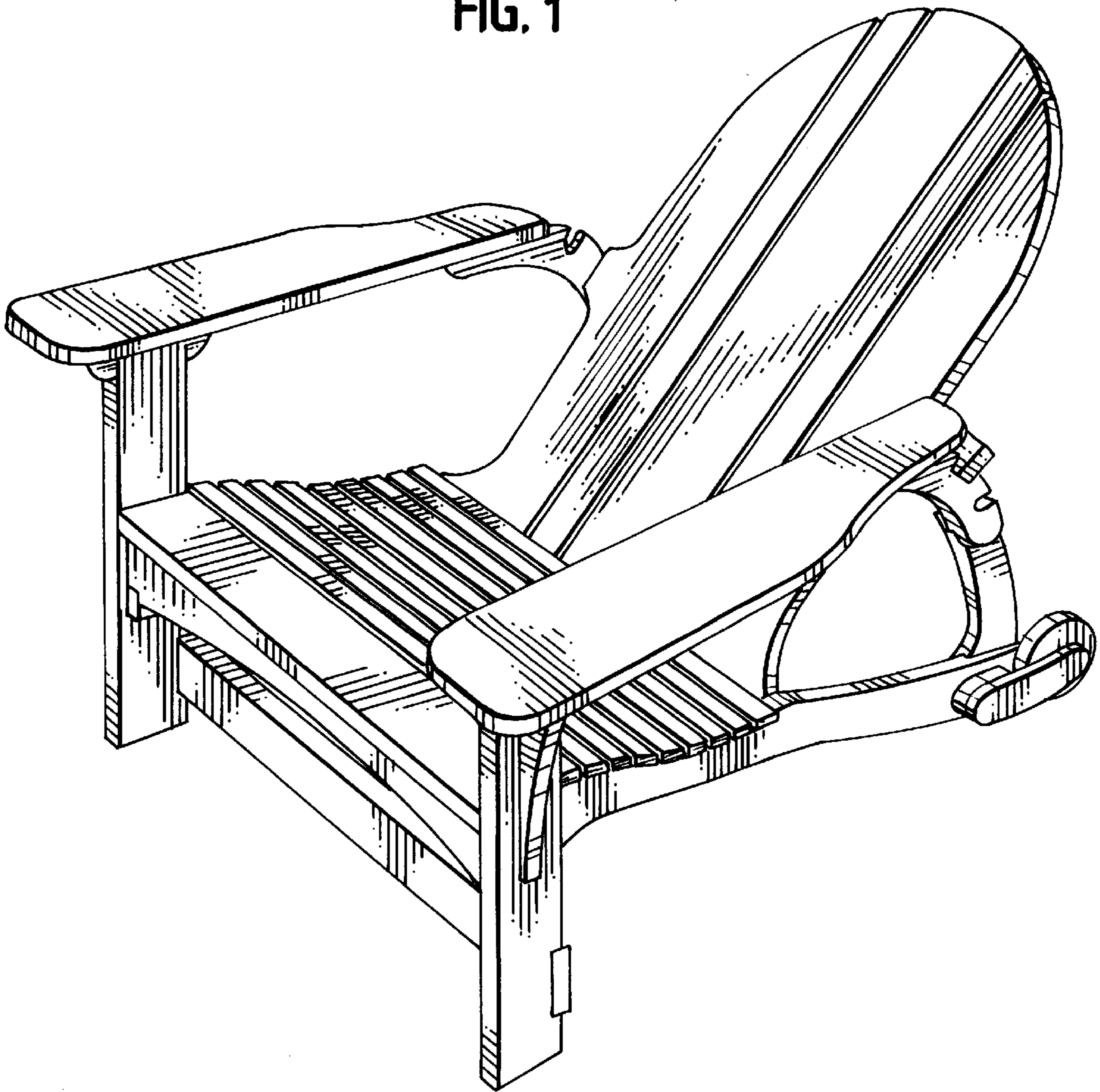


FIG. 2

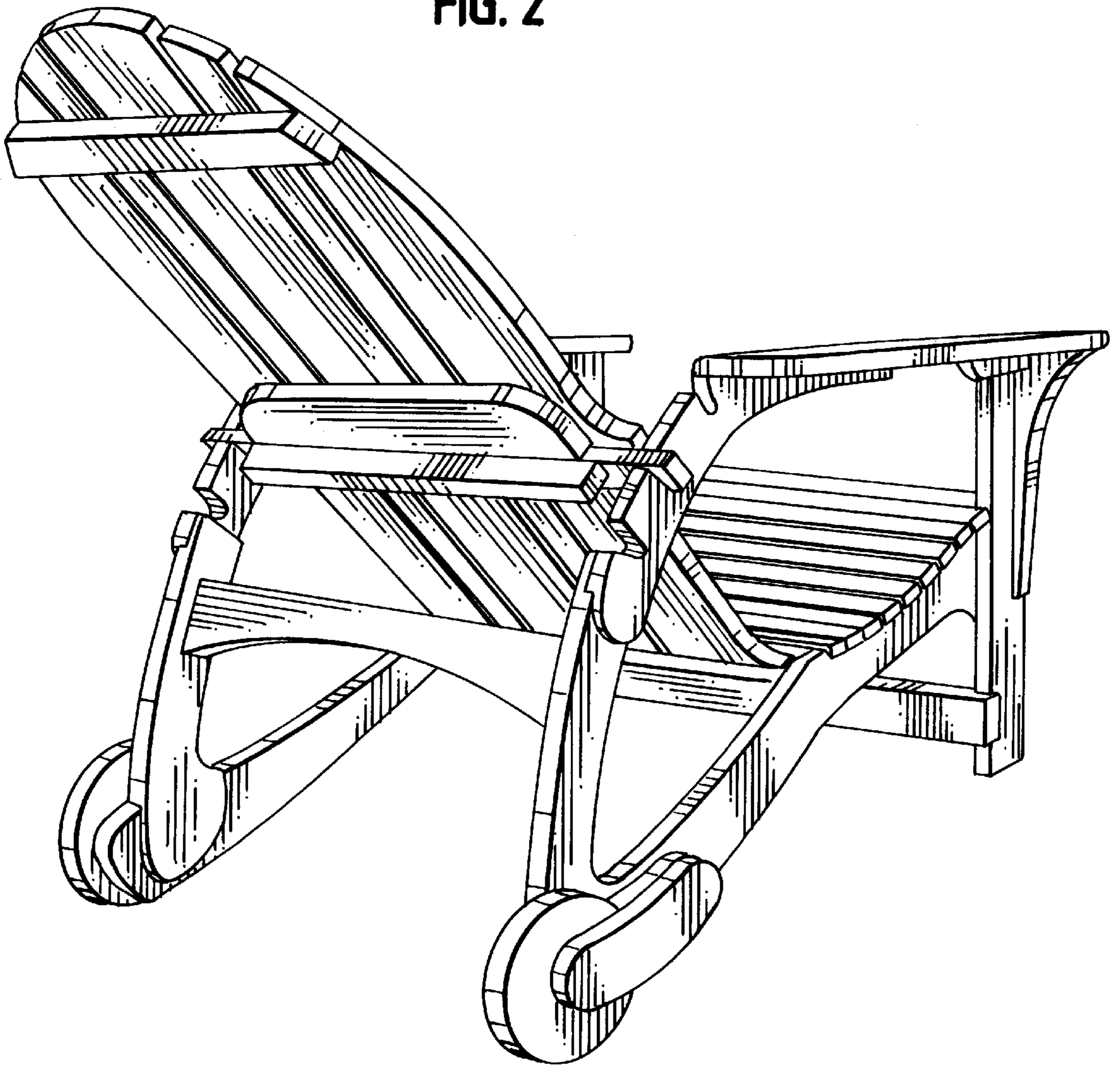


FIG. 3

