



US00D413735S

United States Patent [19]
Tseng

[11] **Patent Number: Des. 413,735**

[45] **Date of Patent: ** Sep. 14, 1999**

[54] **FOLDABLE CHAIR**

OTHER PUBLICATIONS

[75] Inventor: **Chuen-Jong Tseng**, Chiayi Hsien, Taiwan

U.S. Chaircraft, p. 5, Lounge Chair 281 F at top left, Apr. 2, 1952.

[73] Assignee: **Shin Yen Enterprise Co., Ltd.**, Chiayi Hsien, Taiwan

Primary Examiner—Gary D. Watson
Attorney, Agent, or Firm—Ladas & Parry

[**] Term: **14 Years**

[57] **CLAIM**

[21] Appl. No.: **29/090,109**

The ornamental design for a foldable chair, as shown and described.

[22] Filed: **Jun. 30, 1998**

DESCRIPTION

[51] **LOC (6) Cl.** **06-01**

[52] **U.S. Cl.** **D6/361**

[58] **Field of Search** D6/334, 335, 360, D6/361, 367, 368, 374, 500, 501, 502; 297/19, 377

FIG. 1 is a perspective view of a foldable chair showing my new design;

FIG. 2 is a front elevational view thereof;

FIG. 3 is a rear elevational view thereof;

FIG. 4 is a left side elevational view thereof;

FIG. 5 is a right side elevational view thereof;

FIG. 6 is a top plan view thereof; and,

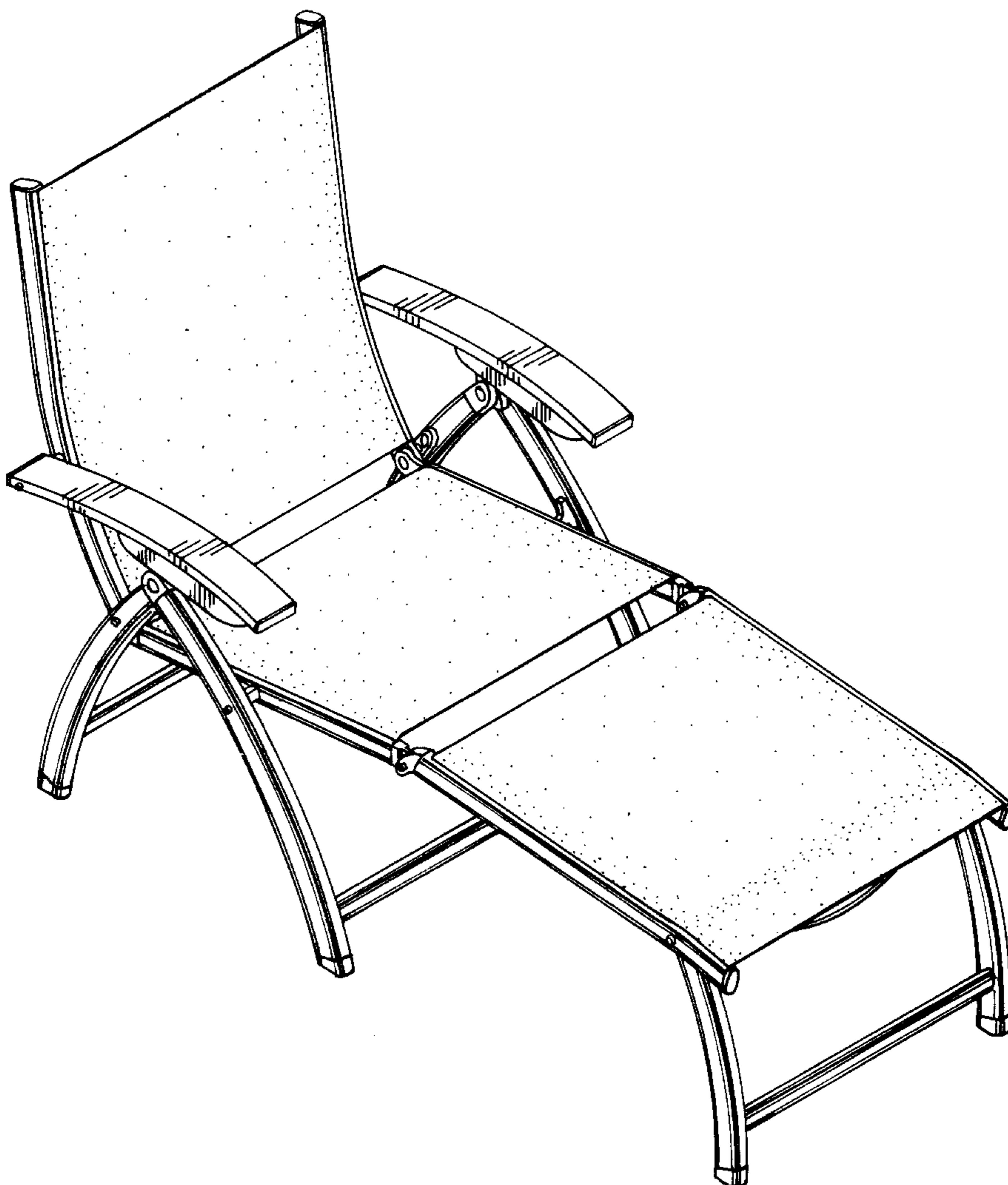
FIG. 7 is a bottom plan view thereof.

[56] **References Cited**

U.S. PATENT DOCUMENTS

- D. 198,624 7/1964 Lockshin D6/361
- D. 344,415 2/1994 Gibbs D6/361

1 Claim, 6 Drawing Sheets



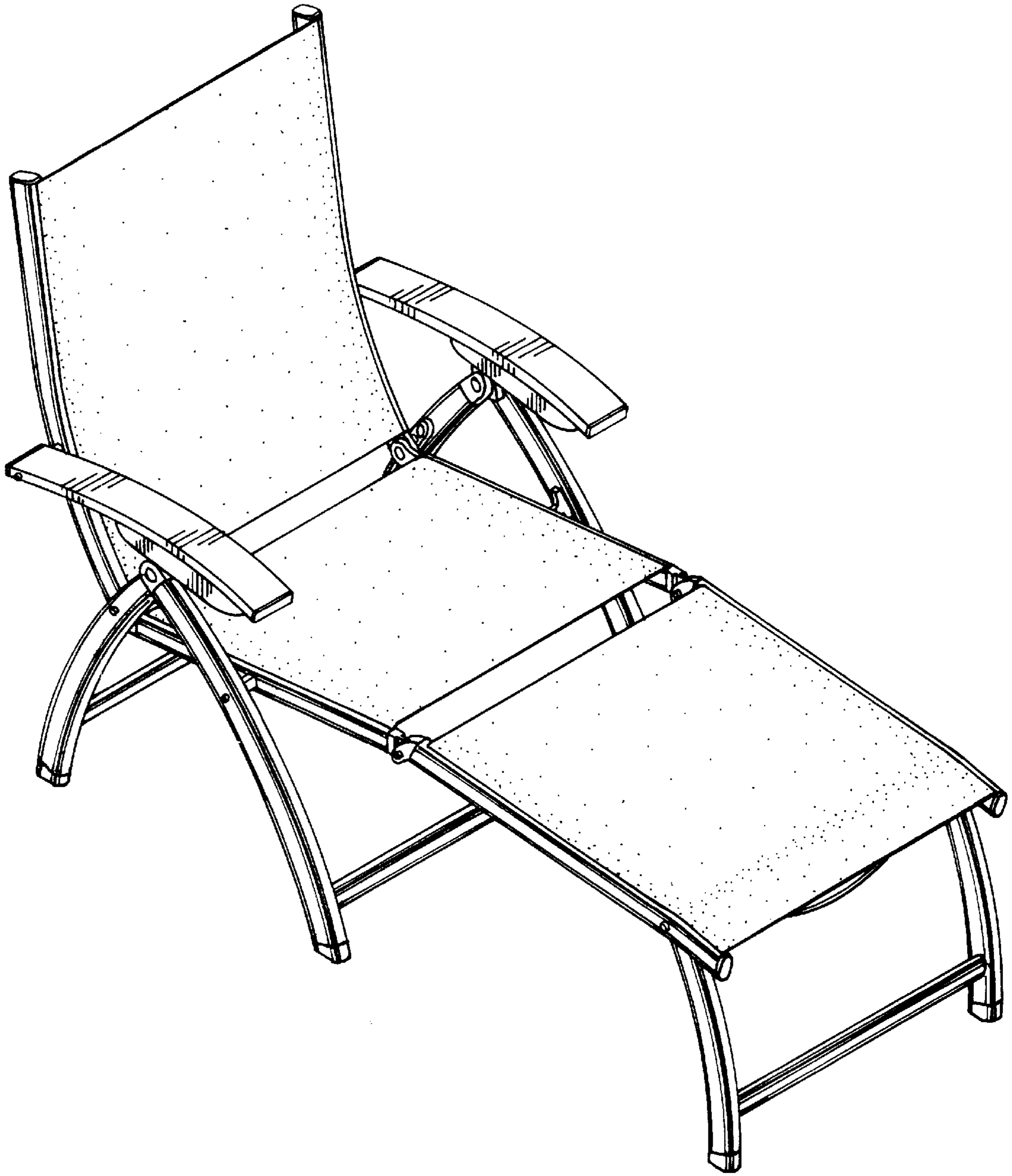


FIG. 1

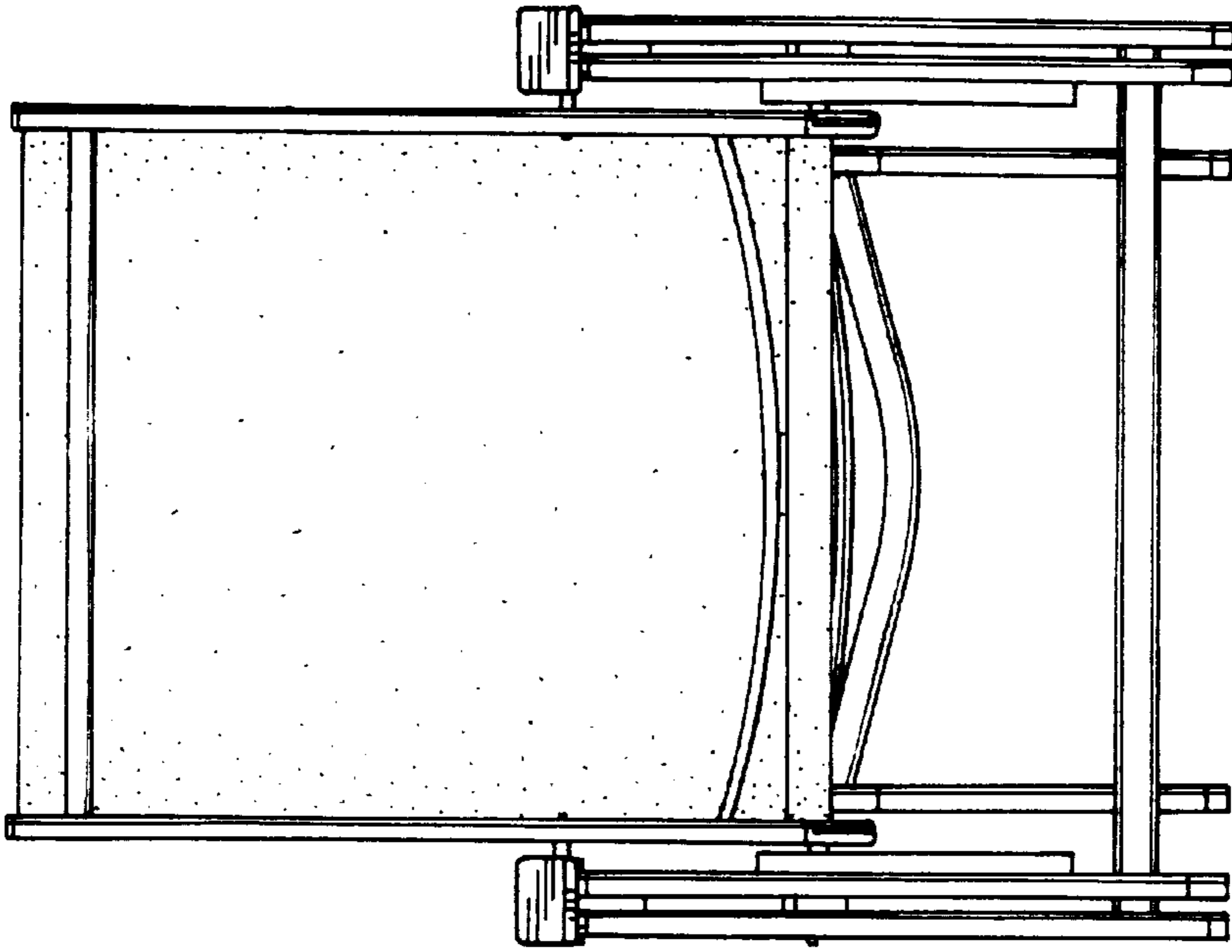


FIG. 3

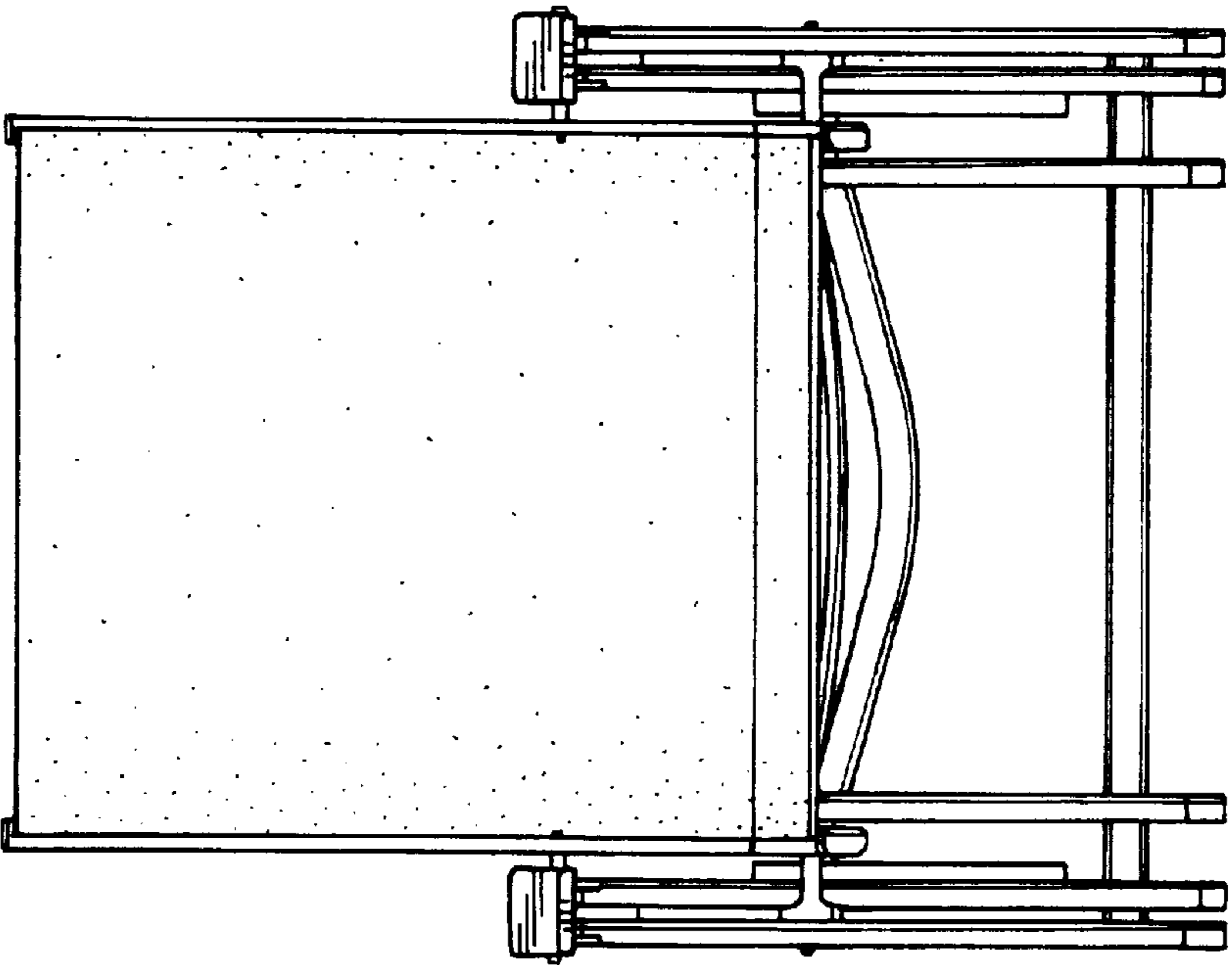


FIG. 2

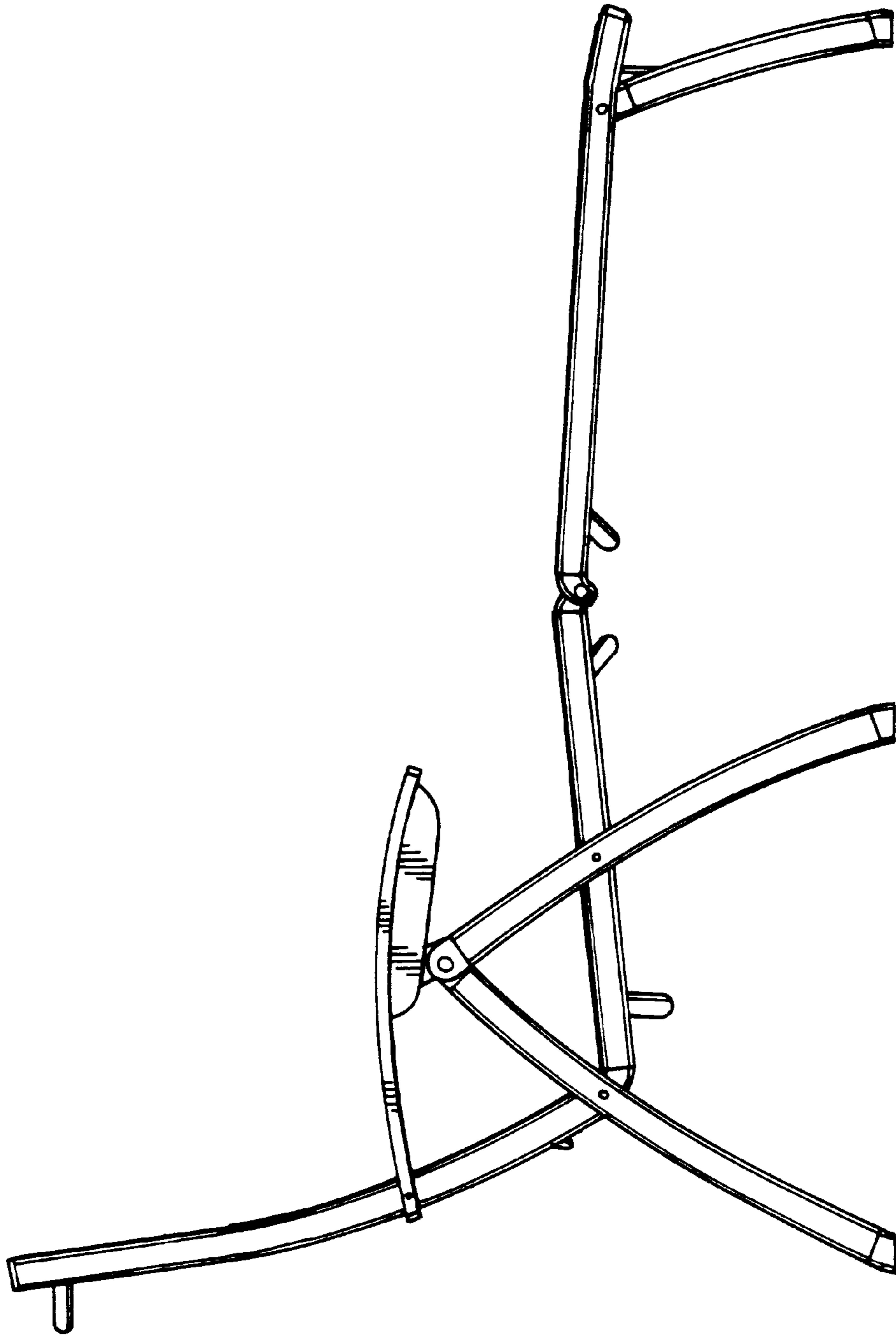


FIG. 4

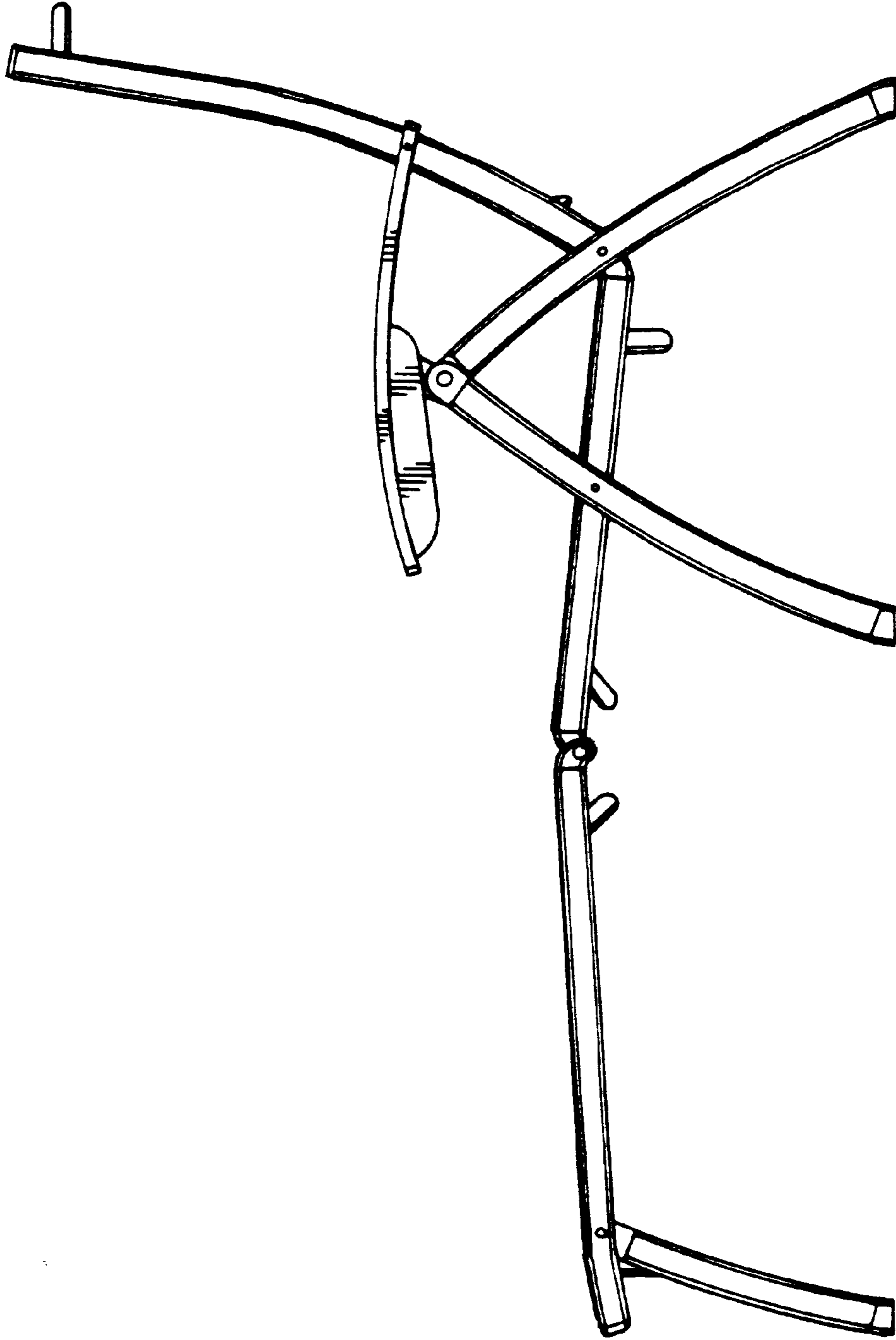


FIG. 5

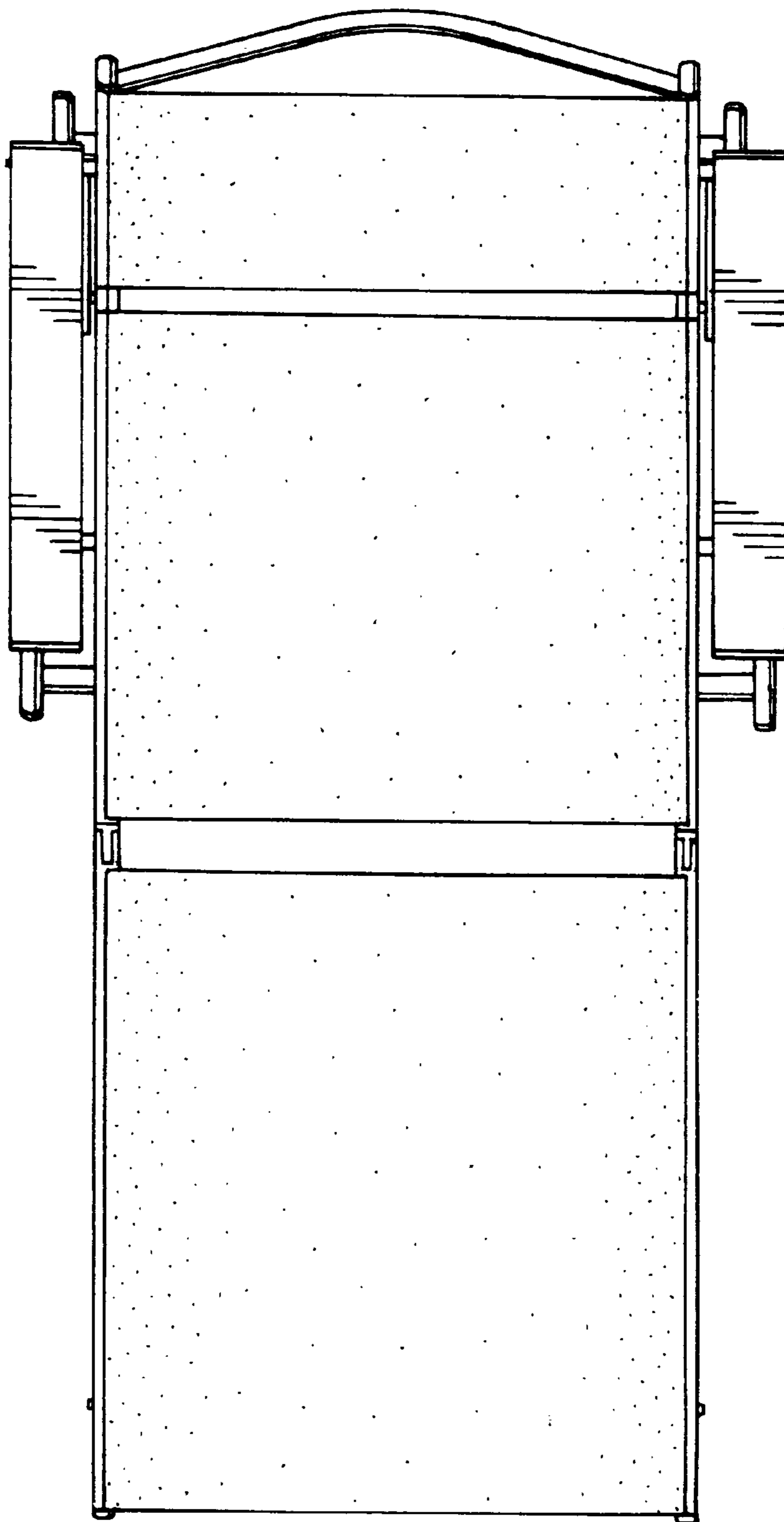


FIG. 6

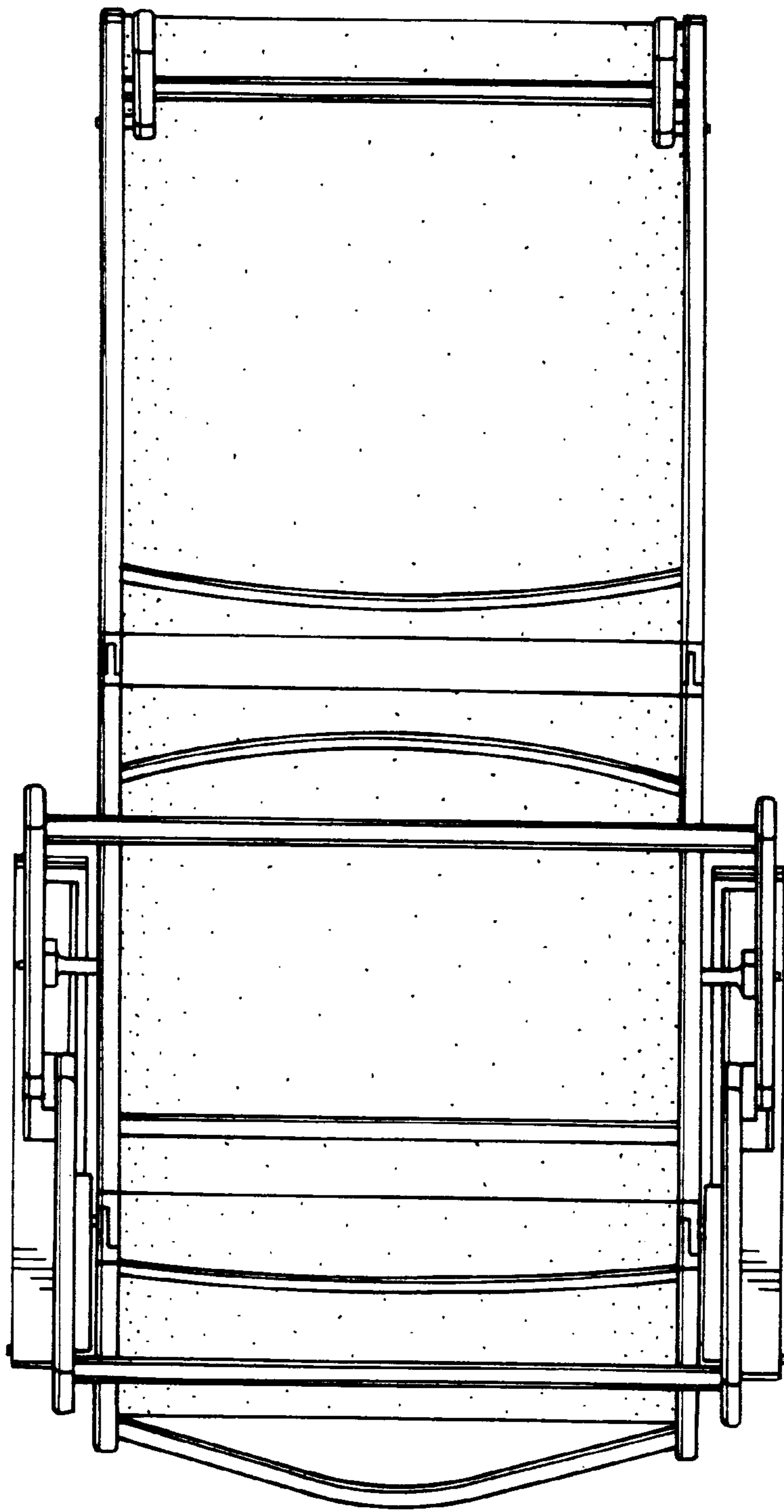


FIG. 7