



US00D413734S

United States Patent [19] Bue

[11] Patent Number: Des. 413,734

[45] Date of Patent: ** Sep. 14, 1999

[54] COMBINED FOLDING TABLE AND SEATS

[75] Inventor: Richard C. Bue, Chaska, Minn.

[73] Assignee: Sico Incorporated, Minneapolis, Minn.

[**] Term: 14 Years

[21] Appl. No.: 29/086,247

[22] Filed: Apr. 8, 1998

[51] LOC (6) Cl. 06-01

[52] U.S. Cl. D6/337

[58] Field of Search D6/333, 334, 335,
D6/336, 337, 500, 501, 502; 297/159.1,
158.4

3,337,262	8/1967	Katzfey et al. .
3,411,823	11/1968	Bue .
3,477,760	11/1969	Bue .
3,536,356	10/1970	Wilson .
3,580,632	5/1971	Seymour .
3,715,143	2/1973	Gerken et al. .
4,052,100	10/1977	Nikitis et al. .
4,070,057	1/1978	Jones .
4,131,311	12/1978	Nikitis et al. .
4,133,271	1/1979	Carlson .
4,249,773	2/1981	Giambalvo .
4,596,196	6/1986	Gunter et al. .
4,653,804	3/1987	Yoo et al. .
4,700,987	10/1987	Sraka et al. .
4,826,244	5/1989	Choi .
4,883,314	11/1989	Sakong .
4,932,333	6/1990	Jensen et al. .
5,029,938	7/1991	Song .
5,683,135	11/1997	Williams .
5,794,540	8/1998	Dombrowski et al. .

[56] References Cited

U.S. PATENT DOCUMENTS

Re. 24,454	4/1958	Wilson .	
D. 194,038	11/1962	Preston	D6/337
D. 211,886	8/1968	Benjamin .	
D. 250,151	11/1978	Pingel	D6/337
D. 327,178	6/1992	Ryaa	D6/337
D. 369,913	5/1996	Noll	D6/337
1,339,232	5/1920	St. John et al. .	
2,702,585	2/1955	Wilson .	
2,717,631	9/1955	Howe .	
2,721,778	10/1955	Wilson .	
2,730,417	1/1956	Mitchell .	
2,739,860	3/1956	Wilson .	
2,771,937	11/1956	Wilson .	
2,969,245	1/1961	Wilson .	
3,028,197	4/1962	Wilson .	
3,055,705	9/1962	Wilson .	
3,075,809	1/1963	Wilson .	
3,099,480	7/1963	Wilson .	
3,099,481	7/1963	Bue .	
3,101,064	8/1963	Kanzelberger et al. .	
3,109,678	11/1963	Wilson .	
3,212,463	10/1965	Anderson et al. .	
3,245,363	4/1966	Amthor, Jr. et al. .	

Primary Examiner—Doris V. Coles
Assistant Examiner—Mimosa De
Attorney, Agent, or Firm—Merchant, Gould, Smith, Edell,
Welter & Schmidt

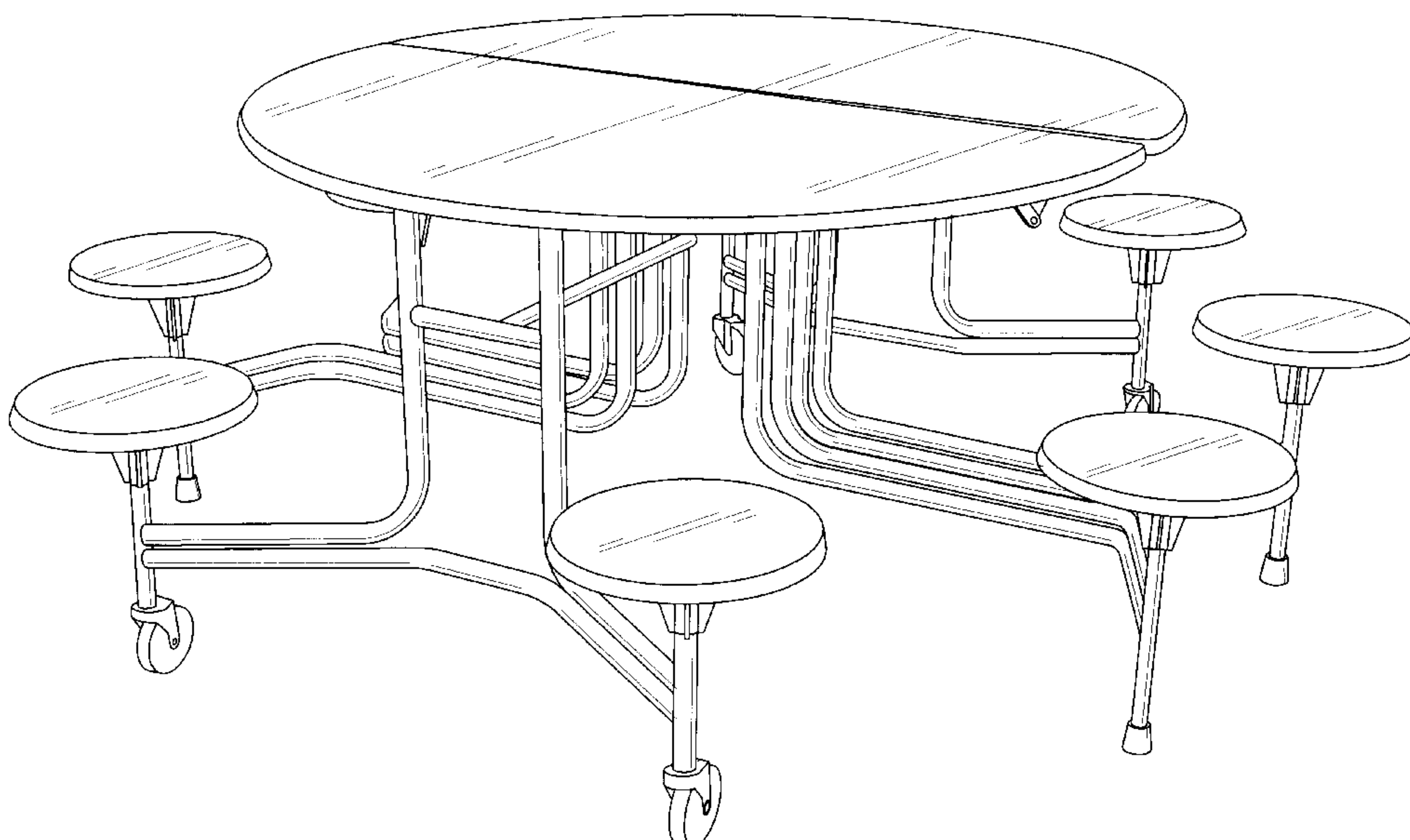
[57] CLAIM

The ornamental design for a combined folding table and seats, as shown and described.

DESCRIPTION

FIG. 1 shows a perspective view of a combined folding table and seats according to the principles of the present invention;
FIG. 2 shows a right side elevational view thereof, a left side elevational view not being shown as it is a mirror image of the right side elevational view;
FIG. 3 shows a front elevational view thereof;
FIG. 4 shows a rear elevational view thereof;
FIG. 5 shows a top plan view thereof; and,
FIG. 6 shows a bottom plan view thereof.

1 Claim, 6 Drawing Sheets



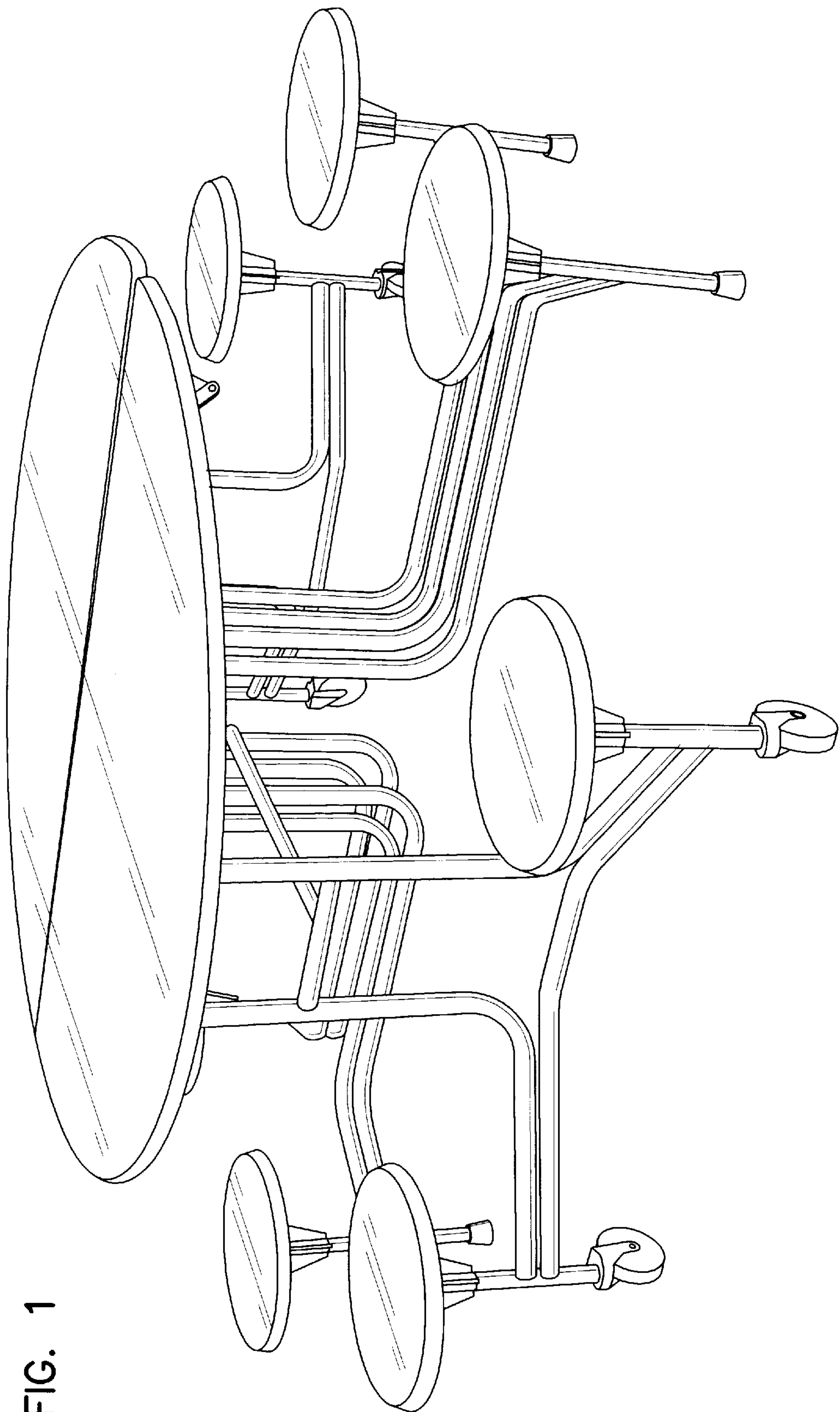


FIG. 1

FIG. 2

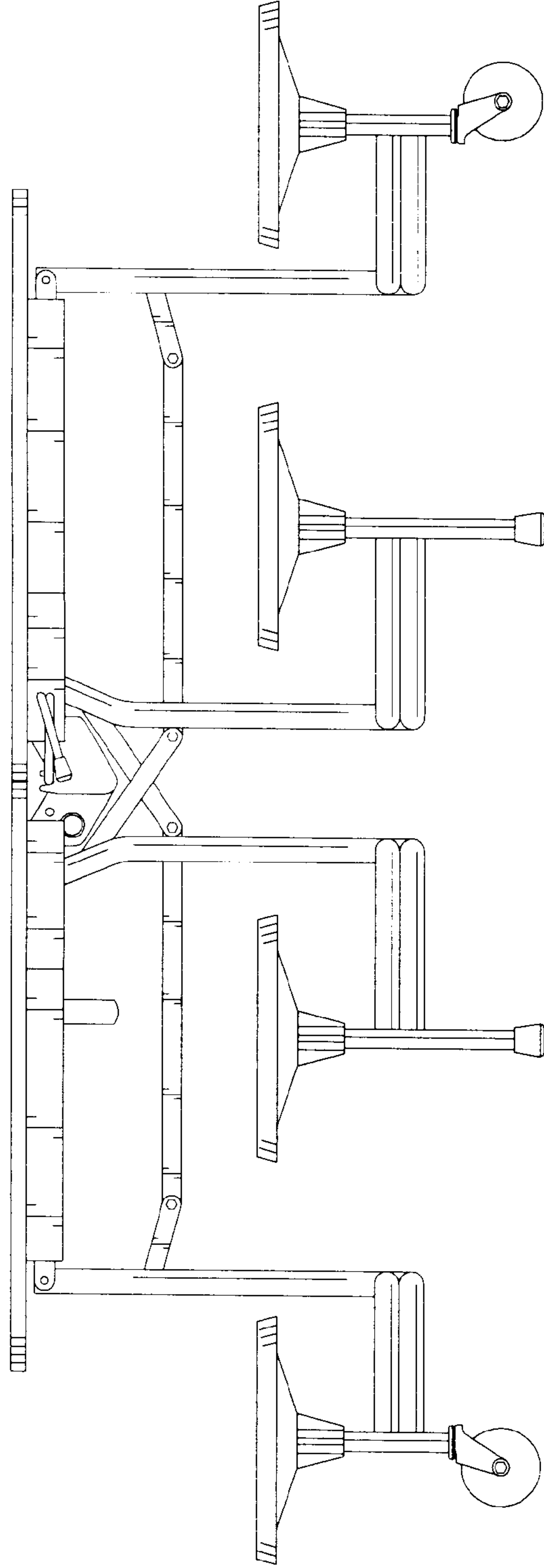


FIG. 3

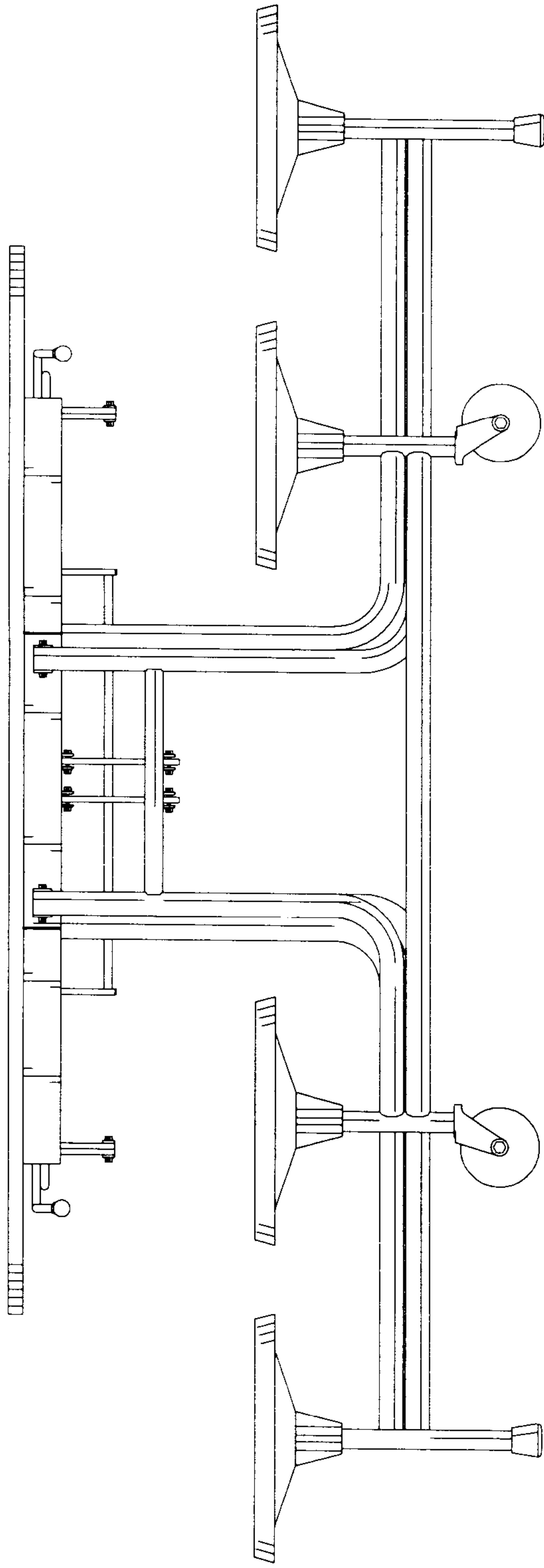
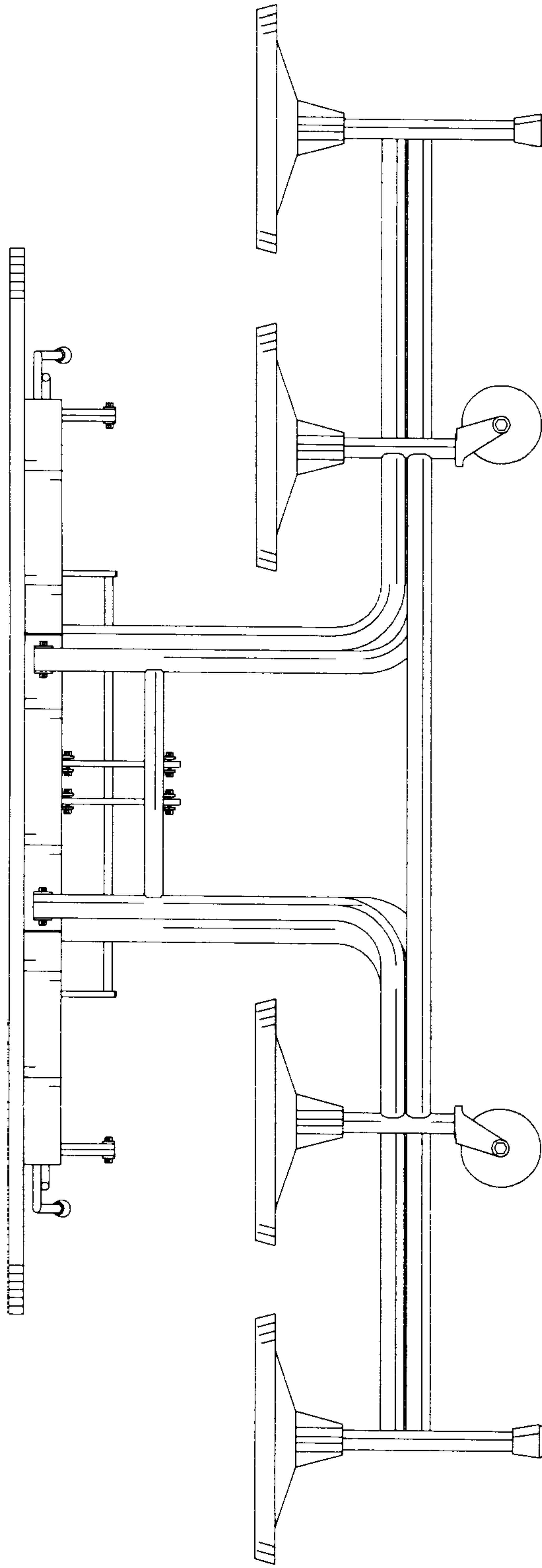


FIG. 4



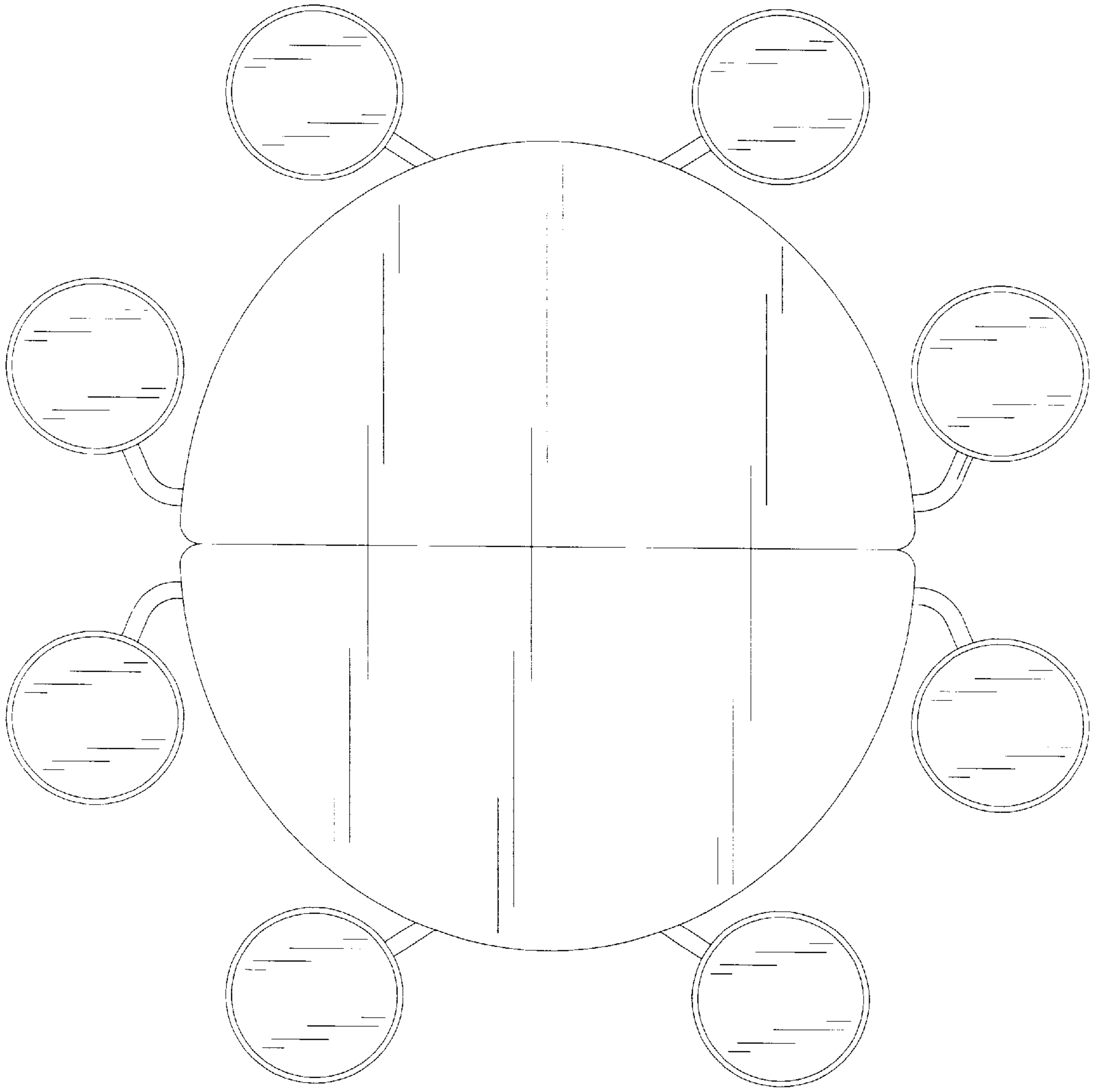


FIG. 5

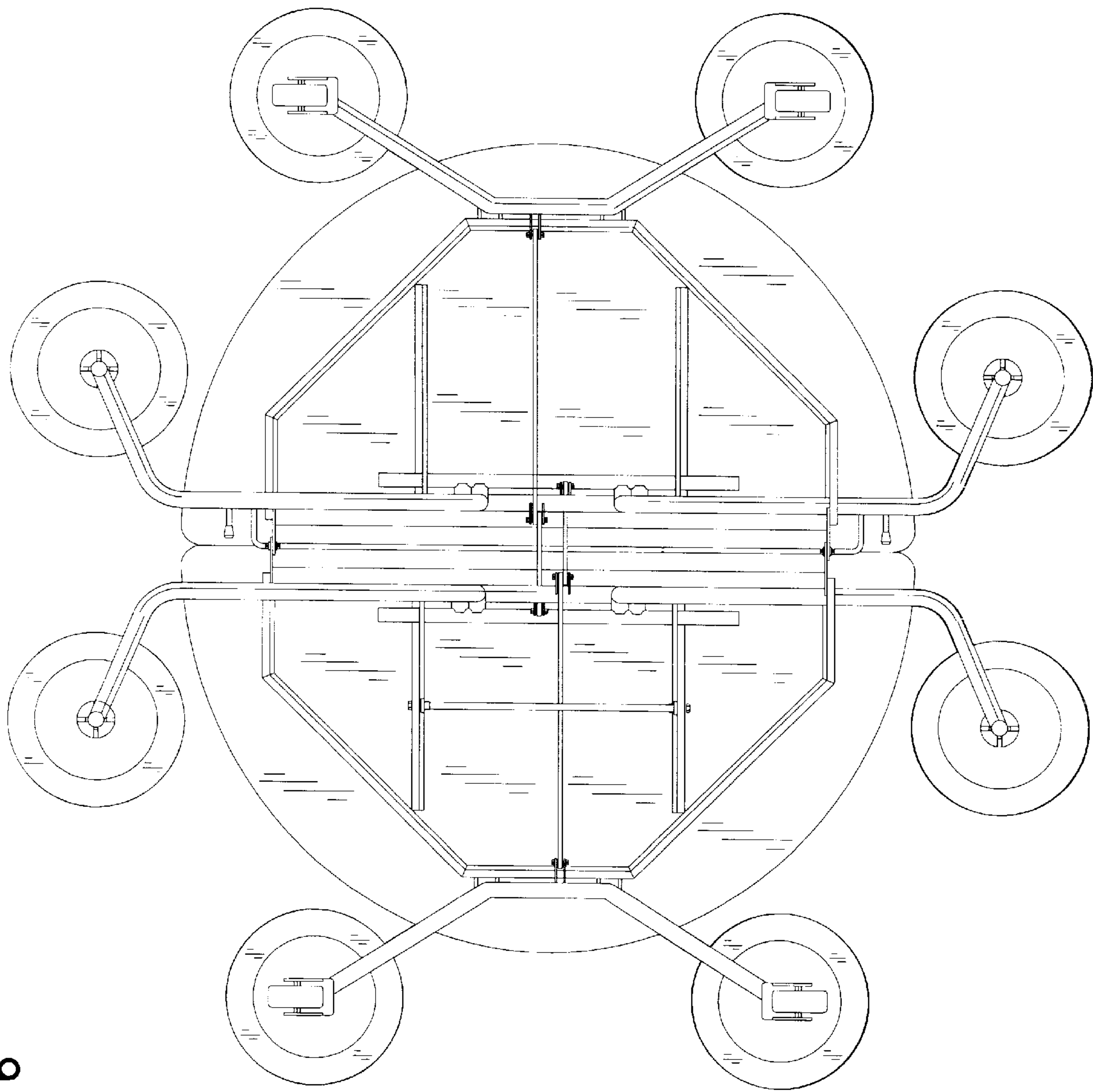


FIG. 6