



US00D413733S

# United States Patent [19] Edmonds

[11] **Patent Number: Des. 413,733**

[45] **Date of Patent: \*\* Sep. 14, 1999**

[54] **COMBINED STADIUM SEAT CUSHION AND STORAGE COMPARTMENT**

*Attorney, Agent, or Firm—*Mineo & Whittaker; Malcolm E. Whittaker

[76] Inventor: **Gregory Paul Edmonds**, 10827 S. 51st St., #204, Phoenix, Ariz. 85044

[57] **CLAIM**

[\*\*] Term: **14 Years**

The ornamental design for a combined stadium seat cushion and storage compartment, as shown and described.

[21] Appl. No.: **29/083,443**

**DESCRIPTION**

[22] Filed: **Feb. 10, 1998**

[51] **LOC (6) Cl.** ..... **06-01**

[52] **U.S. Cl.** ..... **D6/336**

[58] **Field of Search** ..... D6/334, 335, 336, D6/368, 500, 501, 502, 601; 297/188.08, 188.12, 188.2, 250.1

FIG. 1 is an isometric view of the front top and one side of a combined stadium seat cushion and storage compartment shown in position of use it being understood that broken line showing of the support of a stadium, arena or coliseum seat is for illustrative purposes only and forms no part of claimed design.

[56] **References Cited**

**U.S. PATENT DOCUMENTS**

D. 216,879	3/1970	Petersen et al.	.....	D6/368
D. 363,951	11/1995	Chatman	.....	D6/334
D. 366,383	1/1996	Briegleb	.....	D6/601
D. 366,800	2/1996	Moore, Jr.	.....	D6/601
D. 373,475	9/1996	Sullivan	.....	D6/368
D. 379,047	5/1997	Richard	.....	D6/368
D. 391,086	2/1998	Catching et al.	.....	D6/356
3,120,404	2/1964	Bramming	.....	297/188.08
4,190,918	3/1980	Harvell	.....	D6/601
4,597,605	7/1986	Gilbert	.....	D6/601
4,822,309	4/1989	Vandenberg	.....	297/188.01
4,824,171	4/1989	Hollingsworth	.....	D6/368
4,843,662	7/1989	Handelman	.....	297/188.01

FIG. 2 is an enlarged top view of the combined stadium seat cushion and storage compartment.

FIG. 3 is a left side view of the combined stadium seat cushion and storage compartment.

FIG. 4 is a back view of the combined stadium seat cushion and storage compartment.

FIG. 5 is a right side view of the combined stadium seat cushion and storage compartment.

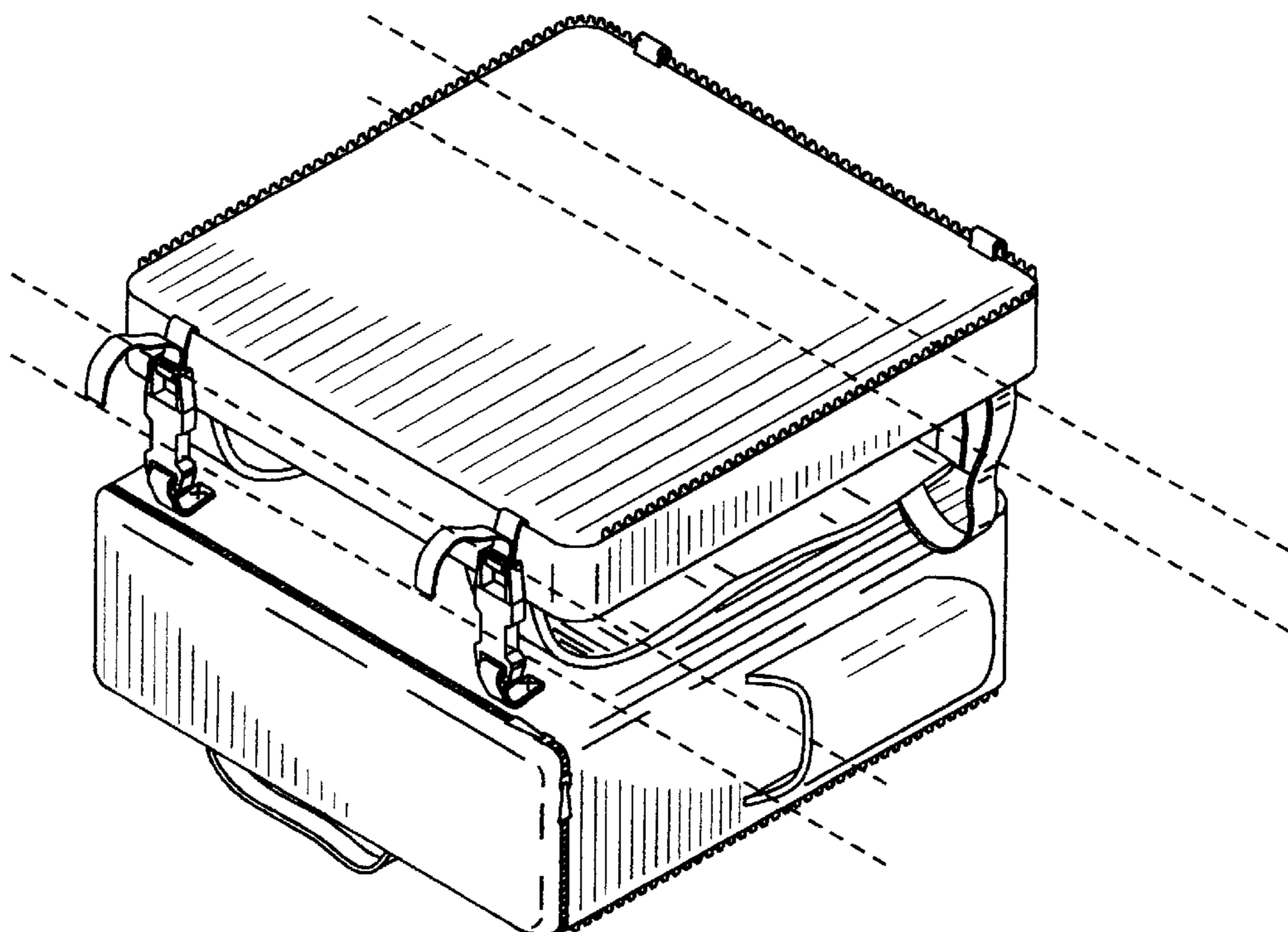
FIG. 6 is an enlarged front view of the combined stadium seat cushion and storage compartment; and,

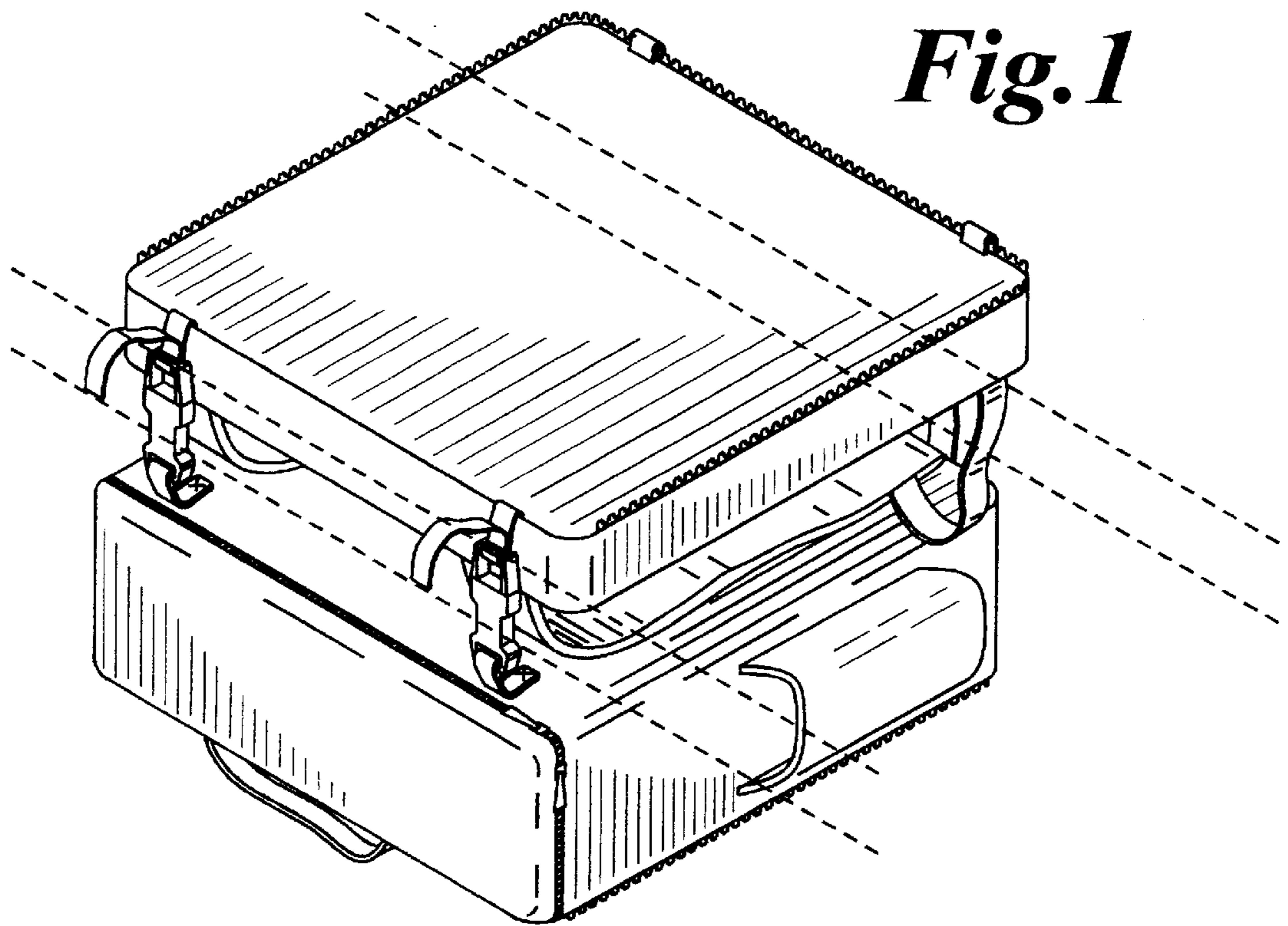
FIG. 7 is an enlarged bottom view of the combined stadium seat cushion and storage compartment.

FIGS. 2-7 illustrate the appearance of the combined stadium seat cushion and storage compartment before being put into use as in FIG. 1.

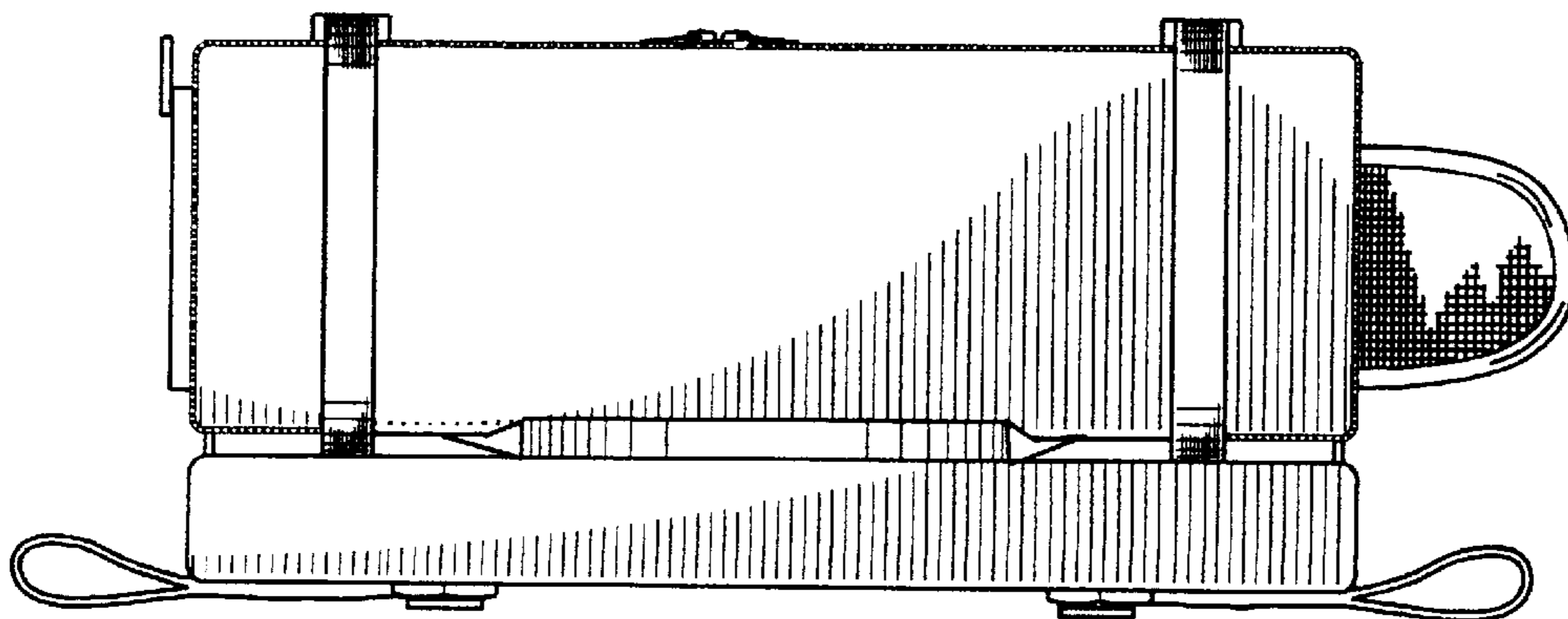
*Primary Examiner—*Caron D. Veynar  
*Assistant Examiner—*Mimosa De

**1 Claim, 3 Drawing Sheets**

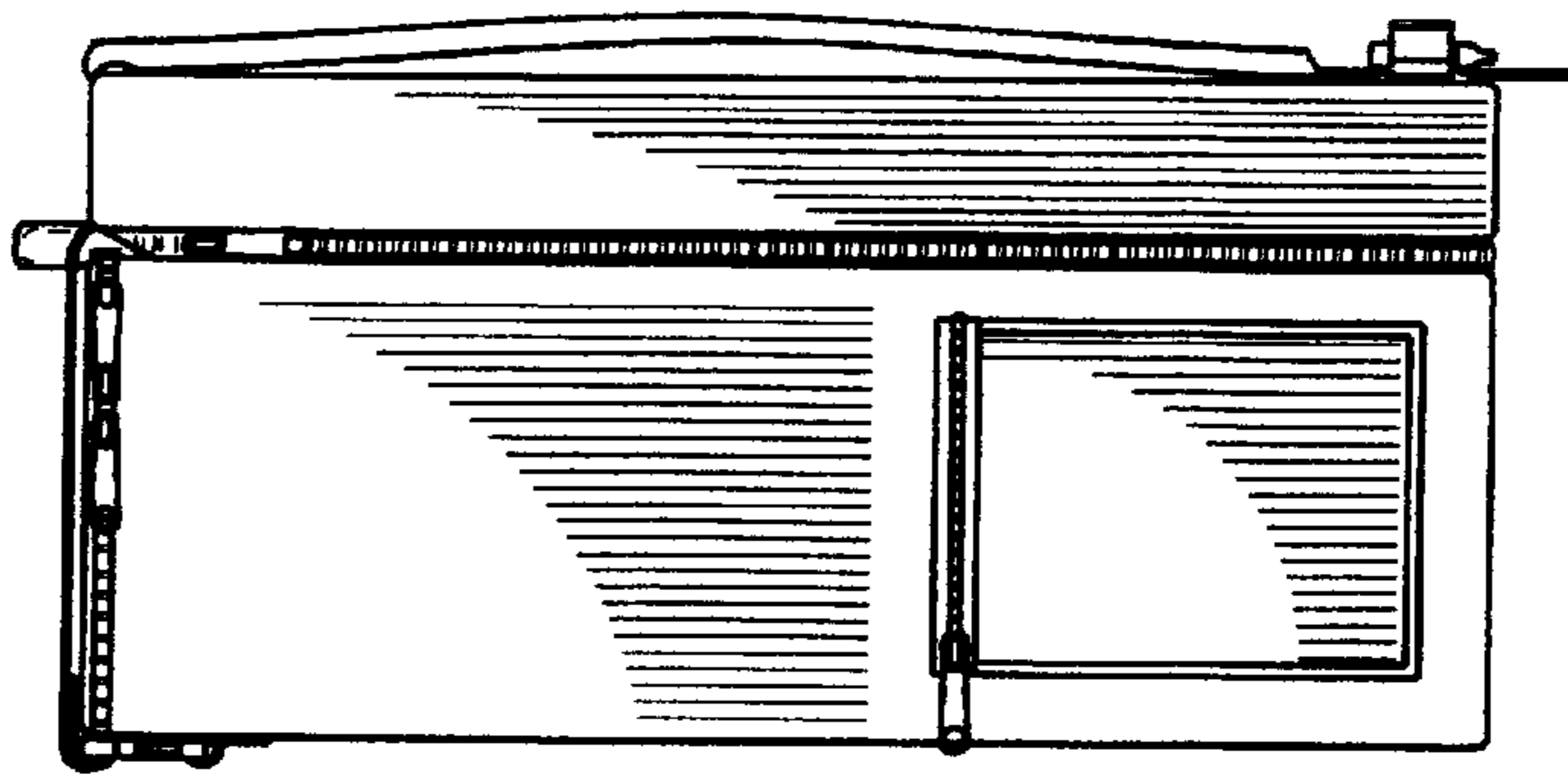




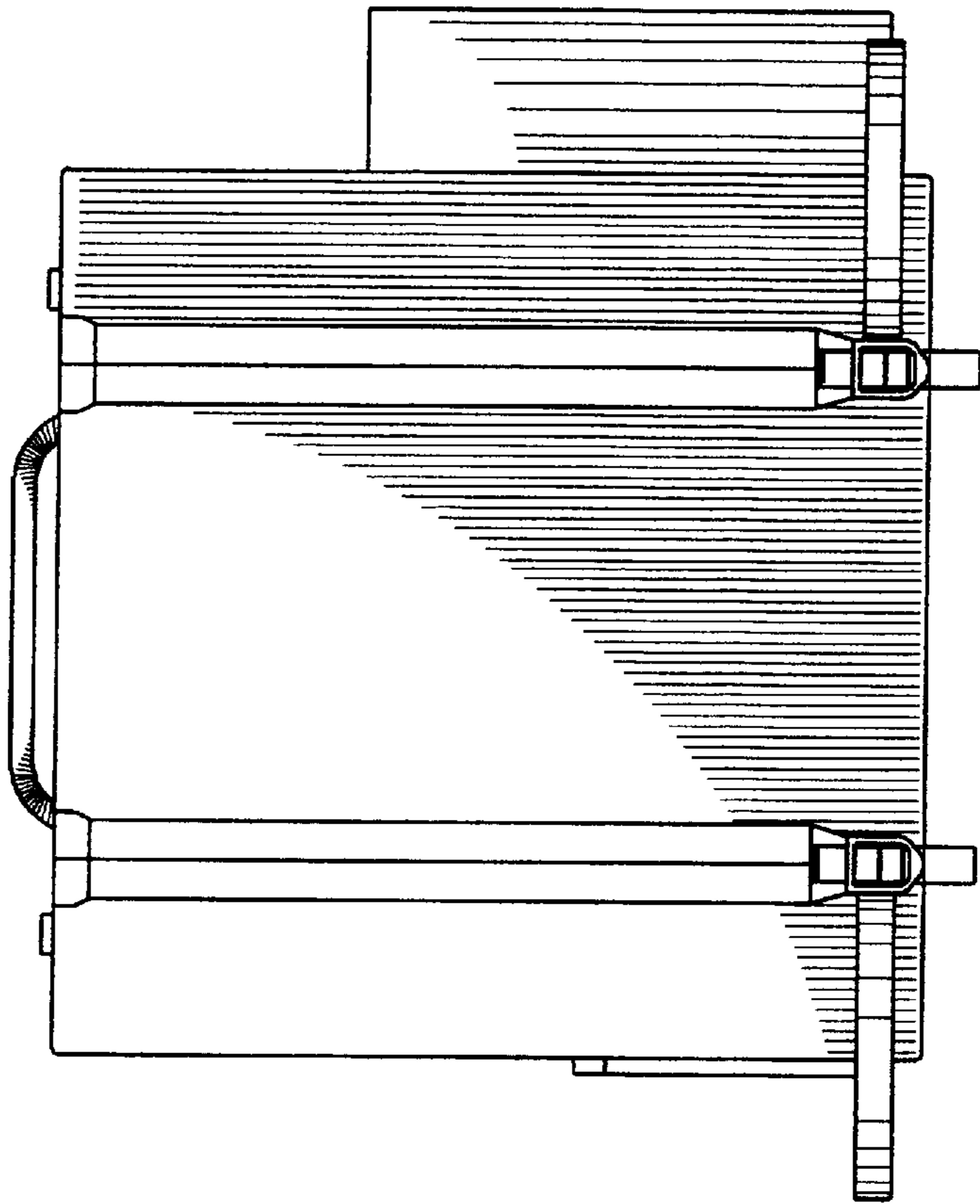
*Fig. 2*



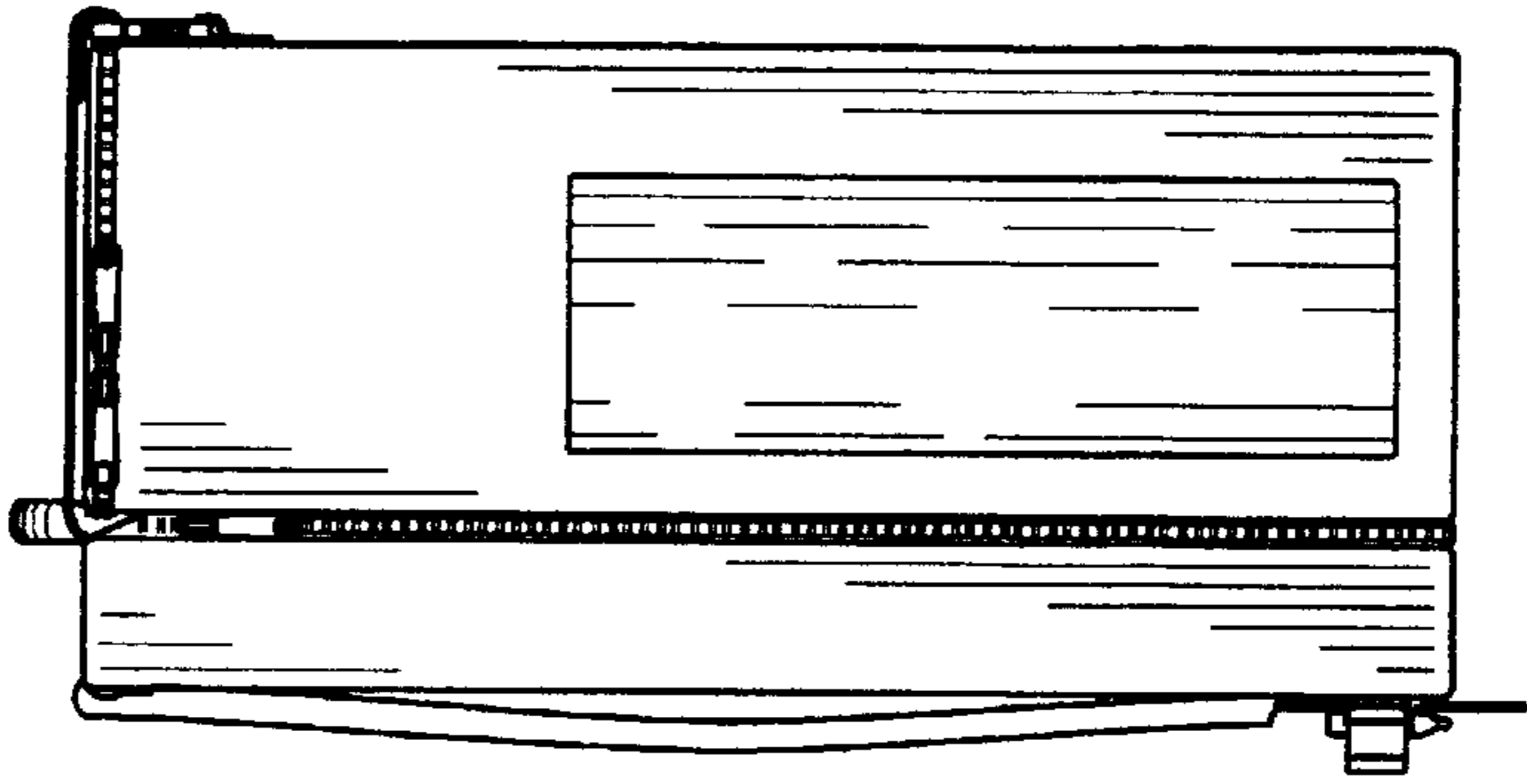
*Fig. 3*

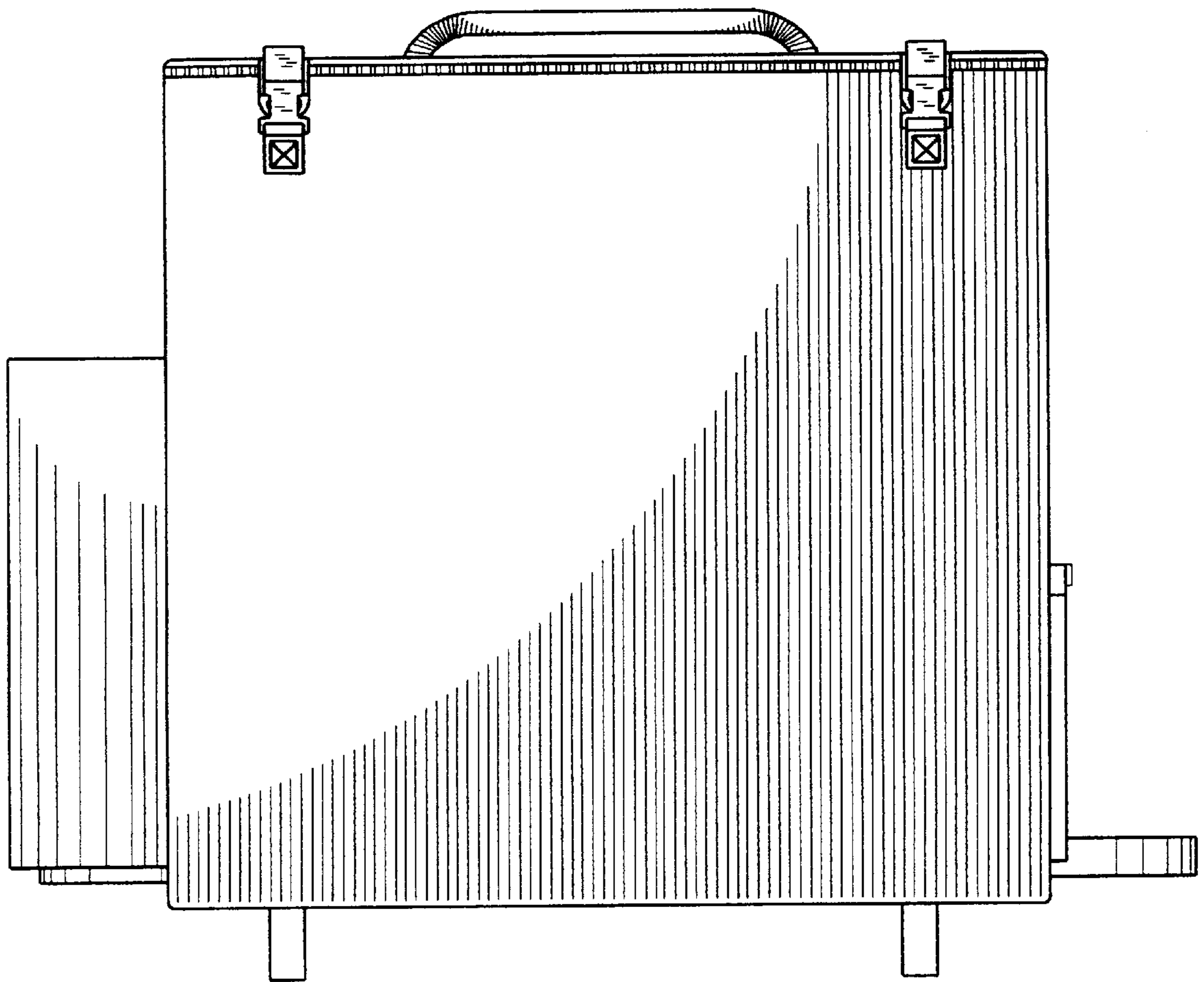


*Fig. 4*



*Fig. 5*





*Fig. 6*

*Fig. 7*

