



US00D413709S

United States Patent [19]

[11] **Patent Number: Des. 413,709**

Wright et al.

[45] **Date of Patent: ** Sep. 14, 1999**

[54] **NOVELTY HEADWEAR**

[76] Inventors: **Pamela J. Wright; Mark D. Wright,**
both of 3305 Justinian, Jeffersonville,
Ind. 47130

D. 387,541 12/1997 Kellman et al. .
D. 389,291 1/1998 Sterrett .
D. 393,535 4/1998 Farber D2/869
882,686 3/1908 Ireland et al. D2/865 X
5,708,983 1/1998 Cross et al. .

[**] Term: **14 Years**

Primary Examiner—Paula A. Mortimer
Attorney, Agent, or Firm—King and Schickli

[21] Appl. No.: **29/092,427**

[57] **CLAIM**

[22] Filed: **Aug. 19, 1998**

The ornamental design for novelty headwear, as shown and described.

[51] **LOC (6) Cl. 02-03**

[52] **U.S. Cl. D2/869**

[58] **Field of Search** D2/865, 866, 868,
D2/869, 867; 2/171, 181, 195.1, 209.13;
D32/53

DESCRIPTION

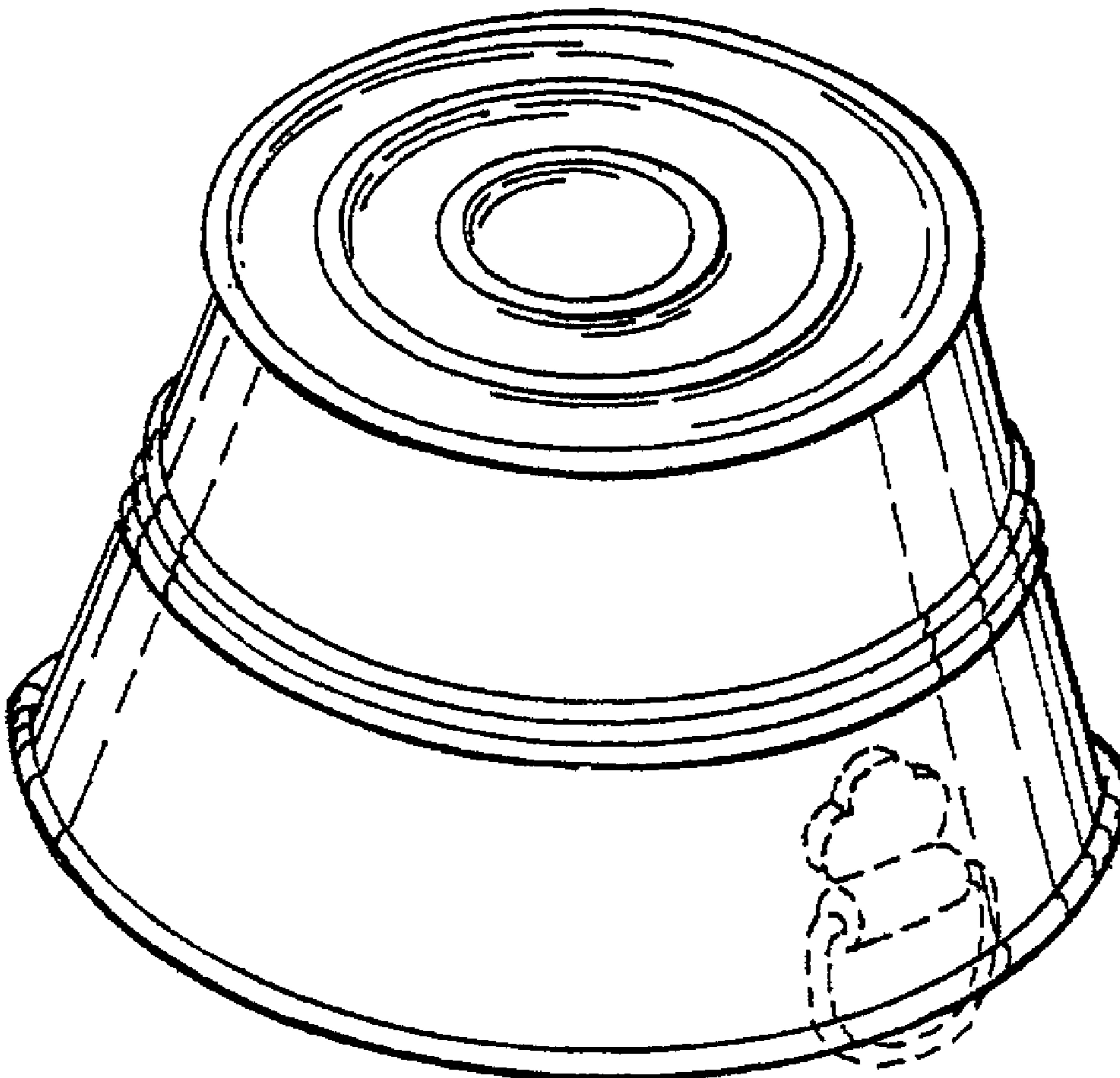
FIG. 1 is a perspective view of the novelty headwear showing our new design;
FIG. 2 is a left side elevation view, the right side being essentially the same;
FIG. 3 is a front side elevation view, the rear elevation view being essentially the same;
FIG. 4 is a top plan view thereof; and,
FIG. 5 is a bottom plan view thereof.
The broken line showing of the handle in all views is for illustrative purposes only and forms no part of the claimed design.

[56] References Cited

U.S. PATENT DOCUMENTS

D. 5,812 4/1872 Napheys D32/53
D. 132,371 5/1942 Lish D2/865
D. 134,203 10/1942 Harpignies D2/869
D. 192,953 5/1962 Zelony .
D. 270,471 9/1983 Rhyce et al. .
D. 355,976 3/1995 Gilfert et al. .
D. 357,344 4/1995 Norton D2/869

1 Claim, 1 Drawing Sheet



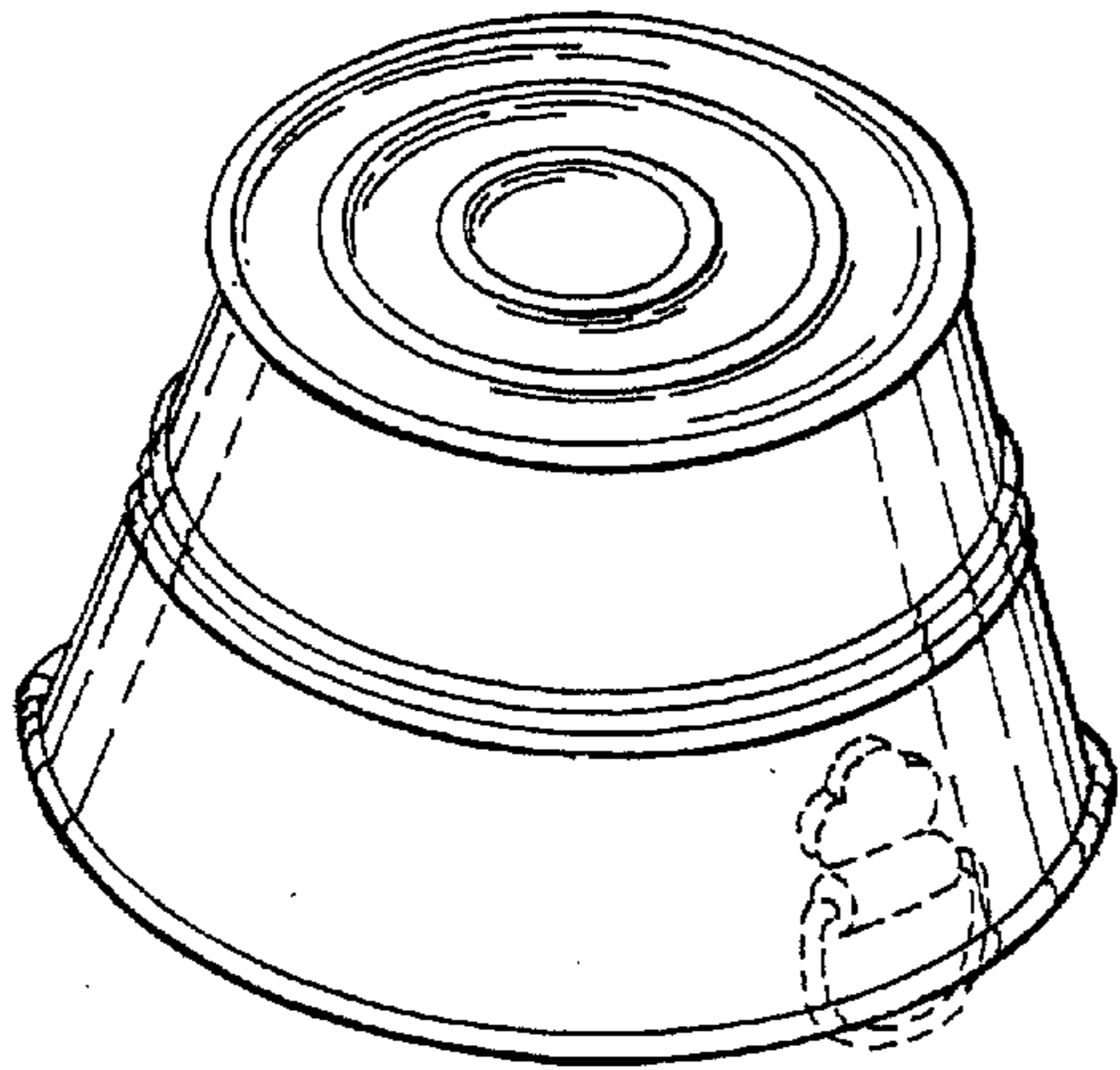


Fig. 1

Fig. 2

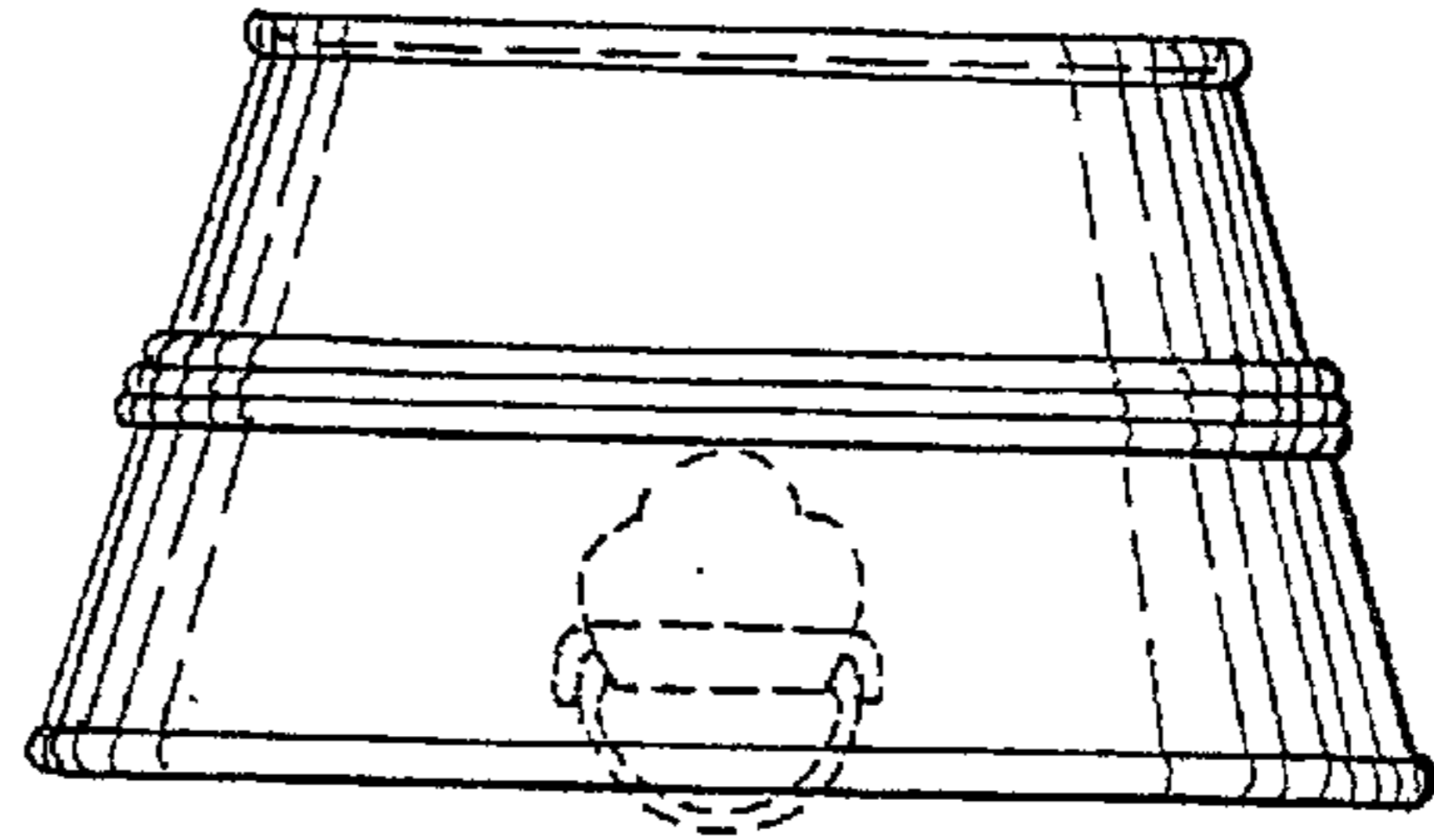


Fig. 3

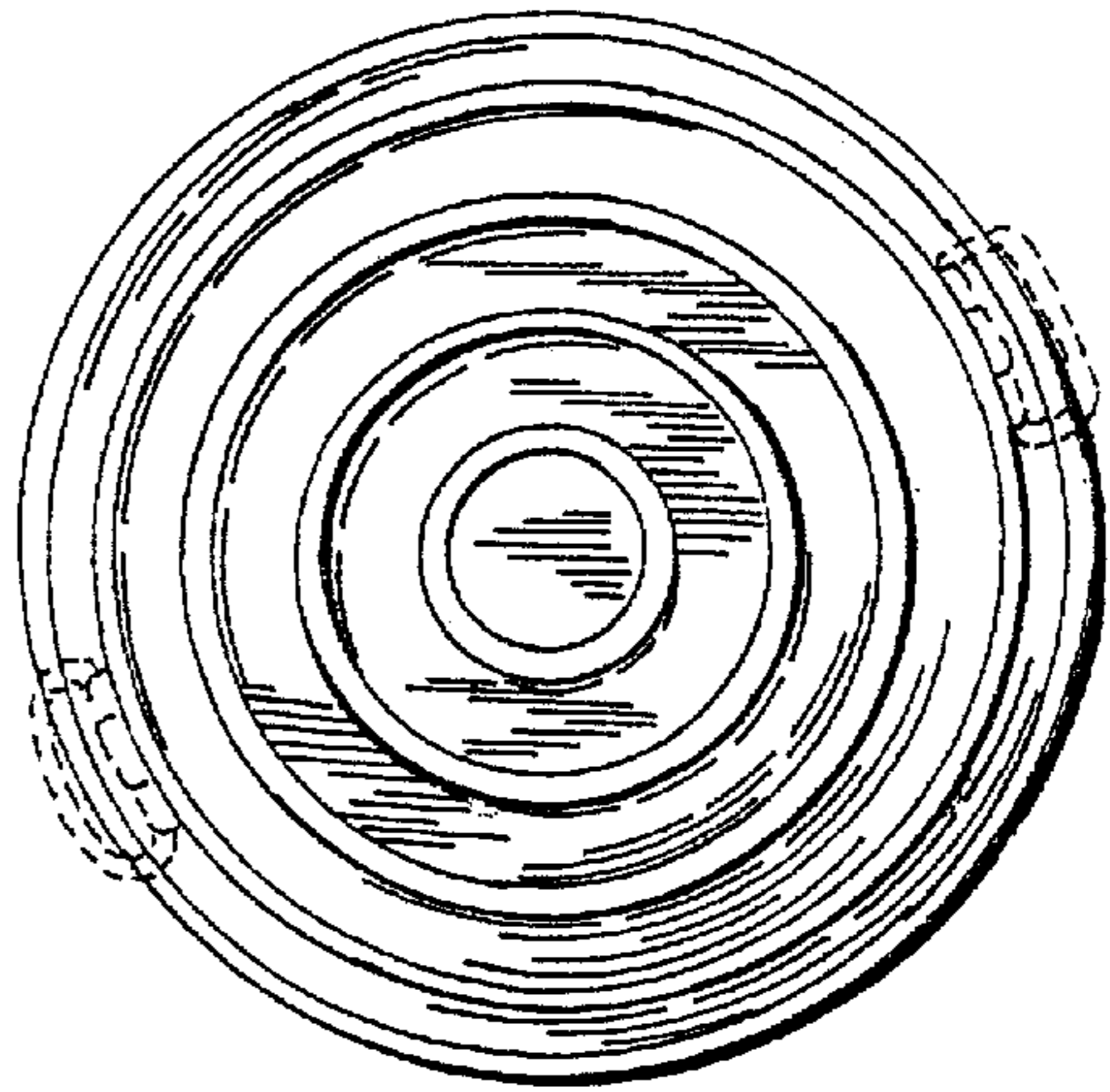
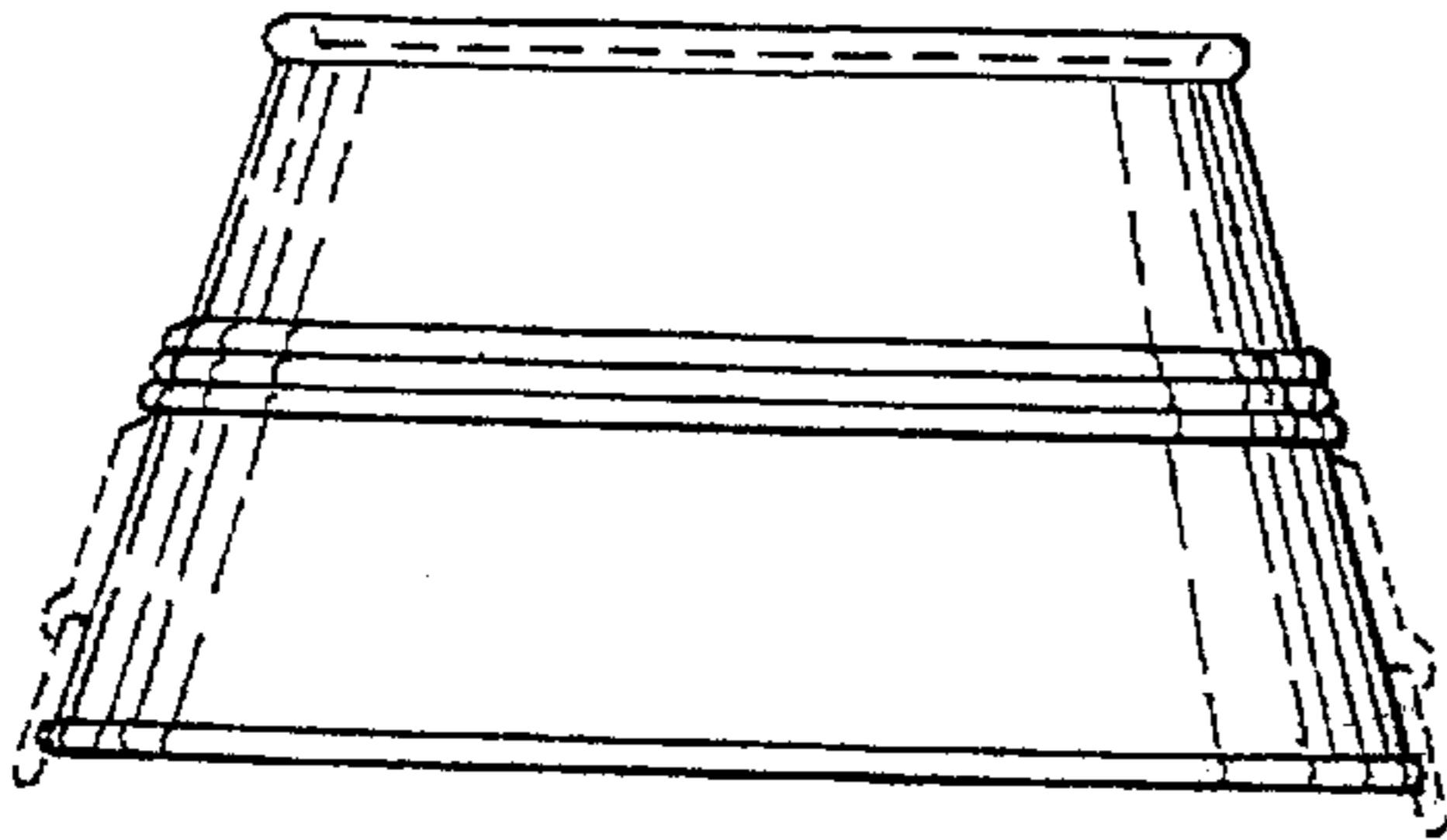


Fig. 4

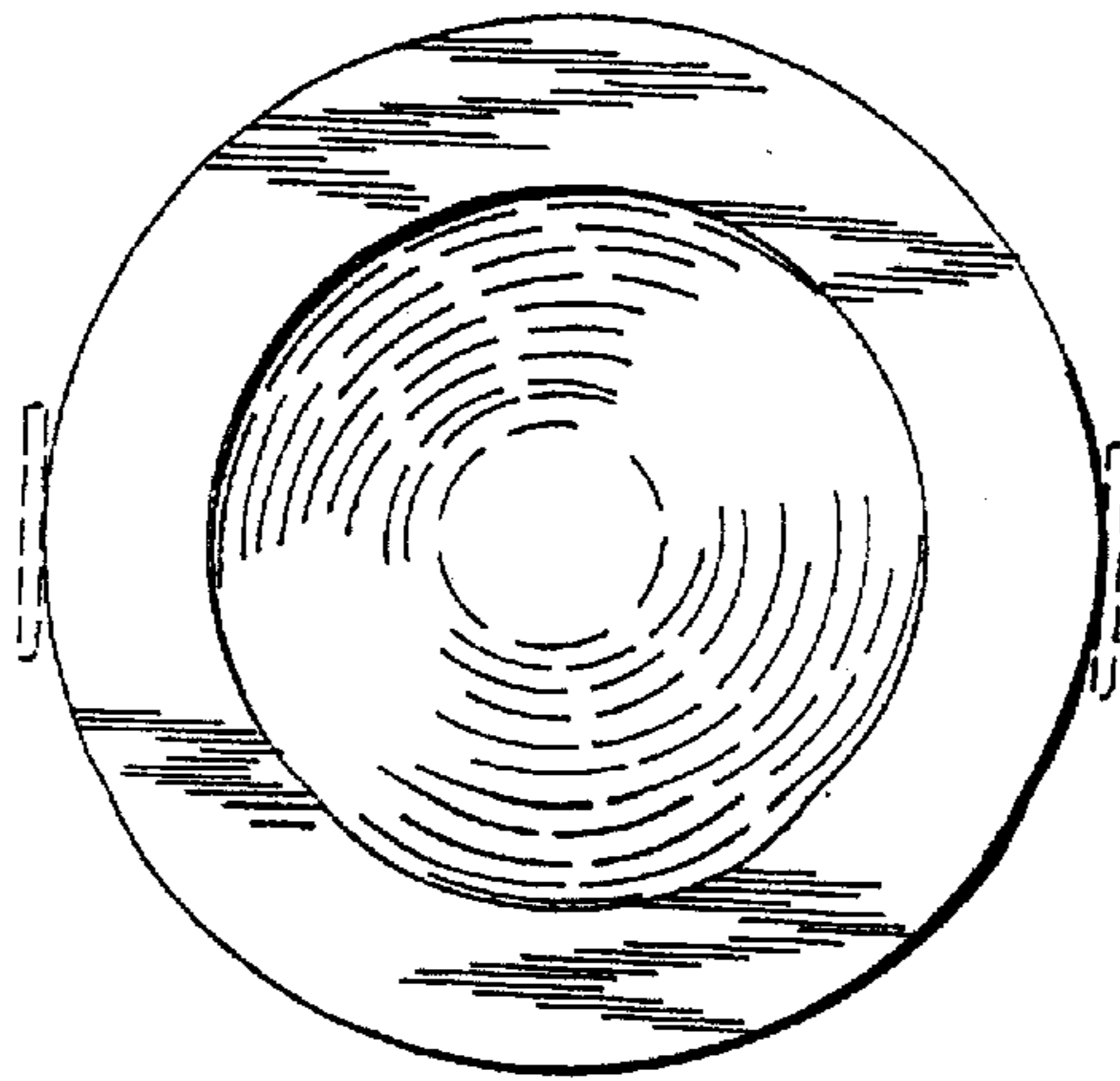


Fig. 5