



US00D413704S

# United States Patent [19] Metchear, III

[11] Patent Number: Des. 413,704

[45] Date of Patent: \*\* Sep. 7, 1999

[54] LIGHTED MAILBOX HOLDER

[76] Inventor: Charles R. Metchear, III, 5805  
Glencove Dr., Apt. 705, Naples, Fla.  
33963-3112

[\*\*] Term: 14 Years

[21] Appl. No.: 29/085,213

[22] Filed: Mar. 18, 1998

[51] LOC (6) Cl. .... 99-00

[52] U.S. Cl. .... D99/32; D99/29

[58] Field of Search ..... D99/29, 31, 32,  
D99/33, 43; D26/24, 67, 68, 34; D20/41;  
362/145, 157, 253, 267, 364; 232/17, 18,  
19, 20, 39

[56] **References Cited**

**U.S. PATENT DOCUMENTS**

D. 196,137	8/1963	Mackay	.....	D26/24
D. 356,423	3/1995	Kresin	.	
D. 360,741	7/1995	Bohlmann	.	
D. 372,320	7/1996	Brady	.....	D26/68

D. 385,684	10/1997	Petersen	.....	D99/32
D. 390,328	2/1998	Barton, Jr.	.....	D99/32
3,909,819	9/1975	Radford	.	
5,071,063	12/1991	Overstreet	.	
5,143,285	9/1992	Wise	.	
5,362,019	11/1994	Swanson	.....	232/39 X
5,449,111	9/1995	Sauzedde et al.	.....	232/17

Primary Examiner—Paula A. Mortimer  
Attorney, Agent, or Firm—Lahive & Cockfield, LLP

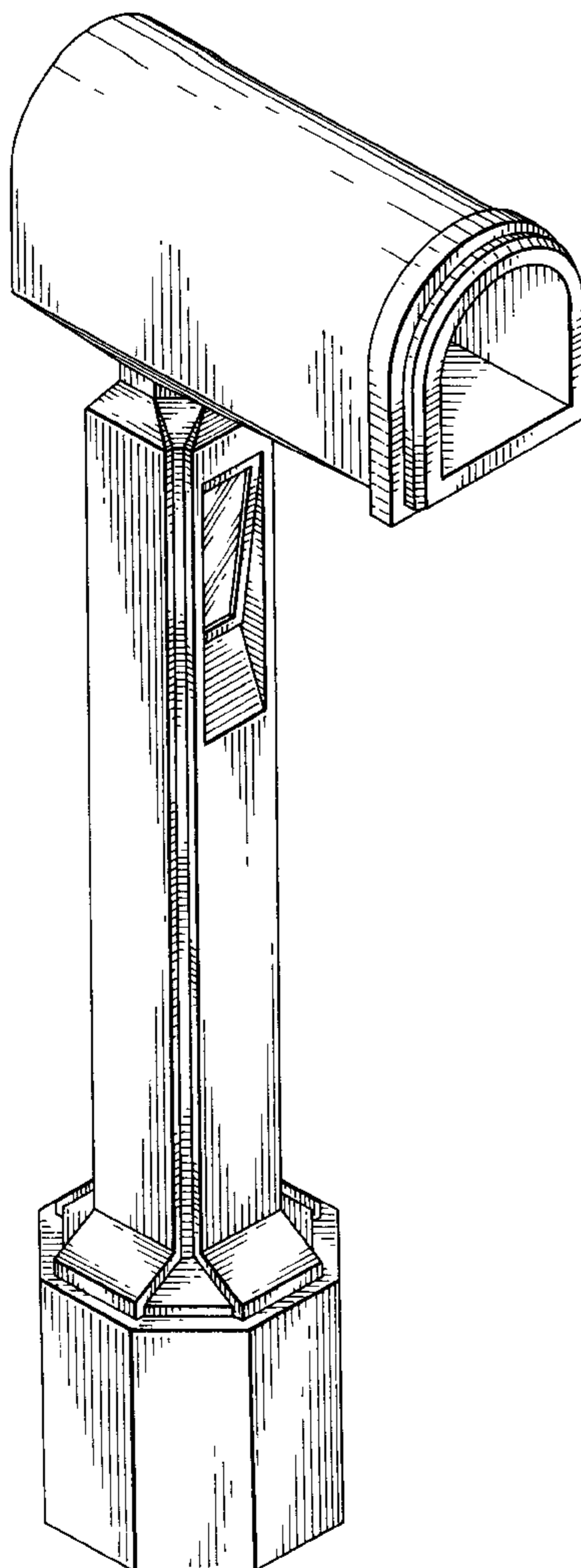
[57] **CLAIM**

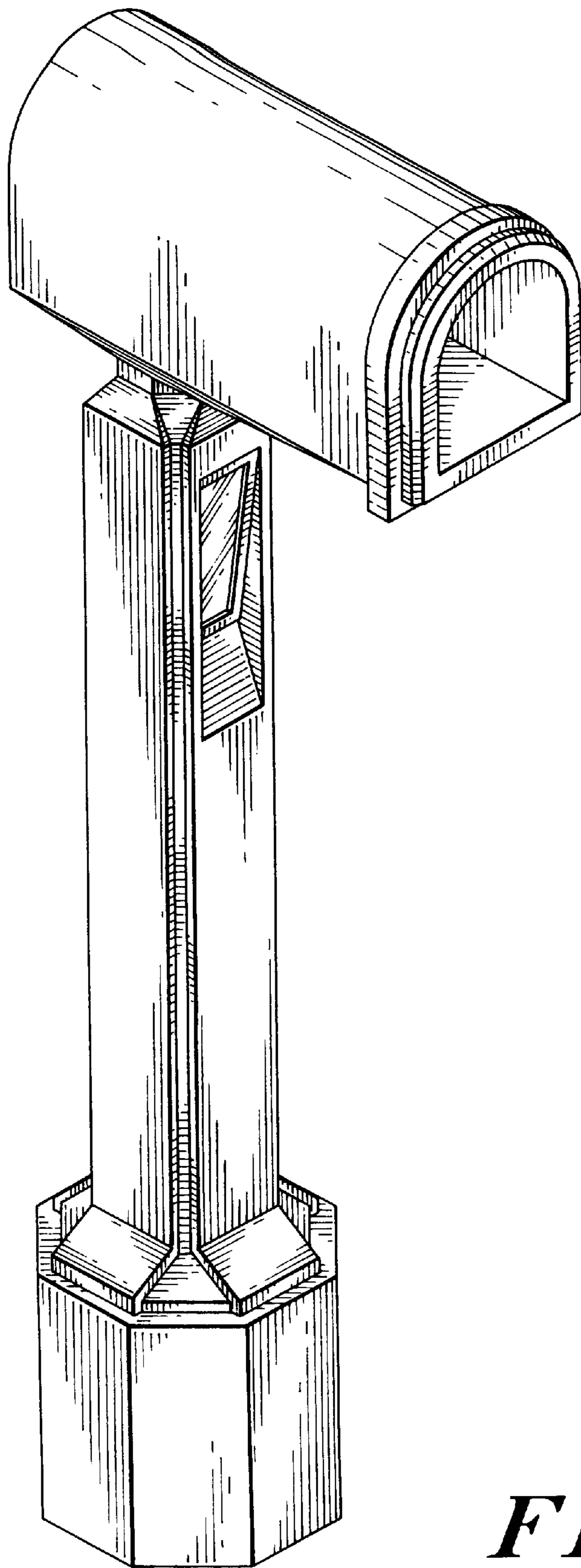
The ornamental design for a lighted mailbox holder, as shown and described.

**DESCRIPTION**

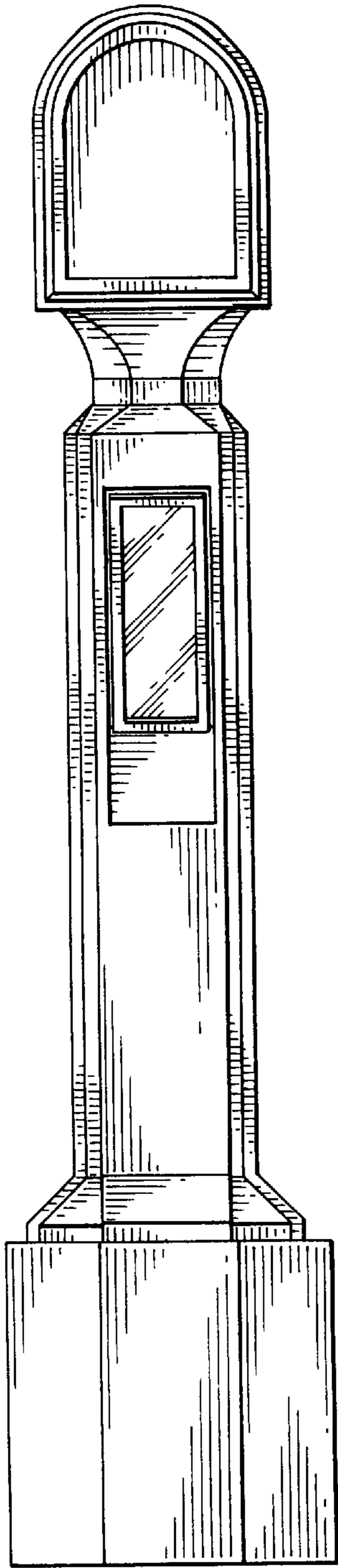
FIG. 1 is a left front perspective view of a lighted mailbox holder showing my new design; FIG. 2 is a front elevational view thereof; FIG. 3 is a top plan view thereof; FIG. 4 is a bottom plan view thereof; FIG. 5 is a rear elevational view thereof; and, FIG. 6 is a left elevational view thereof, the right side of which is a mirror to the left side view.

**1 Claim, 3 Drawing Sheets**

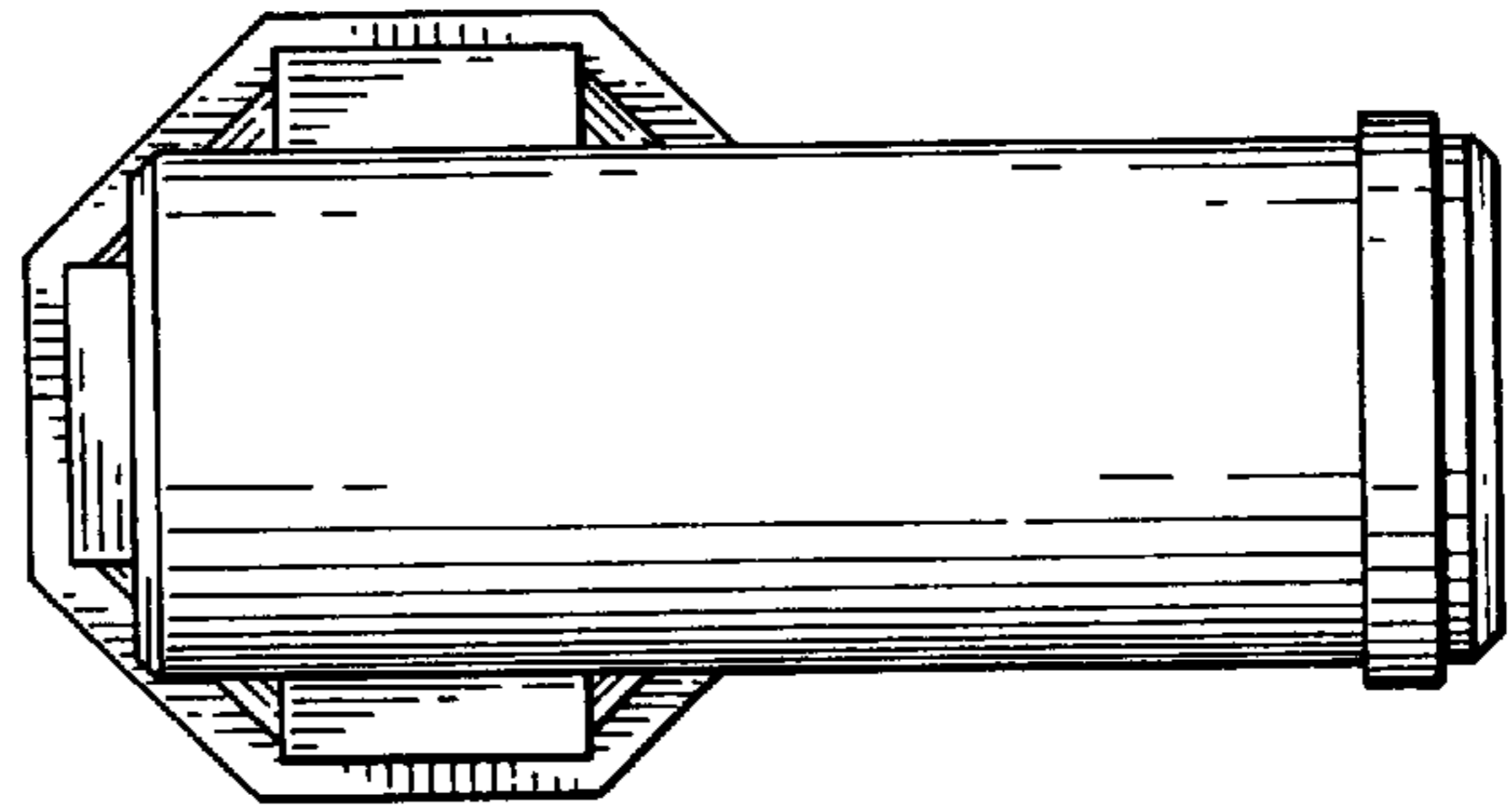




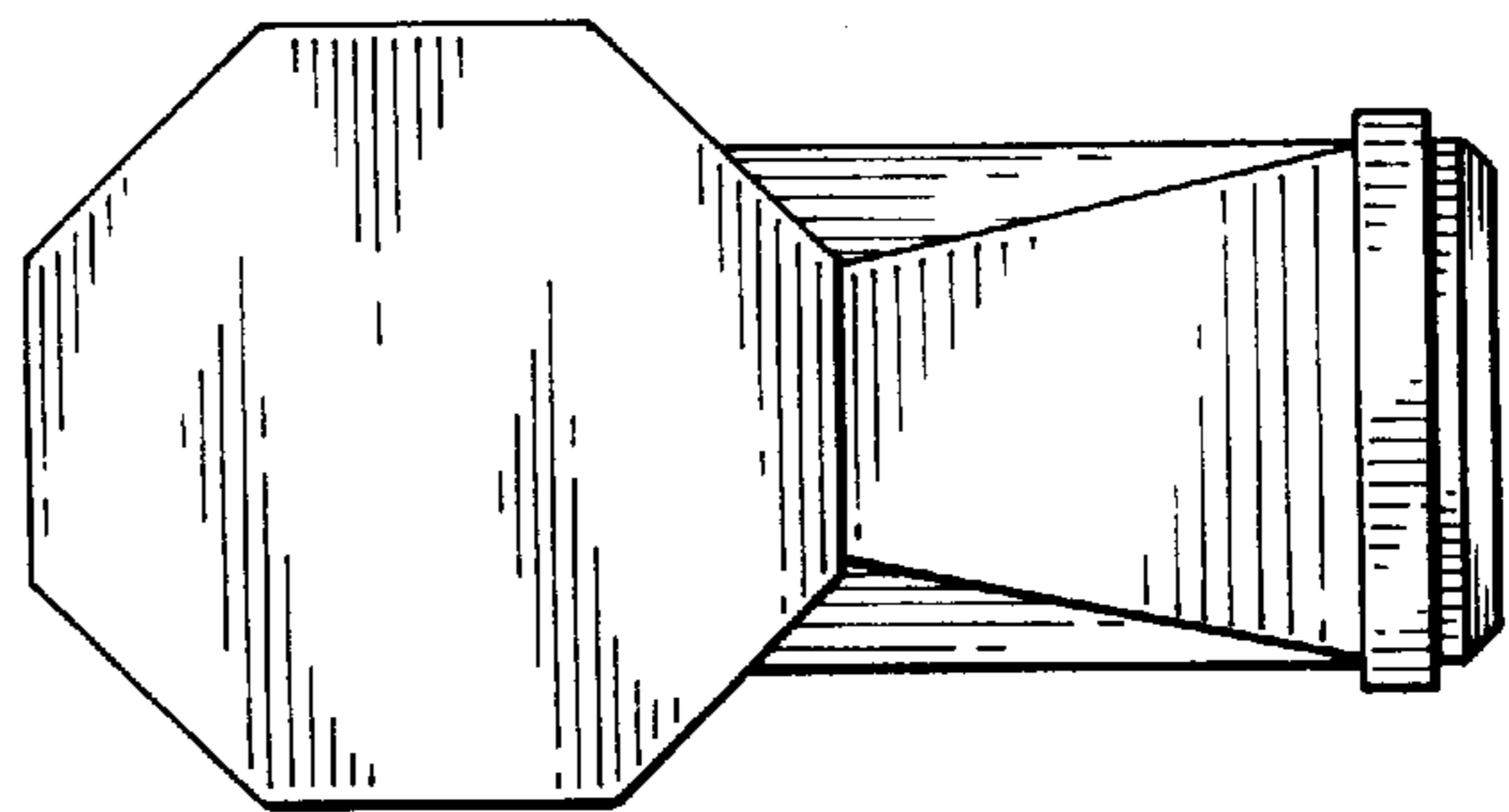
*FIG. 1*



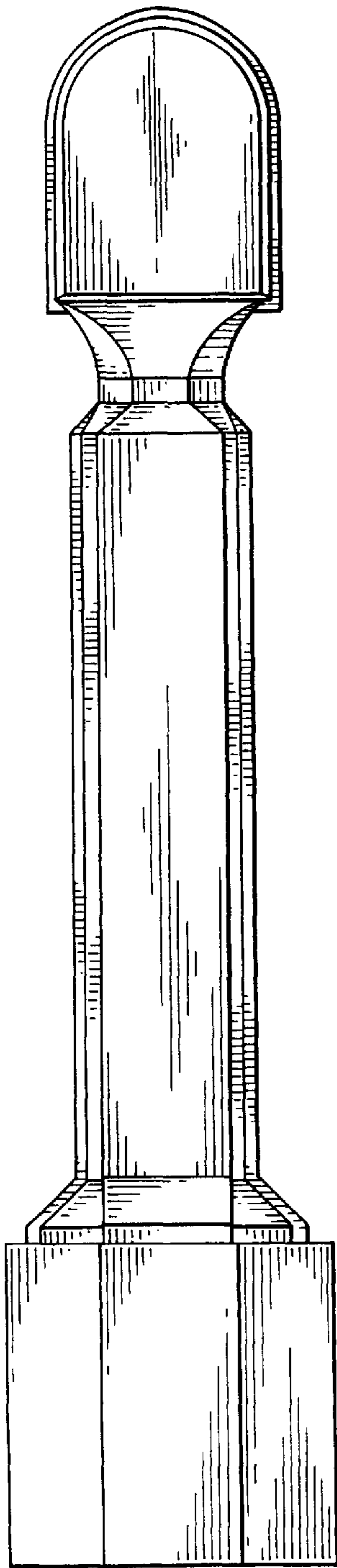
*FIG. 2*



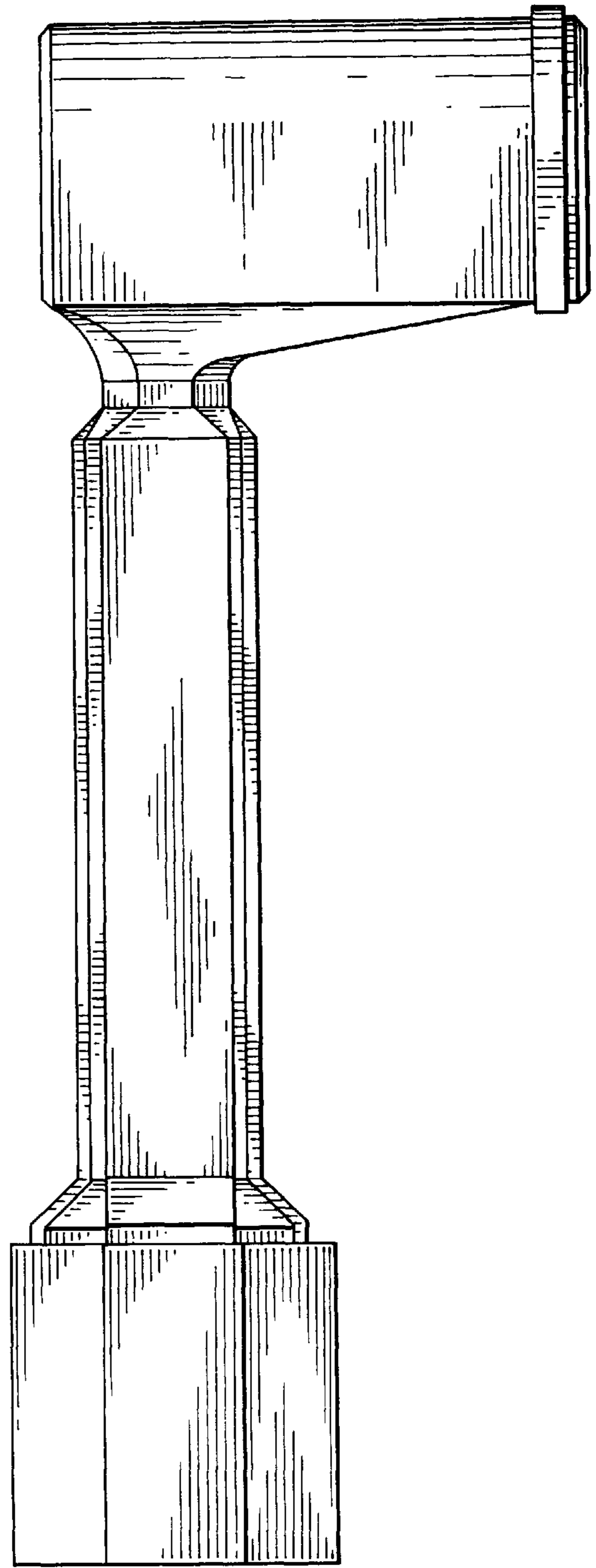
*FIG. 3*



*FIG. 4*



***FIG. 5***



***FIG. 6***