



US00D413703S

# United States Patent [19] Riga

[11] Patent Number: Des. 413,703

[45] Date of Patent: \*\* Sep. 7, 1999

[54] BIER FOR CASKET DISPLAY

[75] Inventor: Dennis J. Riga, New Albany, Ohio

[73] Assignee: The York Group, Houston, Tex.

[\*\*] Term: 14 Years

[21] Appl. No.: 29/065,739

[22] Filed: Jan. 23, 1997

[51] LOC (6) Cl. .... 99-00

[52] U.S. Cl. .... D99/9

[58] Field of Search ..... D99/1, 2, 4, 8,  
D99/9, 10; 27/1, 2, 7, 8, 32, 35; 254/279;  
D6/431, 436, 470, 480, 484

3,567,039	3/1971	Evans .
3,585,944	6/1971	Schoer .
3,676,905	7/1972	Mack .
4,139,929	2/1979	Angermann ..... 27/35
4,891,897	1/1990	Gieske et al. .
4,998,388	3/1991	Englehart .
5,197,169	3/1993	Gordon .
5,370,249	12/1994	Harvey et al. .
5,404,627	4/1995	Shepherd .
5,405,017	4/1995	Szabo, Sr. et al. .
5,495,954	3/1996	Schmit .
5,524,394	6/1996	Szabo, Sr. et al. .
5,533,241	7/1996	McConnell .
5,586,376	12/1996	Enneking et al. .
5,622,010	4/1997	Weber .

### OTHER PUBLICATIONS

Gondola display stands at the top left and center of Uniweb Catalog, p. 27, 1985–1986.

Casket, New York and Brooklyn Casket Co., p. 46, Oct. 1924.

Quarter coffin designs practiced in France (photos attached), available prior to Jan. 24, 1997.

*Primary Examiner*—Paula A. Mortimer  
*Attorney, Agent, or Firm*—Locke Liddell & Sapp LLP

### [56] References Cited

#### U.S. PATENT DOCUMENTS

D. 25,498	5/1896	Ripson .....	D99/1
D. 48,928	4/1916	Clark .	
D. 166,620	4/1952	Petrone .....	D6/431
D. 218,890	10/1970	Kreminski .	
256,472	4/1882	Everhard .....	27/32 X
D. 257,183	9/1980	Bruce et al. .	
D. 350,246	9/1994	Louise et al. .	
D. 351,076	10/1994	Elidis et al. .	
D. 354,825	1/1995	Parker .	
D. 381,693	7/1997	Thompson .	
518,335	4/1894	Sherman .	
1,134,719	4/1915	Benzing .	
1,169,157	1/1916	Honold .	
1,675,362	7/1928	Ledyard et al. ....	254/279
1,821,760	9/1931	Leitch et al. .	
1,841,412	1/1932	Leicht .	
1,912,790	6/1933	Payne .	
1,966,751	7/1934	Brefeld .	
2,147,858	2/1939	Parker .....	254/279
2,762,106	9/1956	Wilkinson .....	27/35
2,937,768	5/1960	Davis .	
3,190,243	6/1965	Pira .	
3,504,409	4/1970	Keller, Jr. .	

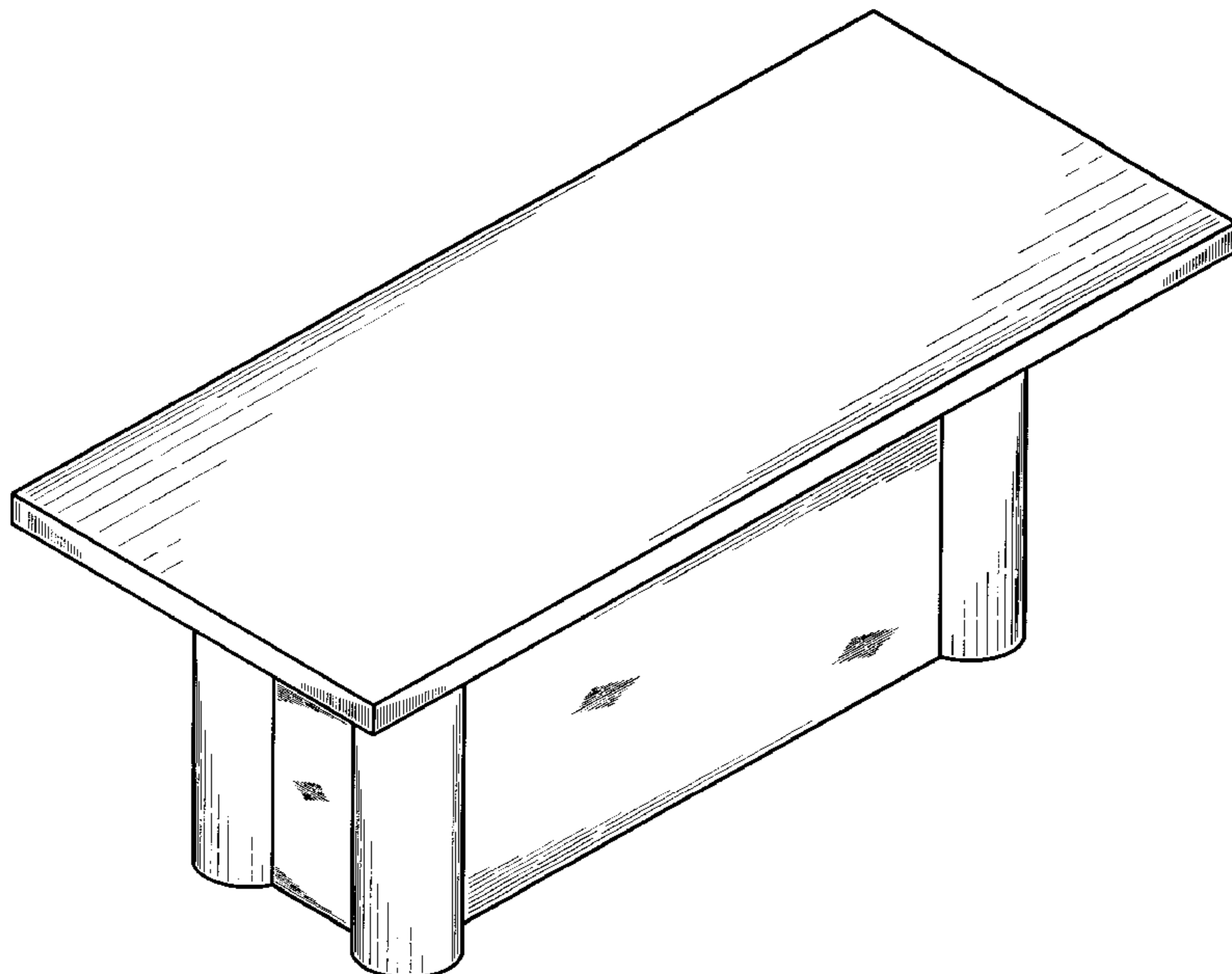
### [57] CLAIM

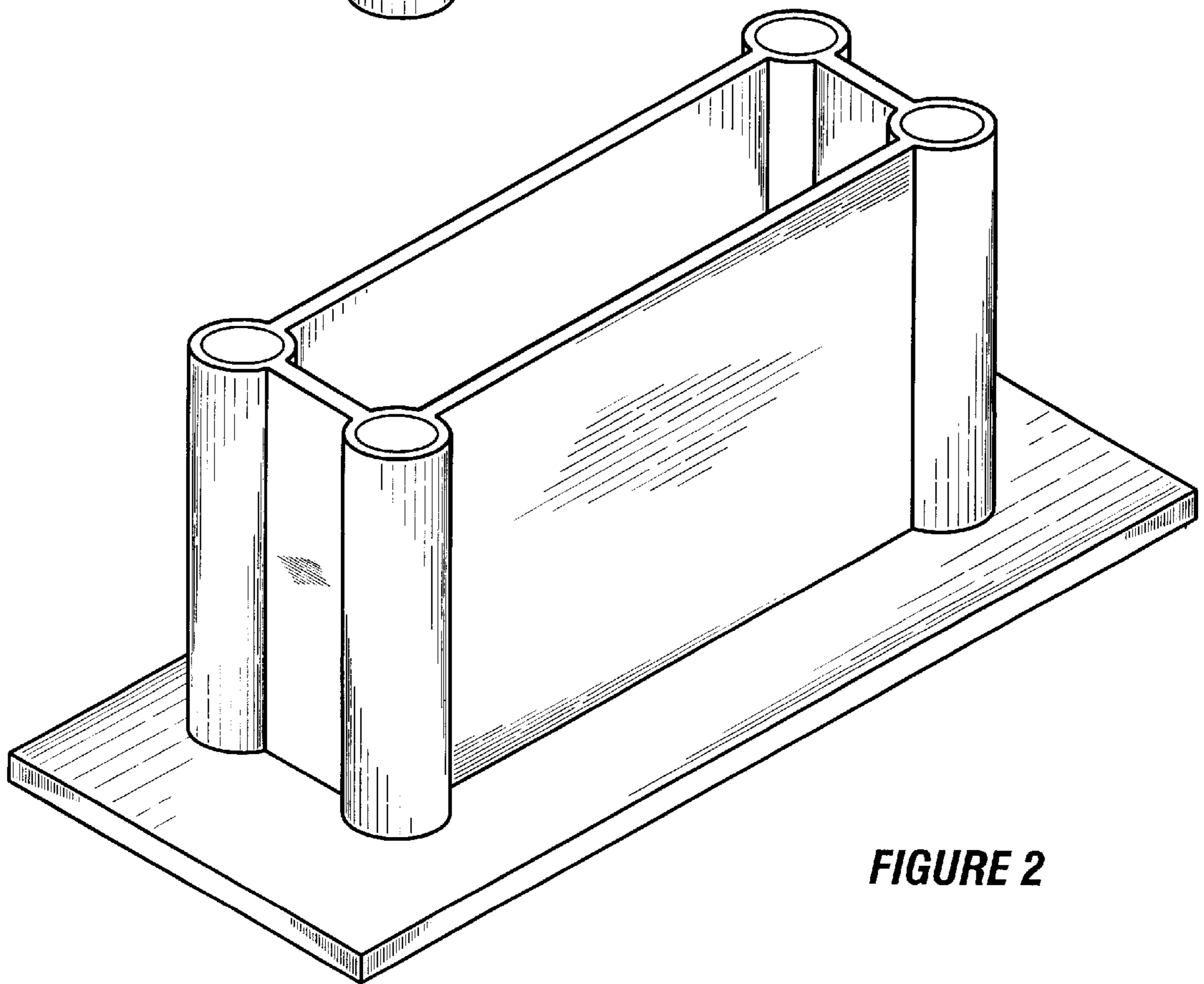
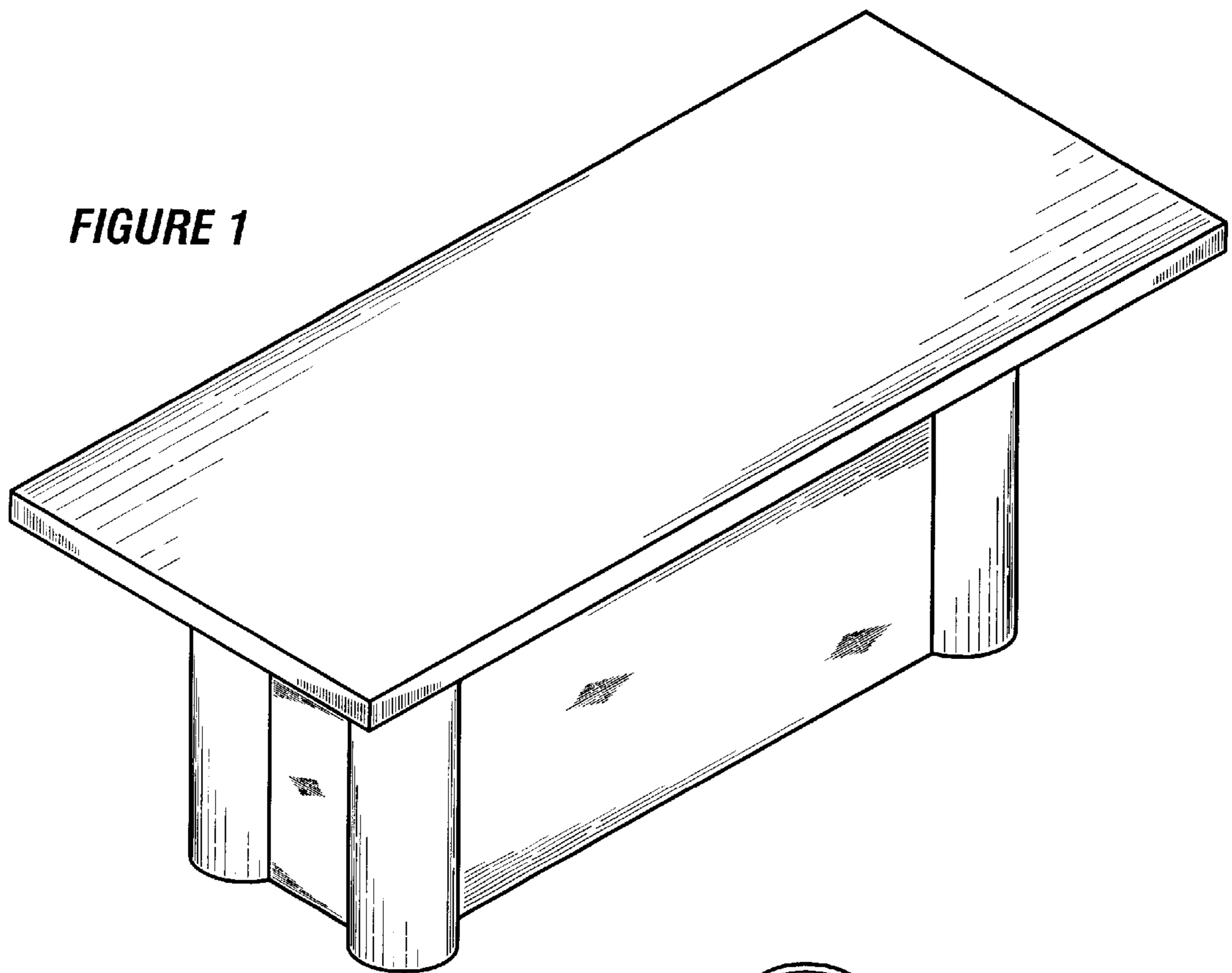
The ornamental design for a bier for casket display, as shown and described.

### DESCRIPTION

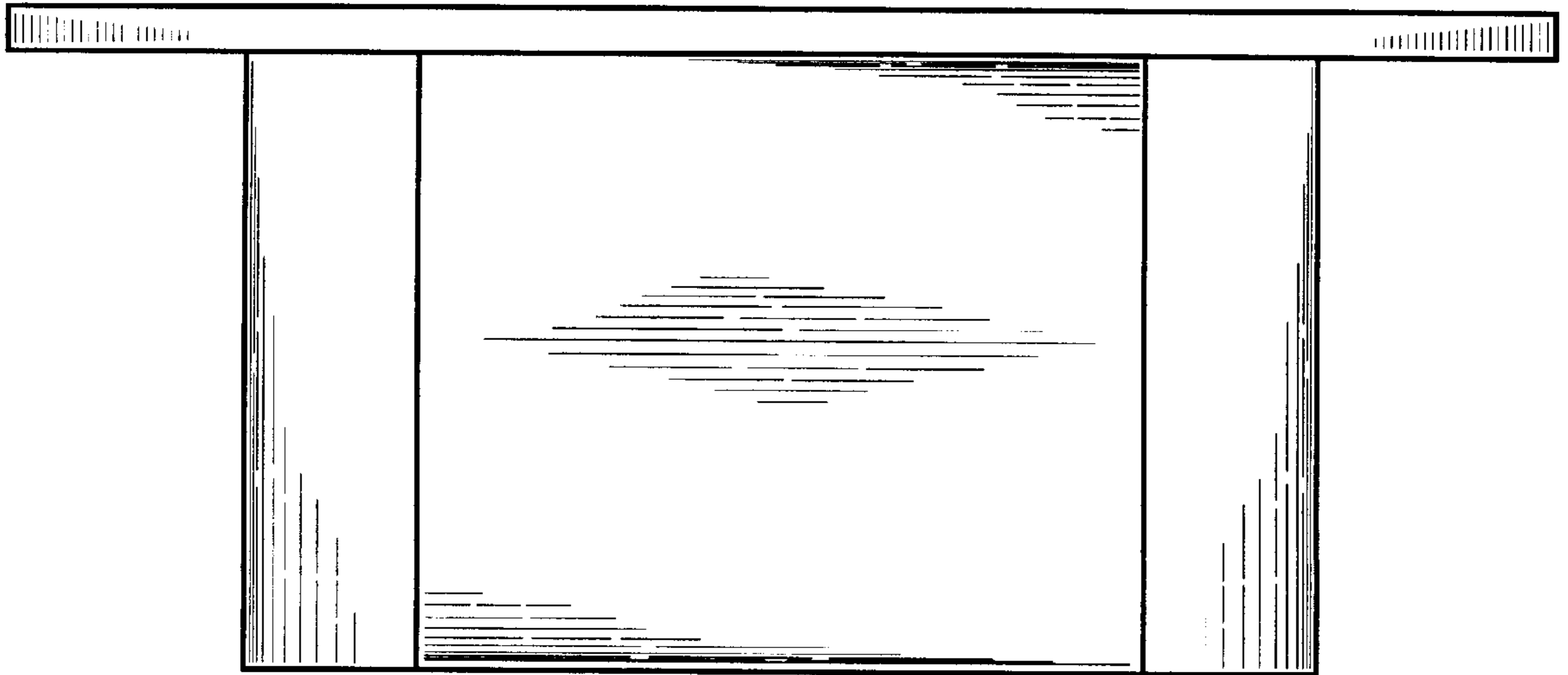
FIG. 1 is a front perspective view of a bier for casket display showing my new design;  
FIG. 2 is a bottom perspective view thereof;  
FIG. 3 is a side elevational view thereof, the opposite side is a mirror image;  
FIG. 4 is an end elevational view thereof, the opposite end is a mirror image; and,  
FIG. 5 is a bottom plan view thereof.

1 Claim, 3 Drawing Sheets

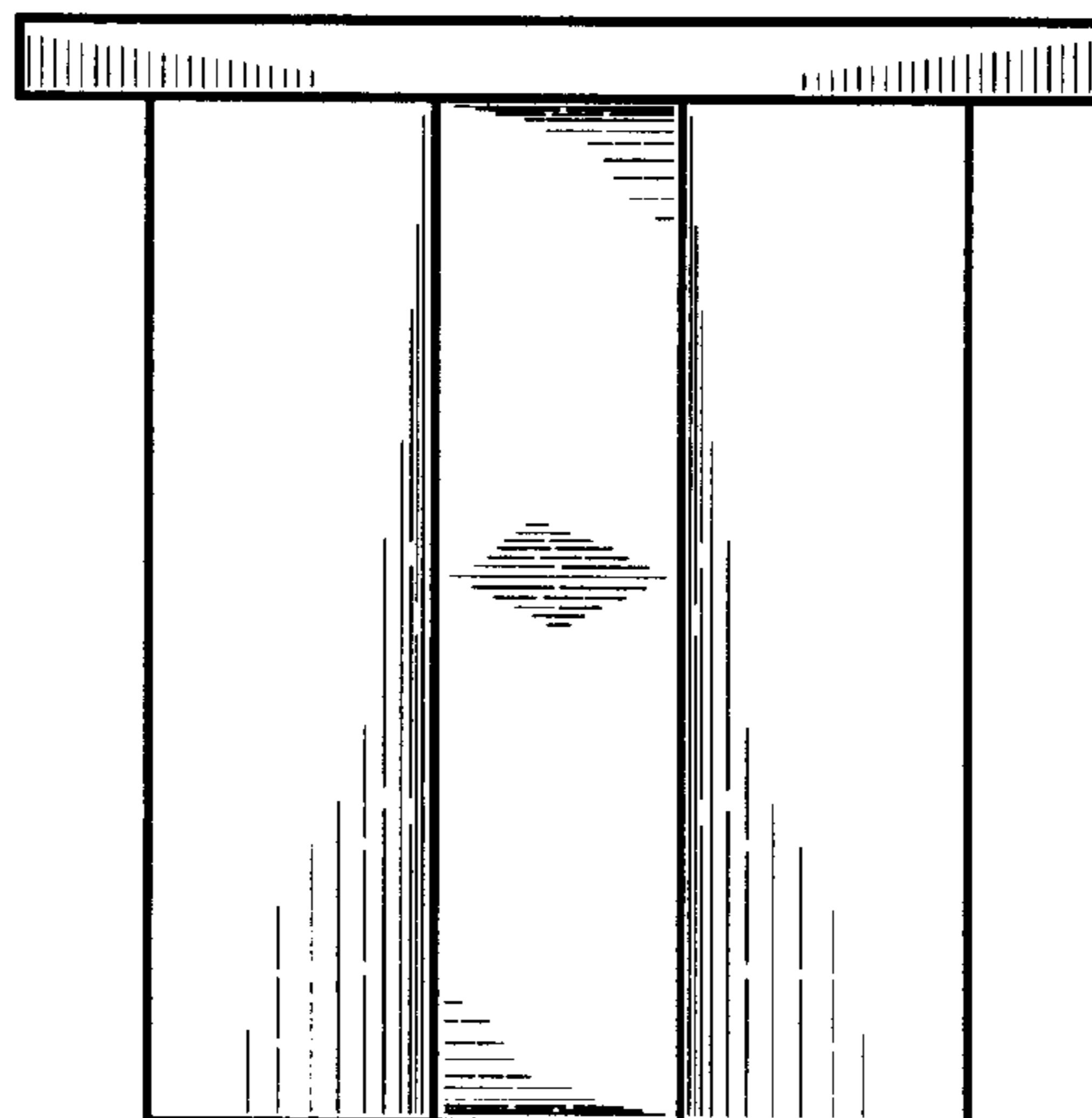




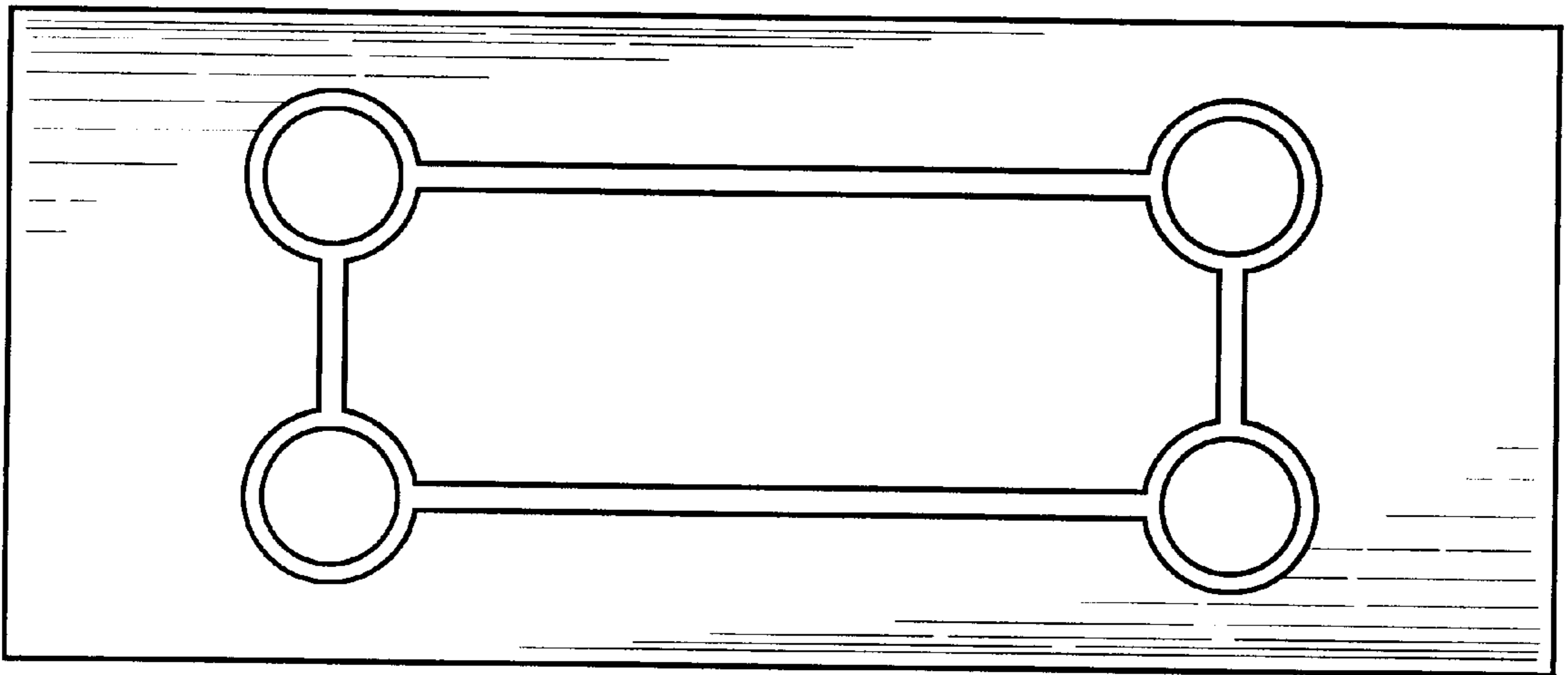
**FIGURE 2**



**FIGURE 3**



**FIGURE 4**



**FIGURE 5**