



US00D413702S

**United States Patent** [19]  
**Essary**

[11] **Patent Number: Des. 413,702**

[45] **Date of Patent: \*\* Sep. 7, 1999**

[54] **CRATE ASSEMBLY FOR PALLETS**

4,773,547 9/1988 Bell ..... 211/194  
5,242,255 9/1993 Gleffe et al. .... 108/53.1 X  
5,507,237 4/1996 Barrow et al. .... 108/56.1 X

[76] Inventor: **Mark S. Essary**, P.O. Box 1588,  
Laurel, Miss. 39441

[\*\*] Term: **14 Years**

*Primary Examiner*—Susan J. Lucas  
*Assistant Examiner*—Cynthia E. Ramirez  
*Attorney, Agent, or Firm*—Townsend and Townsend and  
Crew LLP

[21] Appl. No.: **29/088,361**

[22] Filed: **May 21, 1998**

[57] **CLAIM**

[51] **LOC (6) Cl.** ..... **09-08**

The ornamental design for a crate assembly for pallets, as shown and described.

[52] **U.S. Cl.** ..... **D34/38**

[58] **Field of Search** ..... D34/38; 211/188,  
211/186, 194; 108/56.3, 53.1, 52.1, 56.1,  
51.1

**DESCRIPTION**

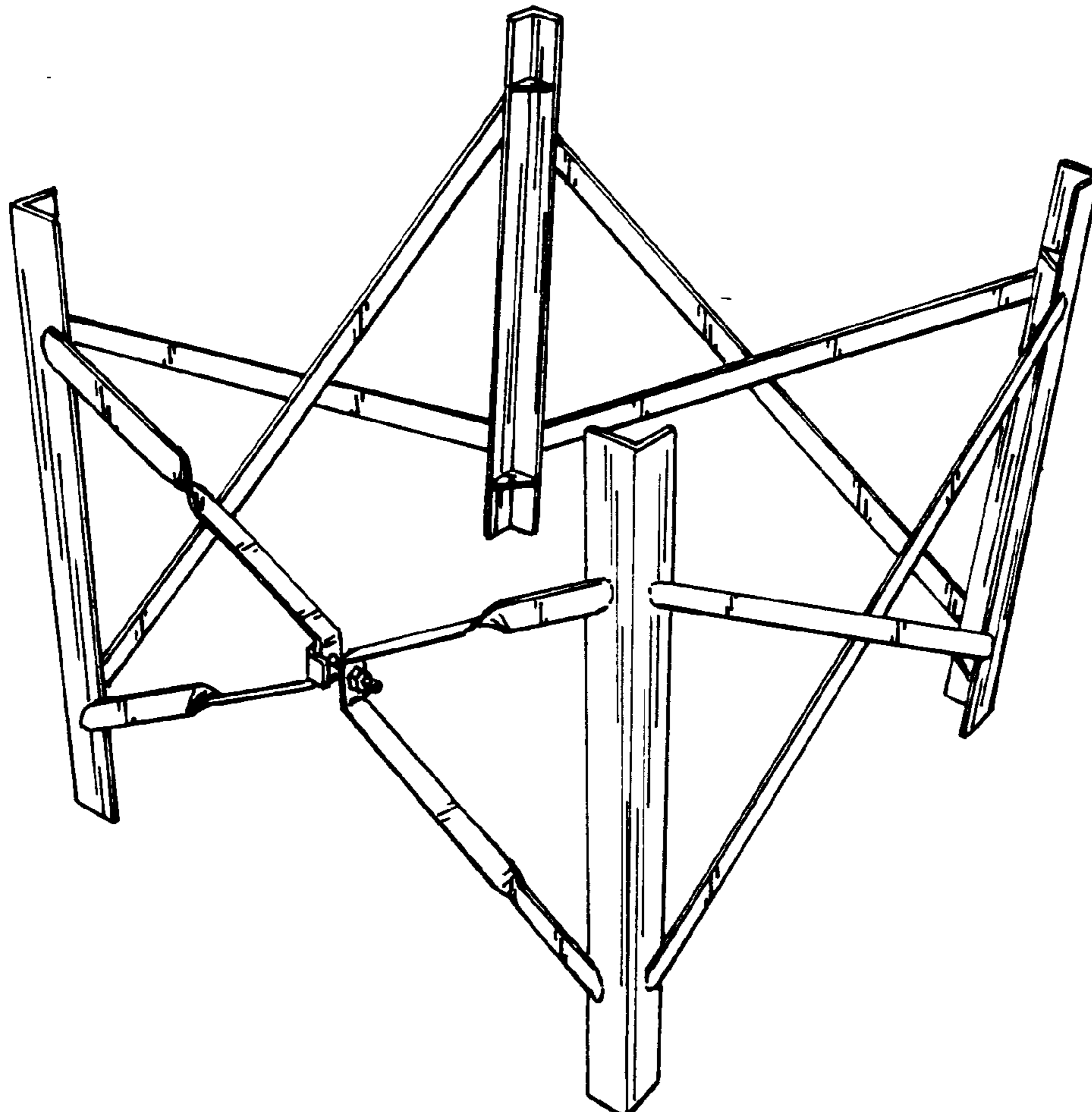
[56] **References Cited**

**U.S. PATENT DOCUMENTS**

2,870,980	1/1959	Higgins et al. ....	108/53.1
3,140,673	7/1964	Williams .....	211/188
3,485,381	12/1969	Grubb et al. ....	211/186
3,894,634	7/1975	Gotham et al. ....	211/186
3,994,241	11/1976	Evans .....	108/53.1
4,349,213	9/1982	Hirsch .....	211/186 X
4,703,702	11/1987	Speicher .....	108/56.3
4,757,769	7/1988	Suttles .....	211/188 X

FIG. 1 is a front perspective view of the crate assembly for pallets;  
FIG. 2 is a rear perspective view of the crate assembly for pallets;  
FIG. 3 is a top plan view thereof;  
FIG. 4 is a front elevational view thereof;  
FIG. 5 is a right side elevational view thereof;  
FIG. 6 is a left elevational view thereof;  
FIG. 7 is a rear elevational view thereof; and,  
FIG. 8 is a bottom plan view thereof.

**1 Claim, 4 Drawing Sheets**



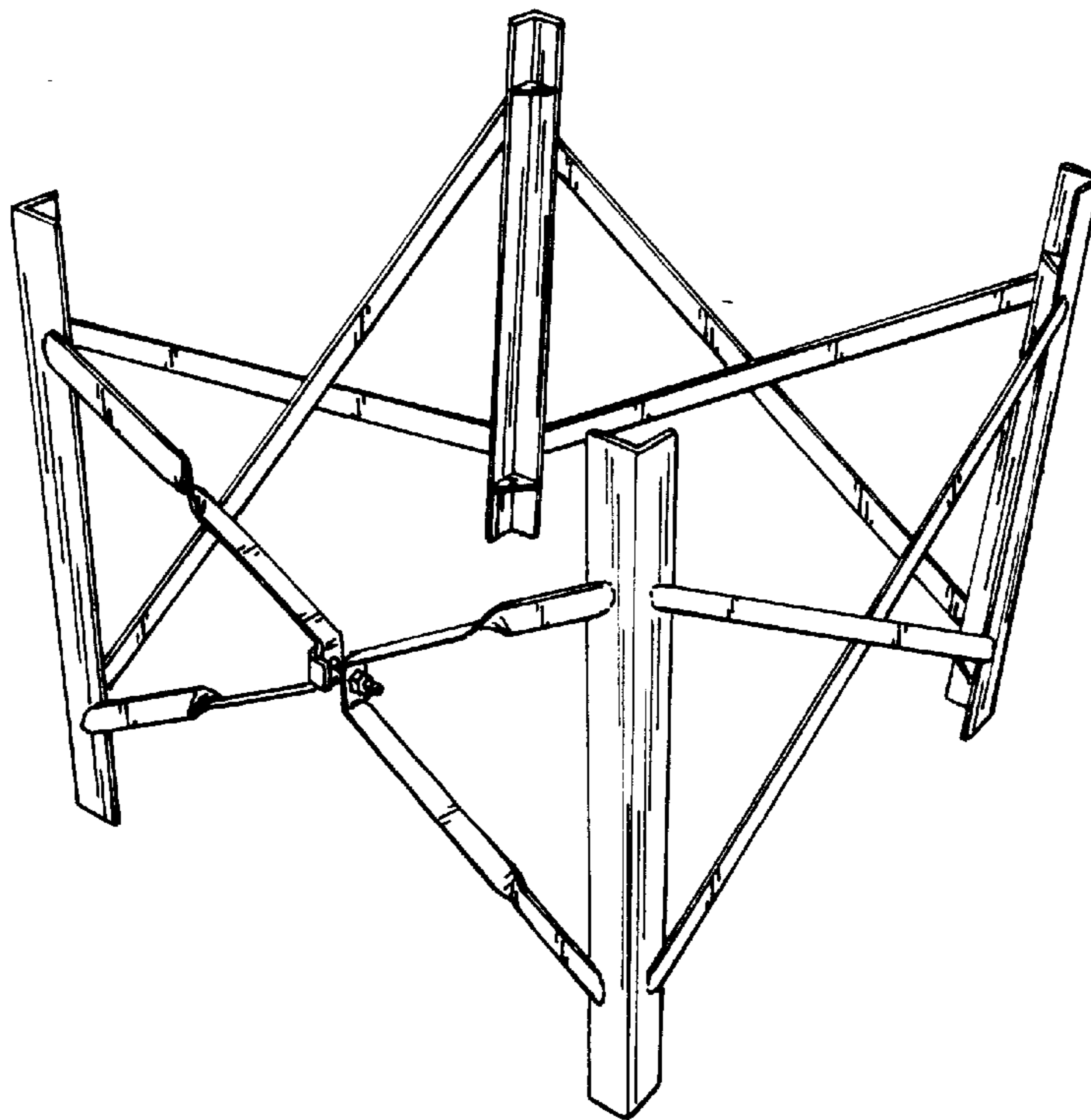


FIG. 1.

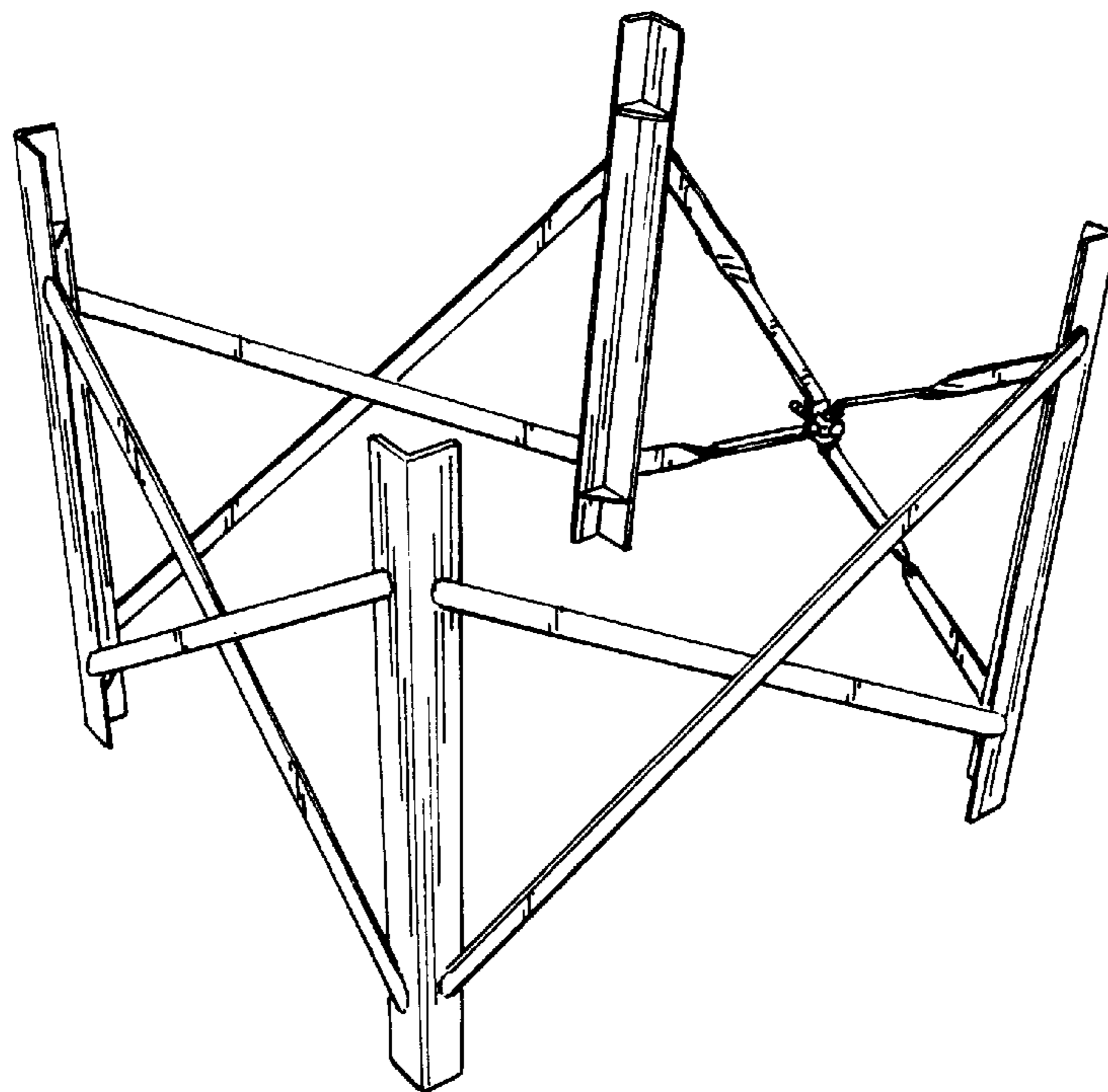
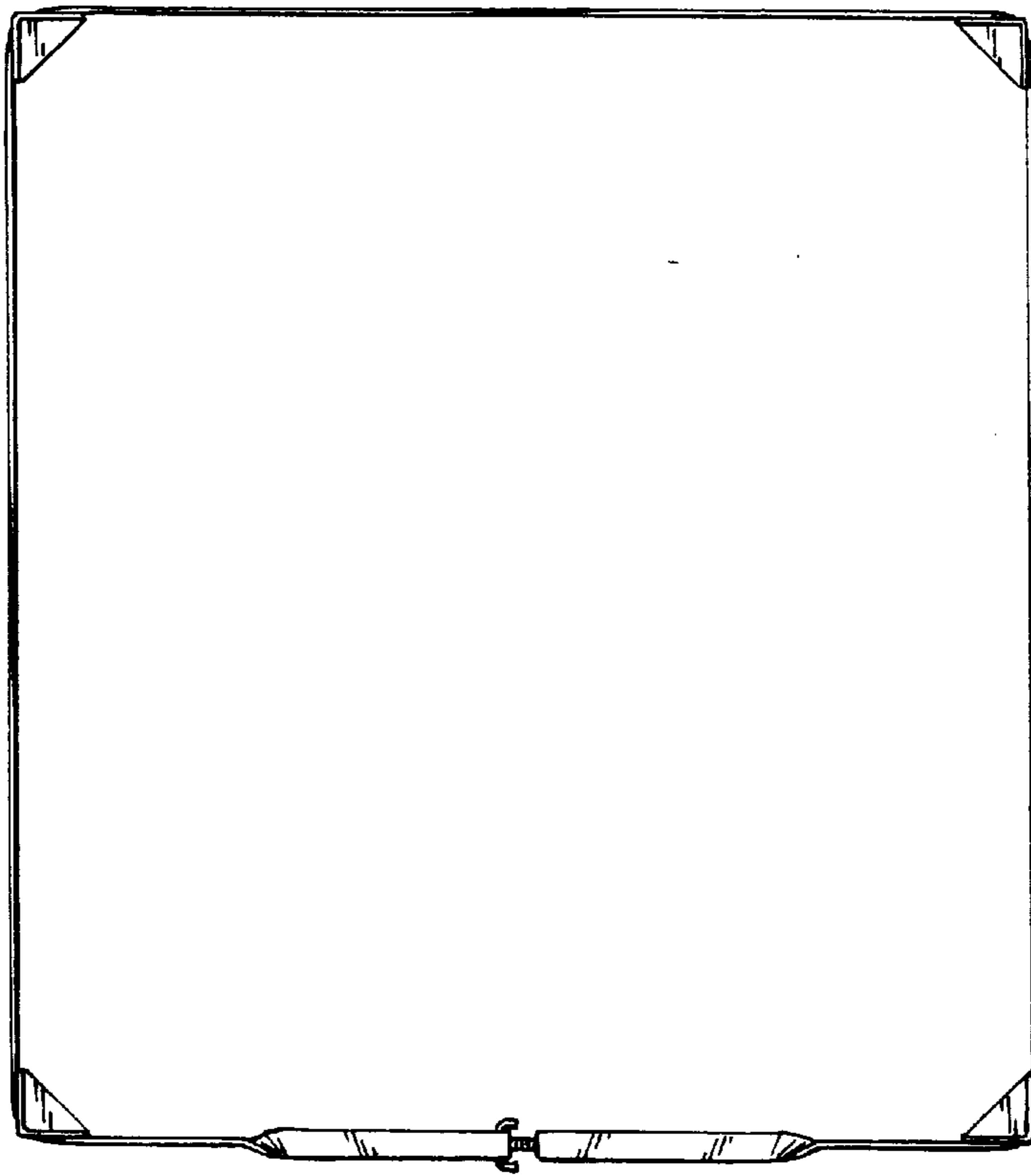
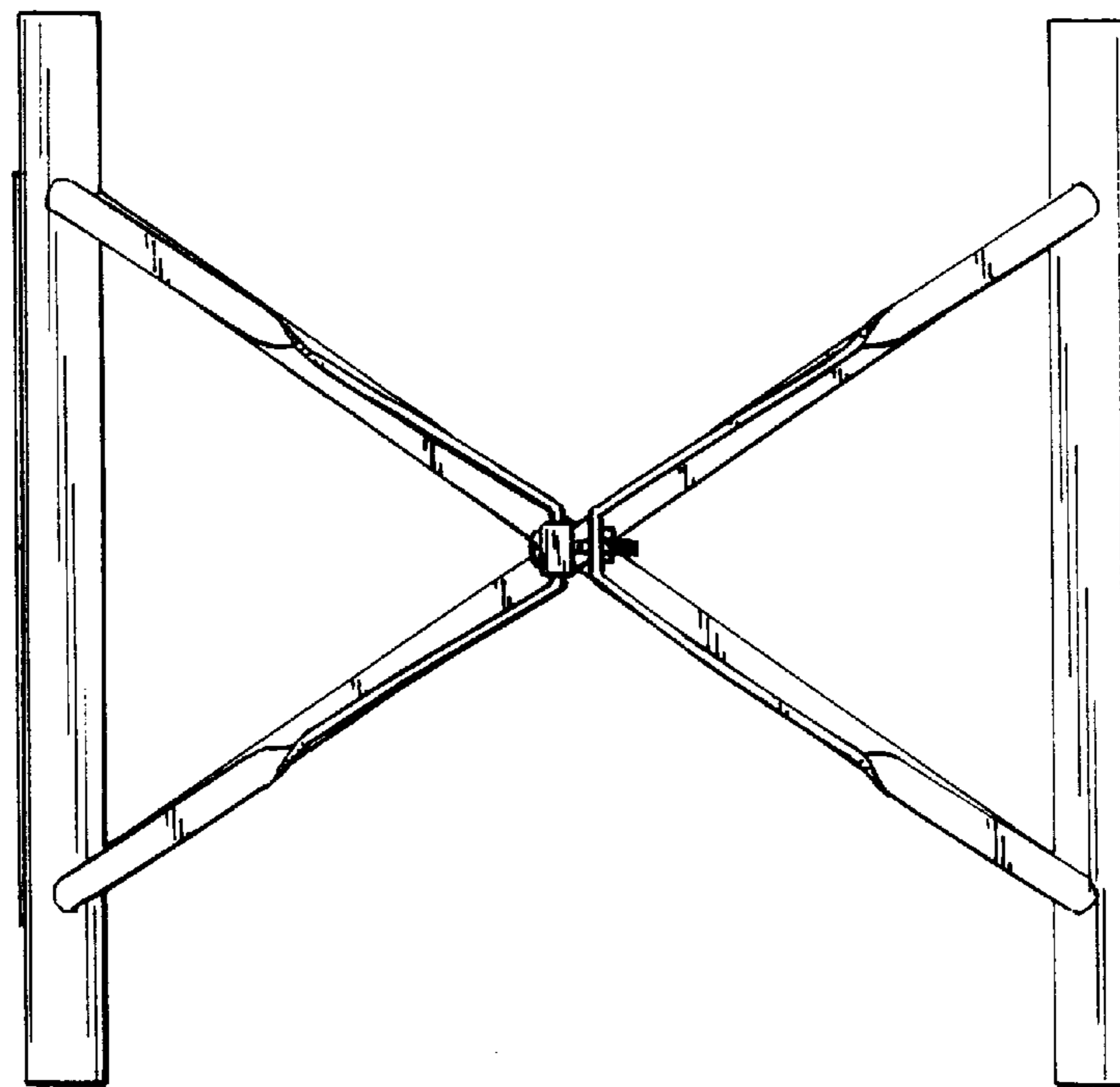


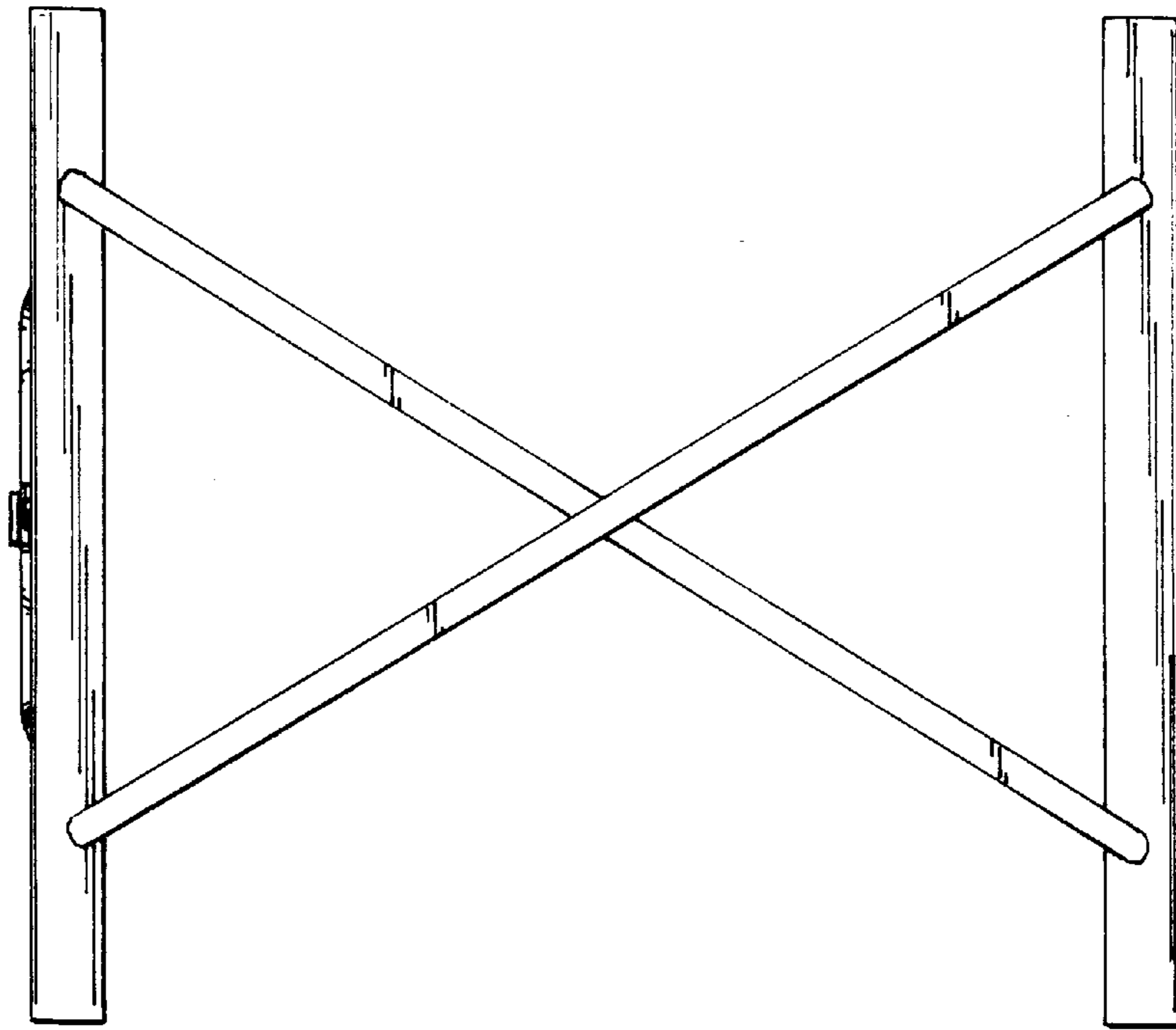
FIG. 2.



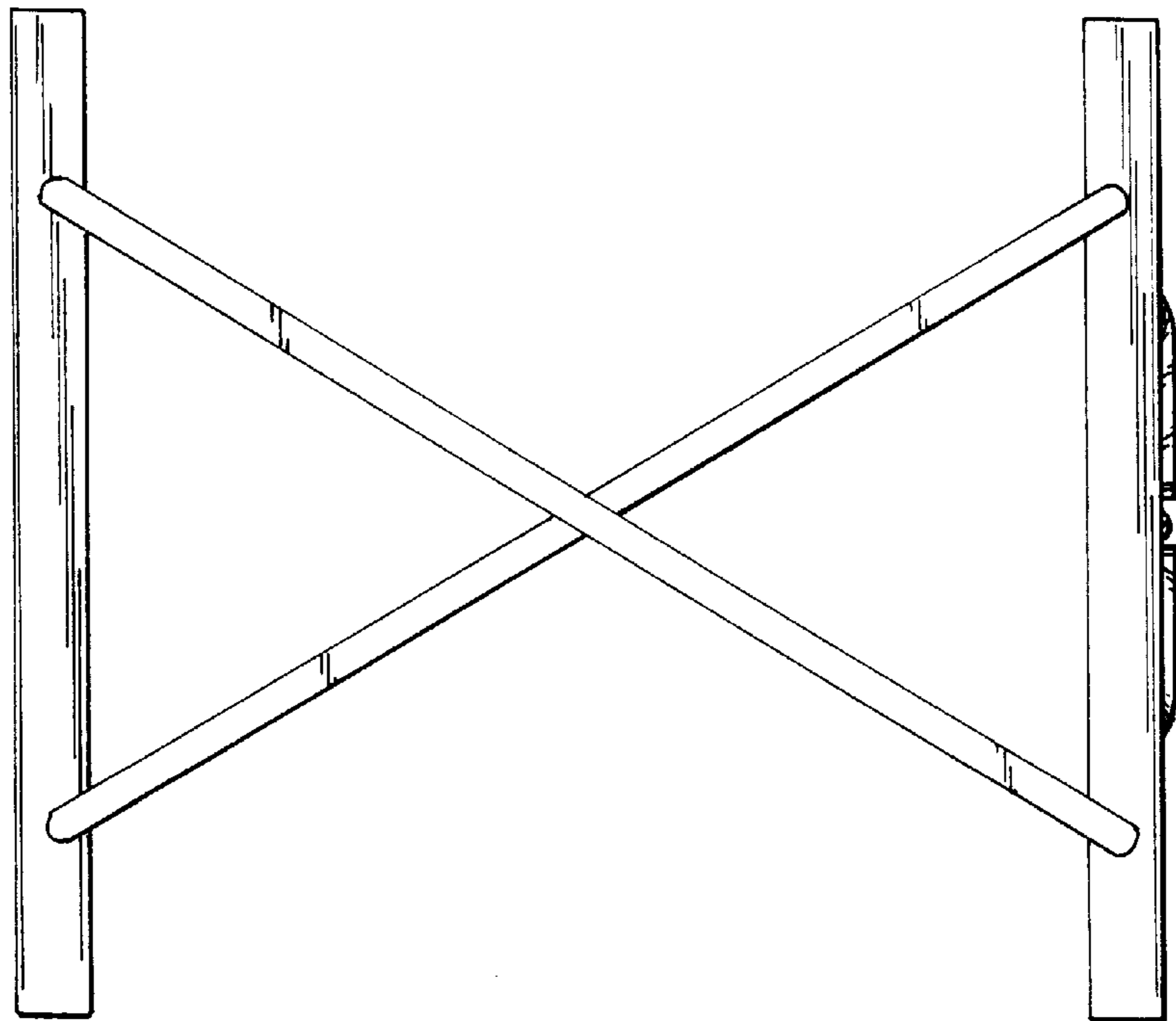
*FIG. 3.*



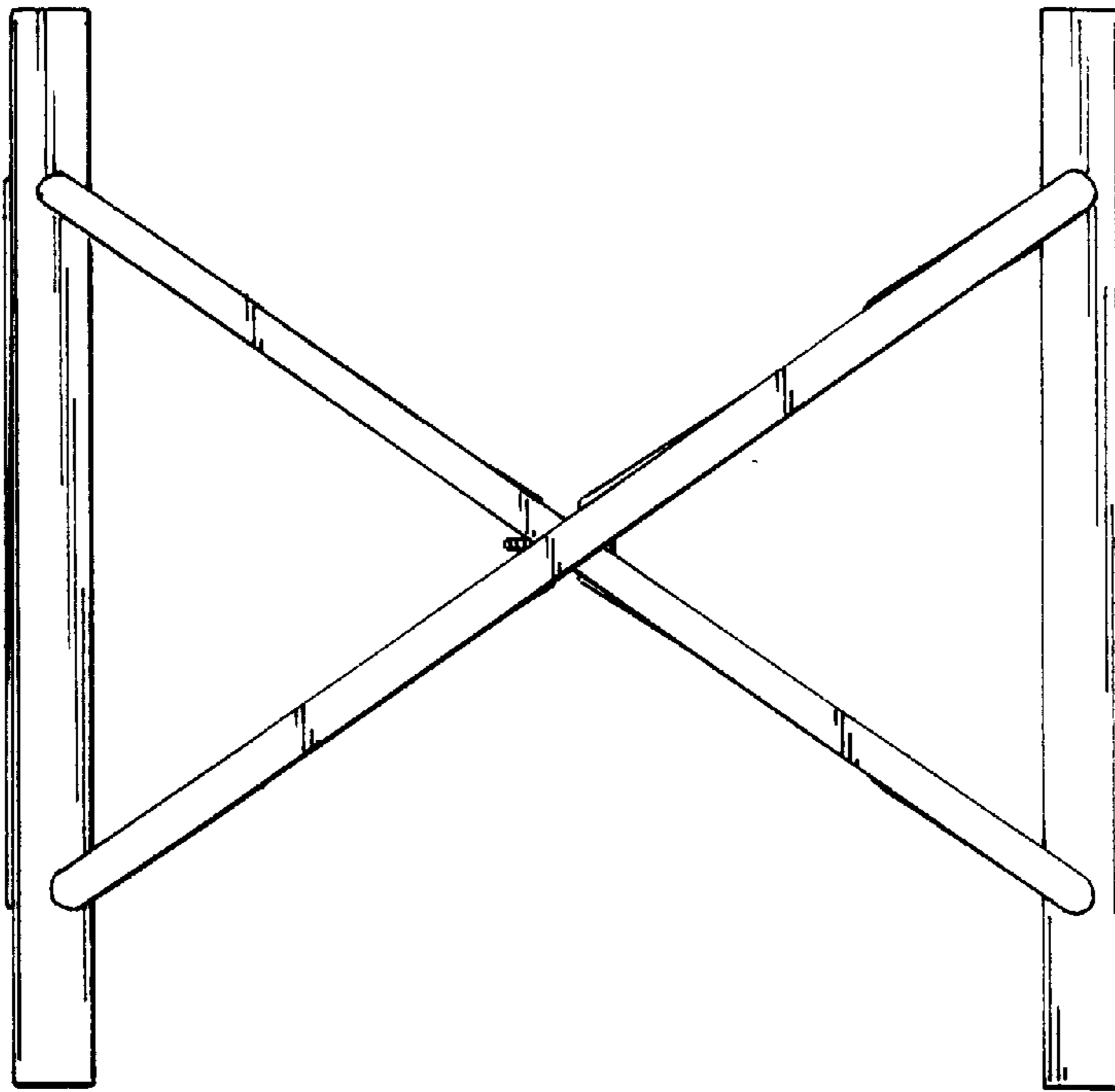
*FIG. 4.*



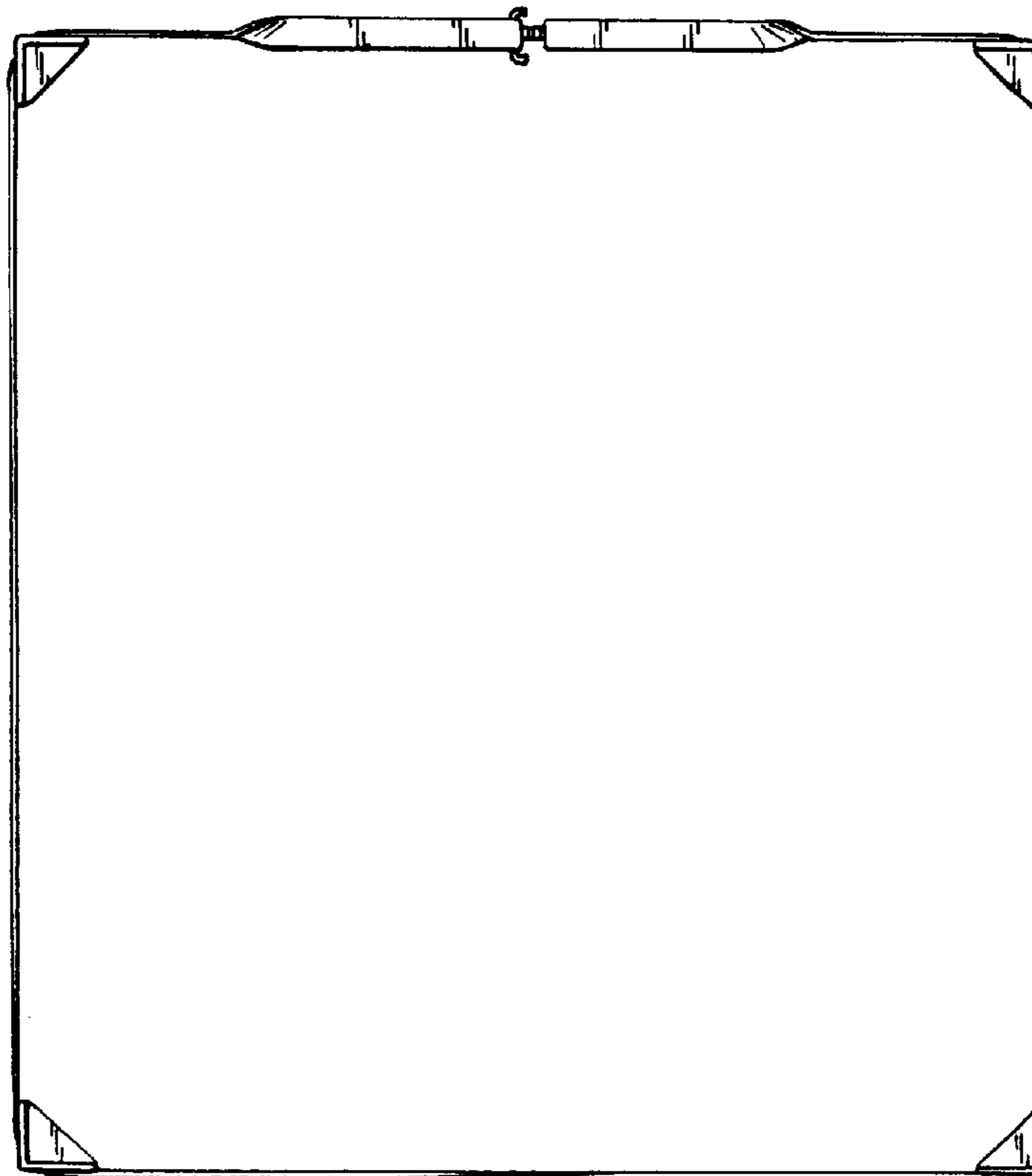
*FIG. 5.*



*FIG. 6.*



*FIG. 7.*



*FIG. 8.*