



US00D413700S

United States Patent [19]
Wang

[11] **Patent Number: Des. 413,700**

[45] **Date of Patent: ** Sep. 7, 1999**

[54] **COMBINATIONAL TABLEWARE RACK**

[76] Inventor: **Simon Wang**, No. 312, Yung-An St.,
Tainan, Taiwan

[**] Term: **14 Years**

[21] Appl. No.: **29/095,248**

[22] Filed: **Oct. 20, 1998**

[51] **LOC (6) Cl.** **07-05**

[52] **U.S. Cl.** **D32/55**

[58] **Field of Search** D32/55, 58, 51,
D32/56; D6/462; 220/571, 572, 587, 488,
487; 4/637, 656; 108/16, 24

[56] **References Cited**

U.S. PATENT DOCUMENTS

D. 217,633	5/1970	Iorio	D32/55
D. 259,537	6/1981	Taylor	D32/55
D. 267,517	1/1983	Krucshe	D32/55
D. 321,771	11/1991	Civicchia	D32/55
D. 362,942	10/1995	Licari	D32/55
D. 362,943	10/1995	Licari	D32/55

D. 374,526 10/1996 Breen et al. D32/55

Primary Examiner—Susan J. Lucas
Assistant Examiner—Cynthia E. Ramirez
Attorney, Agent, or Firm—Rosenberg, Klein & Bilker

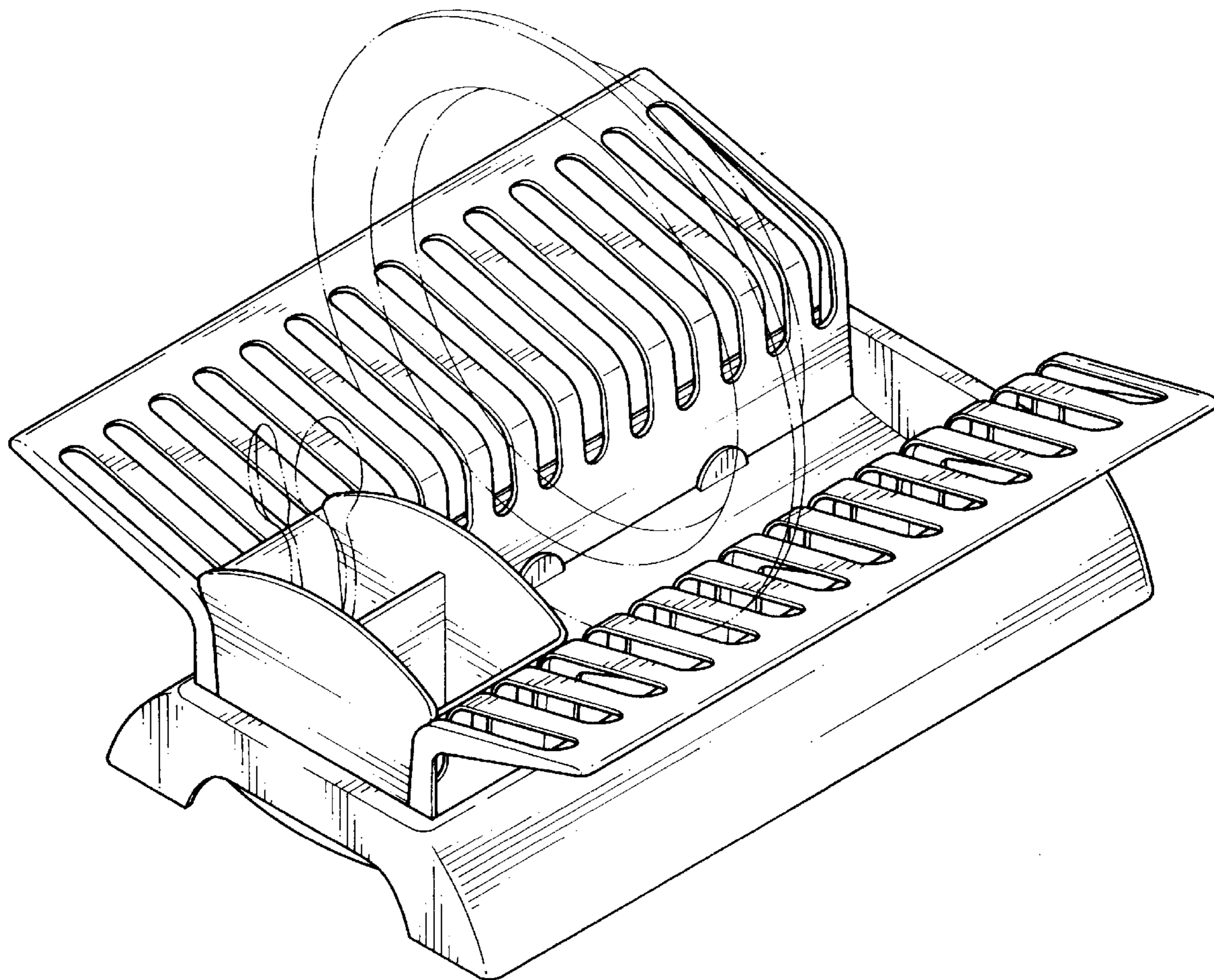
[57] **CLAIM**

The ornamental design for the combinational tableware rack, as shown and described.

DESCRIPTION

FIG. 1 is a perspective view of a combinational tableware rack showing my new design; FIG. 2 is a front view thereof; FIG. 3 is a rear view thereof; FIG. 4 is a left side view thereof; FIG. 5 is a right side view thereof; FIG. 6 is a top view thereof; FIG. 7 is a bottom view thereof; and, FIG. 8 is a view showing the application thereof, wherein the broken line portion is for illustrative purpose only and forms no part of the claimed design.

1 Claim, 5 Drawing Sheets



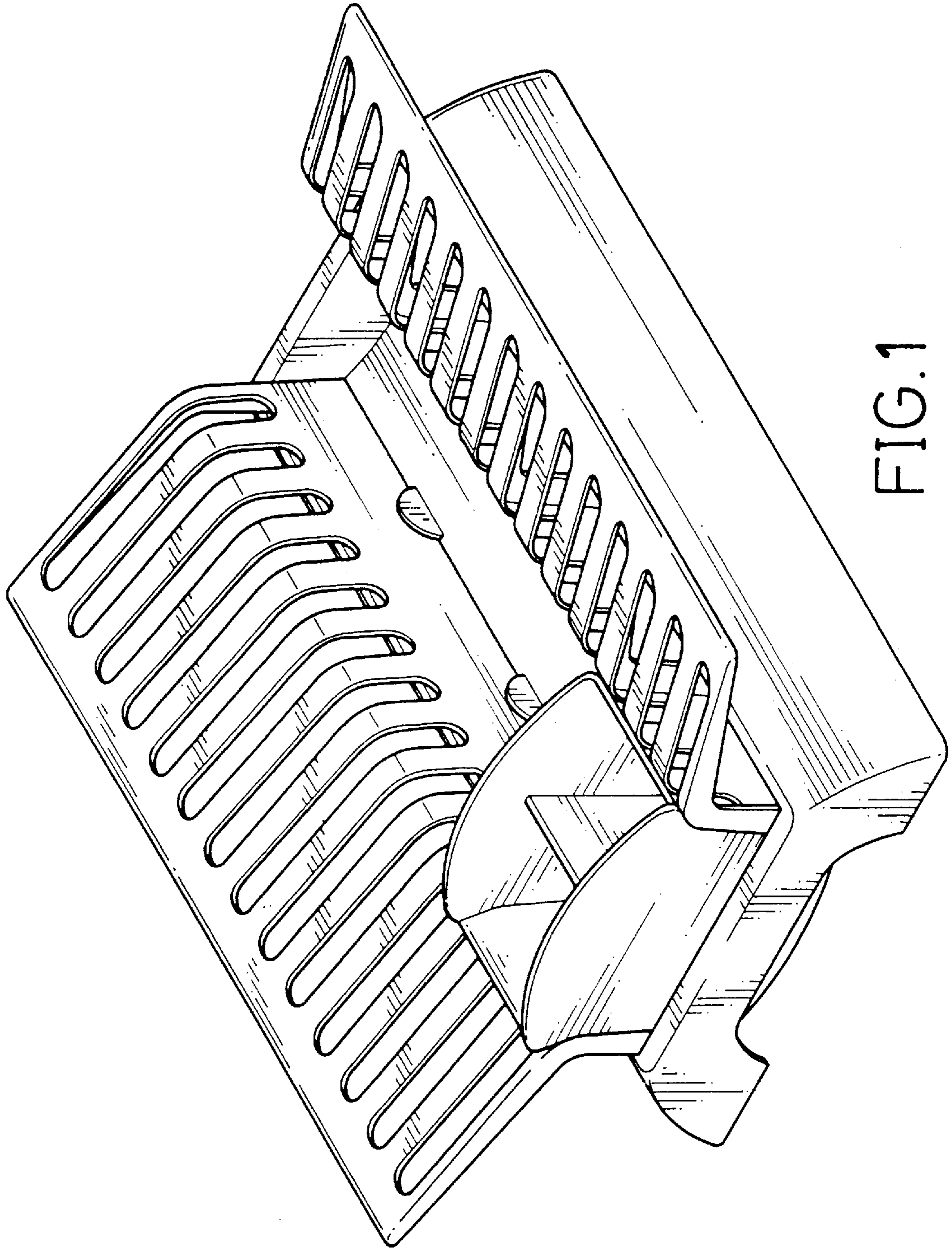


FIG.1

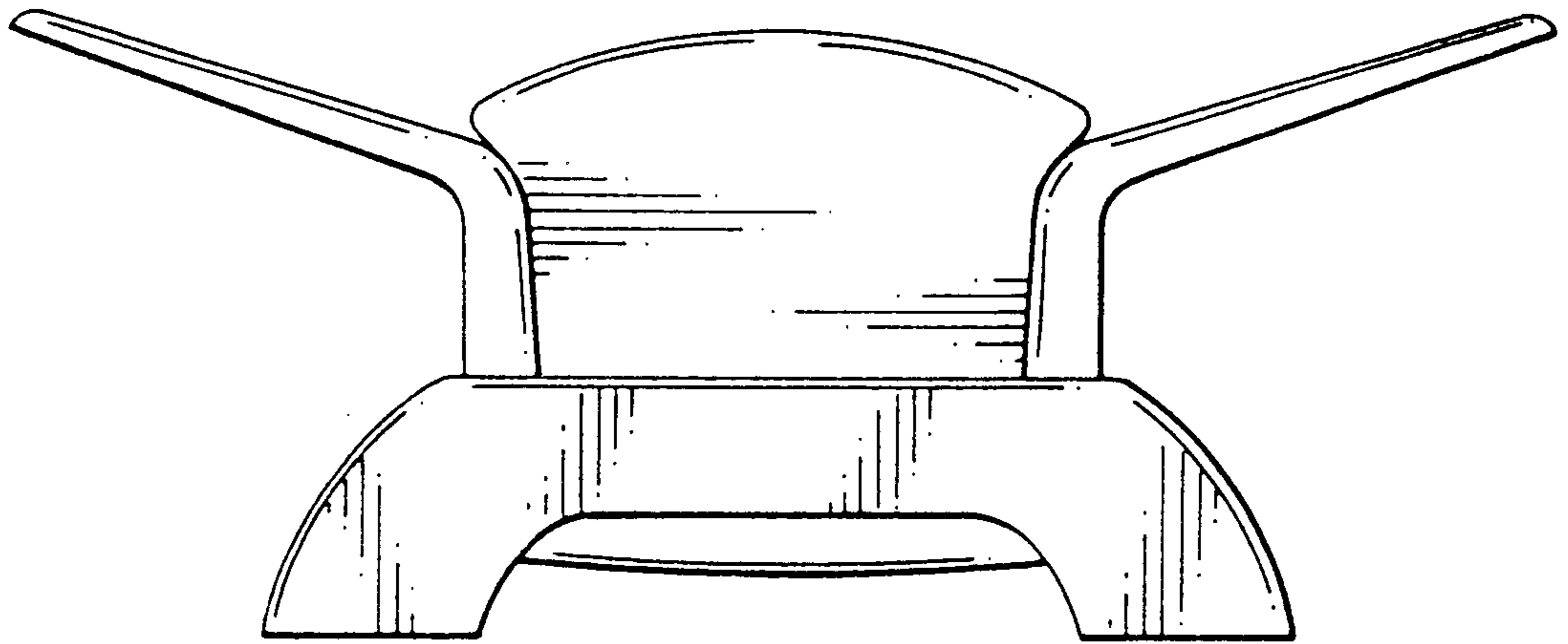


FIG. 2

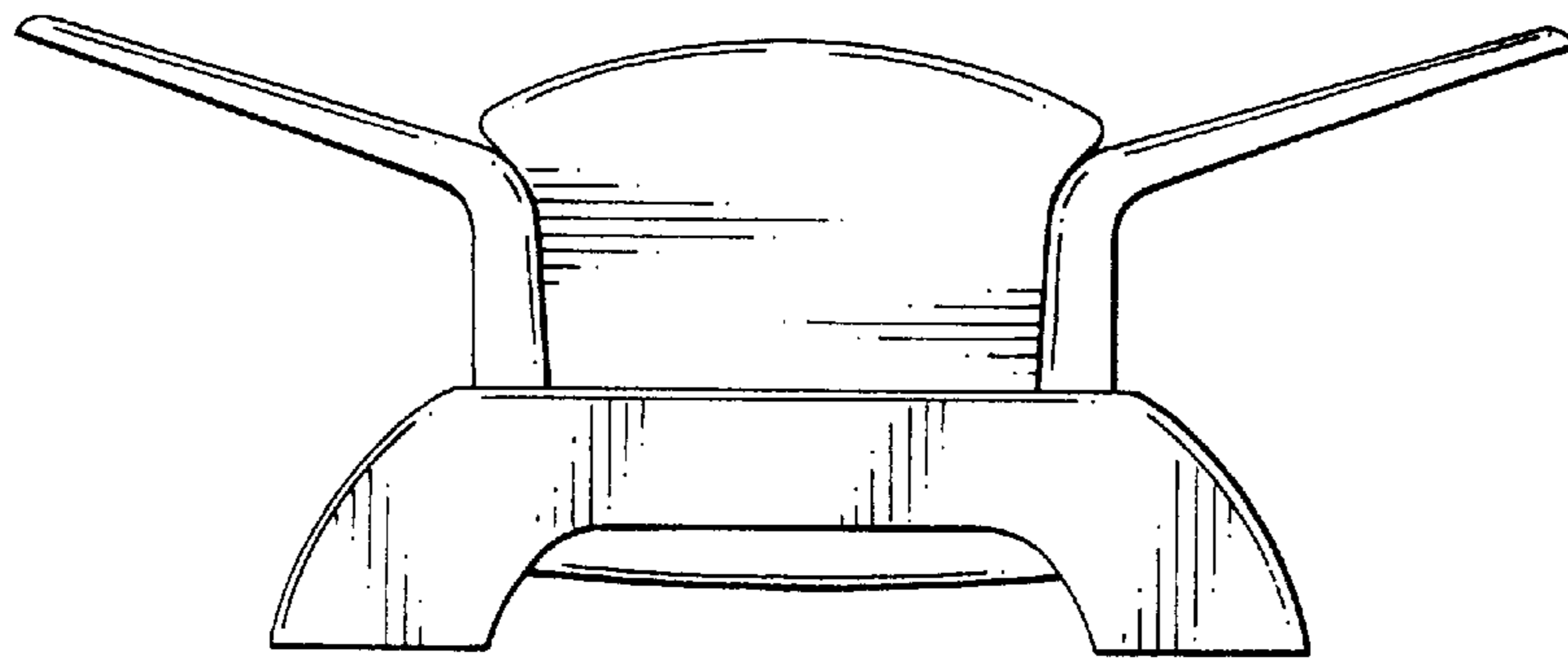


FIG. 3

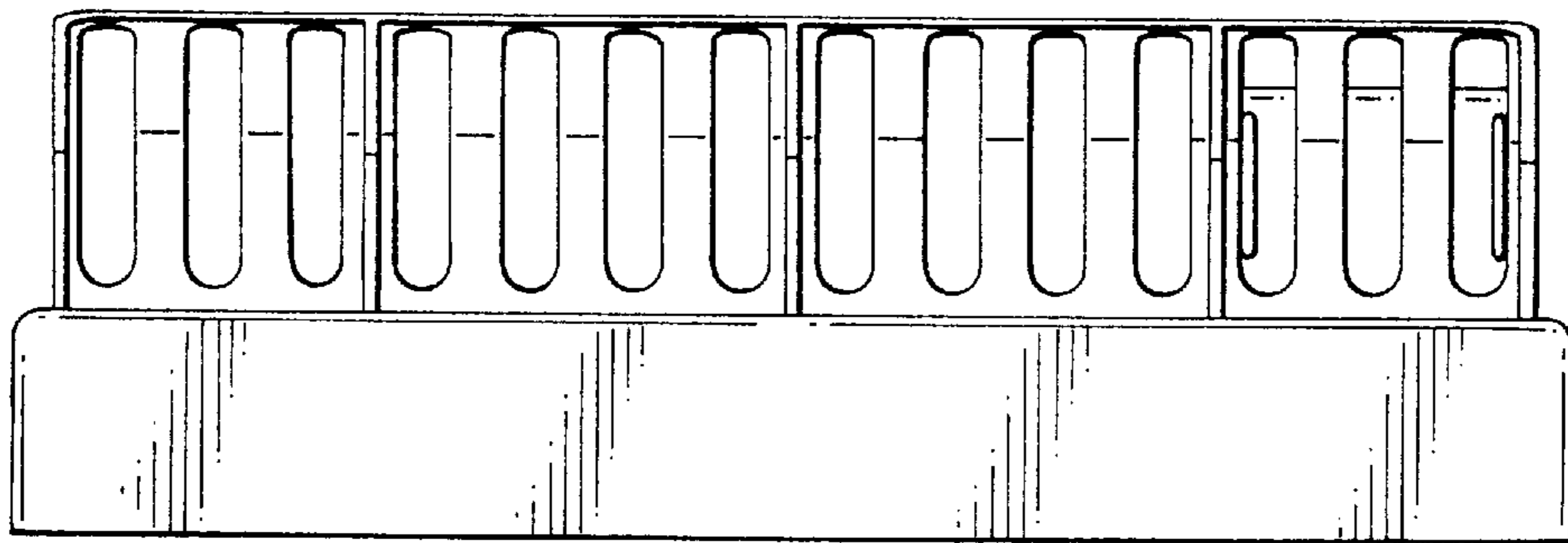


FIG. 4

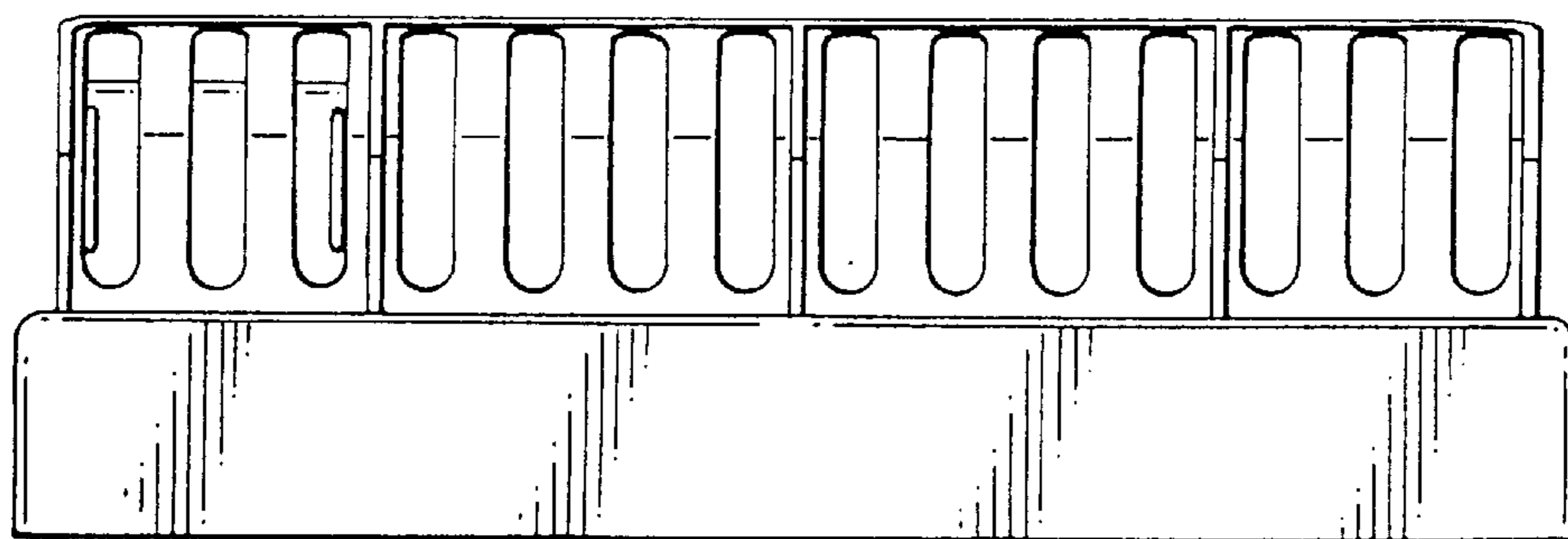


FIG. 5

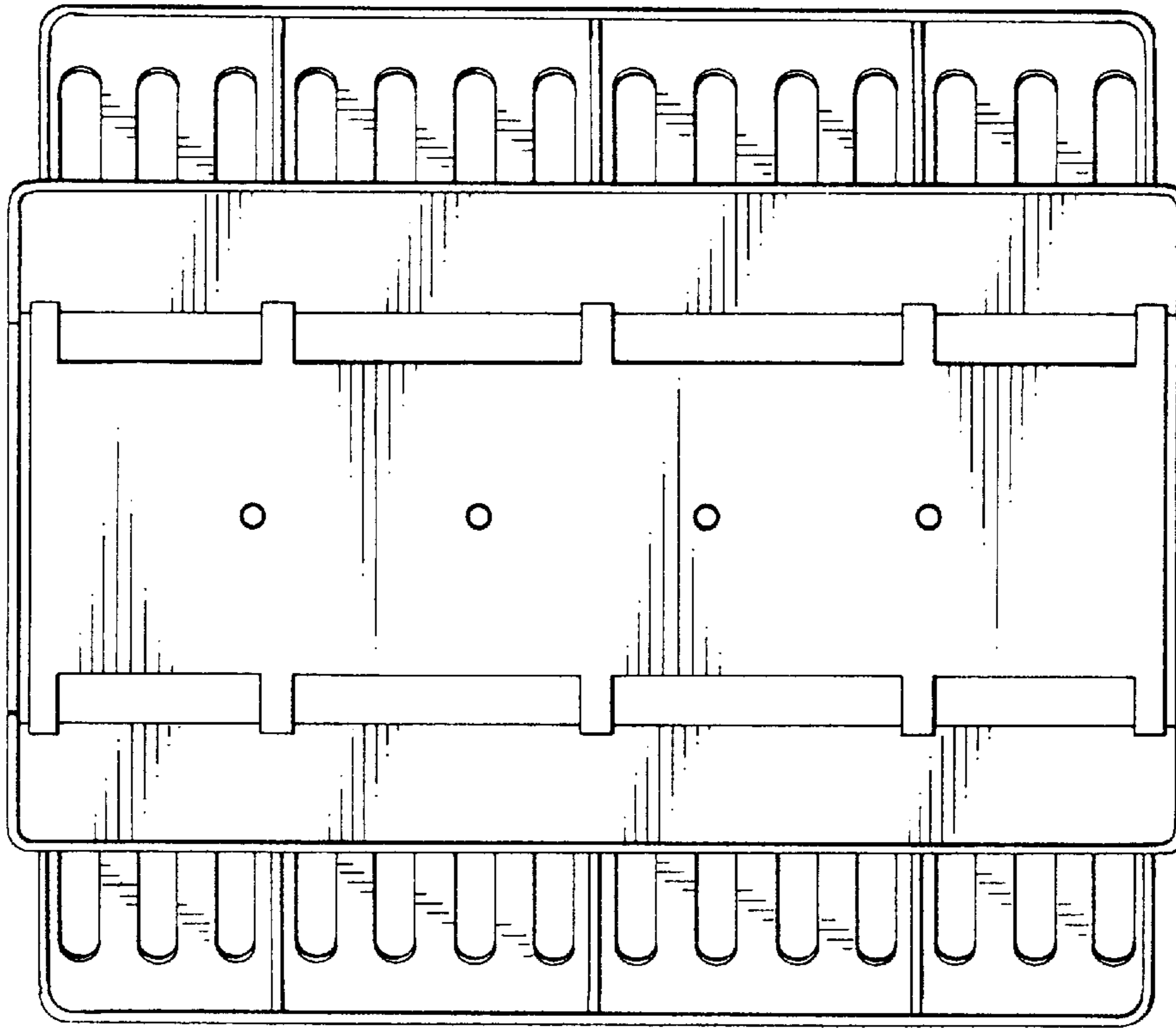


FIG. 7

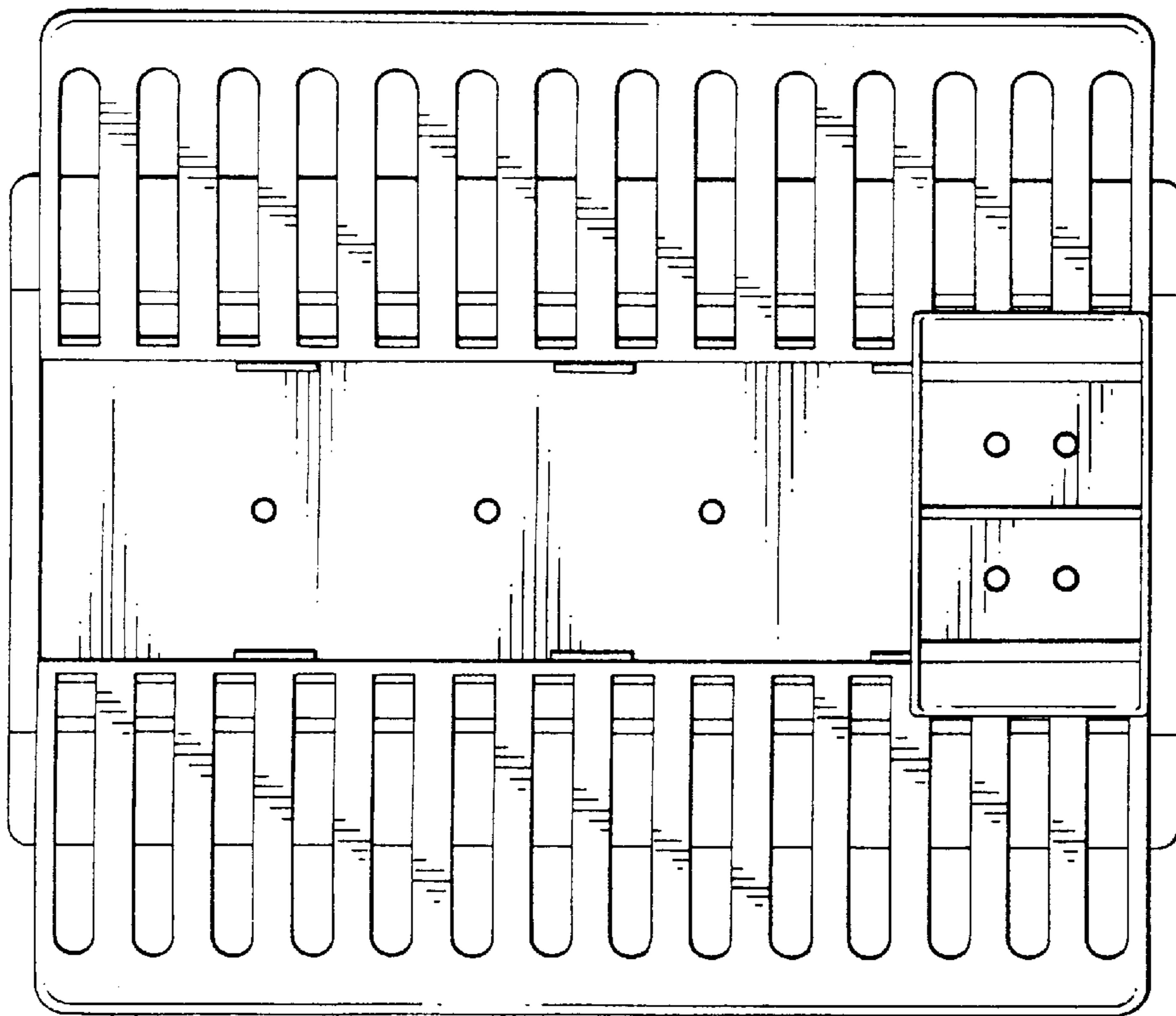


FIG. 6

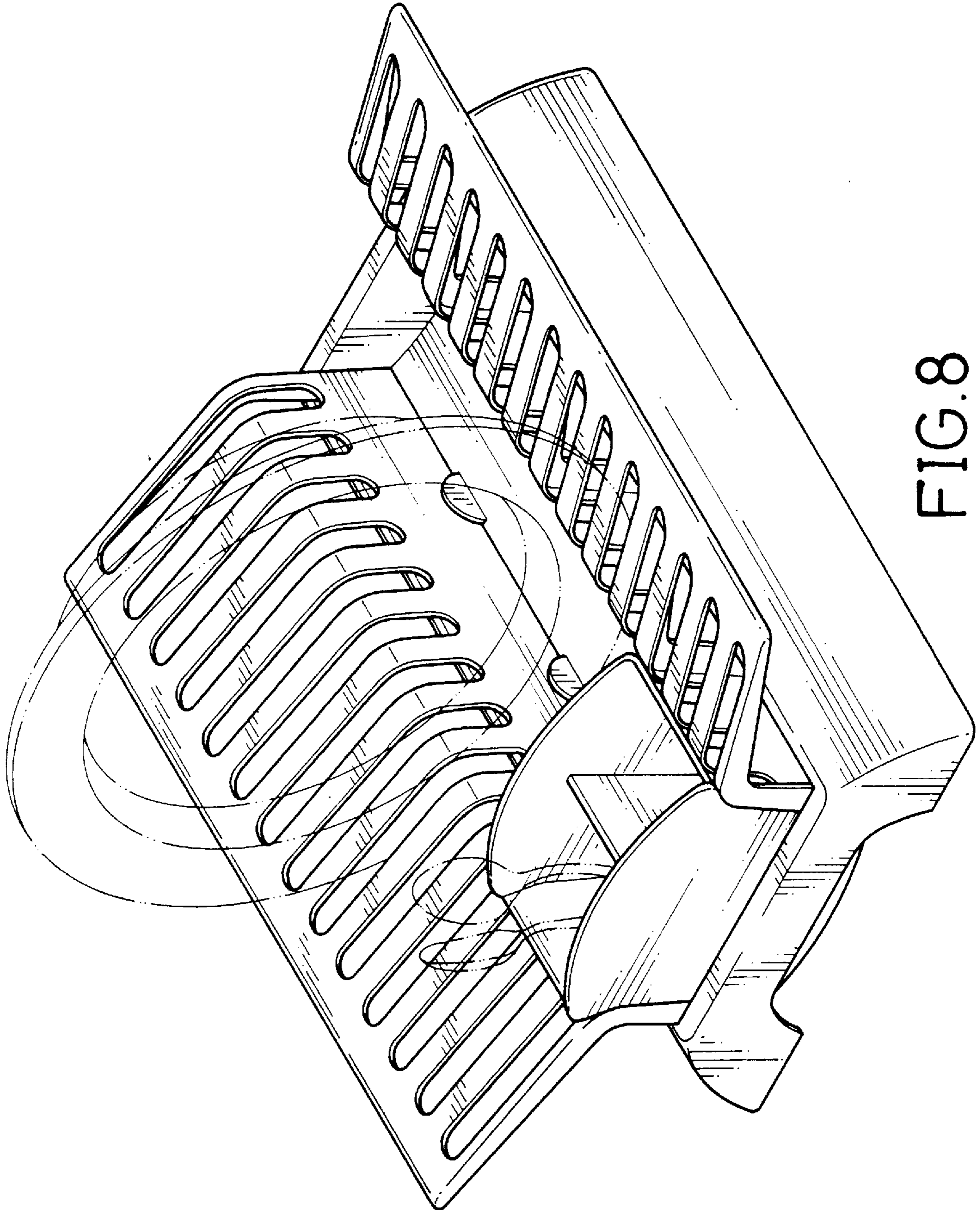


FIG.8