



US00D413699S

United States Patent [19]

Evans

[11] Patent Number: **Des. 413,699**

[45] Date of Patent: **** Sep. 7, 1999**

[54] **COMBINED LAUNDRY HAMPER WITH IRONING BOARD**

2,637,918 5/1953 Mayhew 38/103
3,022,589 2/1962 Kleiman 38/104

[76] Inventor: **Shirley Evans**, 64444 Wells, St. Louis, Mo. 63133

Primary Examiner—Susan J. Lucas
Assistant Examiner—Cynthia E. Ramirez
Attorney, Agent, or Firm—Polster, Lieder, Woodruff & Lucchesi

[**] Term: **14 Years**

[21] Appl. No.: **29/088,483**

[57] **CLAIM**

[22] Filed: **May 26, 1998**

The ornamental design for a combined laundry hamper with ironing board, as shown and described.

[51] **LOC (6) Cl.** **07-07**

DESCRIPTION

[52] **U.S. Cl.** **D32/37; D32/66**

[58] **Field of Search** D32/37, 66; D6/555, D6/567; 312/231; 38/103, 104, 106, 109, 112, 138

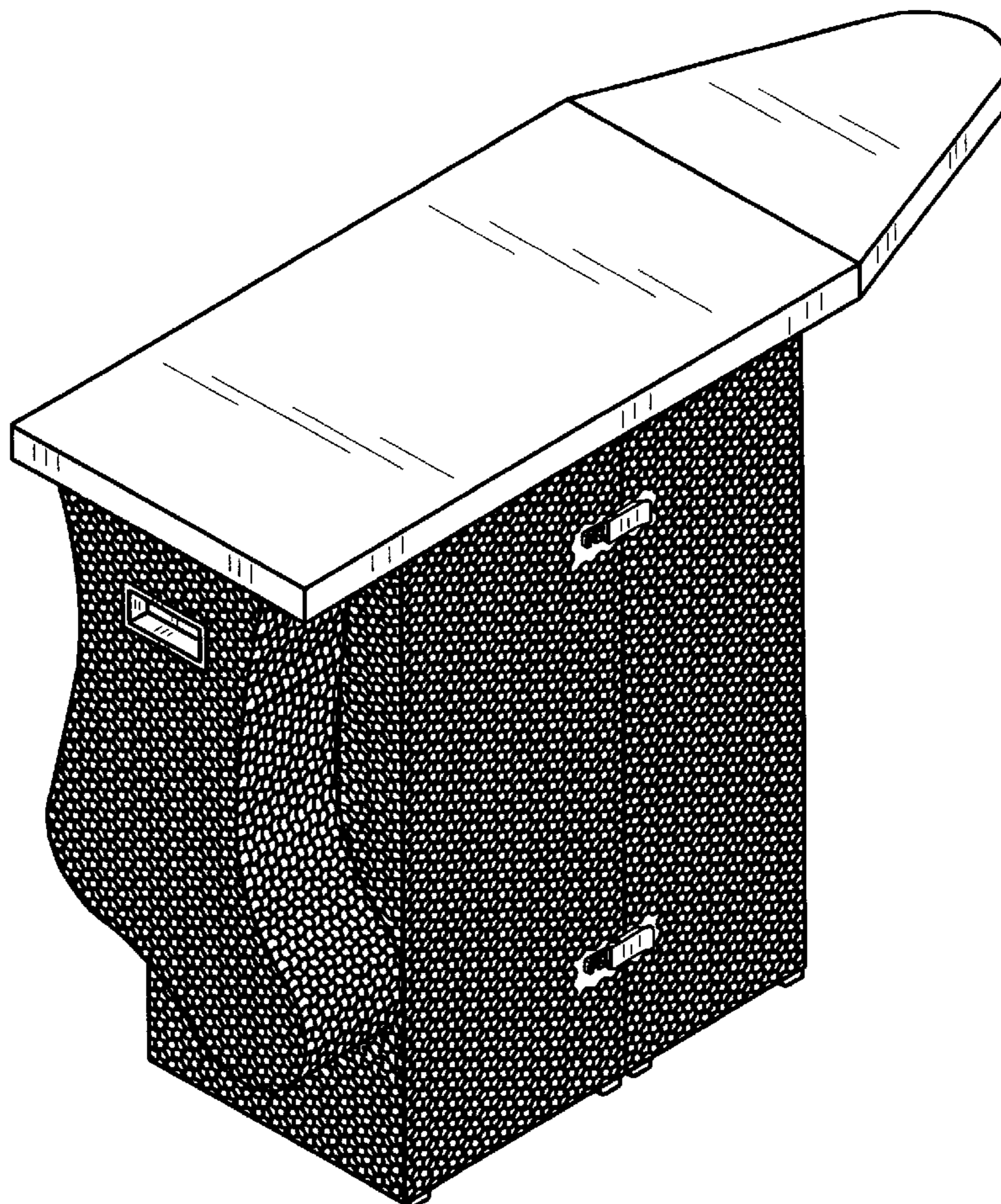
FIG. 1 is a perspective view for the combined laundry hamper with ironing board of this invention;
FIG. 2 is a front elevation view of the combined laundry hamper with ironing board;
FIG. 3 is a rear elevation view of the combined laundry hamper with ironing board;
FIG. 4 is a view in side elevation from left to right as viewed in FIG. 1;
FIG. 5 is a view in side elevation from right to left as viewed in FIG. 1;
FIG. 6 is a top plan view; and,
FIG. 7 is a bottom plan view.

[56] **References Cited**

U.S. PATENT DOCUMENTS

D. 184,128	12/1958	Hall	D32/37
D. 330,986	11/1992	Lau	D6/555
D. 369,889	5/1996	Buckner	D32/66
D. 388,917	1/1998	Valenti	D32/37
2,432,932	12/1947	Peters	38/103
2,523,425	9/1950	Gargaglione	38/103
2,548,437	4/1951	Mantagas	38/104

1 Claim, 4 Drawing Sheets



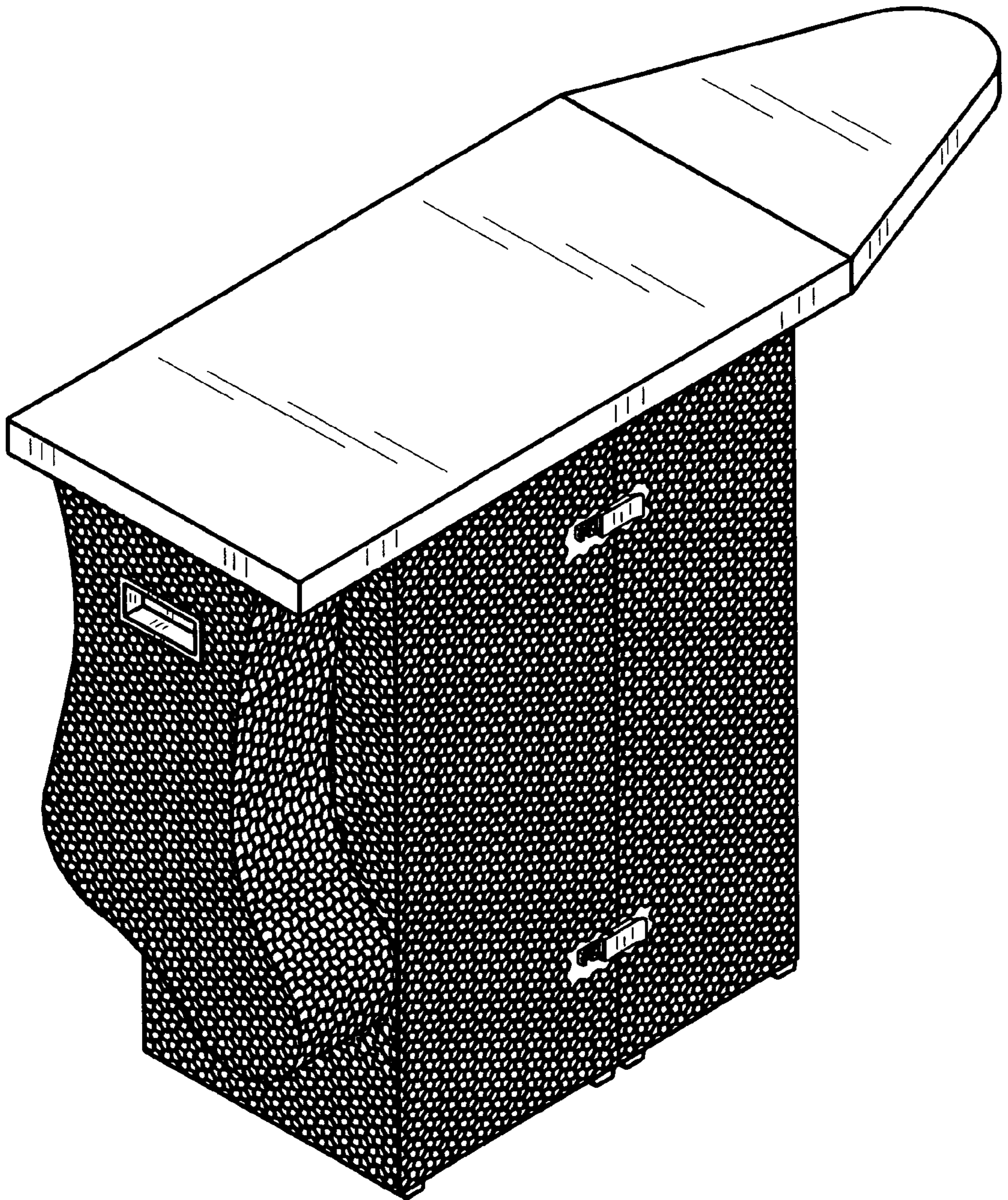


FIG. 1

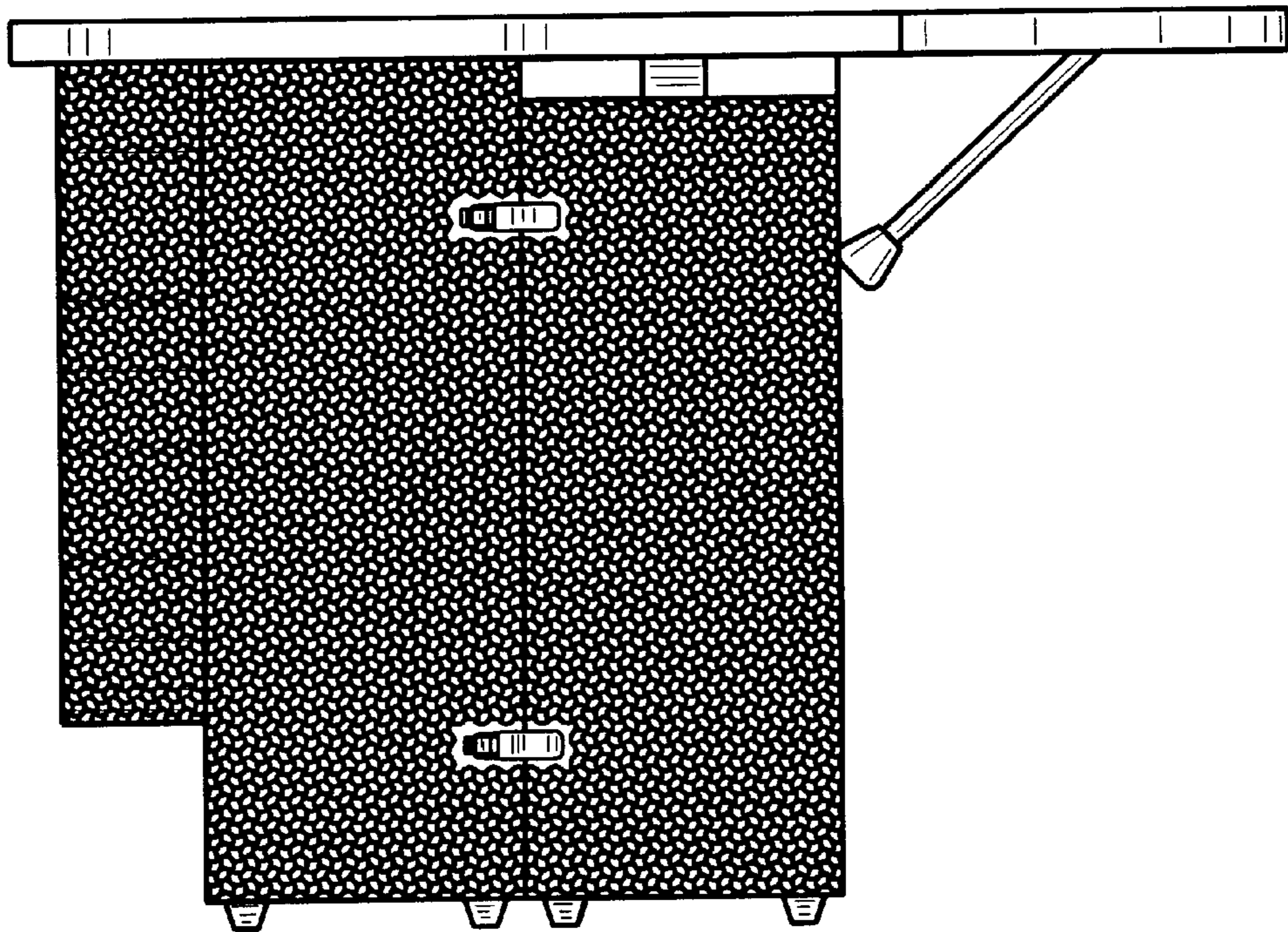


FIG. 2

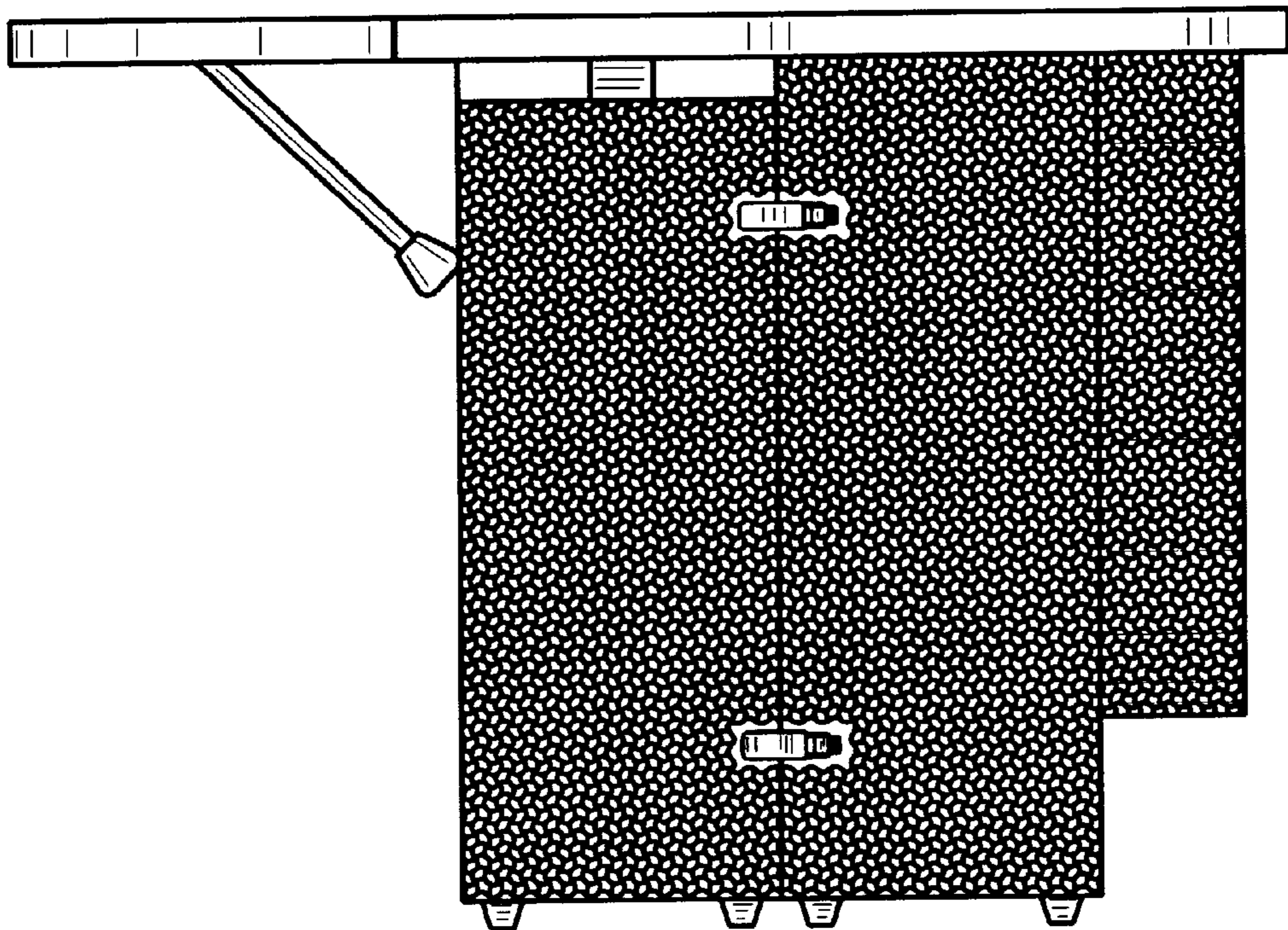


FIG. 3

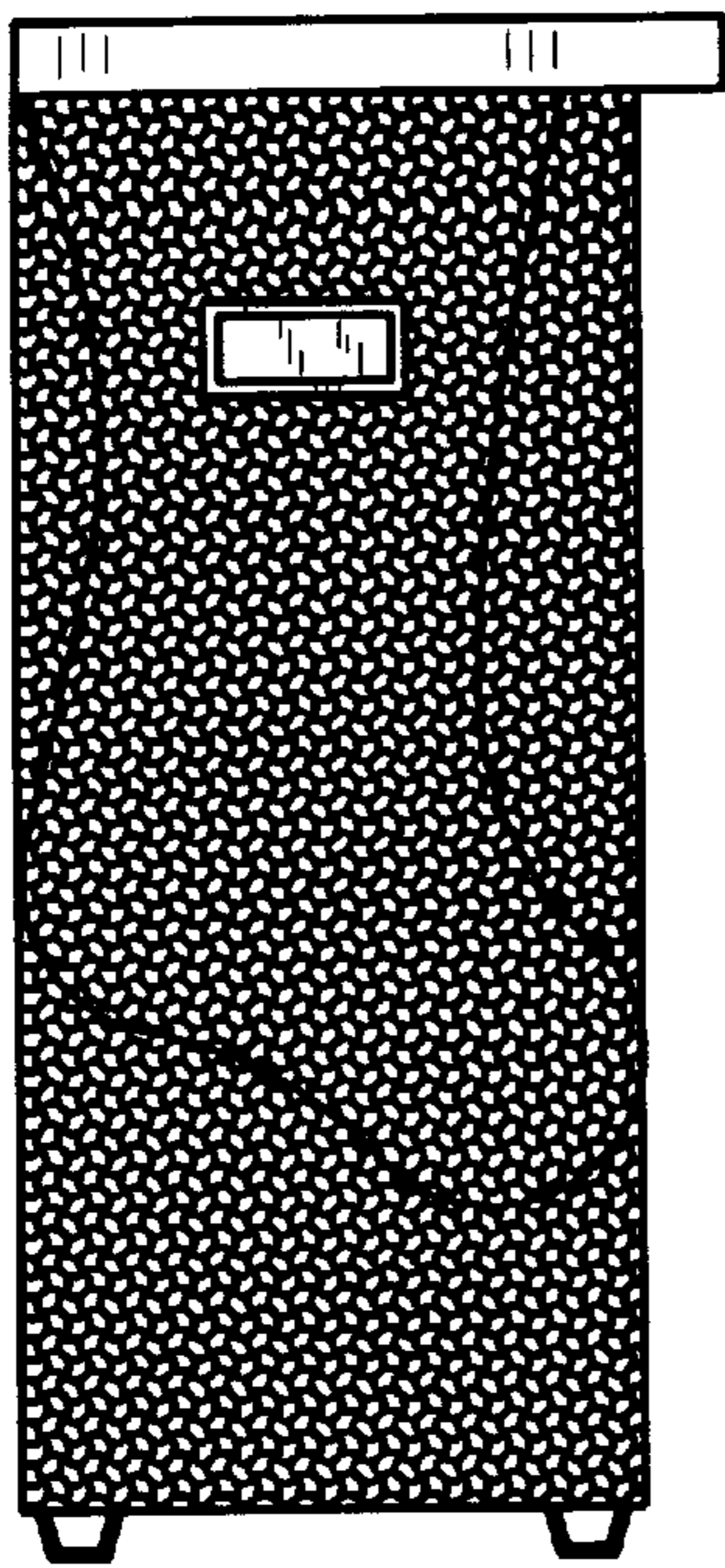


FIG. 4

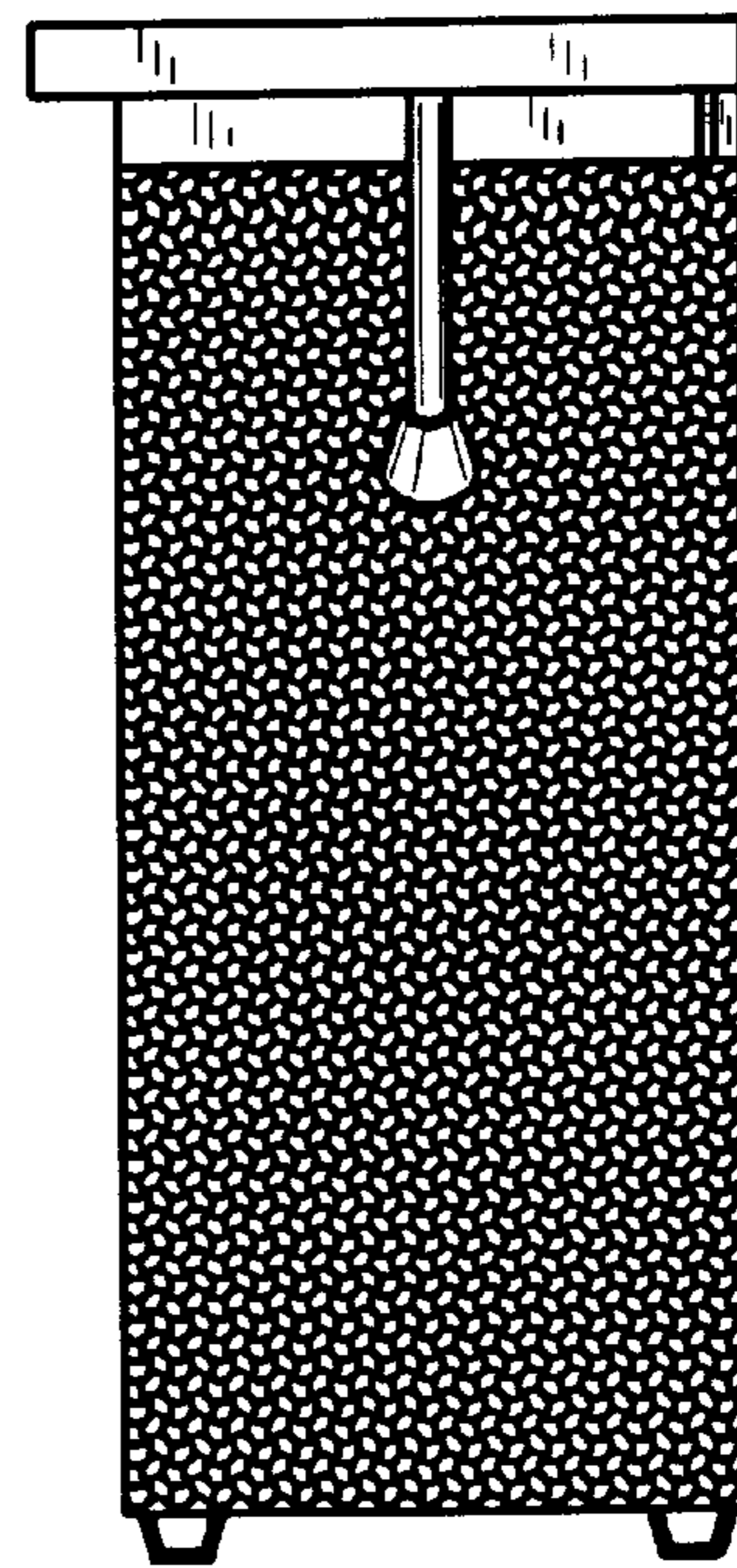


FIG. 5

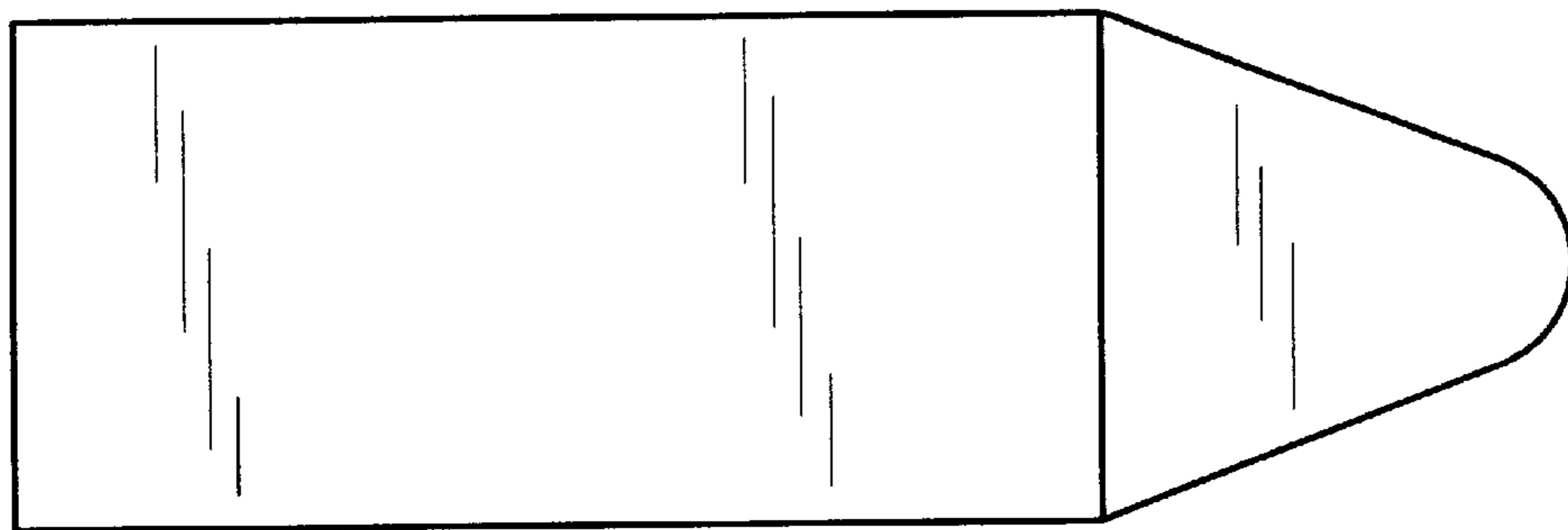


FIG. 6

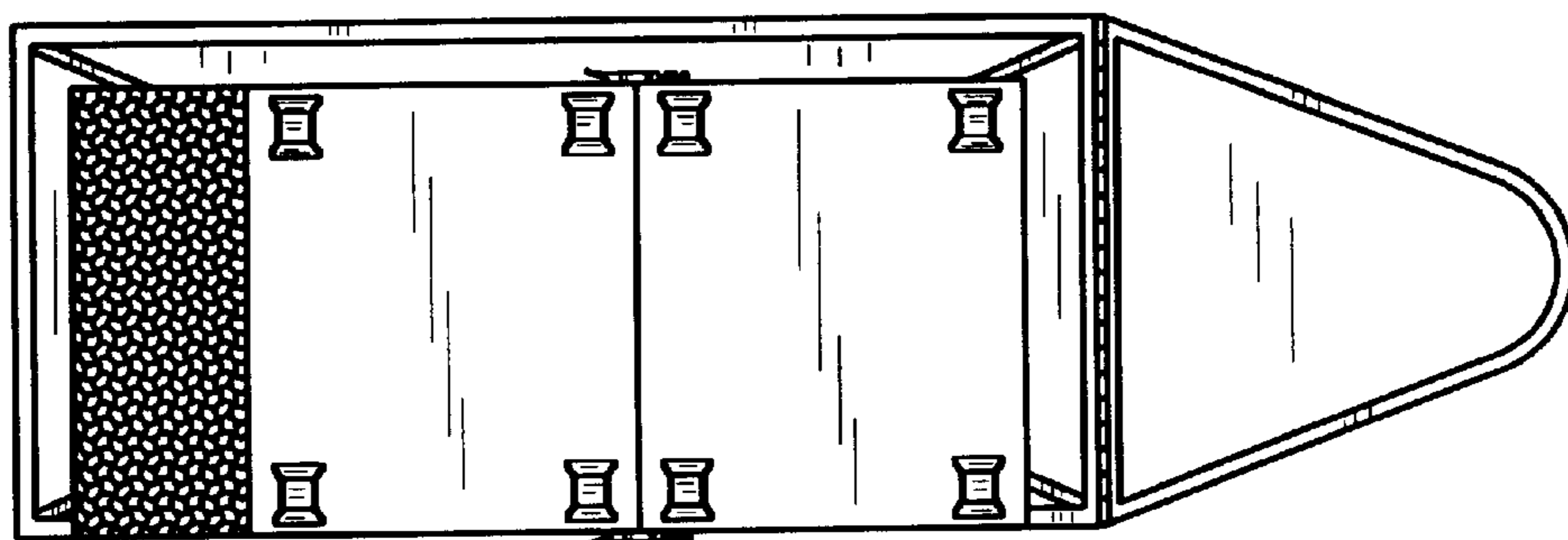


FIG. 7