



US00D413696S

United States Patent [19]

Velecky

[11] **Patent Number: Des. 413,696**

[45] **Date of Patent: ** Sep. 7, 1999**

[54] **HEEL PROTECTOR FOR USE WITH A SWIM FIN**

[75] Inventor: **Patrick James Velecky**, 44 Roscoe Street, Bondi, New South Wales 2026, Australia

[73] Assignees: **Patrick James Velecky; Kim Maree Velecky**, both of New South Wales, Australia

[**] Term: **14 Years**

[21] Appl. No.: **29/067,558**

[22] Filed: **Mar. 6, 1997**

[30] **Foreign Application Priority Data**

Sep. 9, 1996 [AU] Australia 2990/96
Feb. 24, 1997 [AU] Australia 537/97

[51] **LOC (6) Cl. 29-02**

[52] **U.S. Cl. D29/100; D29/120**

[58] **Field of Search** D29/100, 120-123, D29/113-114, 118-119; 2/16, 20, 21, 455, 160, 163, 910, 911, 917, 920; 15/227; 128/882, 892, 893; D24/189, 190, 192; 602/27, 65, 66; D21/806, 803

[56] **References Cited**

U.S. PATENT DOCUMENTS

D. 268,365 3/1983 Malkin D24/64
D. 270,556 9/1983 Kneisley D21/233
D. 333,193 2/1993 Archambault D24/190
D. 343,002 1/1994 Gauvry D24/192
D. 380,267 6/1997 Roth D24/192
3,506,000 4/1970 Baker 128/166

3,515,136 6/1970 Baker 128/166
4,441,490 4/1984 Nirschl 128/77
4,584,993 4/1986 Nelson 128/77
5,620,413 4/1997 Olson 602/65
5,755,679 5/1998 Selner et al. 602/27

Primary Examiner—Ruth McInroy
Attorney, Agent, or Firm—Ladas & Parry

[57] **CLAIM**

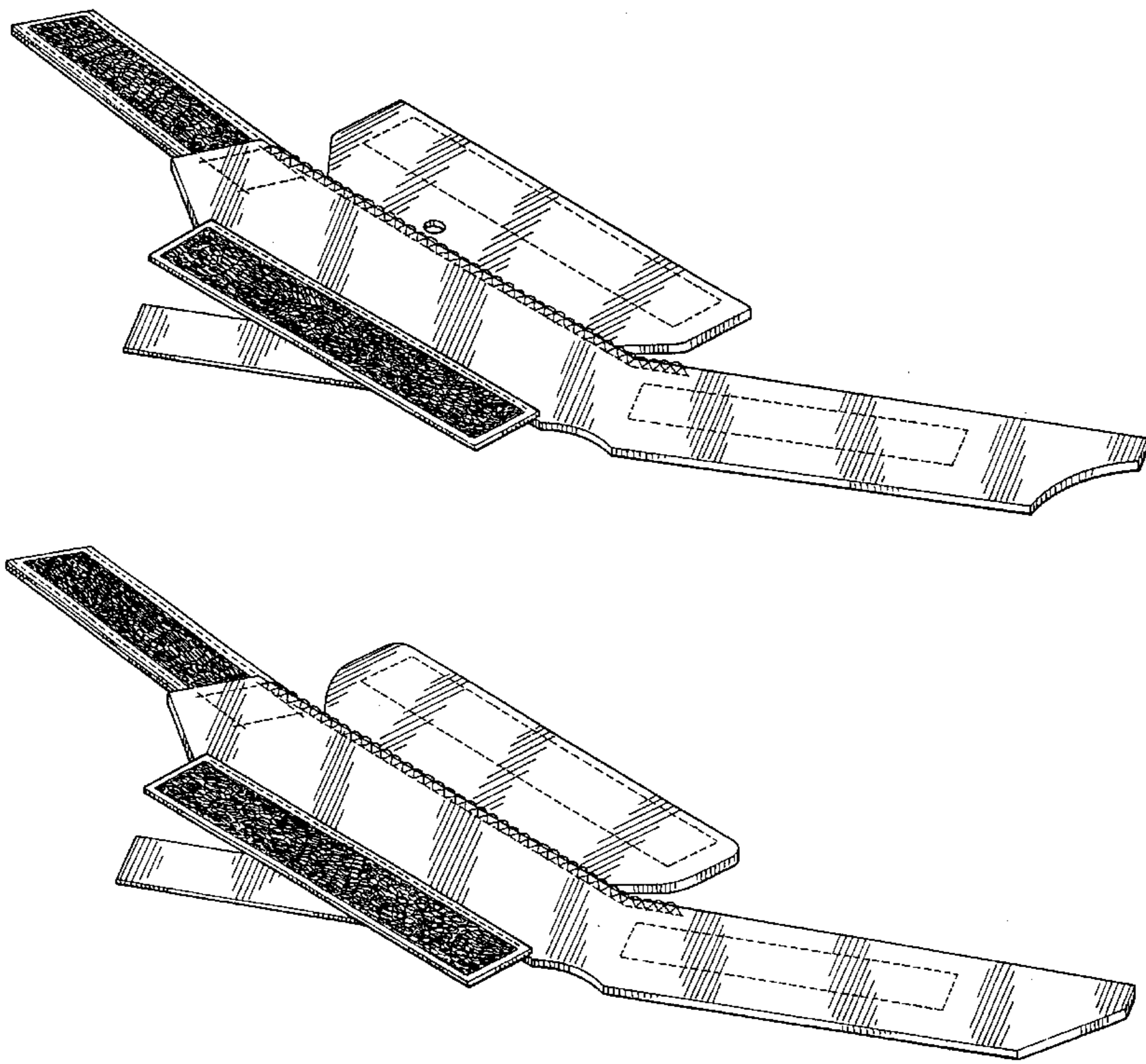
The ornamental design for “heel protector for use with a swim fin”, as shown.

DESCRIPTION

FIG. 1 is a top perspective view of a heel protector for use with a swim fin showing my new design;
FIG. 2 is a top plan view thereof;
FIG. 3 is a bottom plan view thereof;
FIG. 4 is a right end elevational view thereof;
FIG. 5 is a left end elevational view thereof;
FIG. 6 is a rear elevational view thereof;
FIG. 7 is a front elevational view thereof;
FIG. 8 is a top perspective view of a second embodiment thereof;
FIG. 9 is a top plan view of FIG. 8;
FIG. 10 is a bottom plan view of FIG. 8;
FIG. 11 is a right end elevational view of FIG. 8;
FIG. 12 is a left end elevational view of FIG. 8;
FIG. 13 is a rear elevational view of FIG. 8; and,
FIG. 14 is a front elevational view of FIG. 8.

The broken lines in FIGS. 1, 2, 3, 8, 9 and 10 are understood to represent conventional stitching. The large dark areas of FIGS. 1, 2, 3, 8, 9 and 10 are understood to represent conventional hook and loop material.

1 Claim, 10 Drawing Sheets



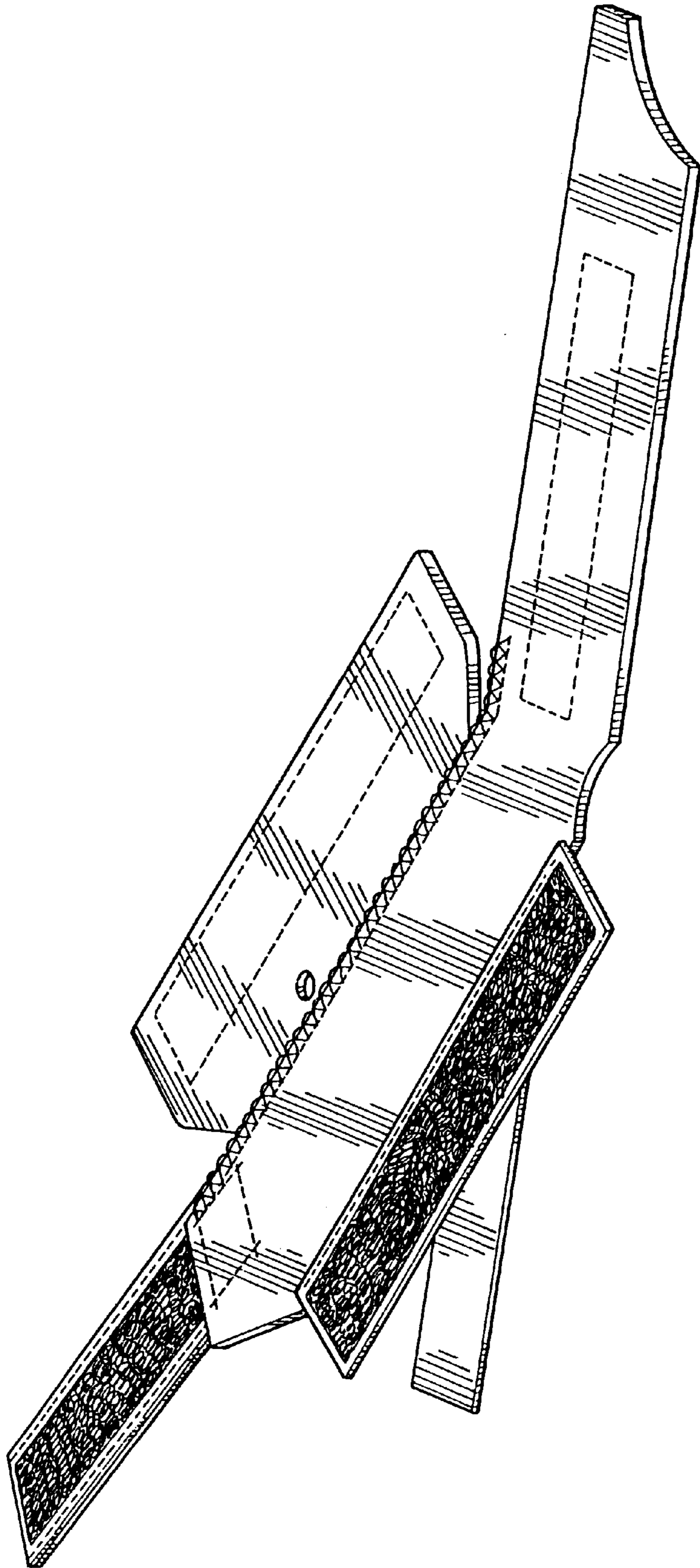


FIG. 1

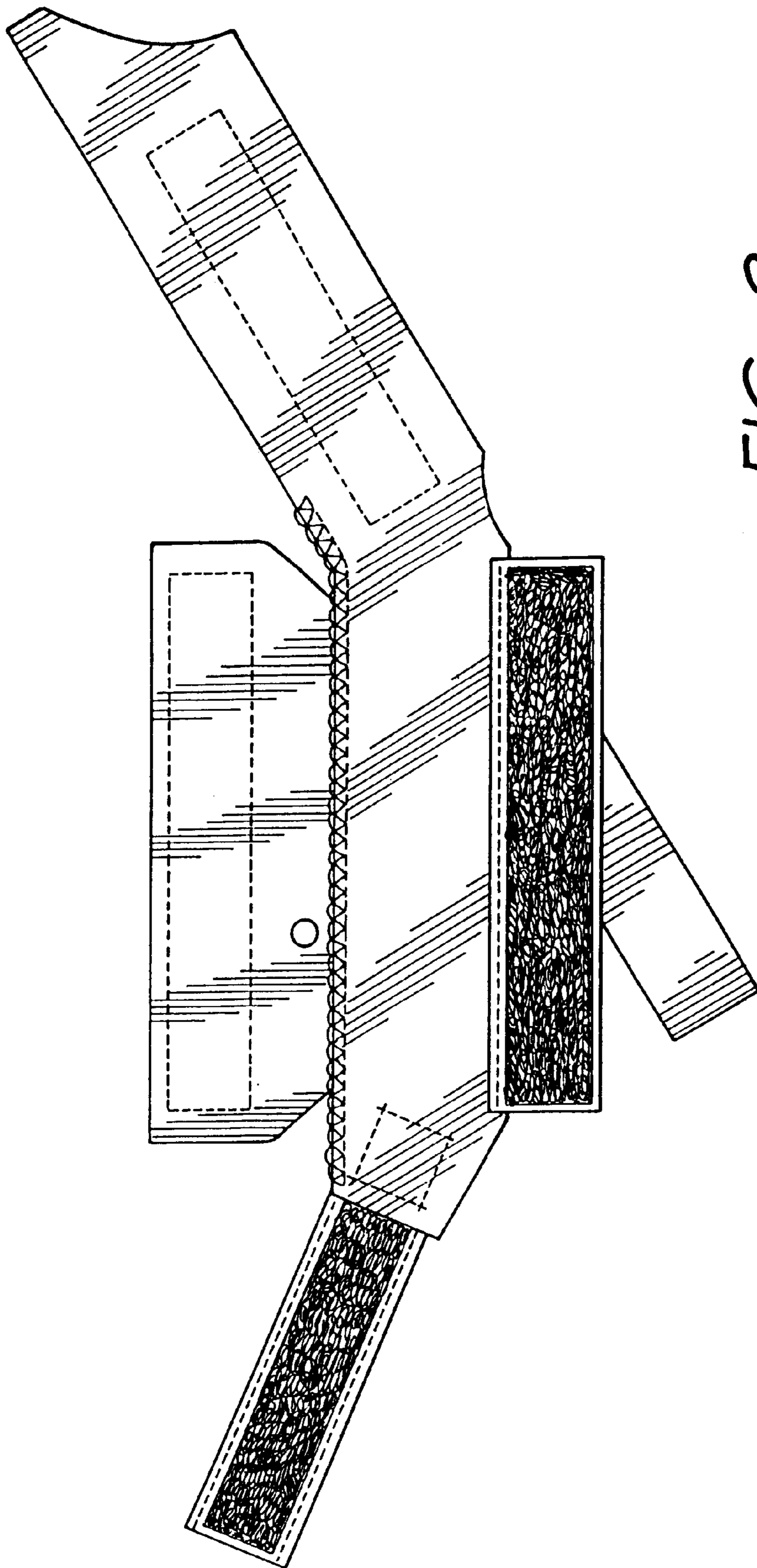


FIG. 2

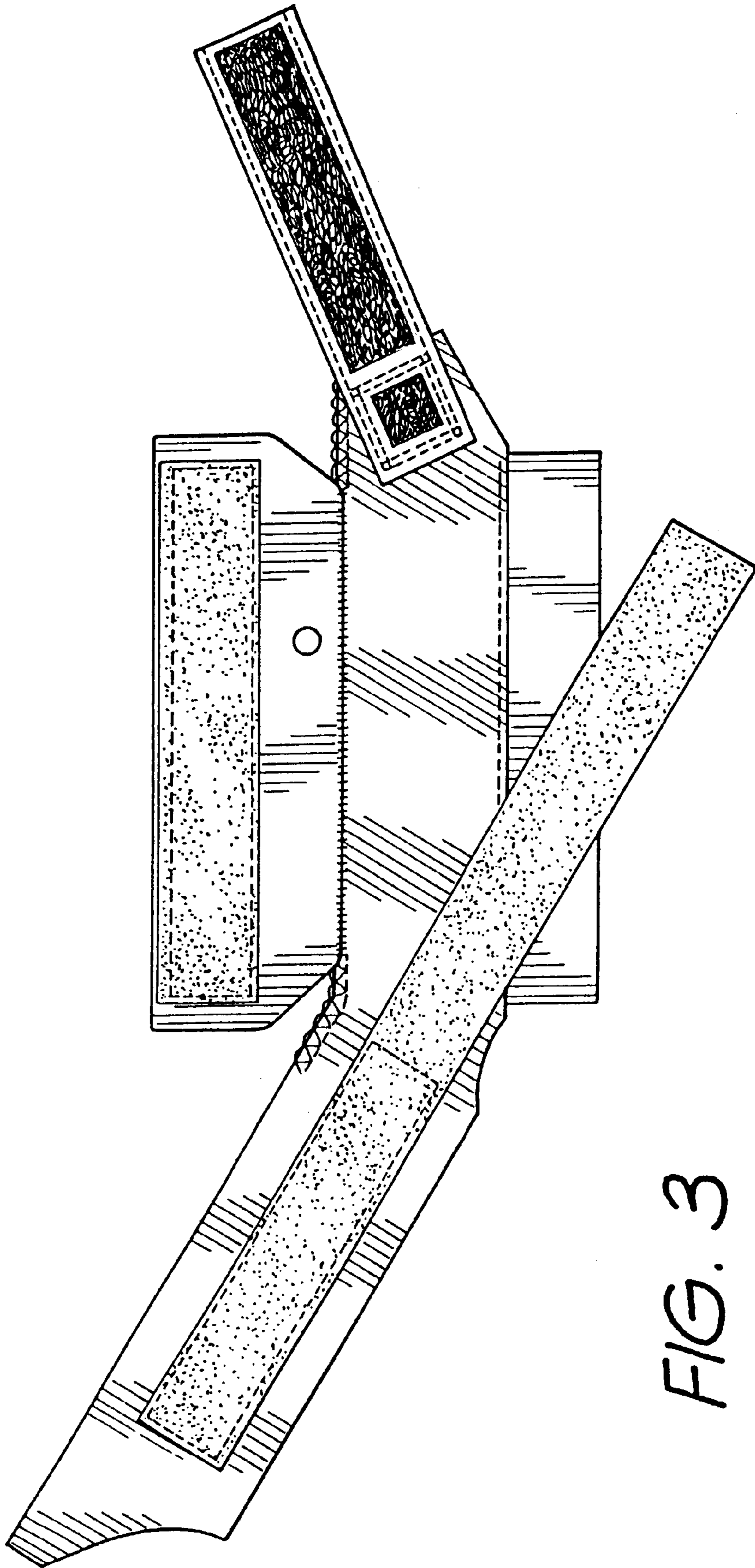


FIG. 3



FIG. 4



FIG. 5



FIG. 6



FIG. 7

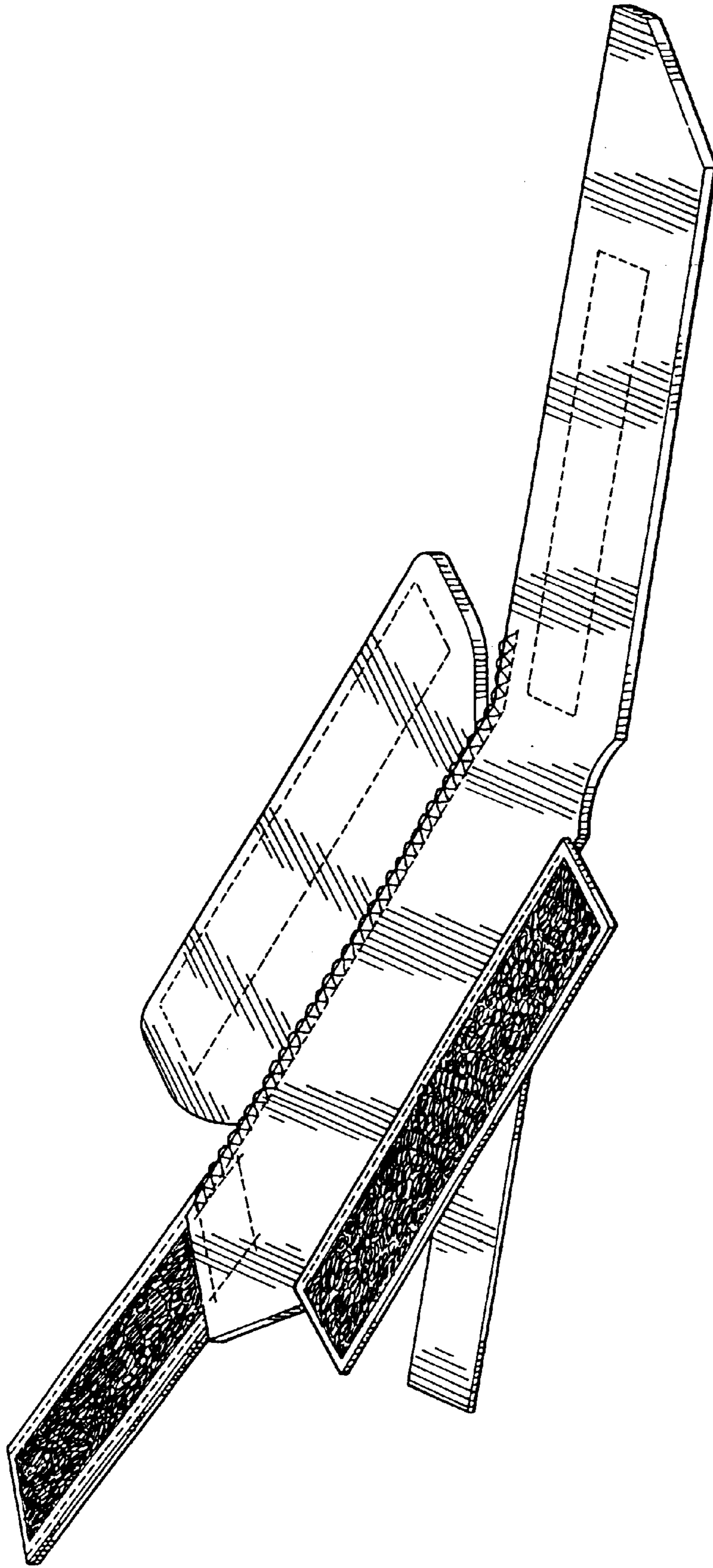


FIG. 8

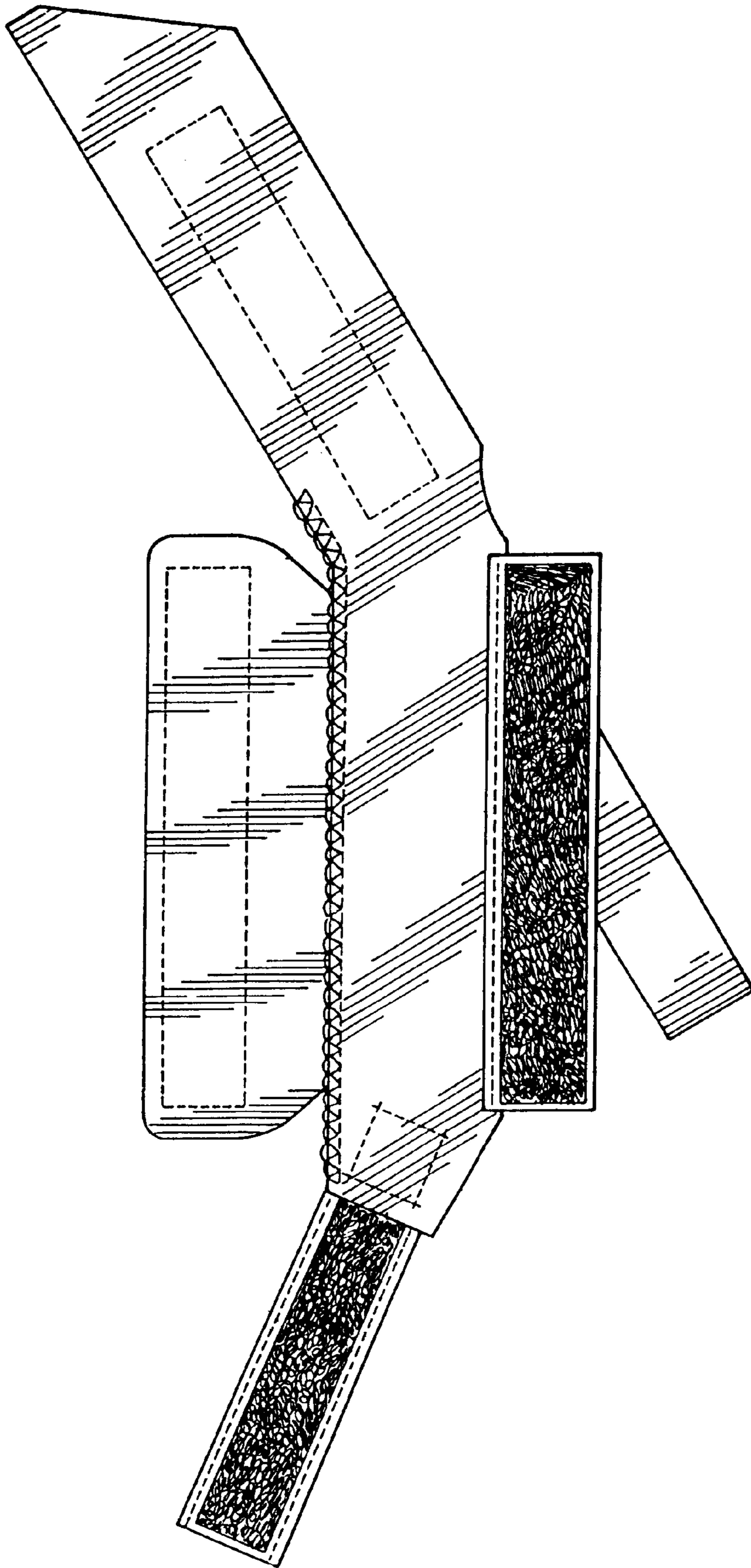


FIG. 9

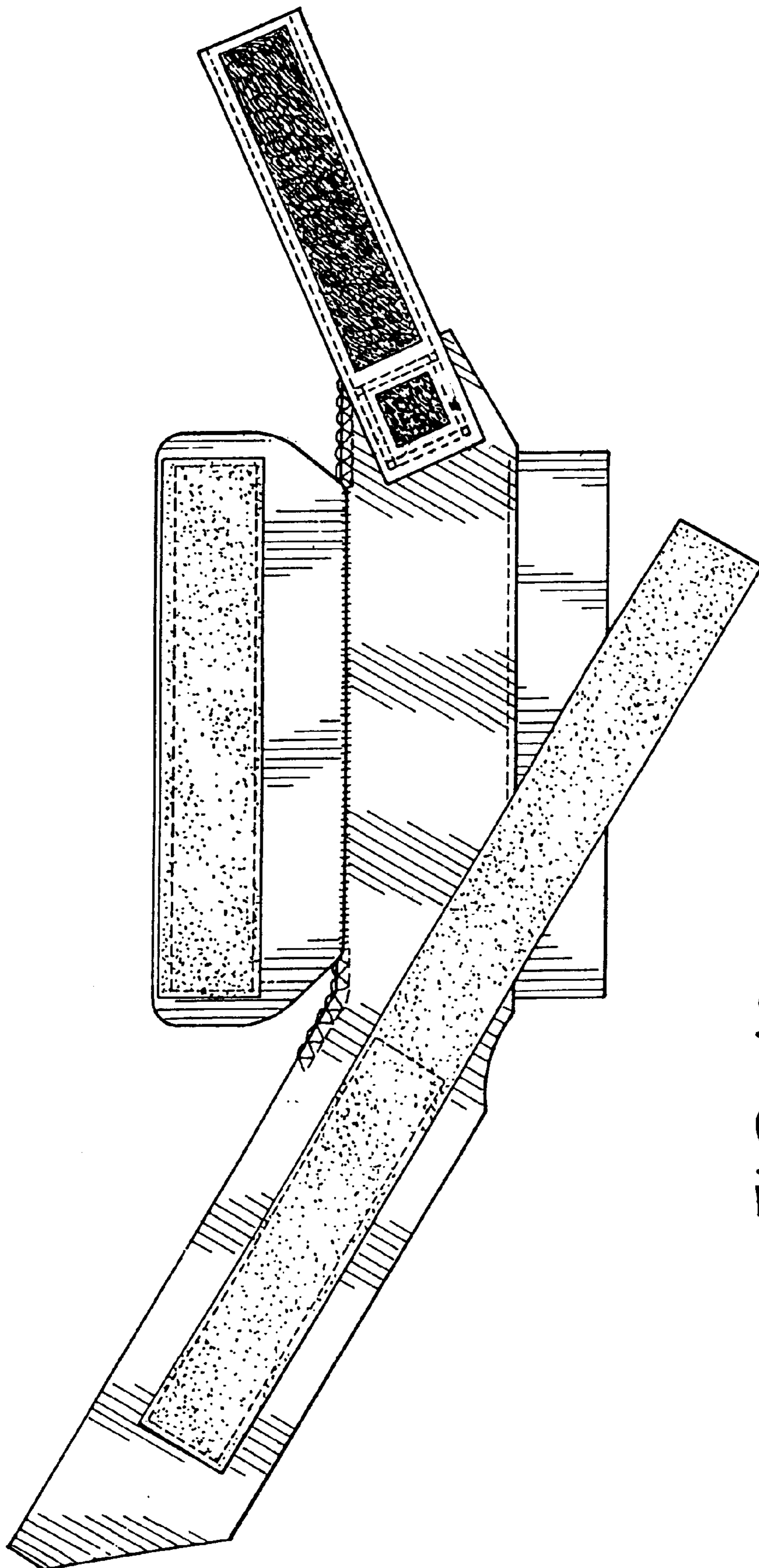


FIG. 10

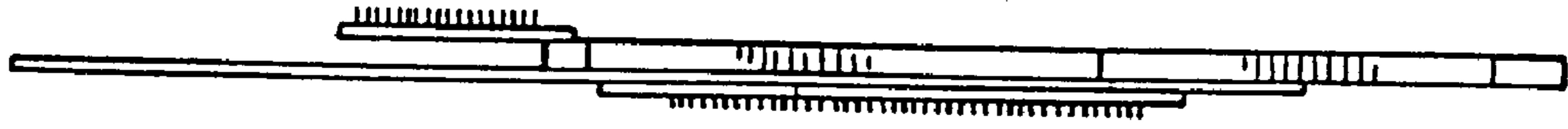


FIG. 11



FIG. 12

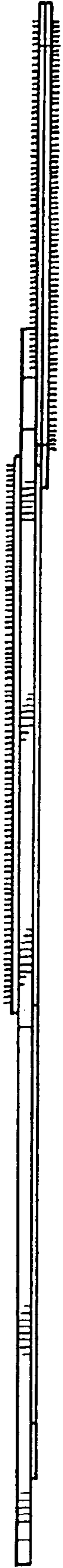


FIG. 13



FIG. 14