



US00D413695S

United States Patent [19] Bitz

[11] **Patent Number: Des. 413,695**

[45] **Date of Patent: ** Sep. 7, 1999**

[54] **COMBINATION DISPENSER AND APPLICATOR FOR DENTAL FLOSS**

[76] Inventor: **Edward M Bitz**, P.O. Box 5521,
Bismarck, N. Dak. 58506

[**] Term: **14 Years**

[21] Appl. No.: **29/086,922**

[22] Filed: **Apr. 23, 1998**

[51] **LOC (6) Cl. 28-03**

[52] **U.S. Cl. D28/66**

[58] **Field of Search** D28/65-68; D9/419;
132/321-329; 206/63.3, 63.5, 408, 409;
225/42, 44, 46-49, 53, 56, 63, 77, 85

[56] **References Cited**

U.S. PATENT DOCUMENTS

D. 49,907	11/1916	Muchow	D28/66
D. 237,086	10/1975	Gore	D28/68
D. 238,279	12/1975	French	D28/68
D. 243,187	1/1977	Bennington	D28/68
D. 246,988	1/1978	Bennington	D28/68
911,664	2/1909	Locke	132/325
1,262,464	4/1918	Dierke	132/325

1,268,944	6/1918	Ecubert	132/325
2,417,682	3/1947	Hamilton	132/327
3,621,853	11/1971	Montalbo	132/327
4,658,959	4/1987	Inoue	206/409
5,188,133	2/1993	Romanus	132/325

Primary Examiner—Ted Shooman
Assistant Examiner—C. Tuttle

[57] **CLAIM**

The ornamental design for a combination dispenser and applicator for dental floss, as shown and described.

DESCRIPTION

FIG. 1 is a perspective view of the combination dispenser and applicator for dental floss;
FIG. 2 is a side elevation view thereof, the opposite side being a mirror image thereof;
FIG. 3 is an applicator end elevation view thereof;
FIG. 4 is a dispenser end elevation view thereof; and,
FIG. 5 is a bottom plan view thereof.

The portions of the design that are neither shown in the drawings nor described in the specification form no part of the claimed design.

1 Claim, 1 Drawing Sheet

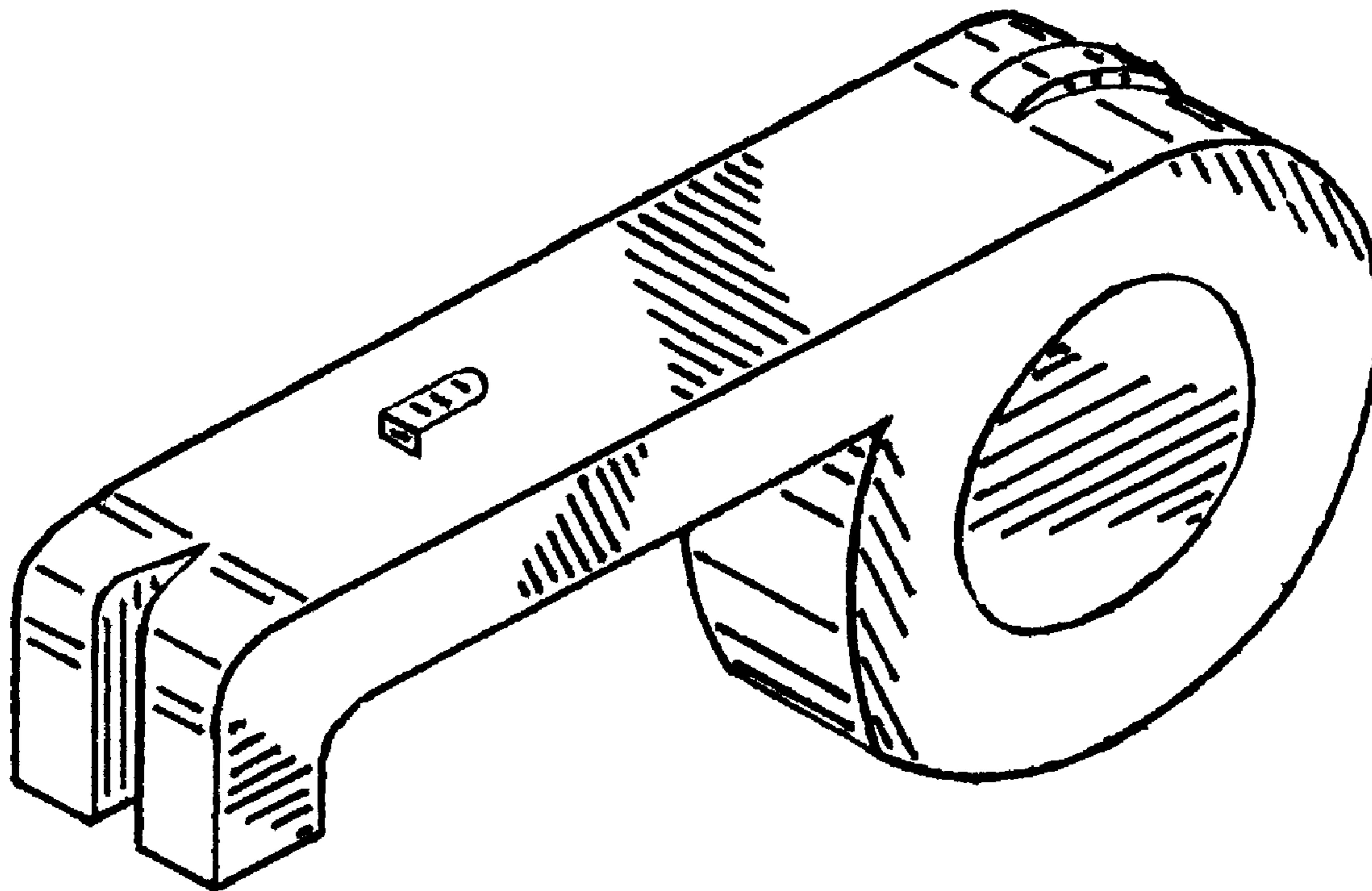


Fig 1

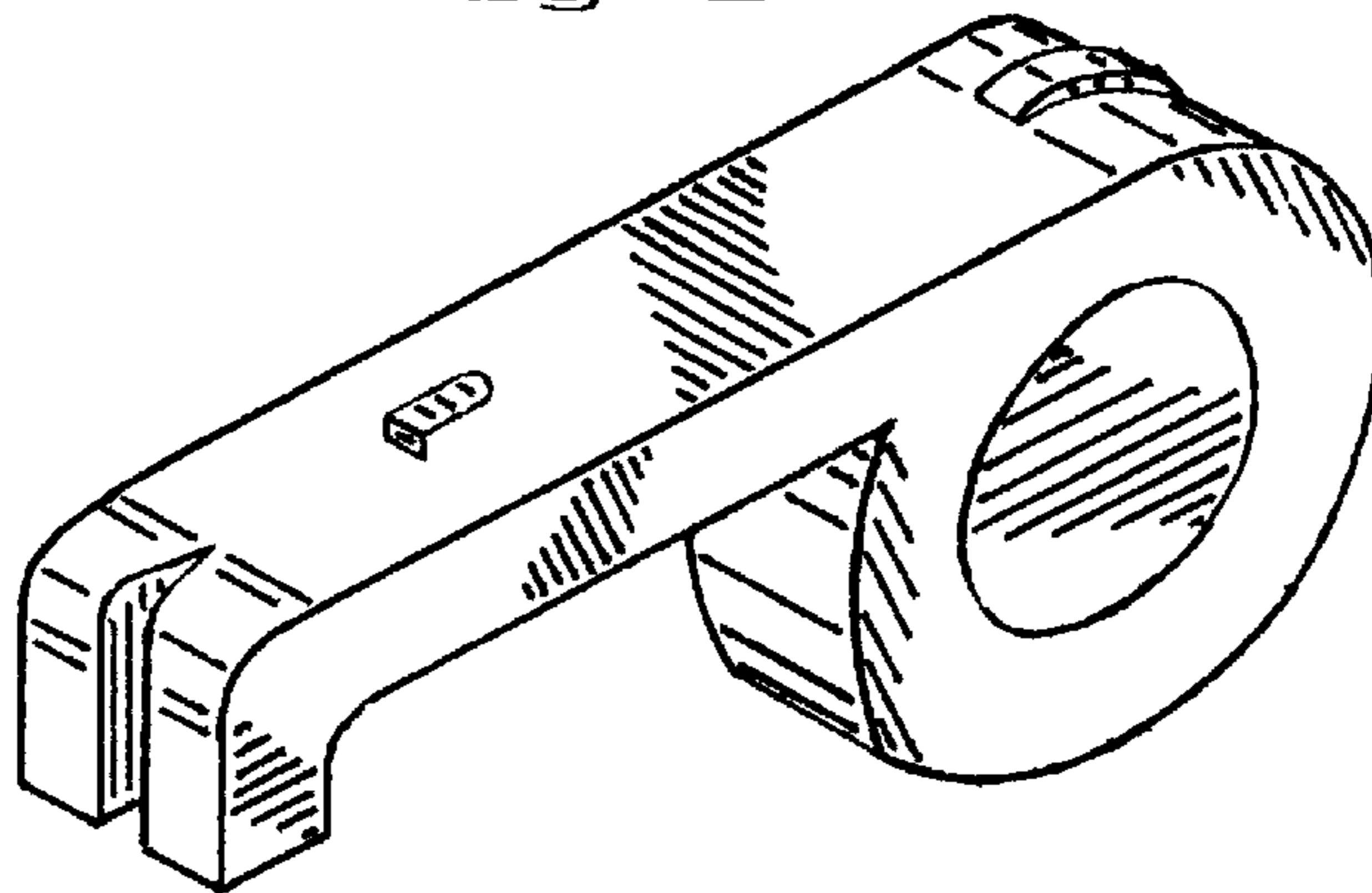


Fig 3

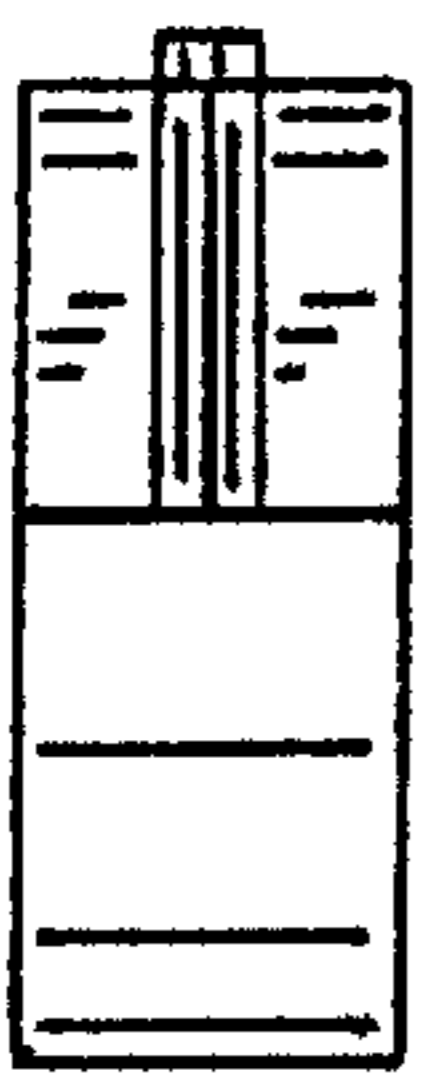


Fig 2

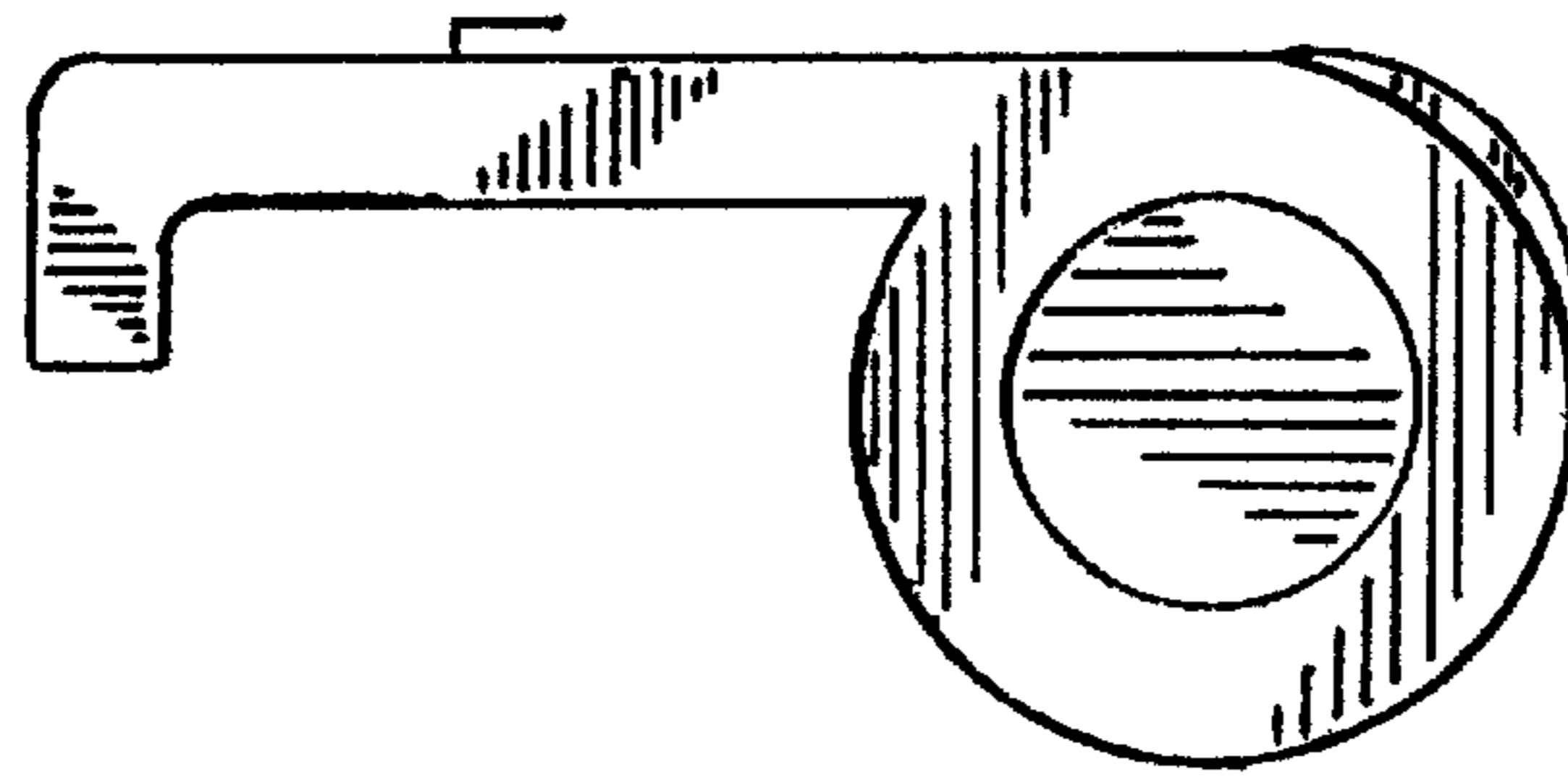


Fig 4

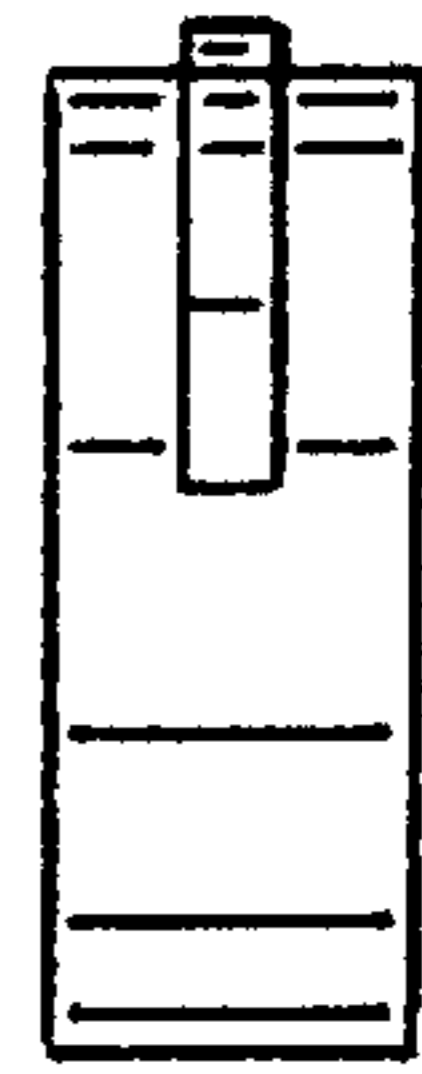


Fig 5

