



US00D413690S

United States Patent [19]

Hussaini et al.

[11] Patent Number: **Des. 413,690**

[45] Date of Patent: **** Sep. 7, 1999**

[54] **AUXILIARY VEHICLE LIGHT**

[75] Inventors: **Saied Hussaini; Marc Iacovelli**, both of Miami, Fla.

[73] Assignee: **Rally Manufacturing, Inc.**, Miami, Fla.

[**] Term: **14 Years**

[21] Appl. No.: **29/097,594**

[22] Filed: **Dec. 10, 1998**

[51] **LOC (6) Cl.** **26-03**

[52] **U.S. Cl.** **D26/29**

[58] **Field of Search** D26/28, 29, 36; 362/460, 464, 465, 467, 493, 499, 507, 512, 523, 529, 530, 538, 269, 275, 285, 287, 418, 419, 427

[56] **References Cited**

U.S. PATENT DOCUMENTS

D. 354,362	1/1995	Tsai	D26/29
D. 357,329	4/1995	Iacovelli	D26/29
D. 390,979	2/1998	Yamamoto	D26/29
5,611,510	3/1997	Yamamoto	362/269 X

Primary Examiner—Susan J. Lucas
Attorney, Agent, or Firm—Liniak, Berenato, Longacre & White

[57] **CLAIM**

The ornamental design for an auxiliary vehicle light, as shown and described.

DESCRIPTION

FIG. 1 is a front view of an auxiliary vehicle light showing my new design.

FIG. 2 is a rear view of the auxiliary vehicle light shown in FIG. 1.

FIG. 3 is a left side view of the auxiliary vehicle light shown in FIG. 1;

FIG. 4 is a right side view of the auxiliary vehicle light shown in FIG. 1

FIG. 5 is a top plan view of the auxiliary vehicle light shown in FIG. 1;

FIG. 6 is a bottom plan view of the auxiliary vehicle light shown in FIG. 1; and,

FIG. 7 is a top and left side perspective view of the light shown in FIG. 1.

The broken lines are shown for illustrative purposes only and form no part of the claimed design.

1 Claim, 4 Drawing Sheets

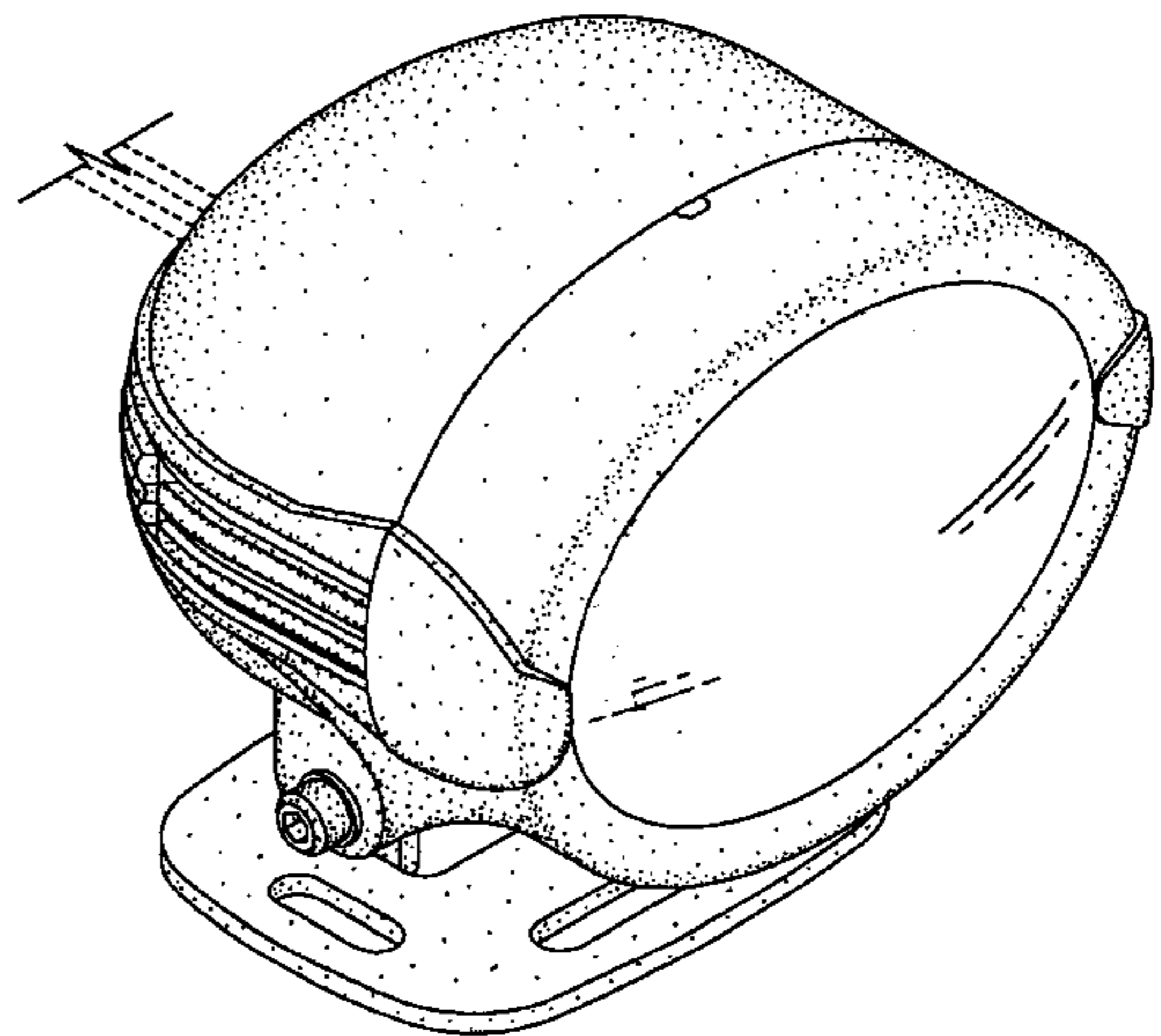
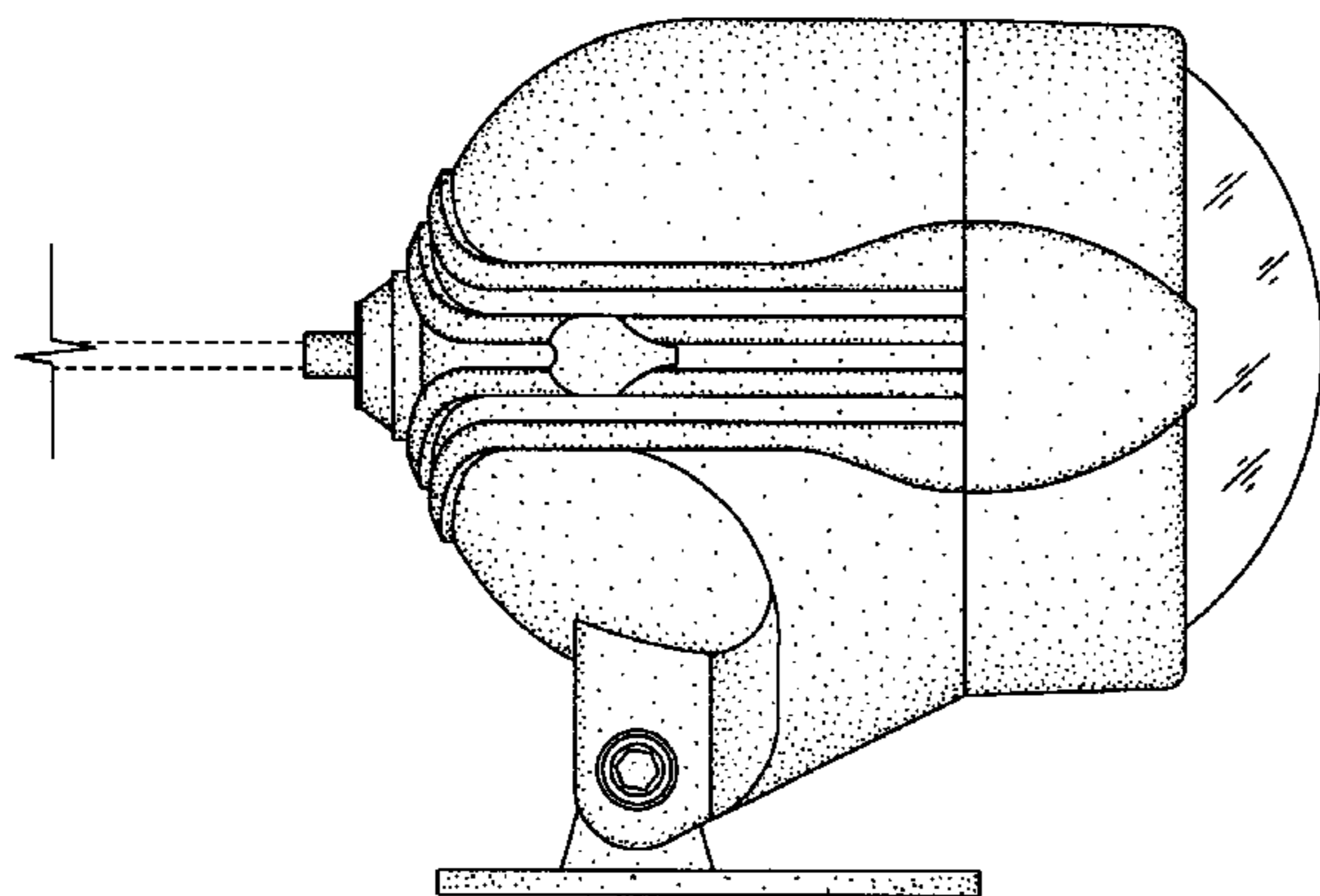


Fig. 1

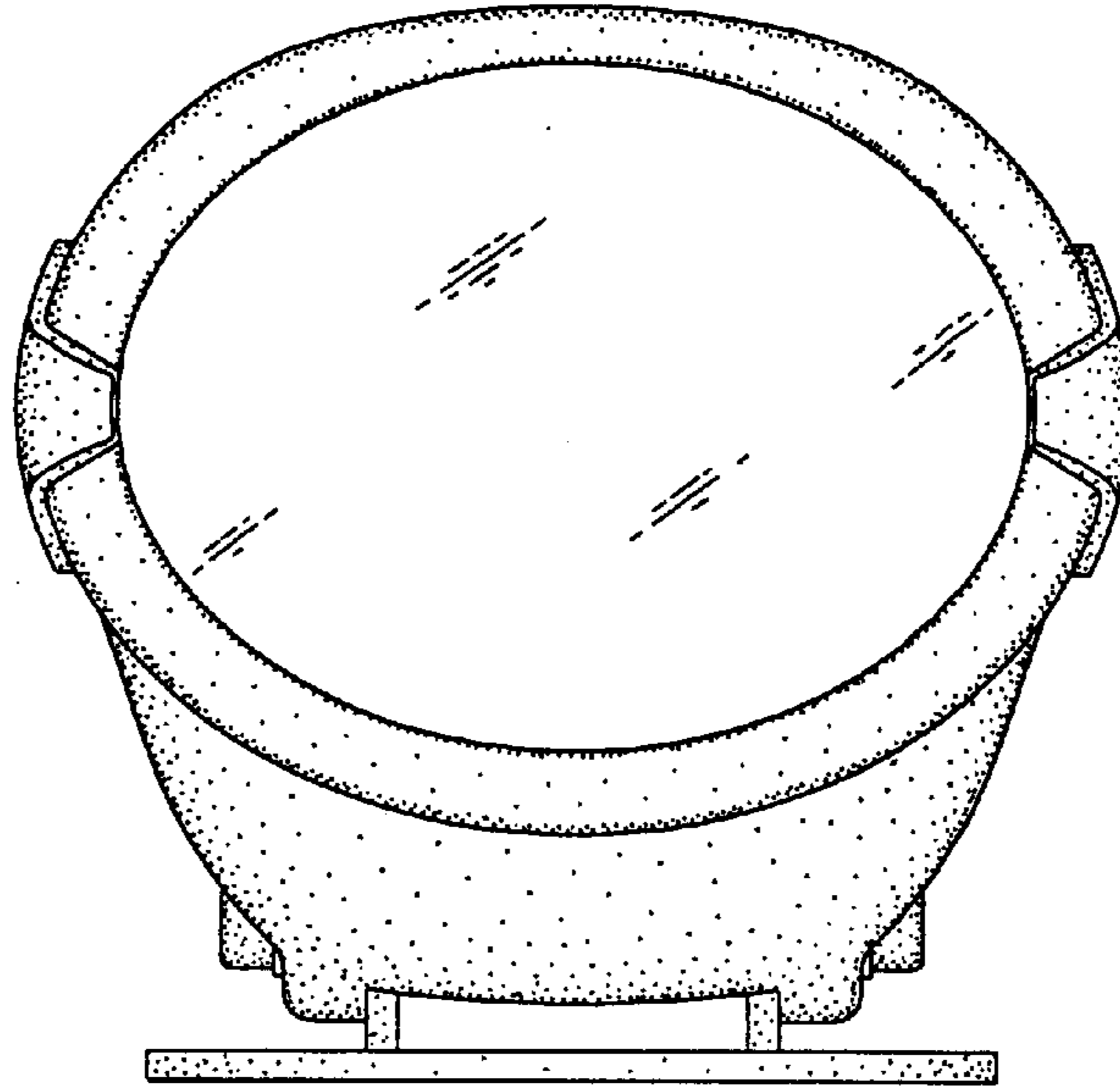


Fig. 2

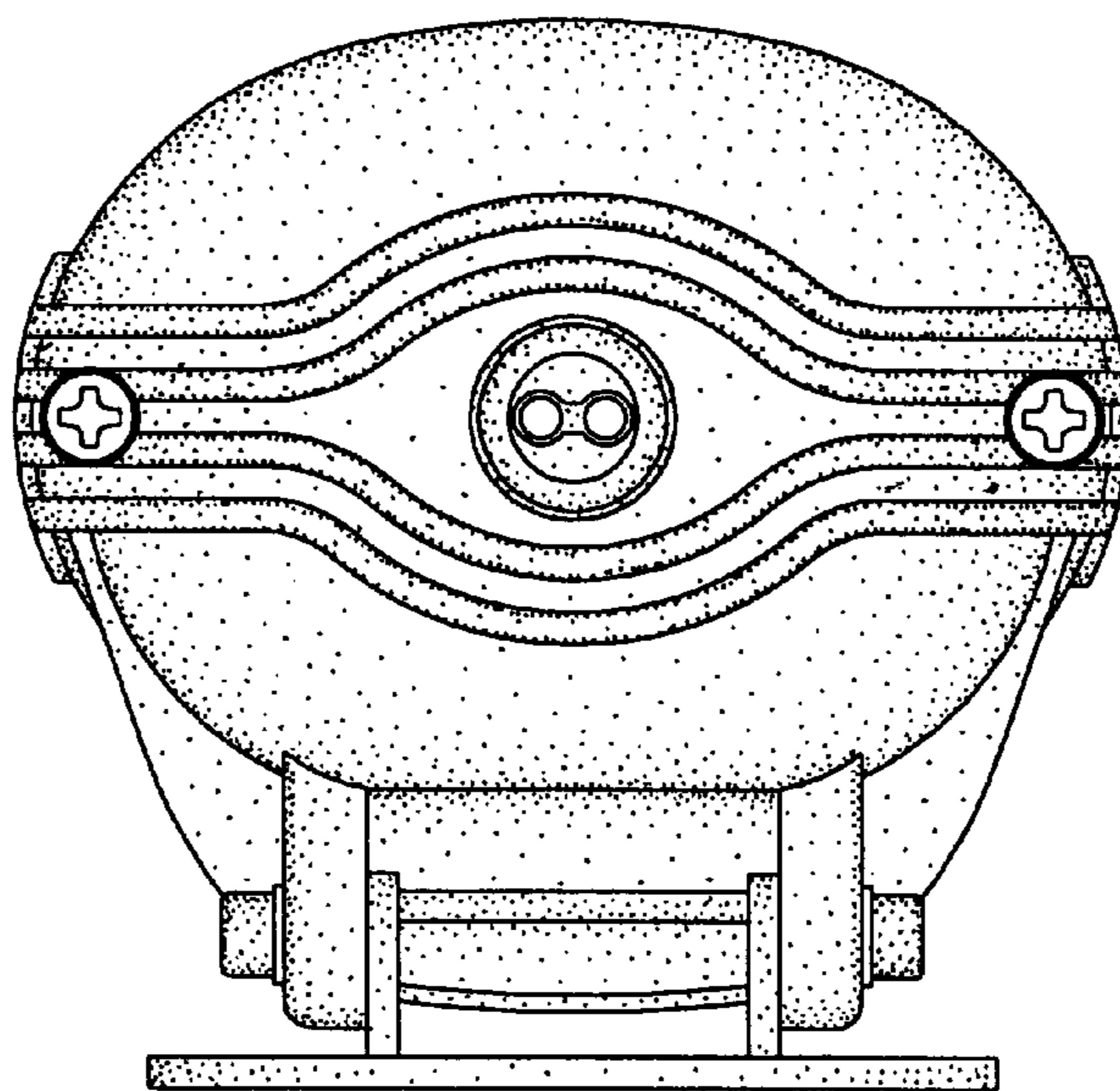


Fig. 3

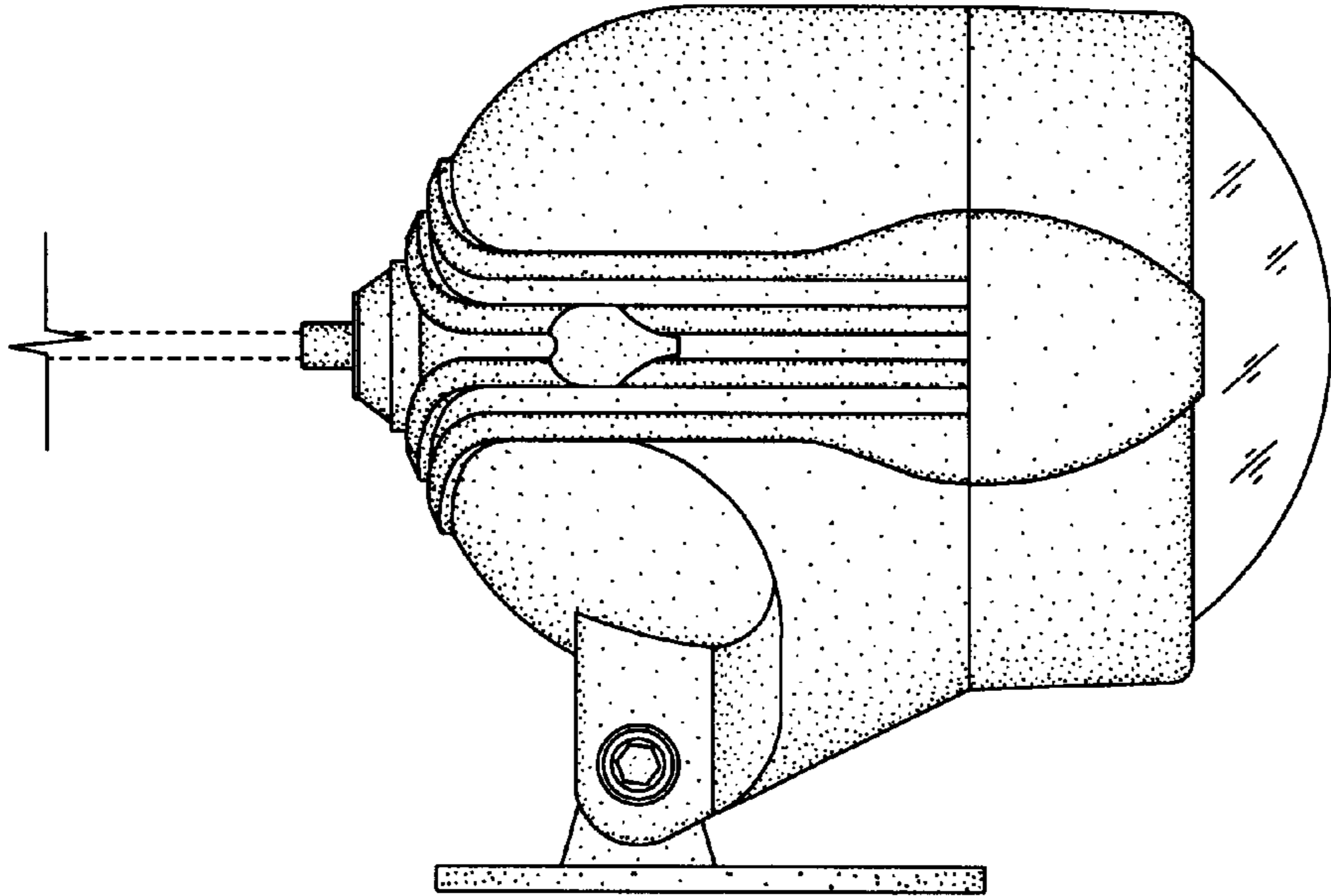


Fig. 4

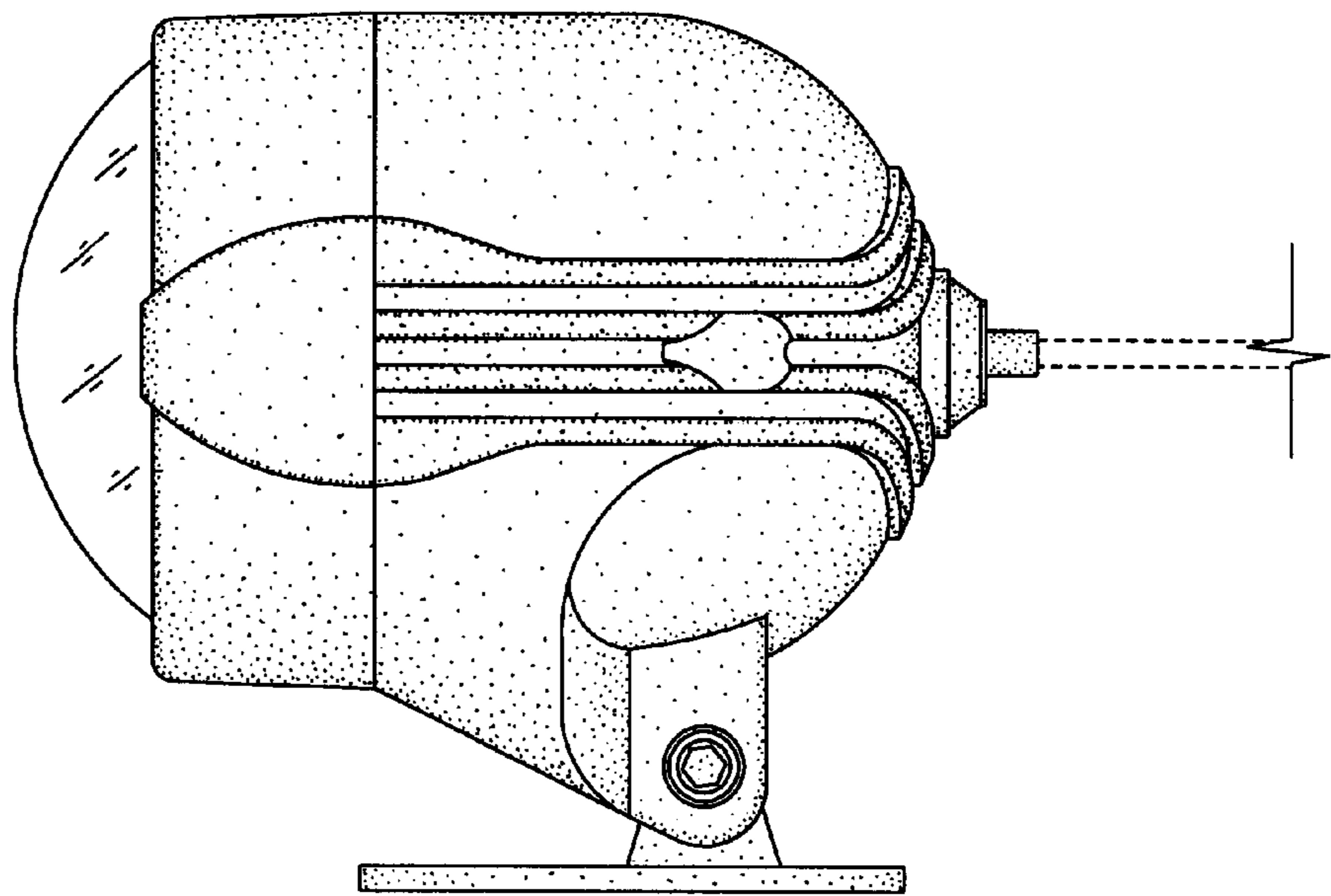


Fig. 5

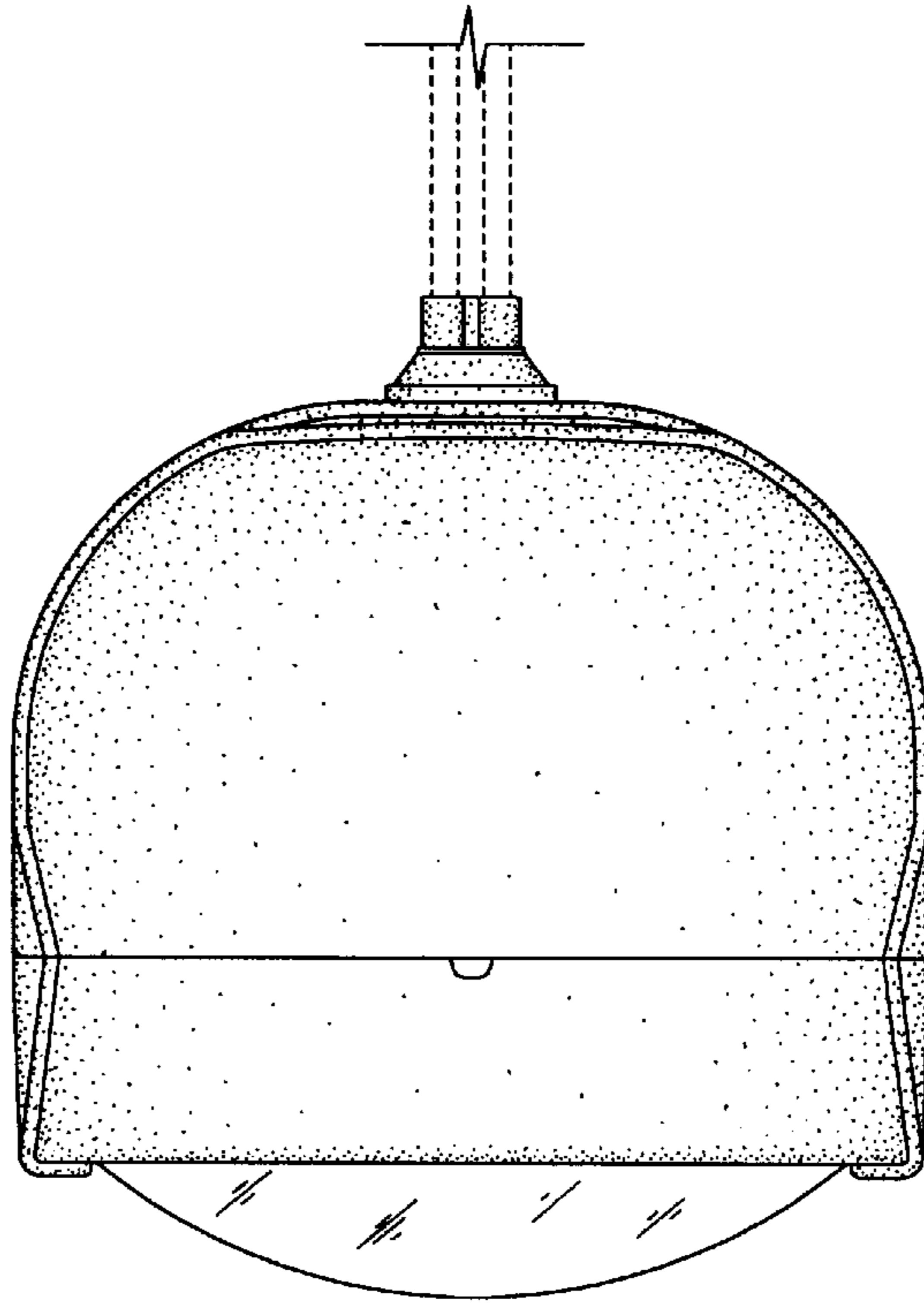


Fig. 6

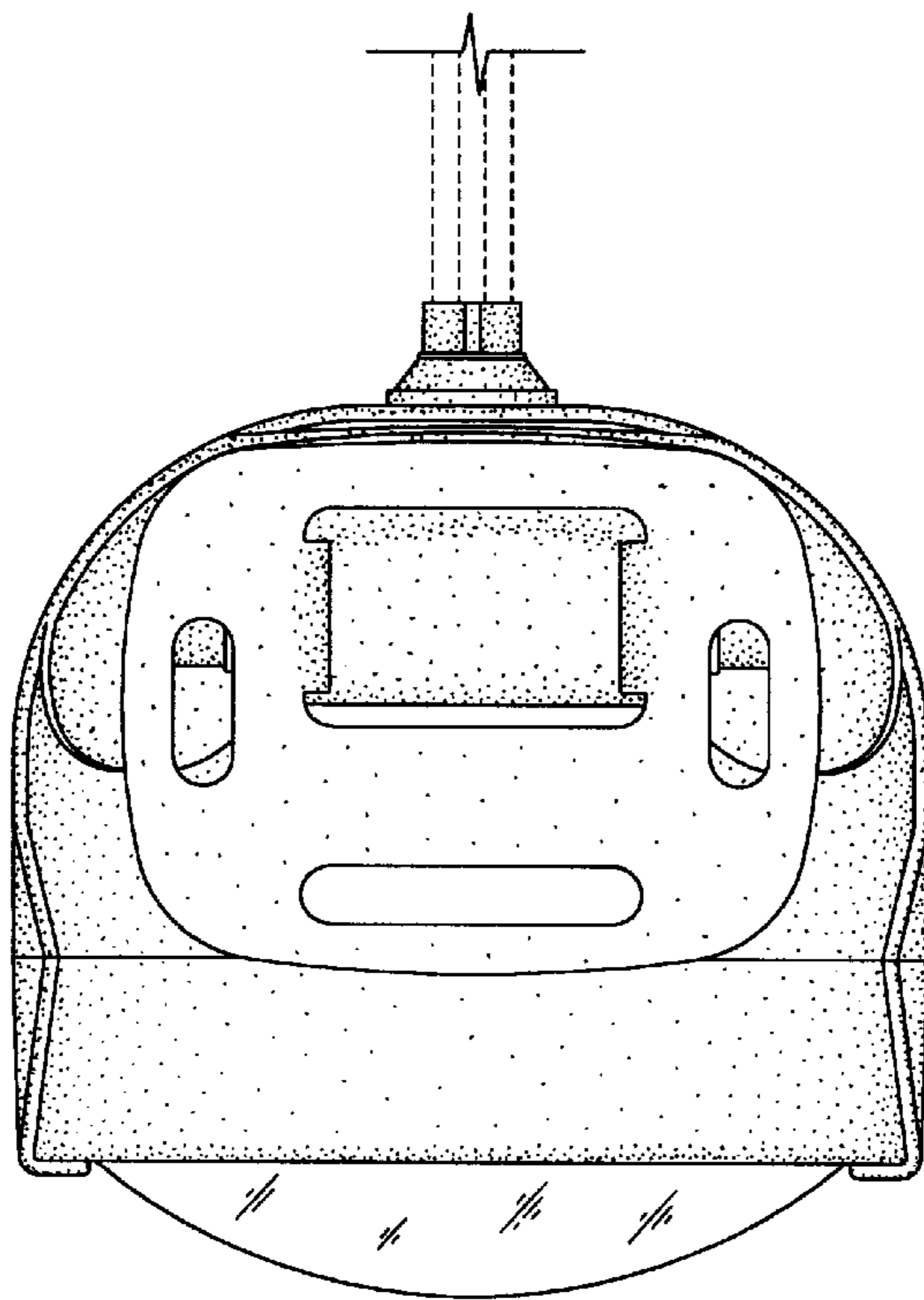


Fig. 7

