



US00D413688S

United States Patent [19] Poon

[11] **Patent Number: Des. 413,688**

[45] **Date of Patent: ** Sep. 7, 1999**

[54] **FLASHLIGHT FOR MOTOR VEHICLE**

[75] Inventor: **Tit Ying Poon**, Shatin, The Hong Kong Special Administrative Region of the People's Republic of China

[73] Assignee: **Flying Dragon Development Ltd.**, Shatin, The Hong Kong Special Administrative Region of the People's Republic of China

[**] Term: **14 Years**

[21] Appl. No.: **29/098,386**

[22] Filed: **Dec. 29, 1998**

[51] **LOC (6) Cl.** **26-06**

[52] **U.S. Cl.** **D26/28**

[58] **Field of Search** D26/28, 36; 362/157, 362/158, 183-202, 205, 206, 72, 74

[56] **References Cited**

U.S. PATENT DOCUMENTS

D. 346,670	5/1994	Ueda	D26/28
D. 357,989	5/1995	Nagano	D26/28
D. 366,128	1/1996	Jessing	D26/28
D. 403,089	12/1998	Arribard	D26/28

Primary Examiner—Marcus A. Jackson
Attorney, Agent, or Firm—Alix, Yale & Ristas, LLP

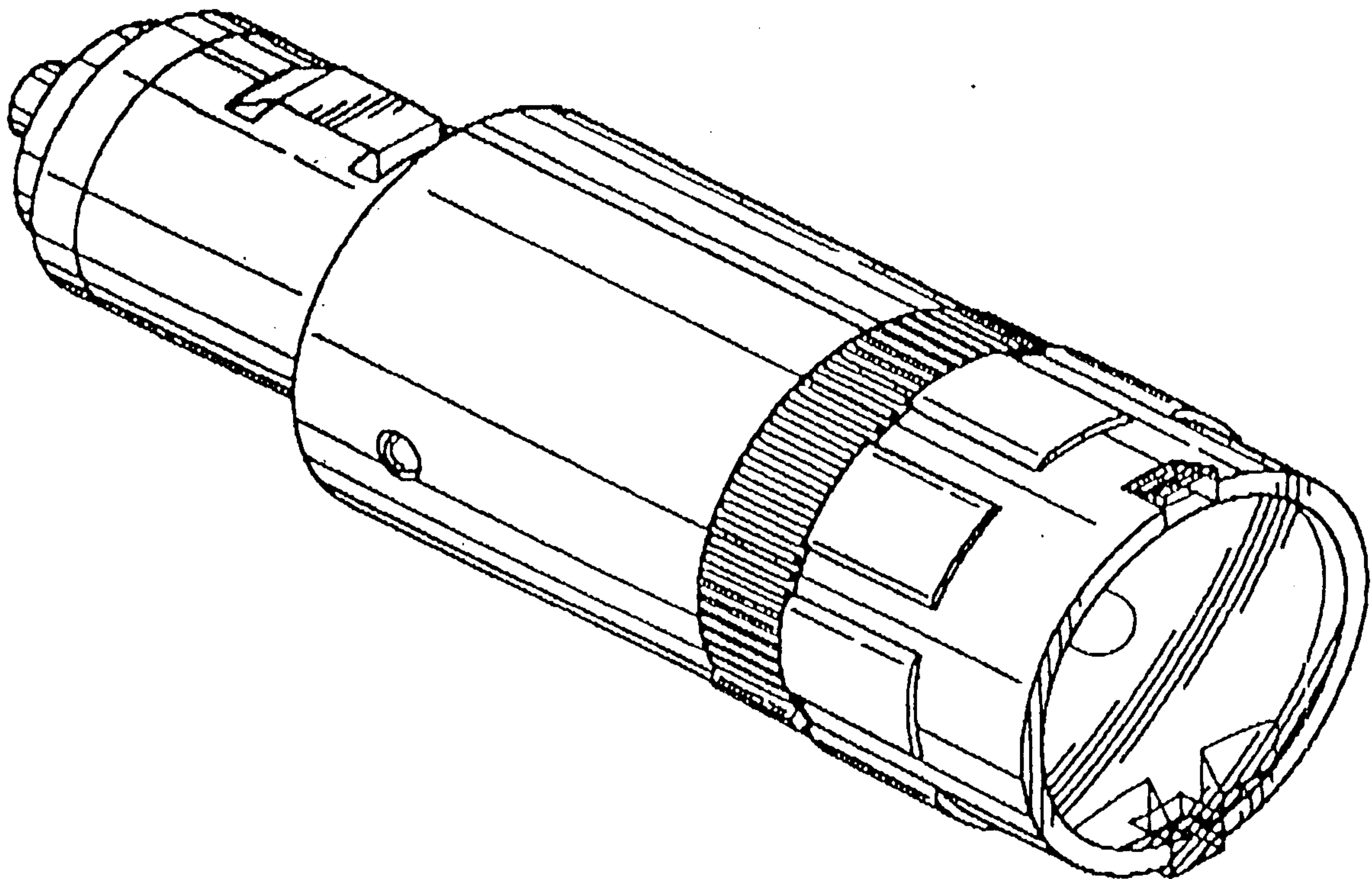
[57] **CLAIM**

The ornamental design for a flashlight for motor vehicle, as shown.

DESCRIPTION

FIG. 1 is a frontal perspective view of the flashlight for motor vehicle showing my new design;
 FIG. 2 is a frontal perspective view with cap opened of the flashlight for motor vehicle of FIG. 1;
 FIG. 3 is a front view of the flashlight for motor vehicle of FIG. 1;
 FIG. 4 is a rear view of the flashlight for motor vehicle of FIG. 1;
 FIG. 5 is a left side view of the flashlight for motor vehicle of FIG. 1;
 FIG. 6 is a right side view of the flashlight for motor vehicle of FIG. 1;
 FIG. 7 is a top plan view of the flashlight for motor vehicle of FIG. 1; and,
 FIG. 8 is a bottom plan view of the flashlight for motor vehicle of FIG. 1.

1 Claim, 3 Drawing Sheets



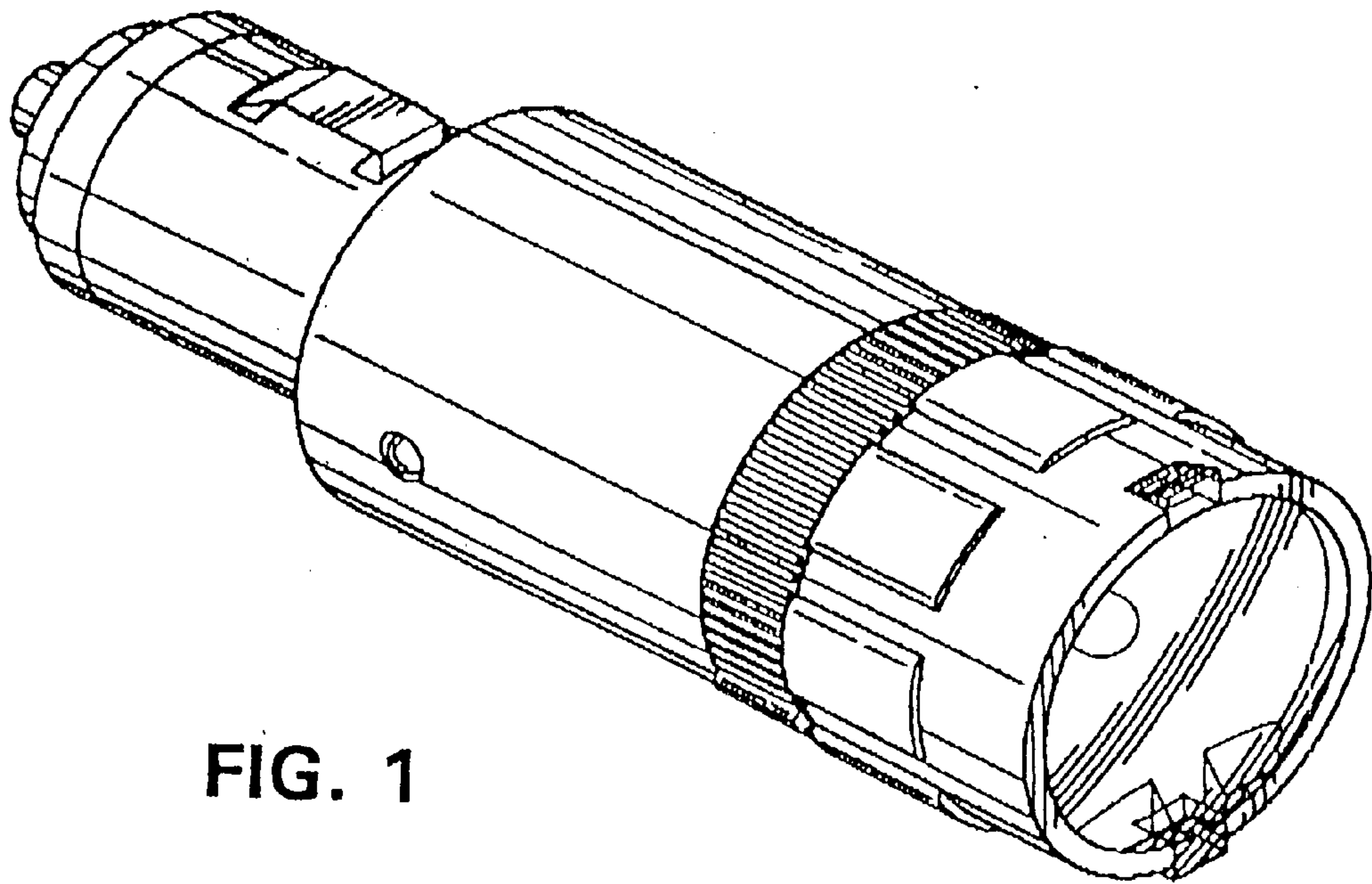


FIG. 1

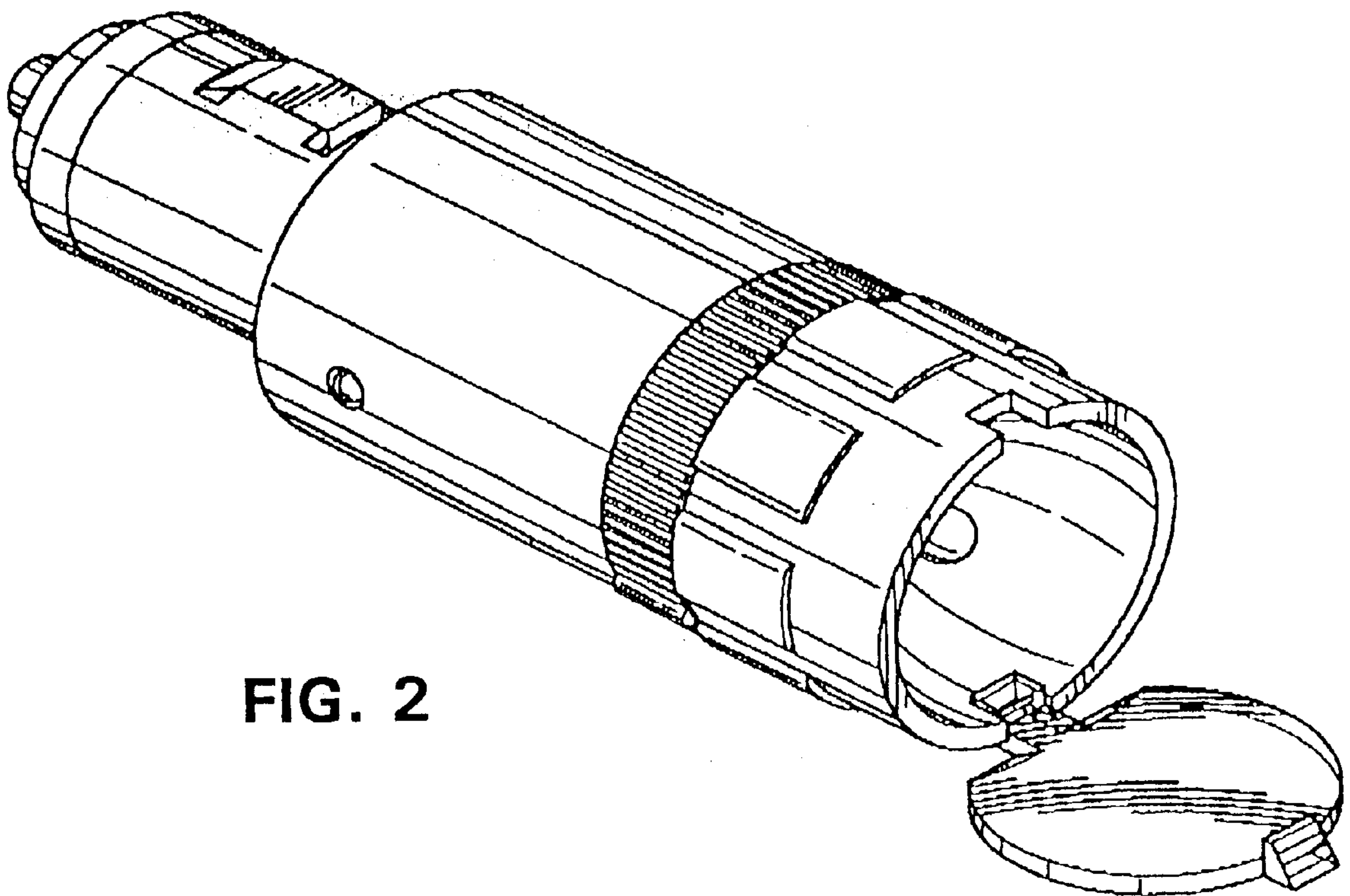


FIG. 2

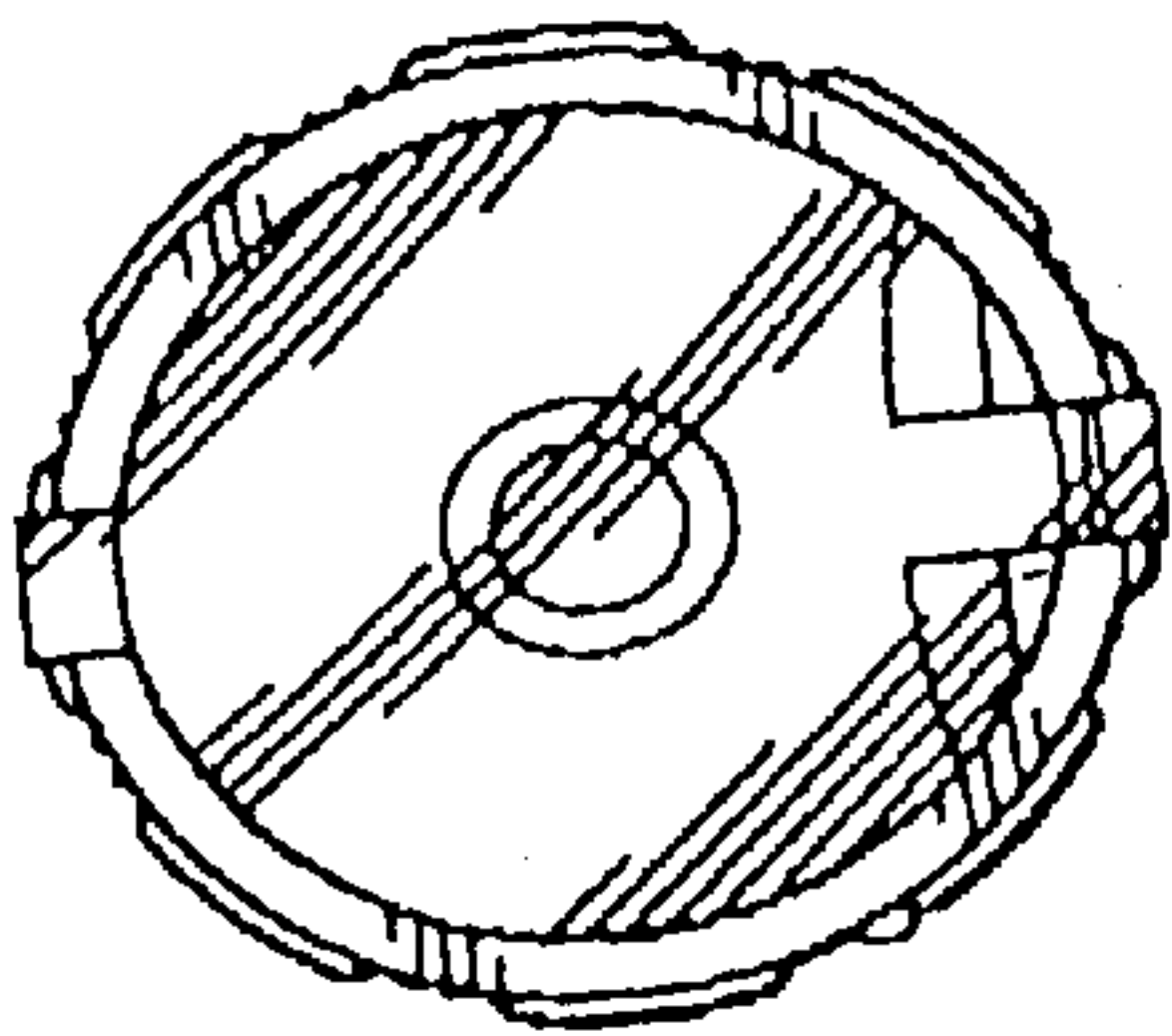


FIG. 3

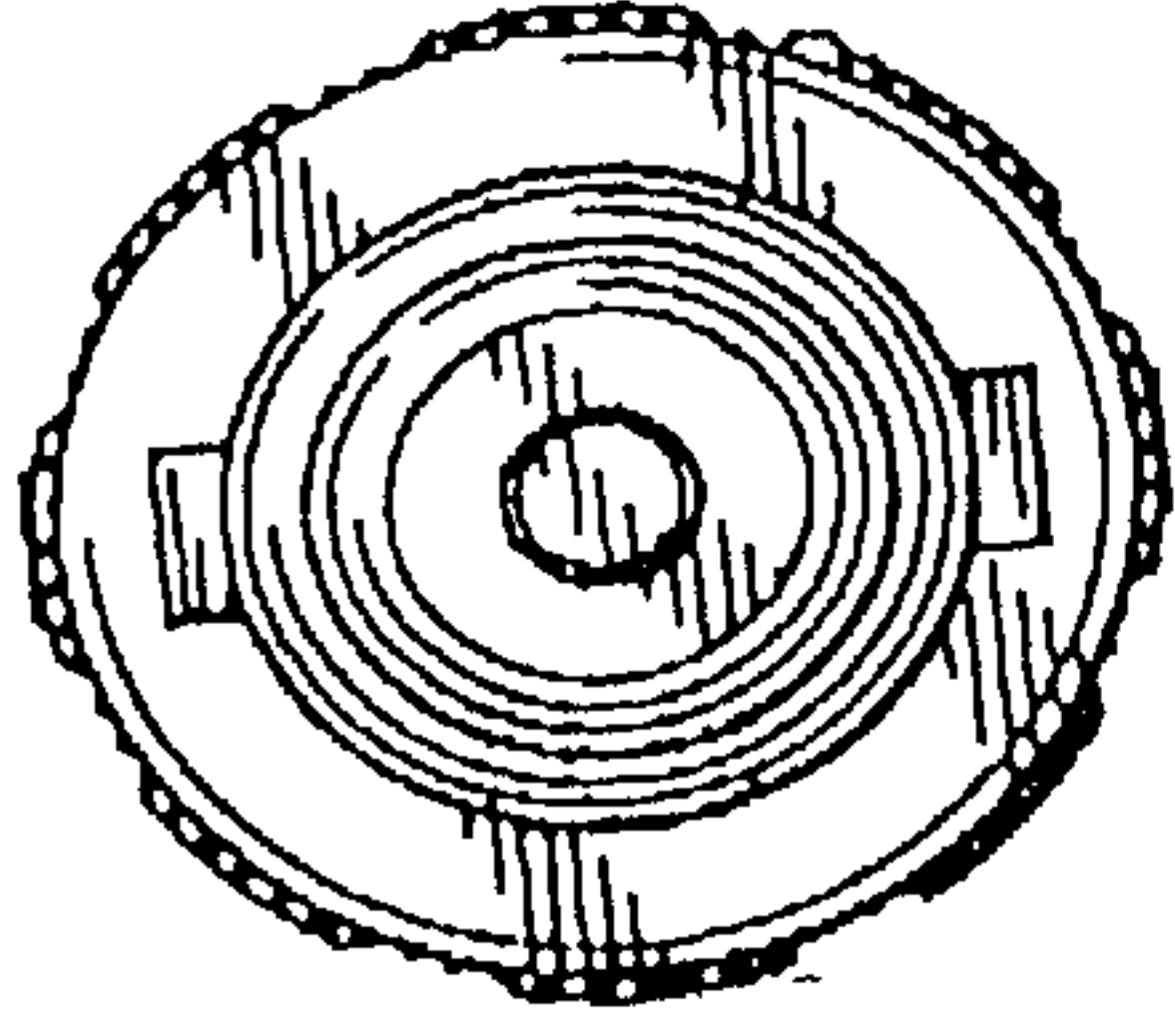


FIG. 4

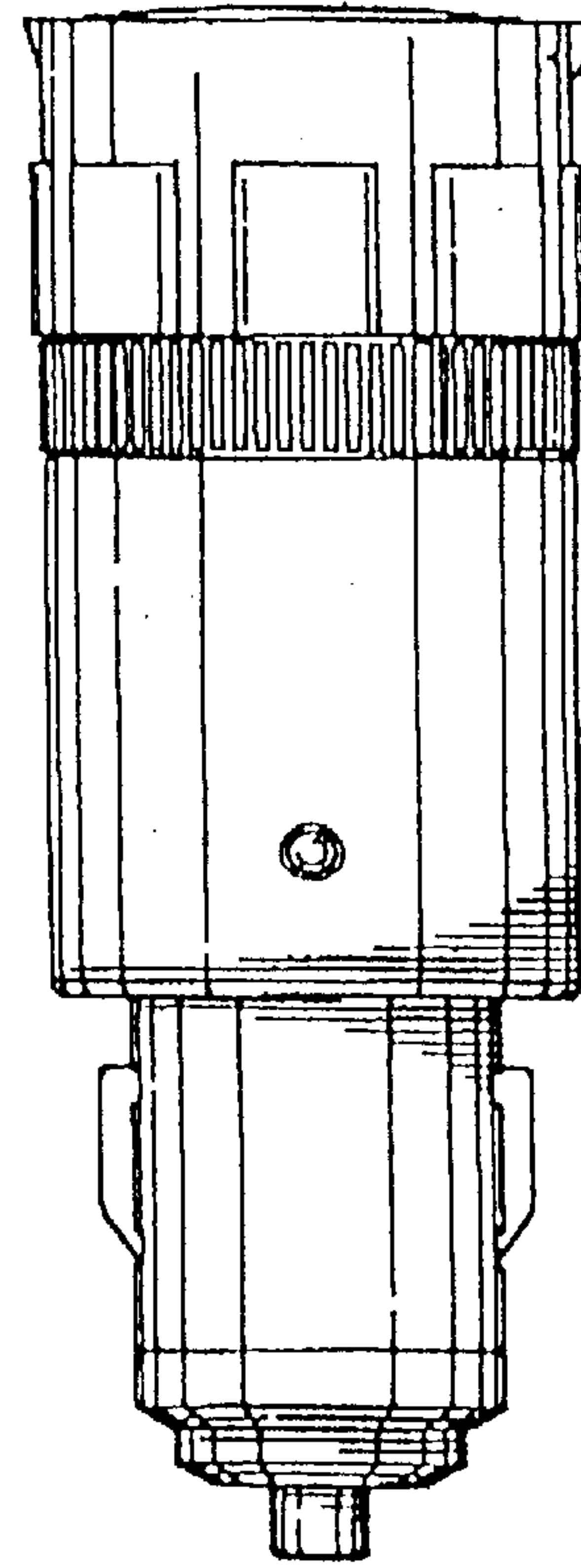


FIG. 5

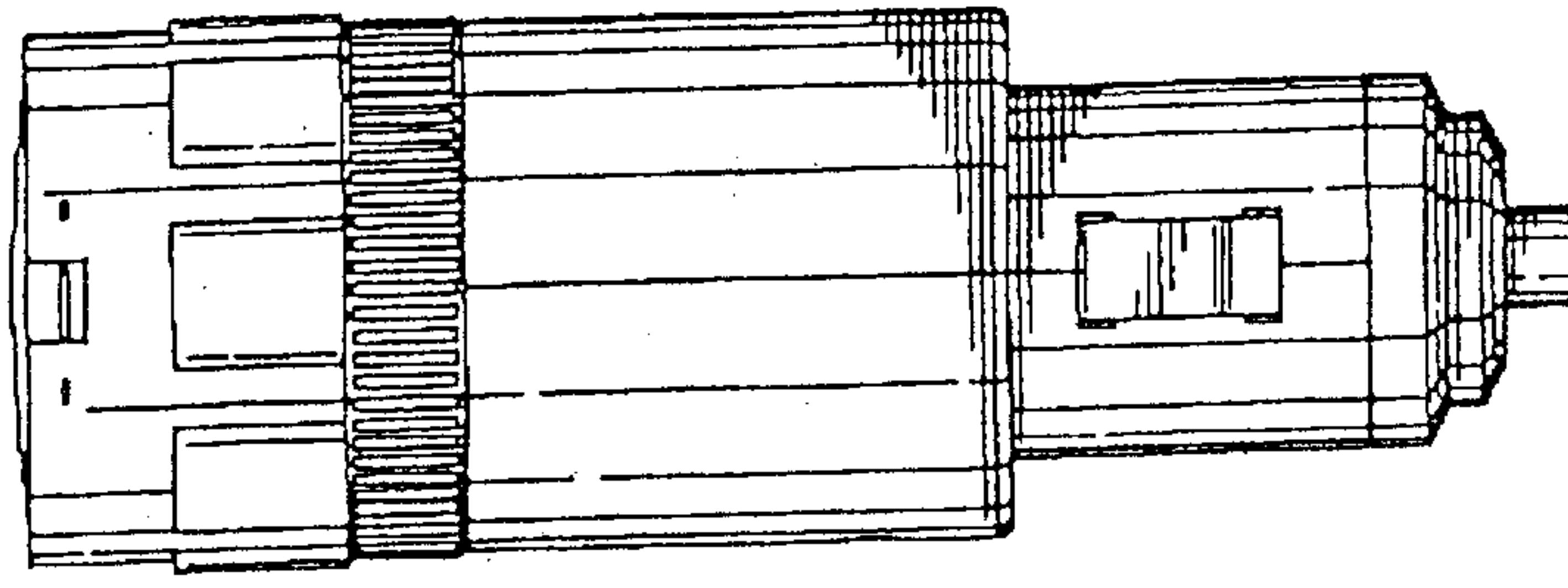


FIG. 8

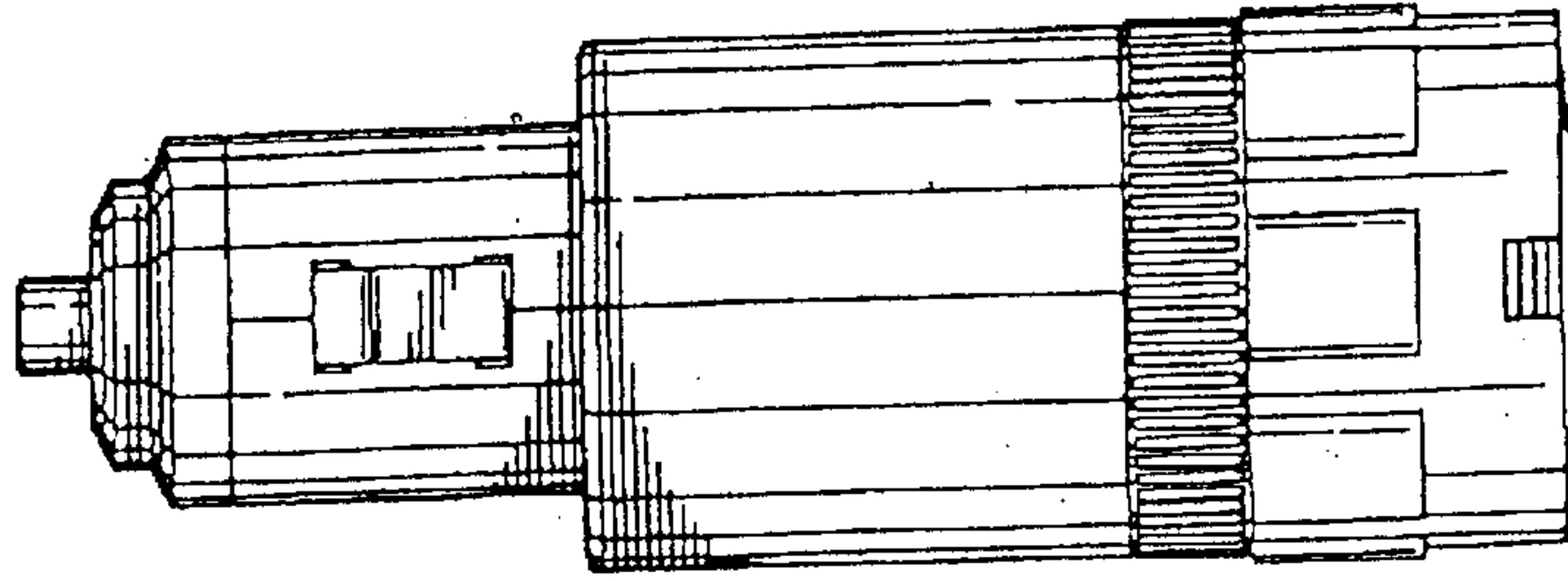


FIG. 7

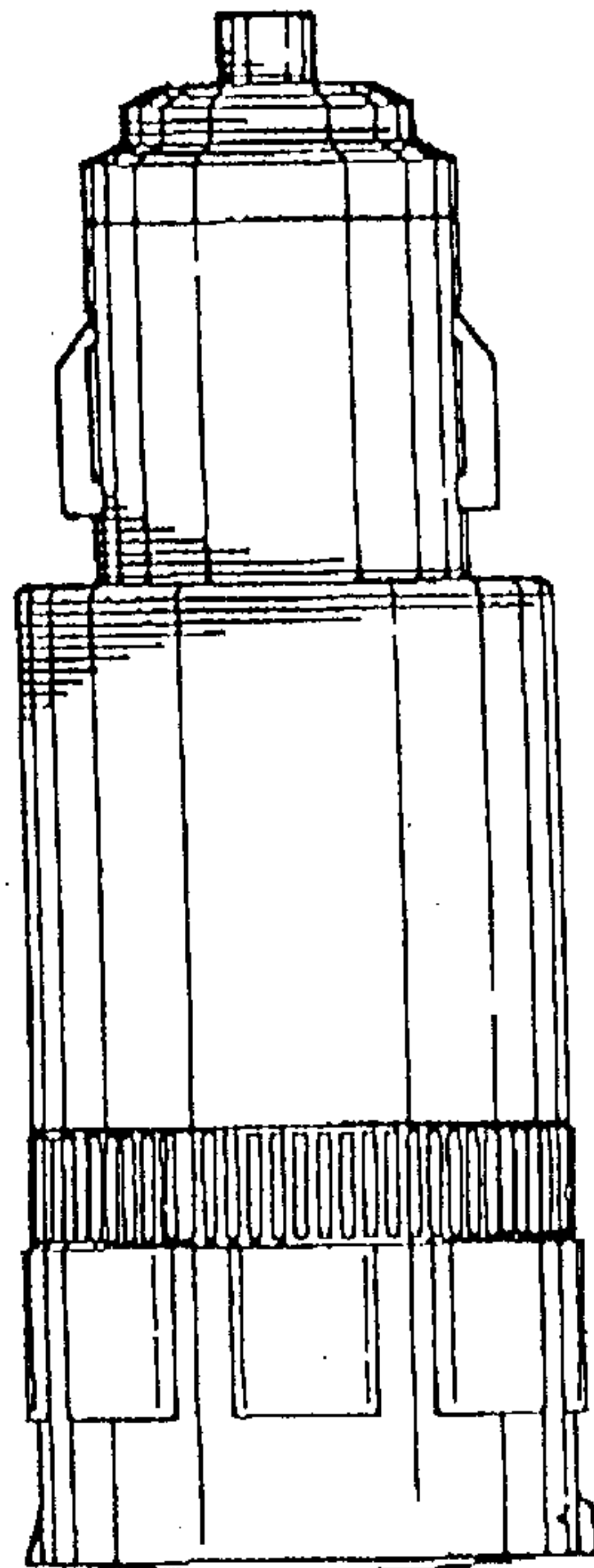


FIG. 6