



US00D413687S

United States Patent [19]
Darby

[11] **Patent Number: Des. 413,687**

[45] **Date of Patent: ** Sep. 7, 1999**

[54] **RECREATIONAL VEHICLE TAIL LIGHT**

[75] Inventor: **Spencer A. Darby**, West Bend, Wis.

[73] Assignee: **Wesbar Corporation**, West Bend, Wis.

[**] Term: **14 Years**

[21] Appl. No.: **29/080,263**

[22] Filed: **Dec. 5, 1997**

[51] **LOC (6) Cl.** **26-06**

[52] **U.S. Cl.** **D26/28**

[58] **Field of Search** D26/28-36; 362/61,
362/80, 81, 82, 83, 83.4, 267, 269, 275

[56] **References Cited**

U.S. PATENT DOCUMENTS

D. 296,937	7/1988	Inada	D26/28
D. 301,629	6/1989	Jiroubou	D26/28
D. 302,320	7/1989	Toyota	D26/28
D. 323,899	2/1992	La Pointe	D26/28
D. 377,838	2/1997	Malhotra	D26/28
D. 399,983	10/1998	Cadotte et al.	D26/28

Primary Examiner—Marcus A. Jackson

Attorney, Agent, or Firm—Andrus, Scales, Starke & Sawall

[57] **CLAIM**

The ornamental design for a recreational vehicle tail light, as shown and described.

DESCRIPTION

FIG. 1 is a perspective view of the recreational vehicle tail light;

FIG. 2 is a front view of the recreational vehicle tail light;

FIG. 3 is a rear view of the recreational vehicle tail light;

FIG. 4 is a top plan view of the recreational vehicle tail light;

FIG. 5 is a bottom view of the recreational vehicle tail light;

FIG. 6 is a left side elevation of the recreational vehicle tail light;

FIG. 7 is a right side elevation of the recreational vehicle tail light;

FIG. 8 is a perspective view of a modified form of the recreational vehicle tail light;

FIG. 9 is a front view of the recreational vehicle tail light shown in FIG. 8;

FIG. 10 is a bottom view of the recreational vehicle tail light of FIG. 8;

FIG. 11 is a top plan view of the recreational vehicle tail light of FIG. 8;

FIG. 12 is a bottom view of the recreational vehicle tail light of FIG. 8;

FIG. 13 is a left side elevation of the recreational vehicle tail light of FIG. 8; and,

FIG. 14 is a right side elevation of the recreational vehicle tail light of FIG. 8.

1 Claim, 6 Drawing Sheets

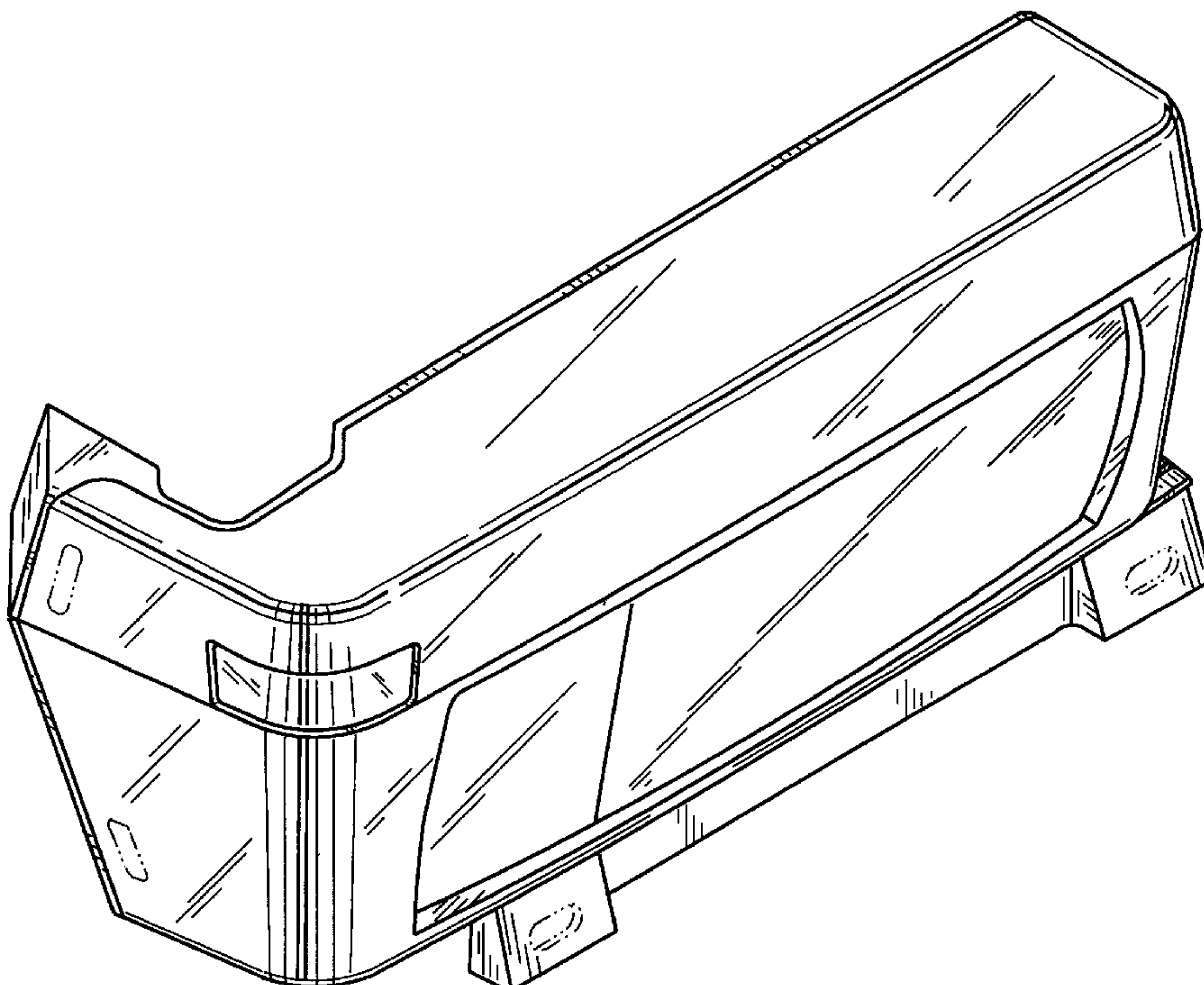


FIG. 1

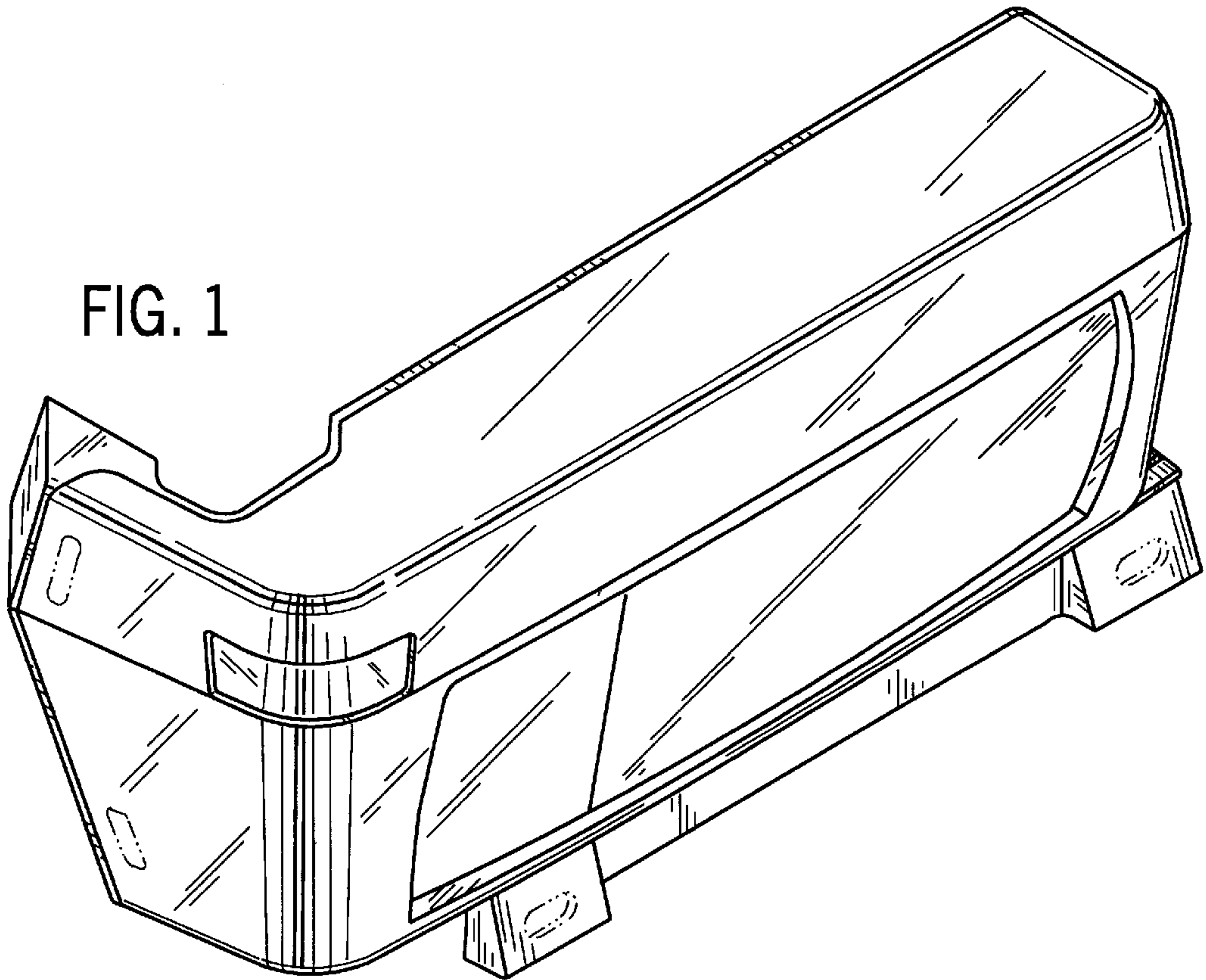


FIG. 6

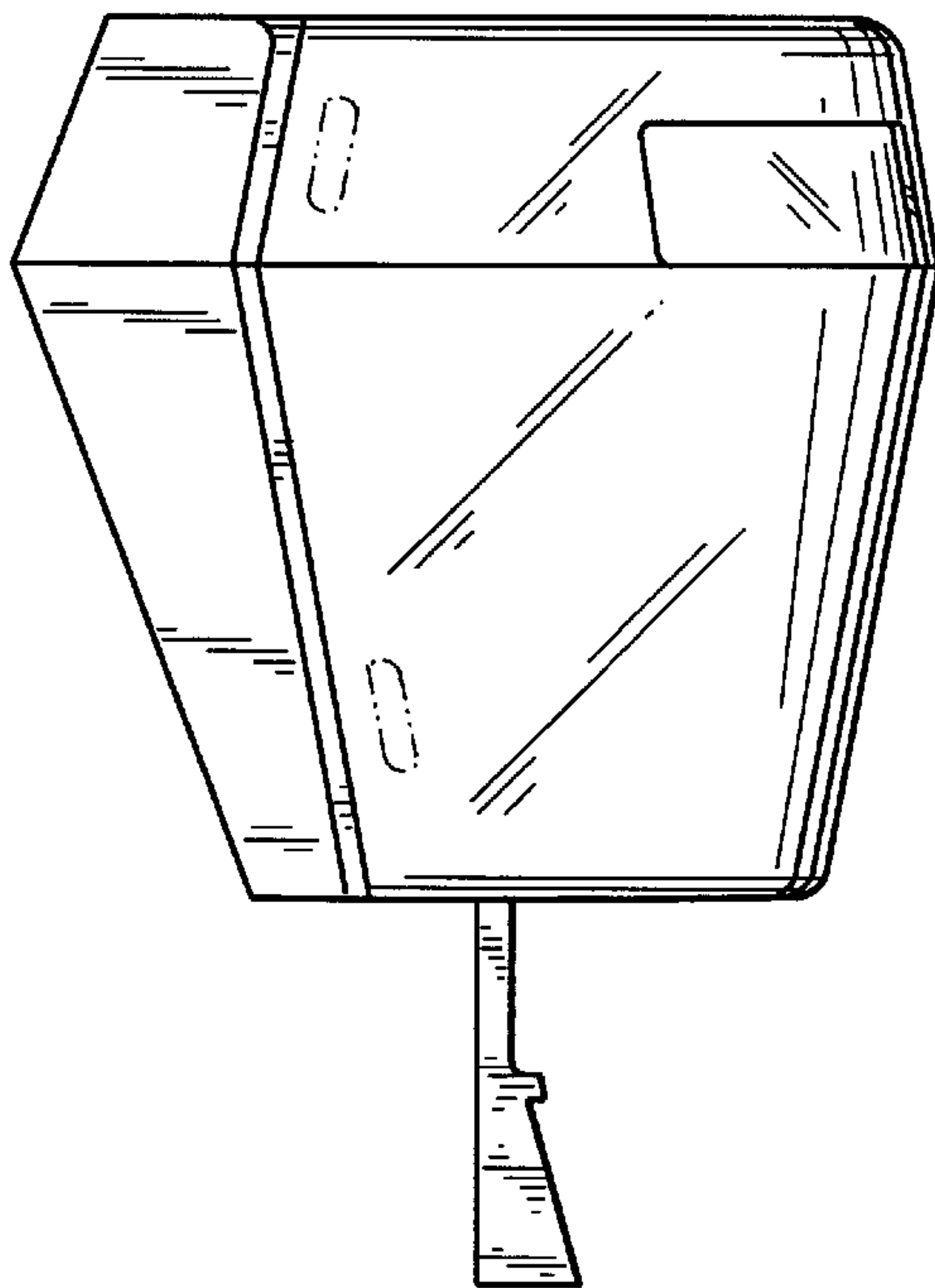
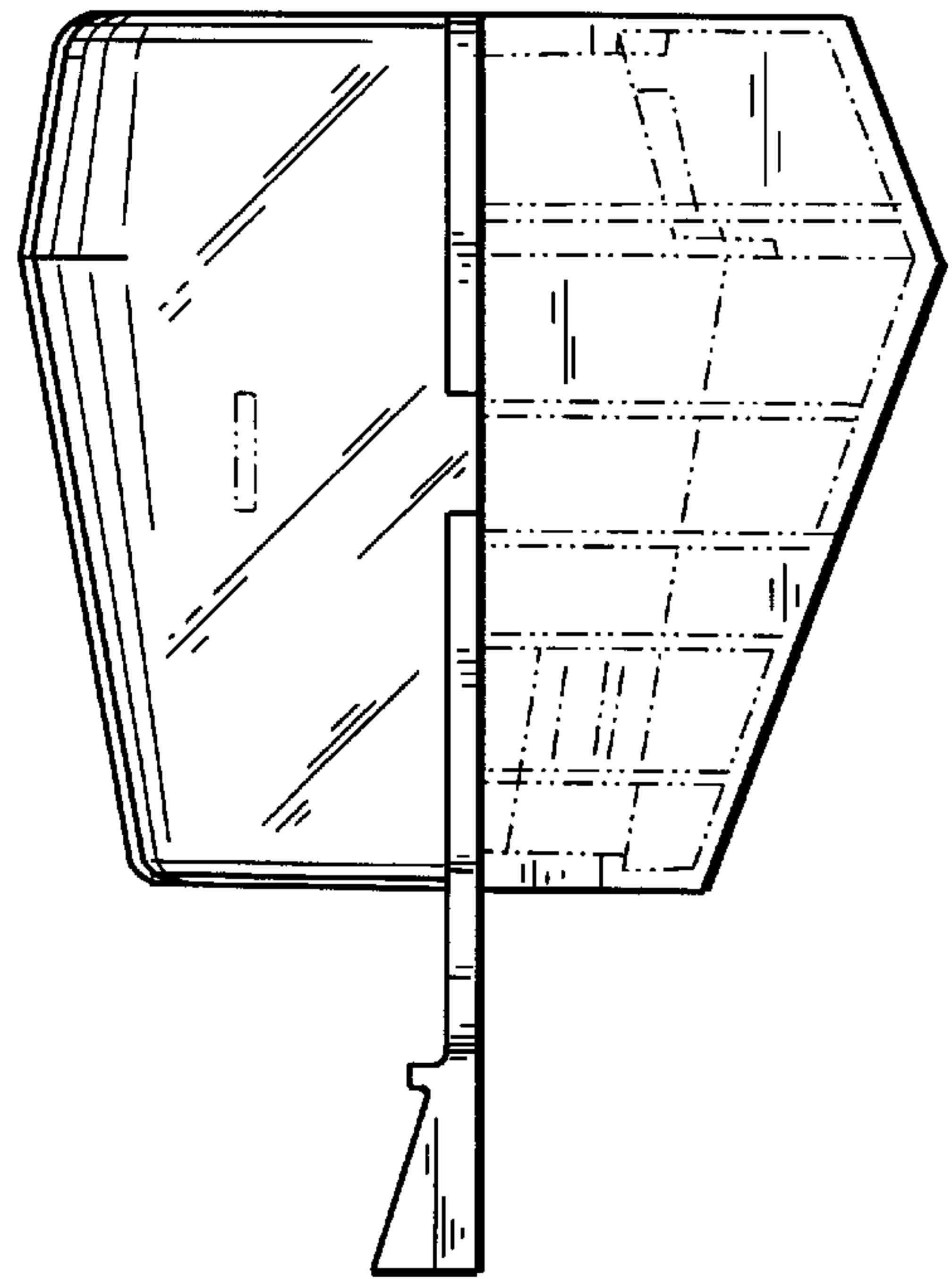


FIG. 7



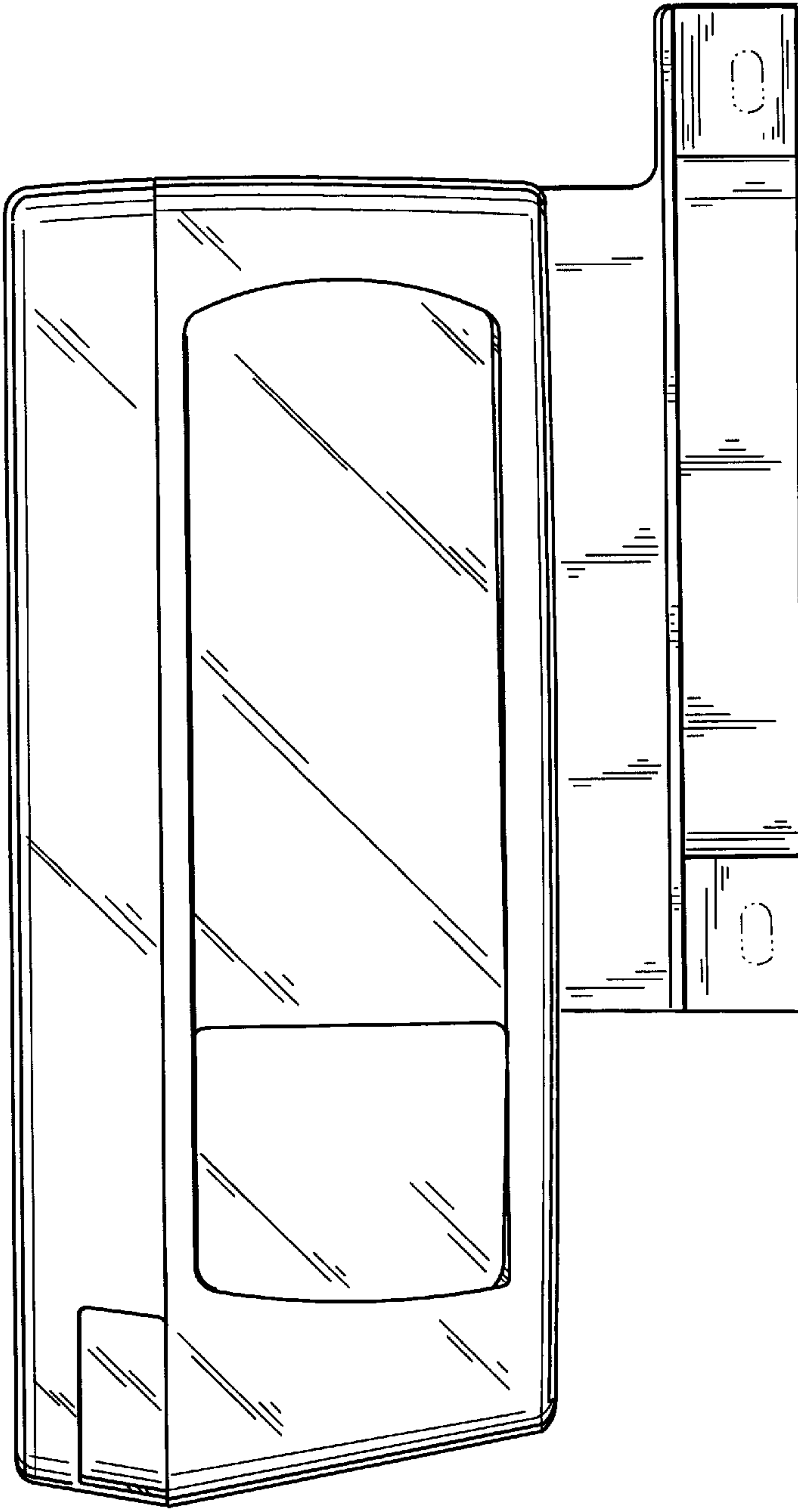


FIG. 2

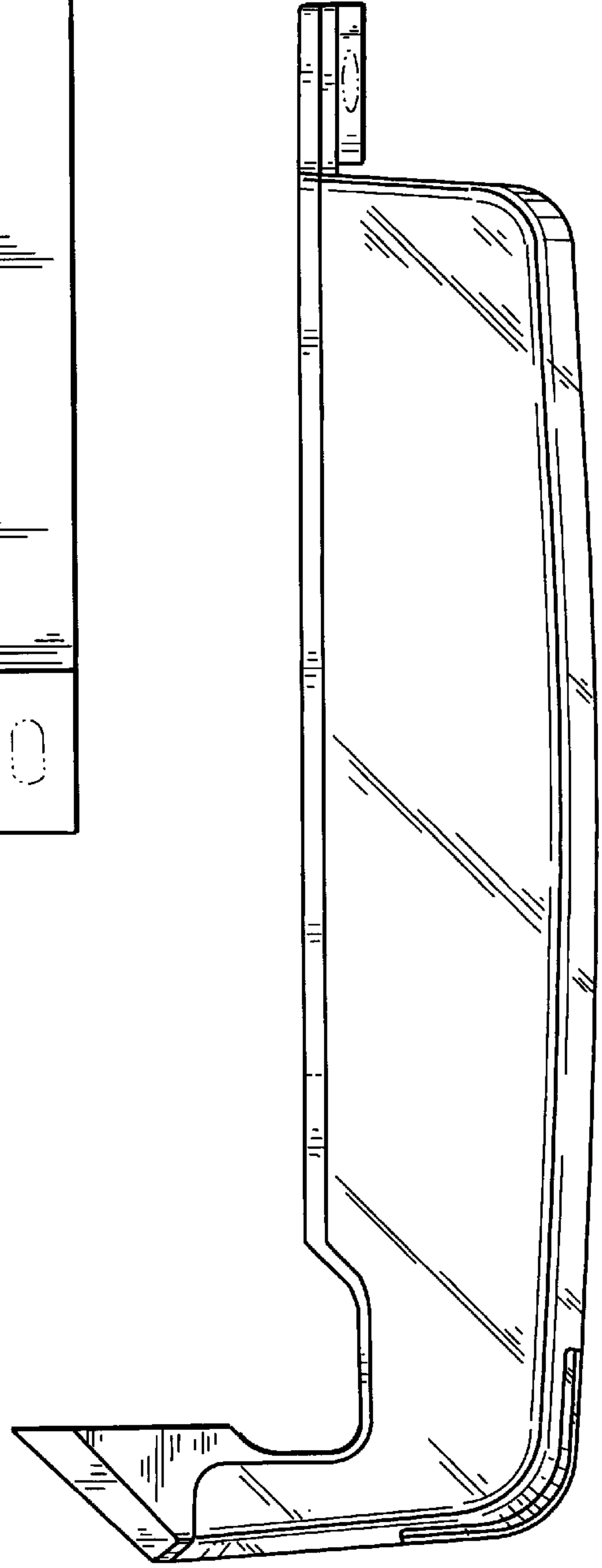


FIG. 4

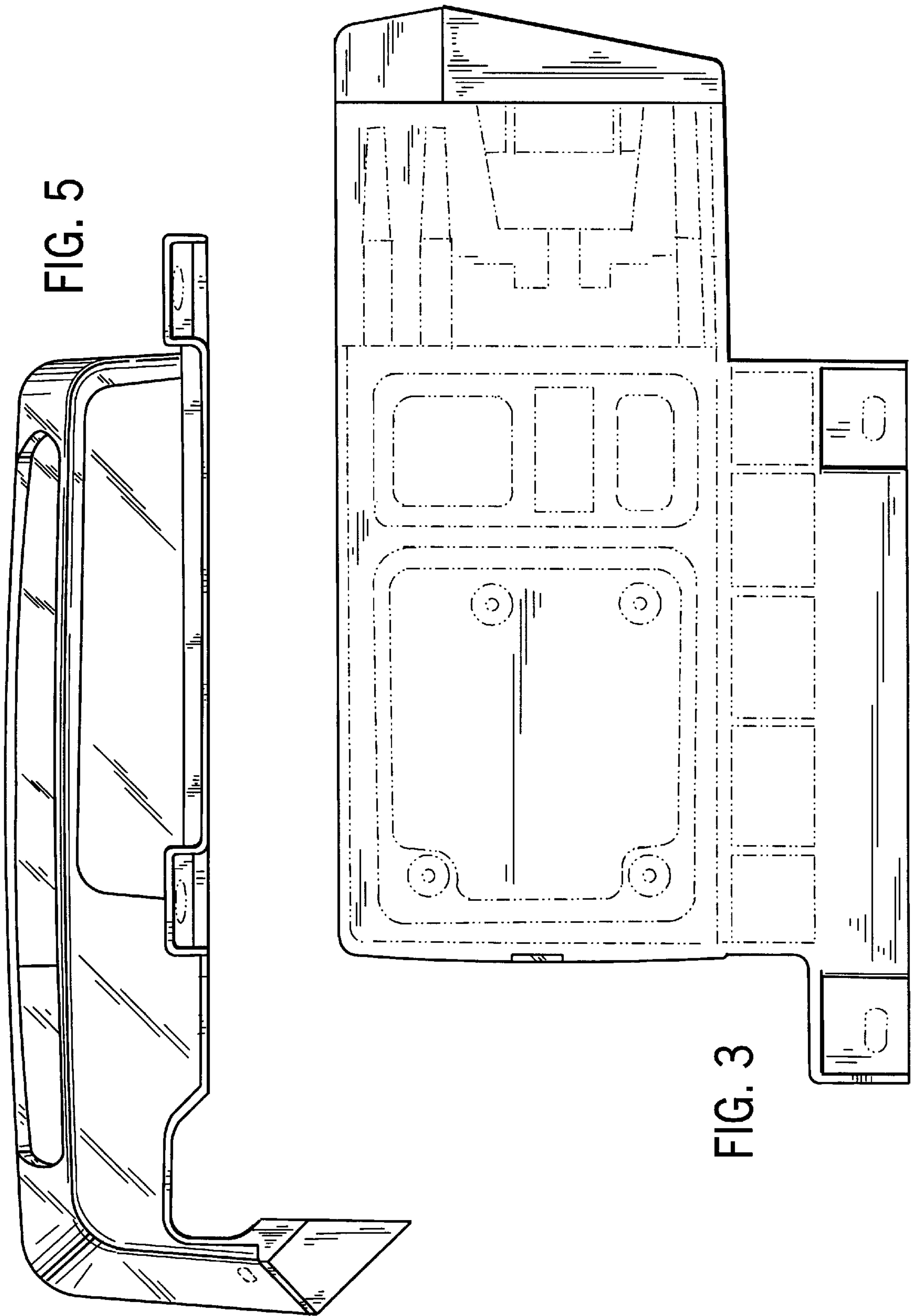


FIG. 5

FIG. 3

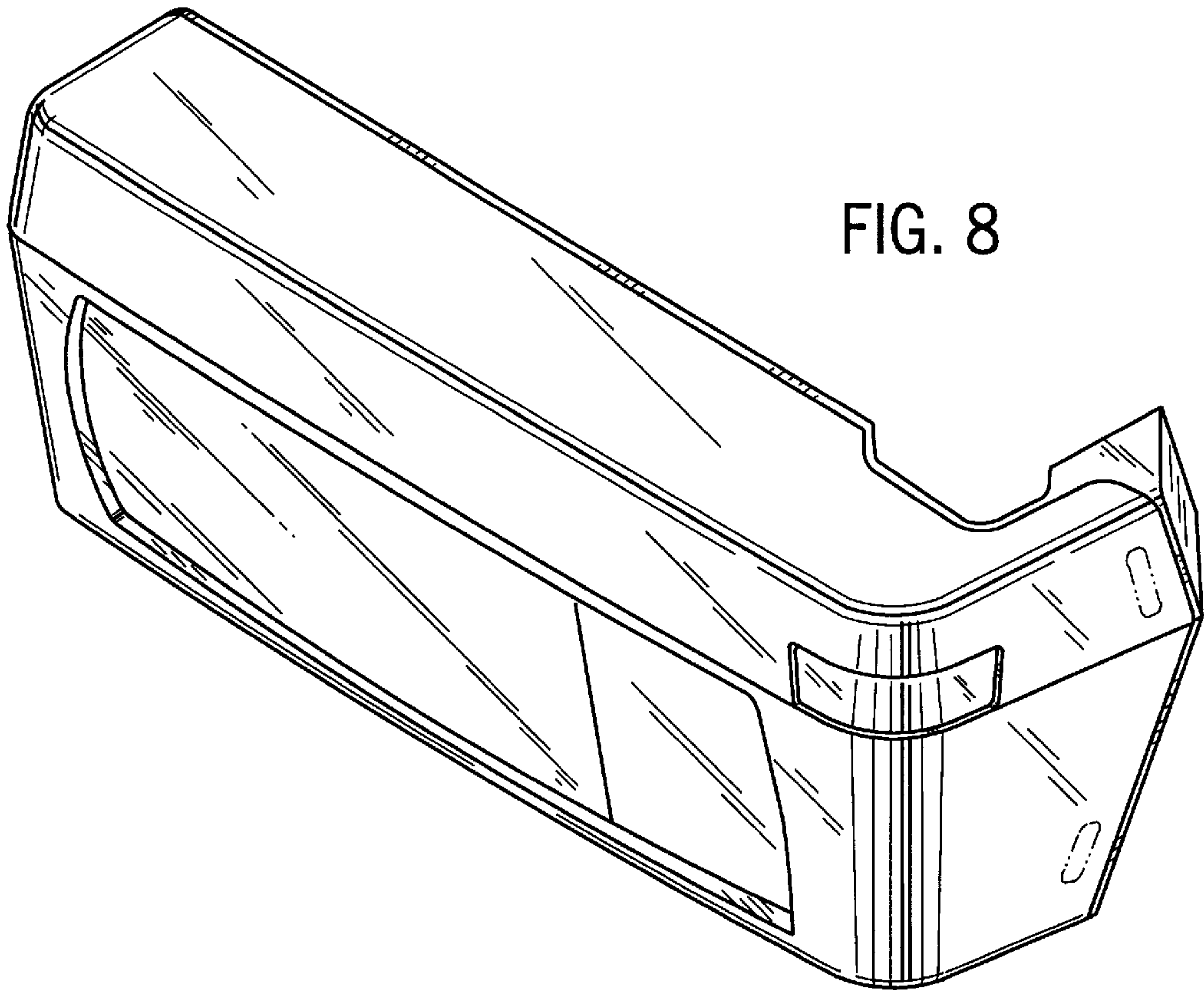


FIG. 8

FIG. 13

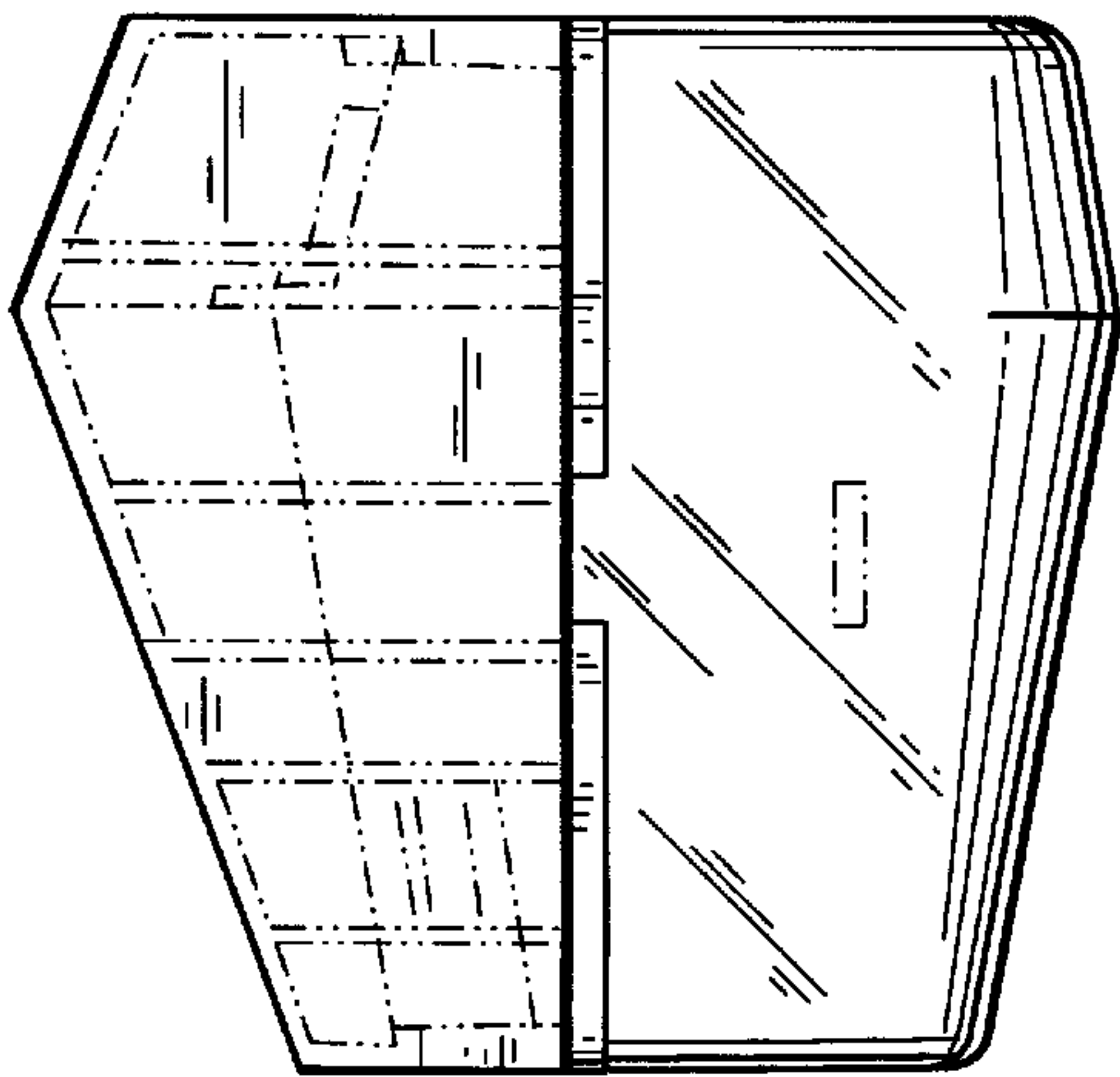
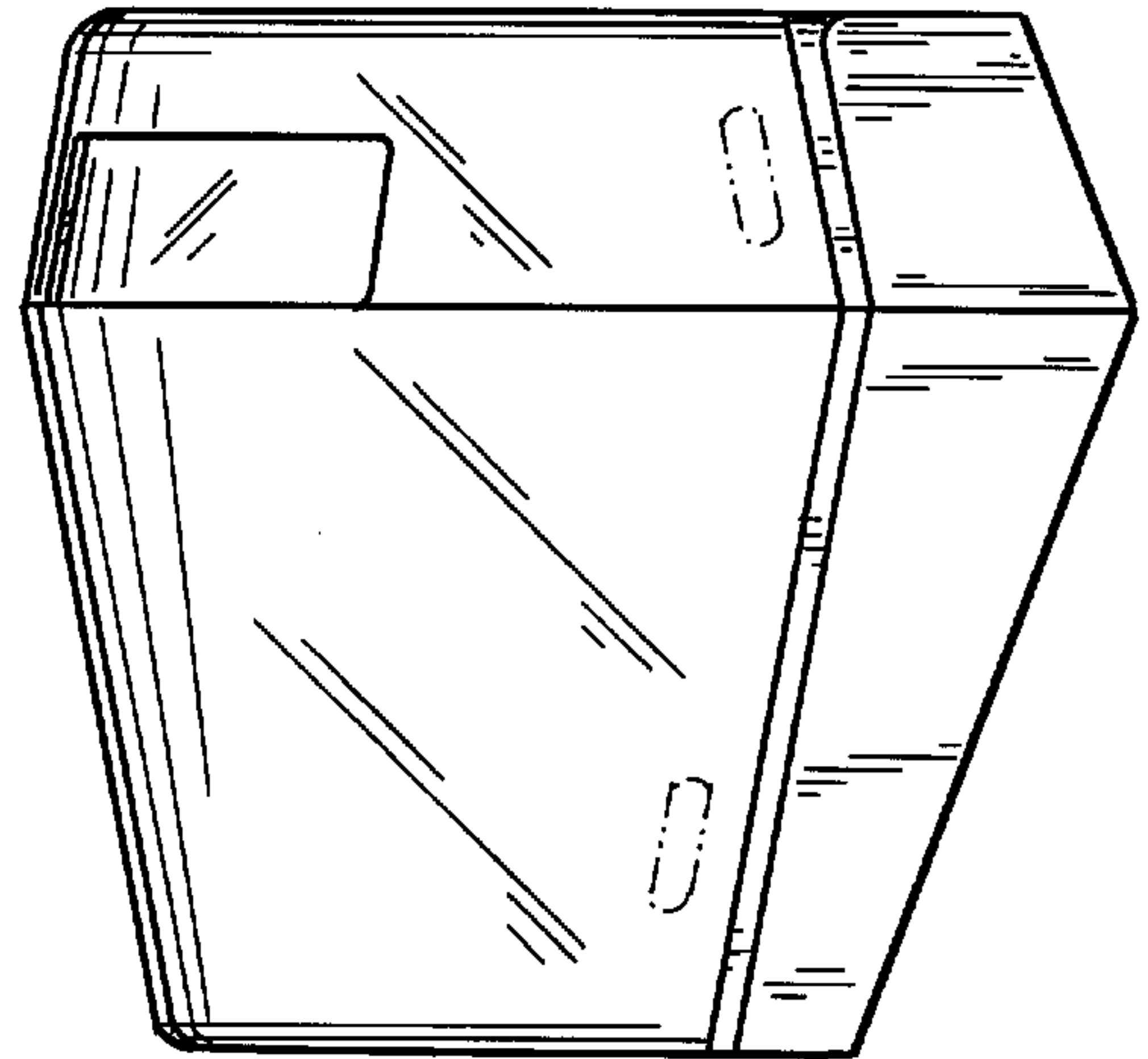


FIG. 14



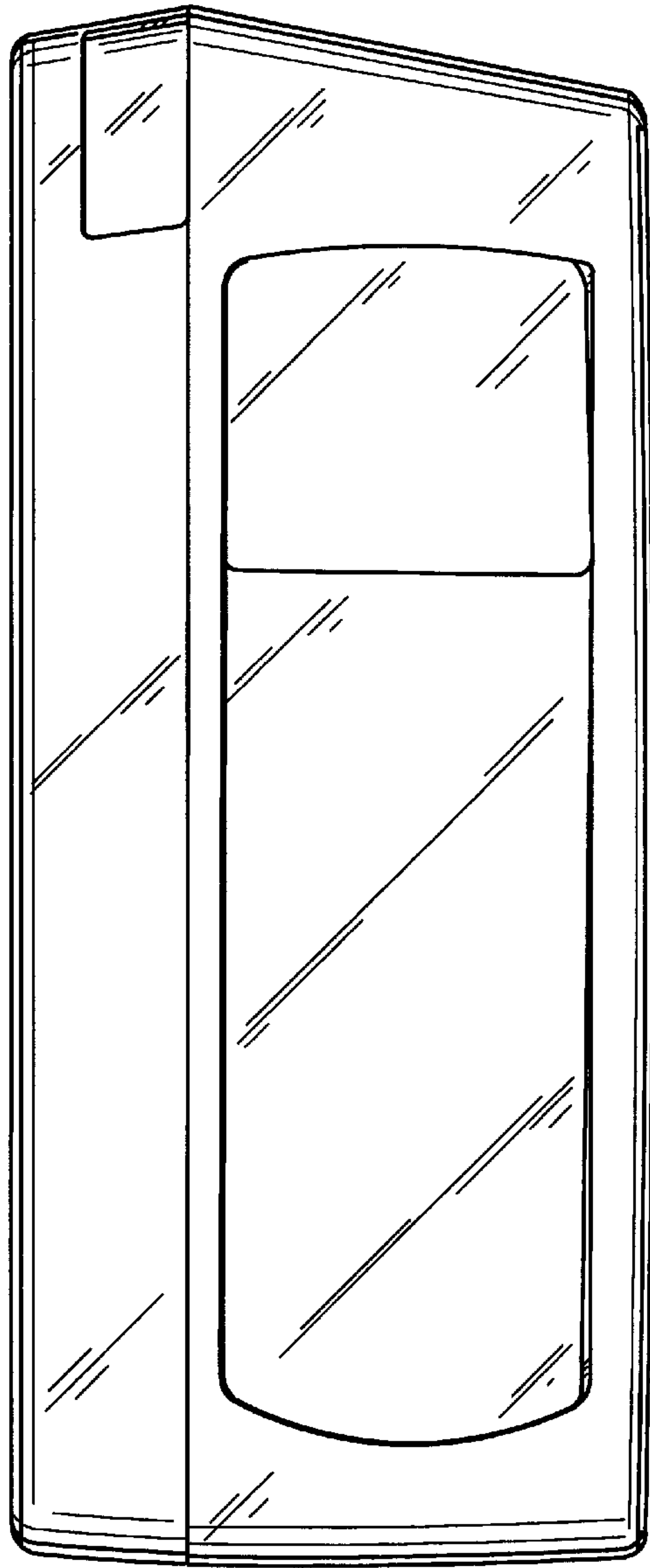


FIG. 9

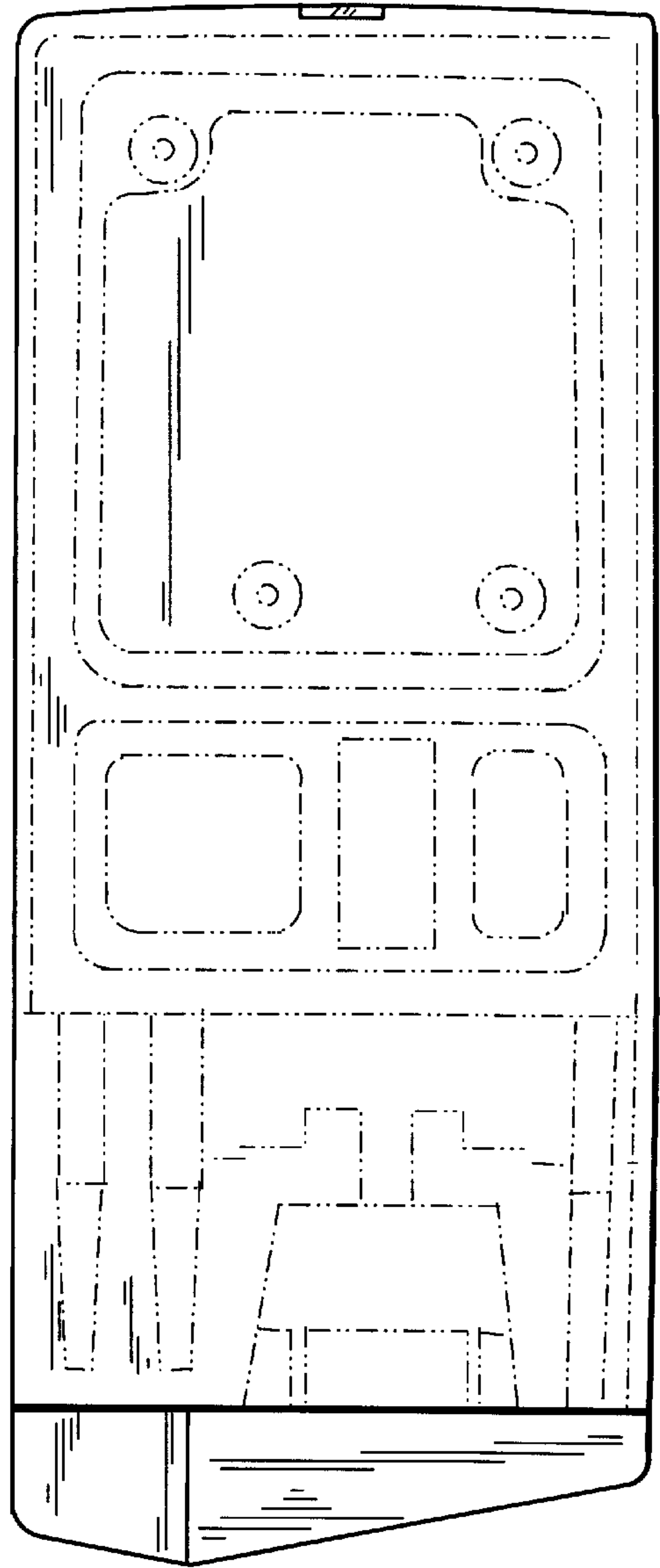


FIG. 10

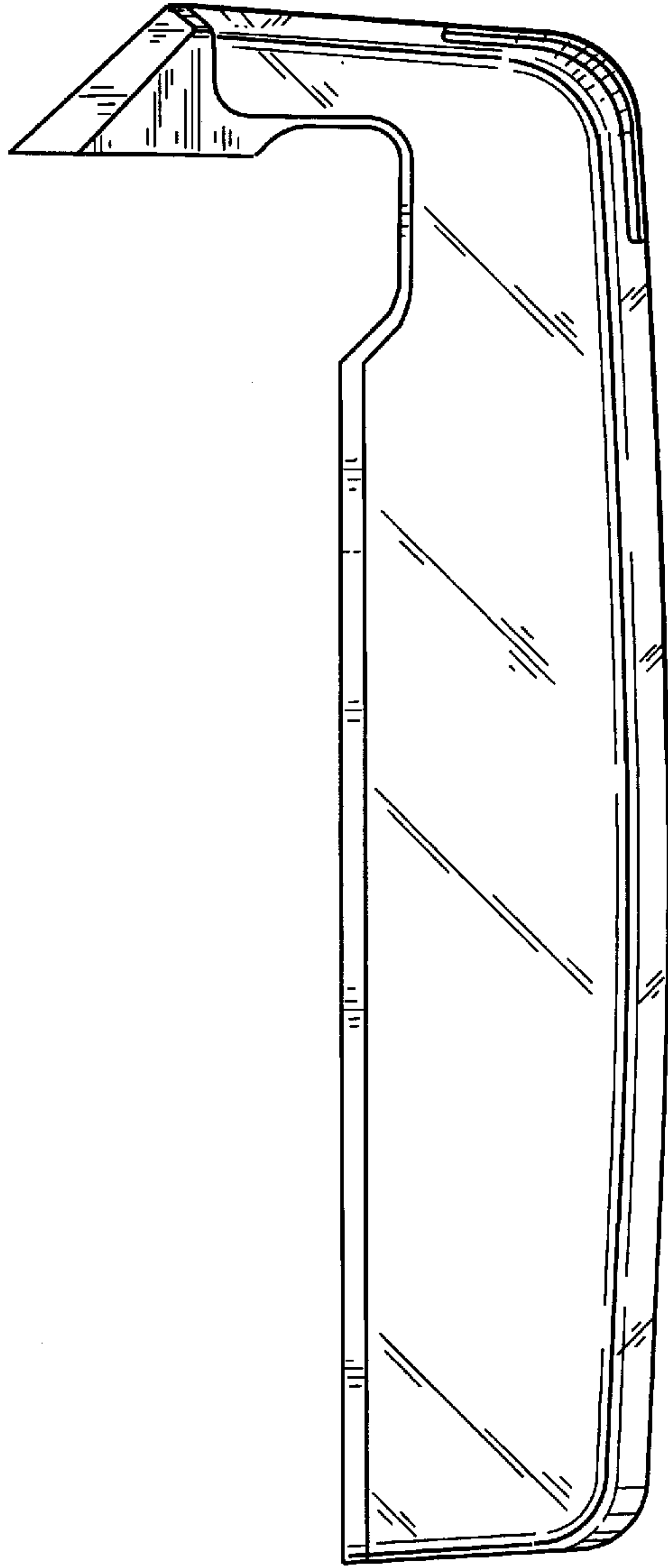


FIG. 11

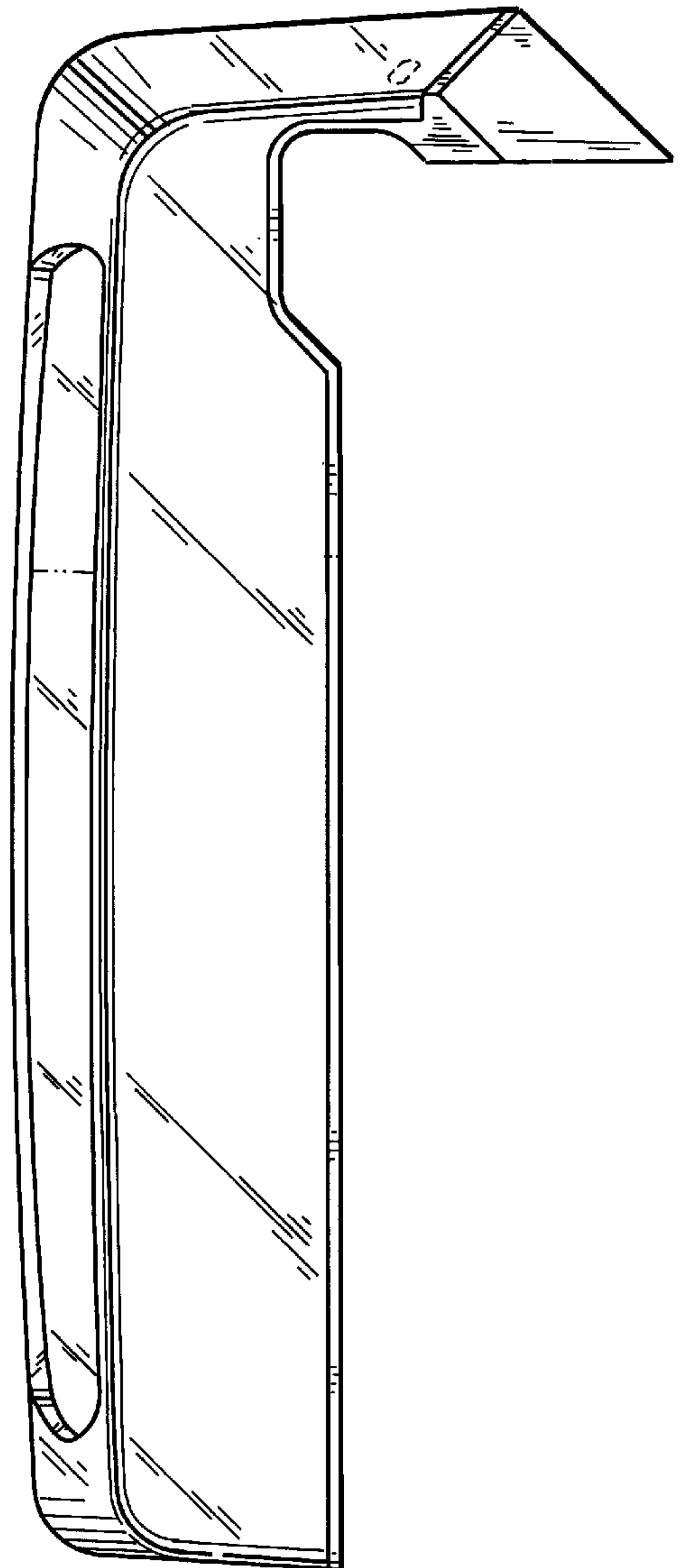


FIG. 12