



US00D413681S

United States Patent [19] Zumwalt

[11] **Patent Number: Des. 413,681**

[45] **Date of Patent: ** Sep. 7, 1999**

[54] **SCAFFOLD UNIT**

[76] Inventor: **Mark W. Zumwalt**, 8205 S. Branch Dr., Godfrey, Ill. 62035

[**] Term: **14 Years**

[21] Appl. No.: **29/089,207**

[22] Filed: **Jun. 10, 1998**

[51] **LOC (6) Cl. 25-04**

[52] **U.S. Cl. D25/68**

[58] **Field of Search D25/62, 68, 67, D25/66; 182/20, 150, 153, 224**

[56] **References Cited**

U.S. PATENT DOCUMENTS

D. 216,158	11/1969	Williams	D25/68
D. 349,165	7/1994	Jasmund	D25/68
2,297,316	9/1942	Padgett	182/153
3,119,590	1/1964	Eriksson .	
3,134,567	5/1964	Shoemaker .	
3,595,510	7/1971	Hutchinson .	
3,698,680	10/1972	Shoemaker	248/189
4,153,229	5/1979	Bequette	248/240.3

4,298,096	11/1981	Prior	182/20
4,957,185	9/1990	Courchesne et al.	182/150
5,062,607	11/1991	Kisner	248/211
5,259,477	11/1993	Fears et al.	182/82
5,727,650	3/1998	Thomas	182/224

Primary Examiner—Doris Clark
Attorney, Agent, or Firm—Richard G. Heywood

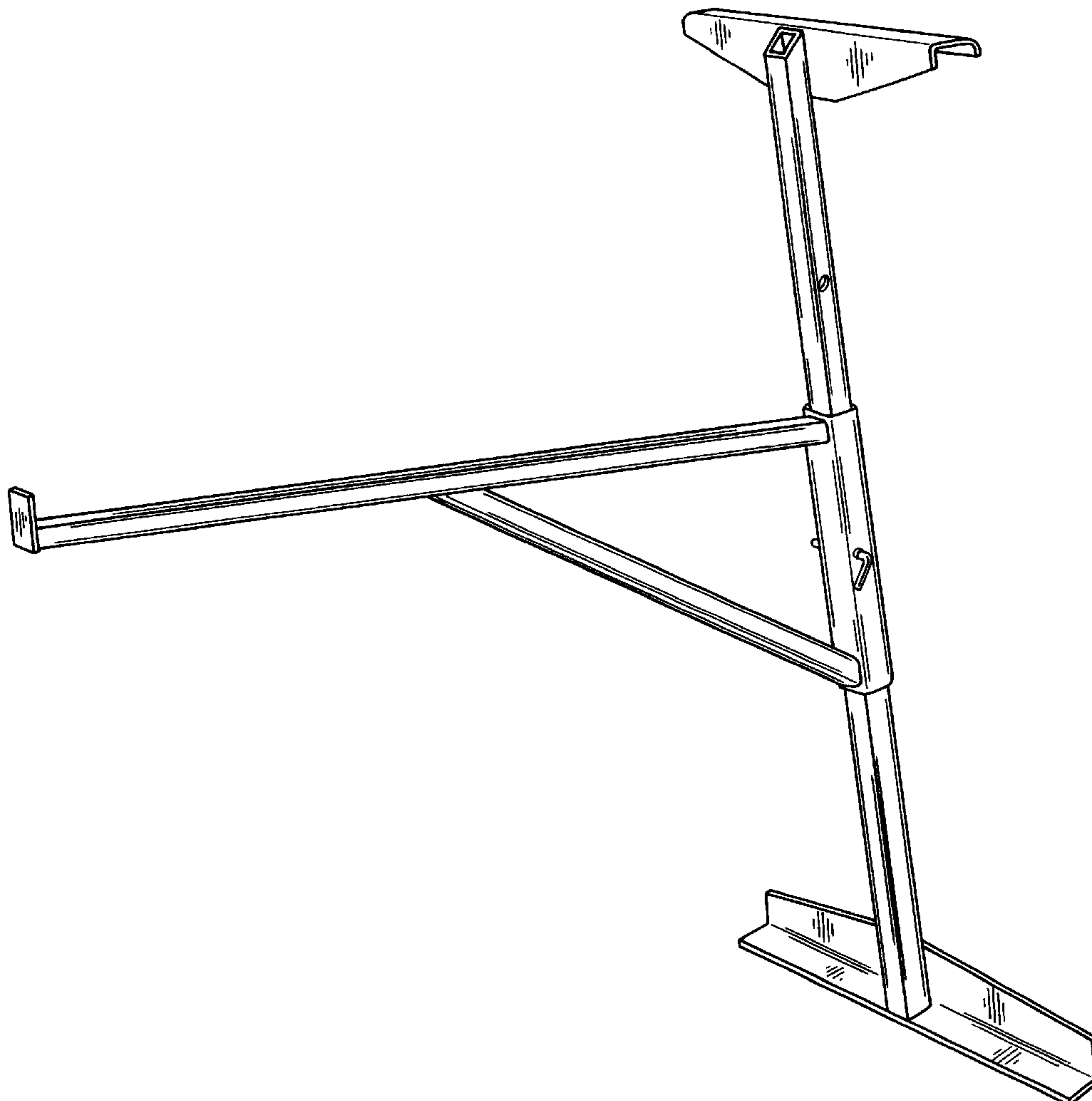
[57] **CLAIM**

The ornamental design for a scaffold unit, as shown and described.

DESCRIPTION

FIG. 1 is a perspective view of a scaffold unit embodying my new design;
FIG. 2 is a side elevational view of my scaffold unit, the scaffold planking being shown in phantom lines for environmental purposes only and forms no part of the claimed design;
FIG. 3 is a rear elevational view thereof taken from the left-hand end of FIG. 2; and,
FIG. 4 is a top plan view thereof.

1 Claim, 4 Drawing Sheets



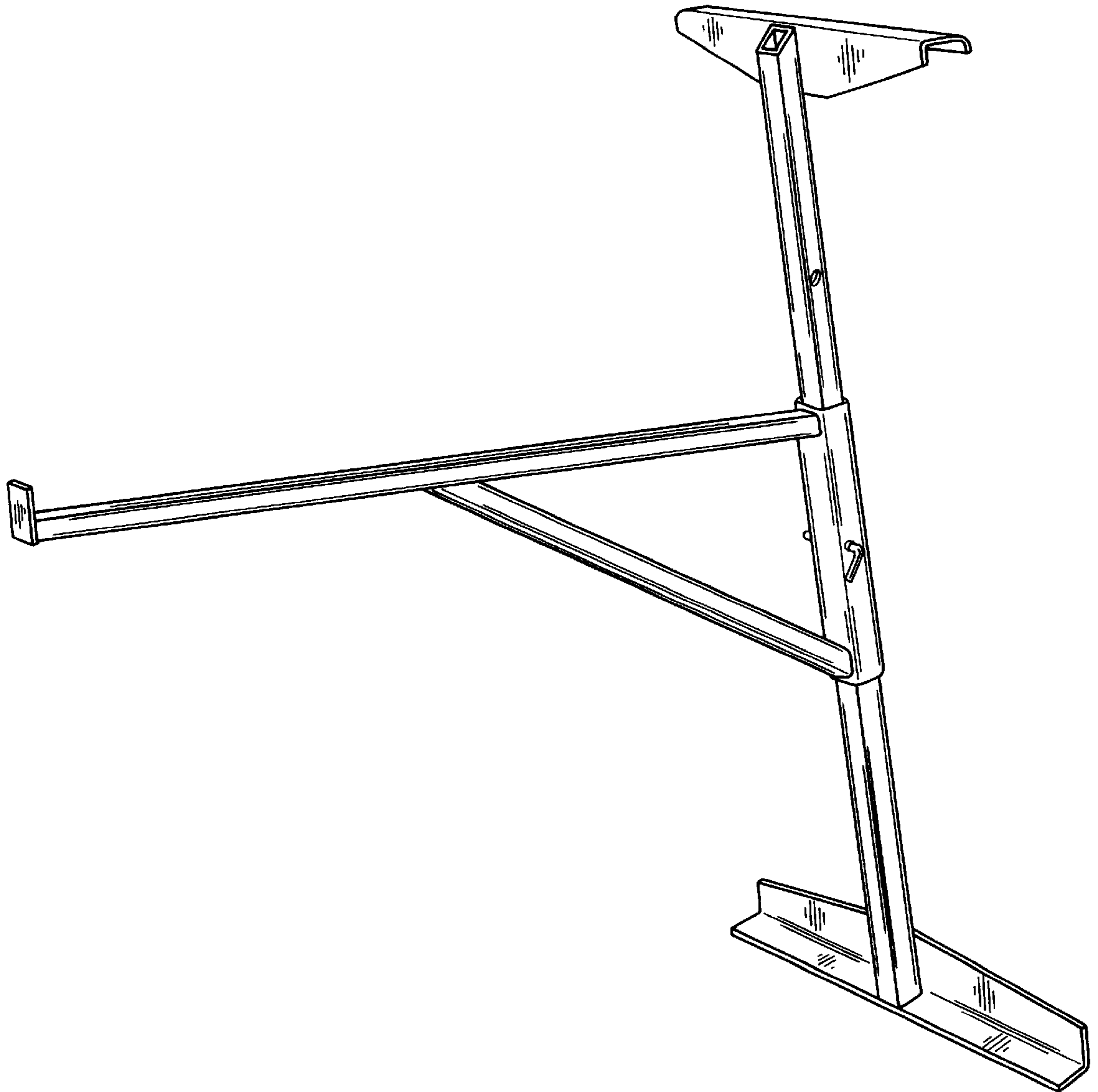


FIG. 1

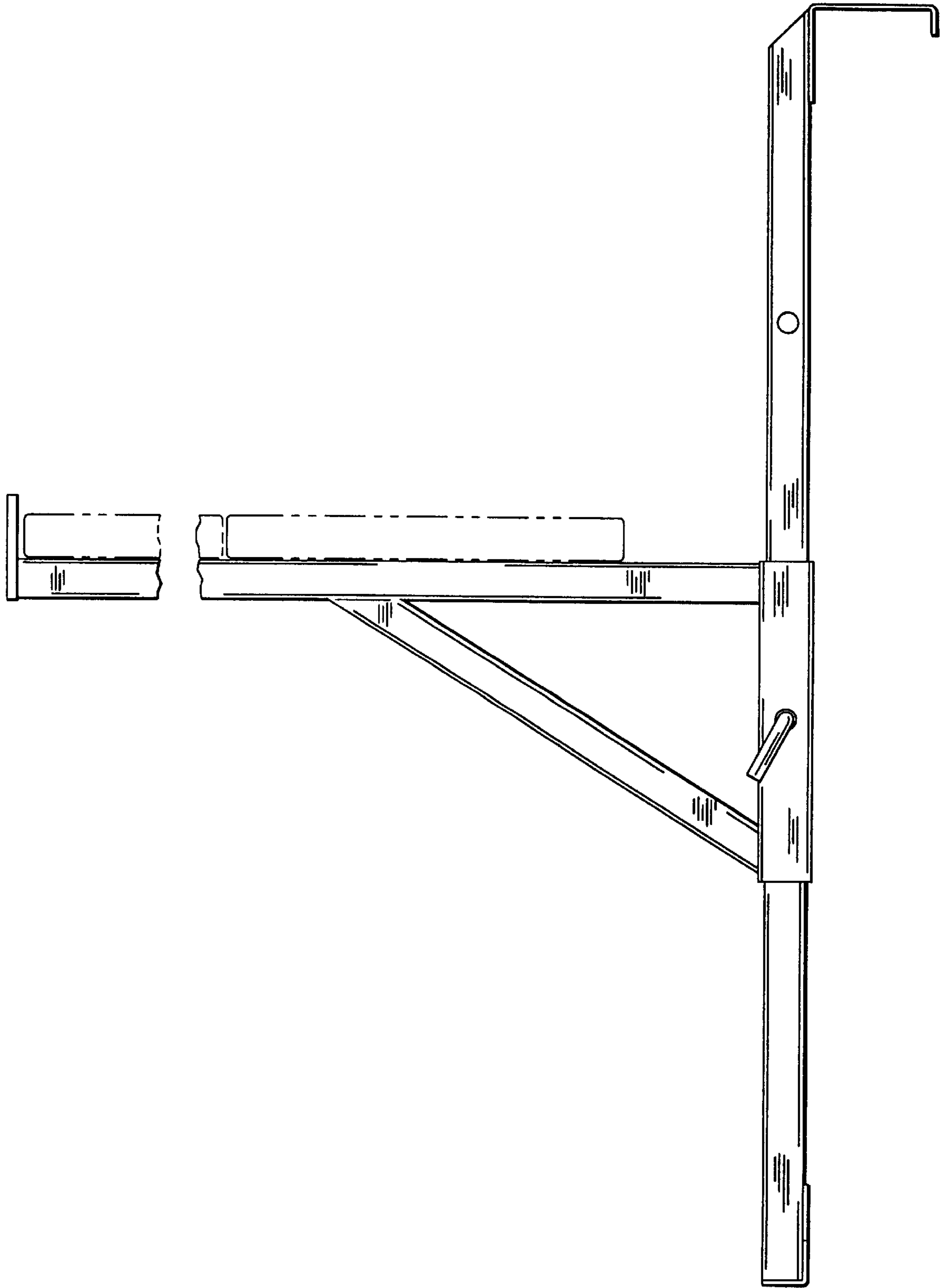


FIG. 2

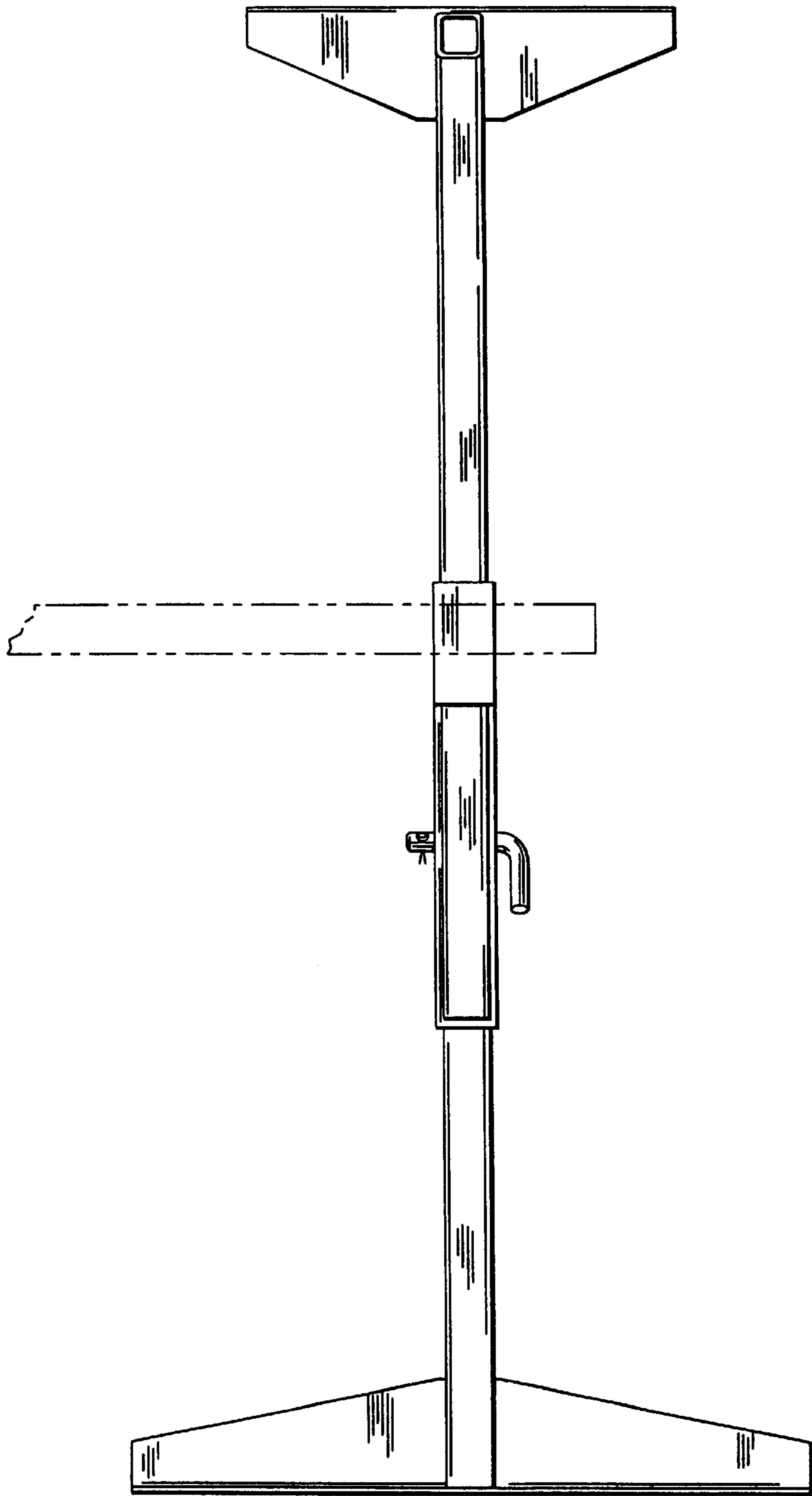


FIG. 3

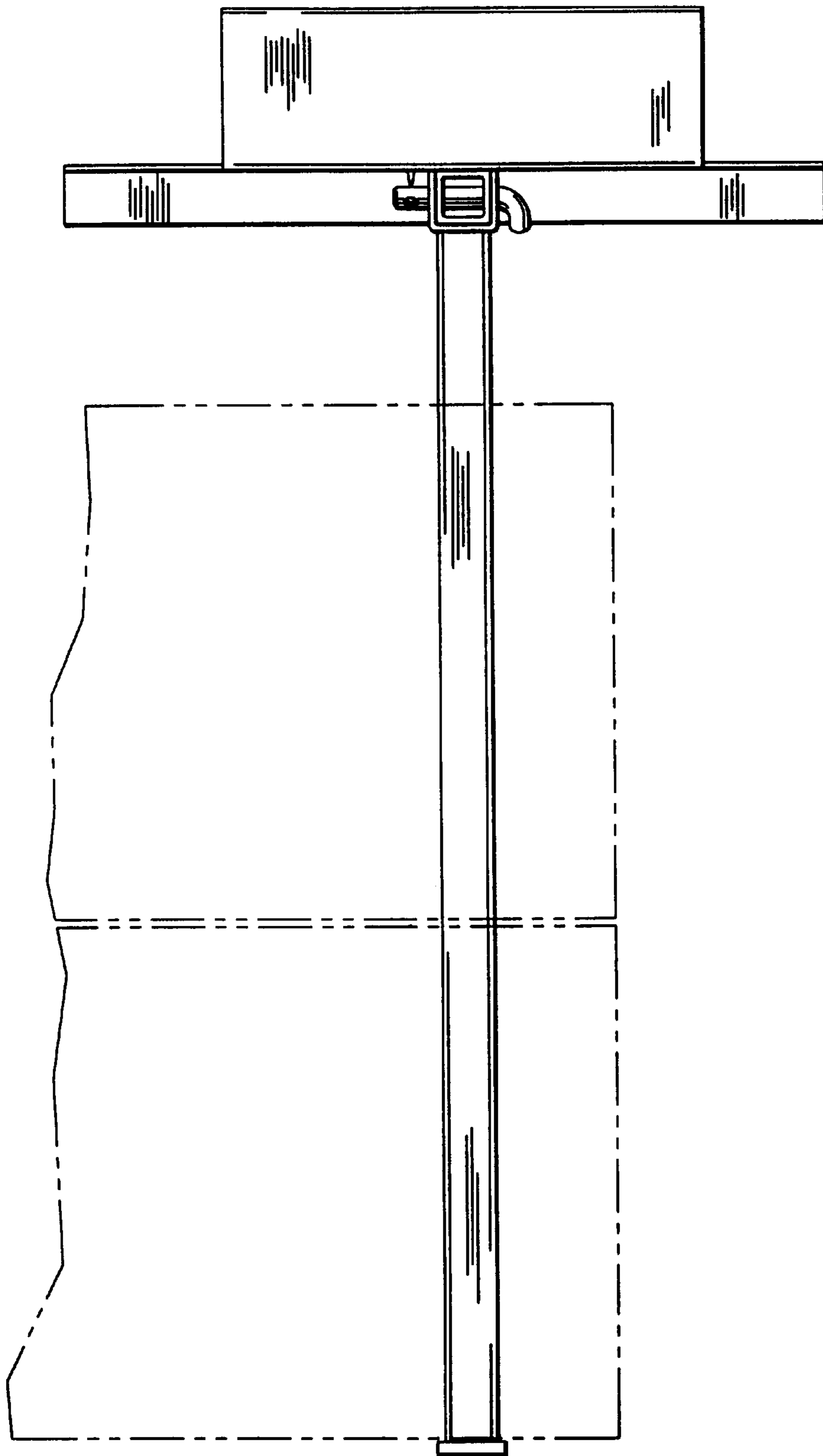


FIG. 4