



US00D413680S

United States Patent [19]
Liu

[11] **Patent Number: Des. 413,680**

[45] **Date of Patent: ** Sep. 7, 1999**

[54] **ARCHED DECORATION FOR THE TOP OF A WINDOW**

[76] Inventor: **Wen-sheng Liu**, 1218 Glenbury Ct.,
Arlington, Tex. 76006

[**] Term: **14 Years**

[21] Appl. No.: **29/084,133**

[22] Filed: **Feb. 25, 1998**

[51] **LOC (6) Cl.** **25-02**

[52] **U.S. Cl.** **D25/60**

[58] **Field of Search** D25/55, 60, 52,
D25/102; 49/504, 400, 462; 52/311, 213,
210, 455, 85, 204, 211

[56] **References Cited**

U.S. PATENT DOCUMENTS

D. 334,068	3/1993	Poole	D25/60
D. 354,409	1/1995	Tatum et al.	D25/60
D. 374,085	9/1996	LaVoie	D25/49
5,440,847	8/1995	Butler	52/311.1

OTHER PUBLICATIONS

Sweets Catalog, 1993, 12505/PIN, p. 9.

Primary Examiner—Doris Clark
Attorney, Agent, or Firm—Charles W. McHugh

[57] **CLAIM**

The ornamental design for an “arched decoration for the top of a window,” as shown and described.

DESCRIPTION

FIG. 1 is a perspective view of the “arched decoration for the top of a window,” showing my new design from the rear thereof;

FIG. 2 is a front elevational view thereof;

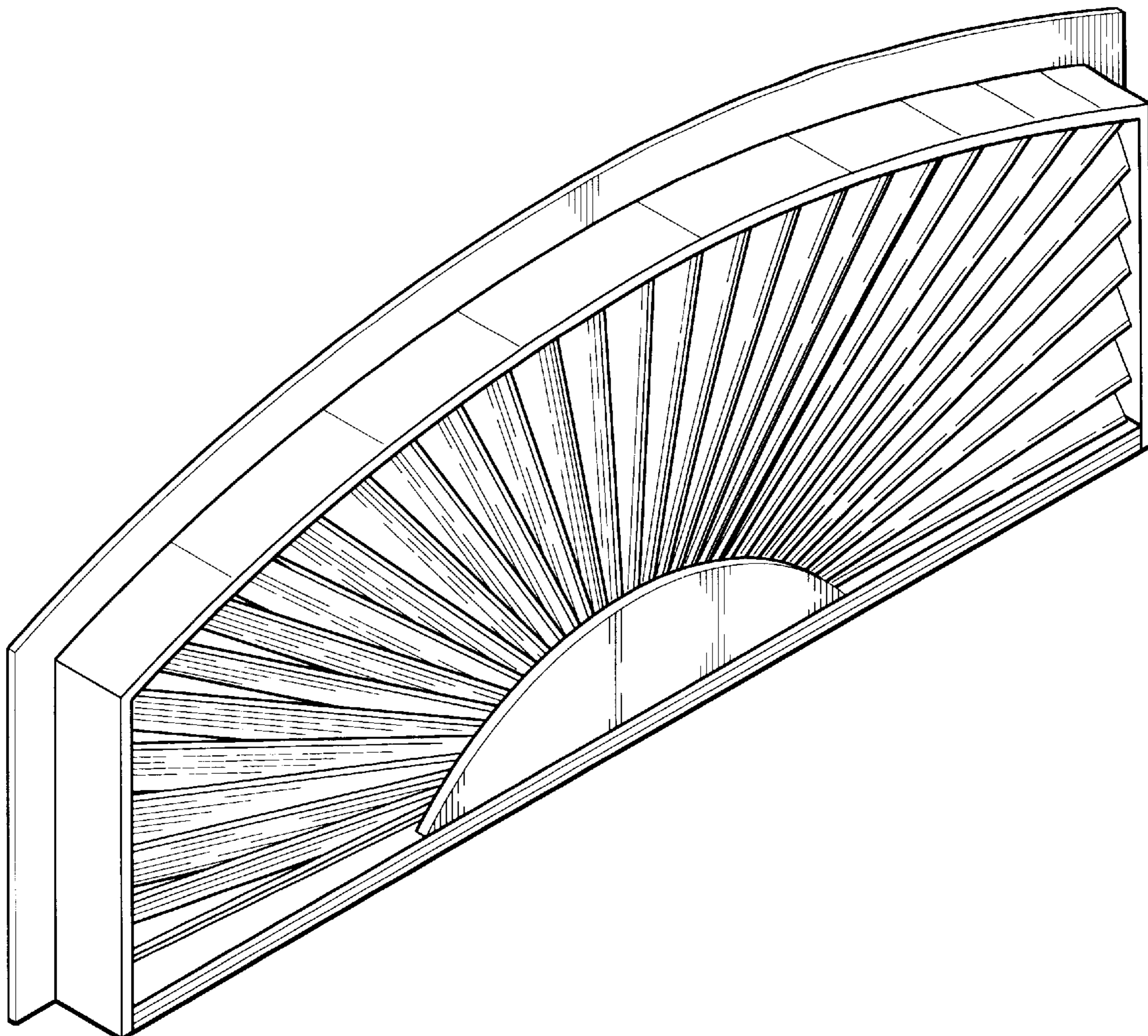
FIG. 3 is a top plan view thereof;

FIG. 4 is a rear elevational view thereof;

FIG. 5 is bottom plan view thereof; and,

FIG. 6 is a right side elevational view, with the left side elevational view being a mirror image thereof.

1 Claim, 2 Drawing Sheets



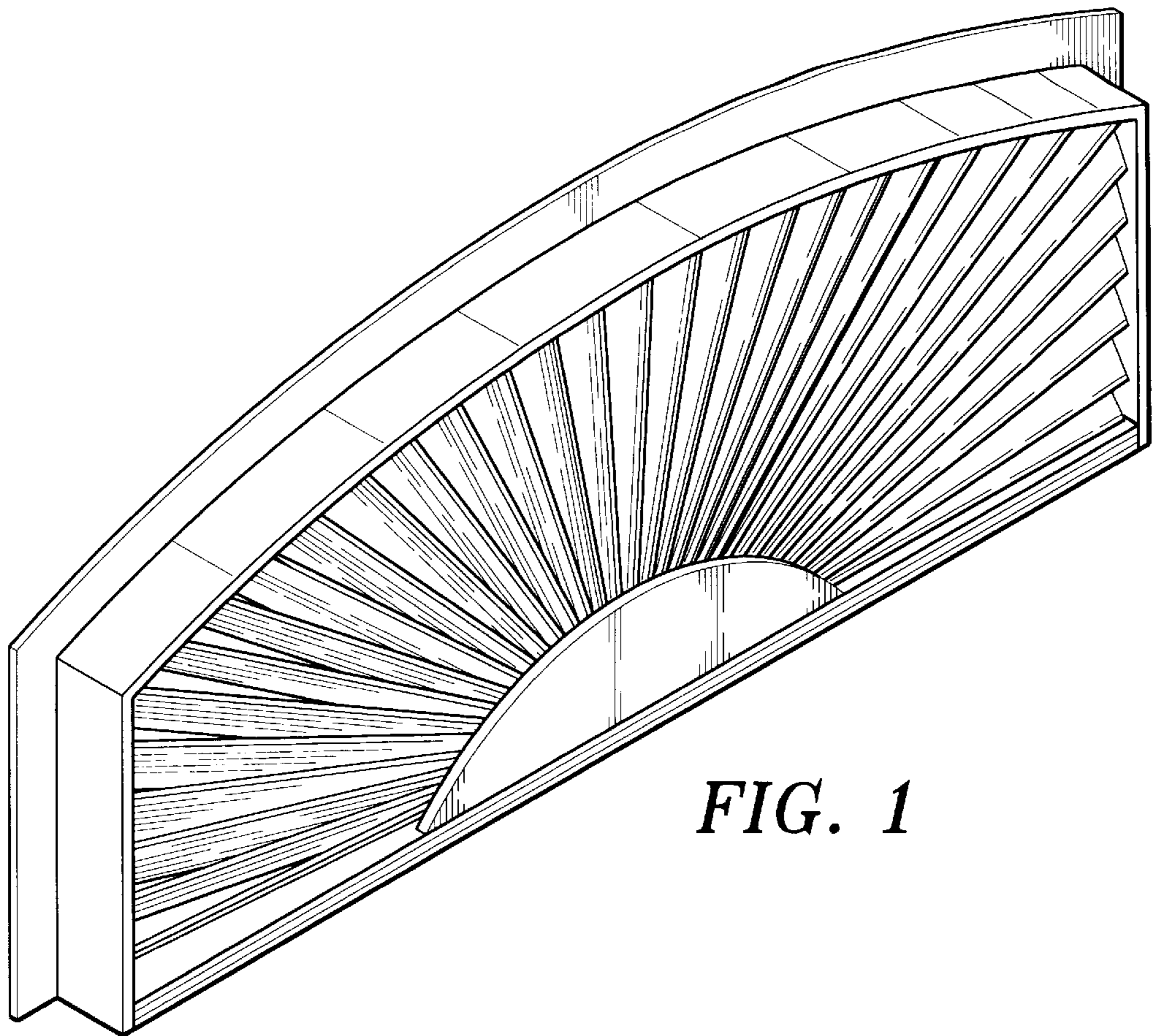


FIG. 1

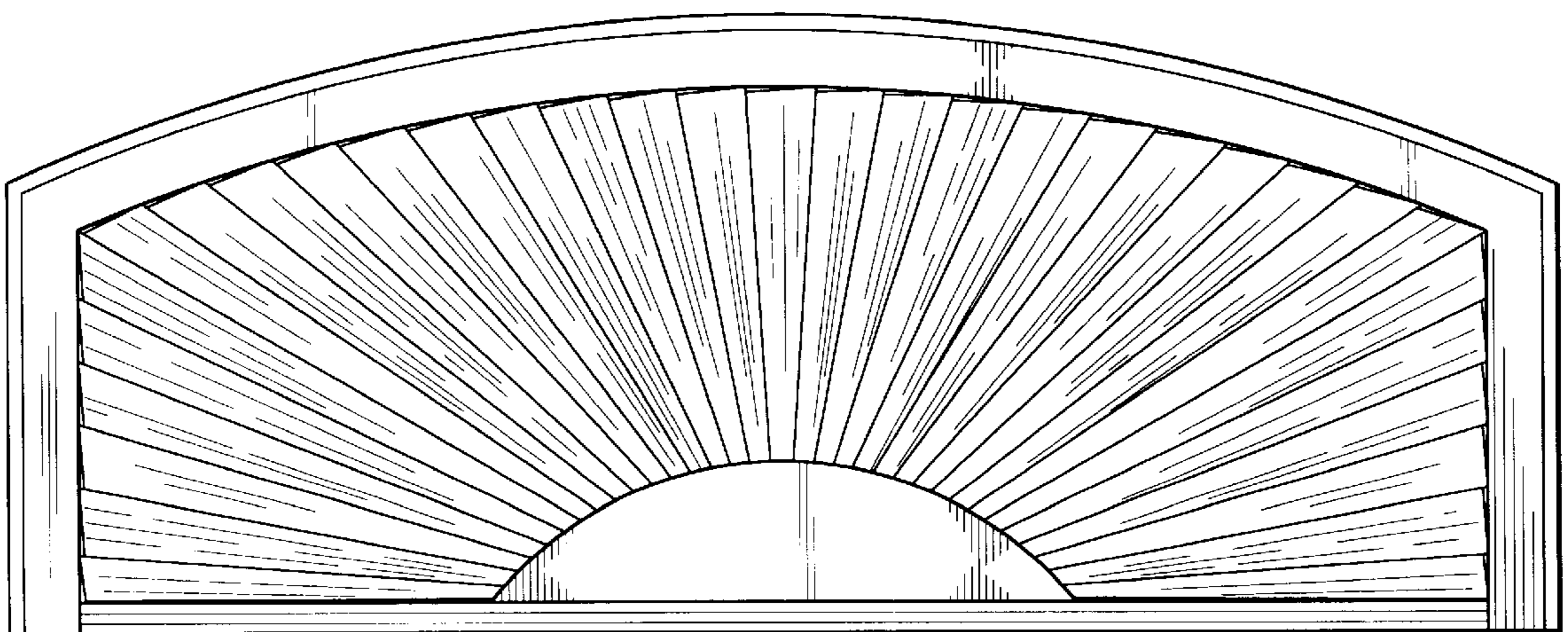


FIG. 2

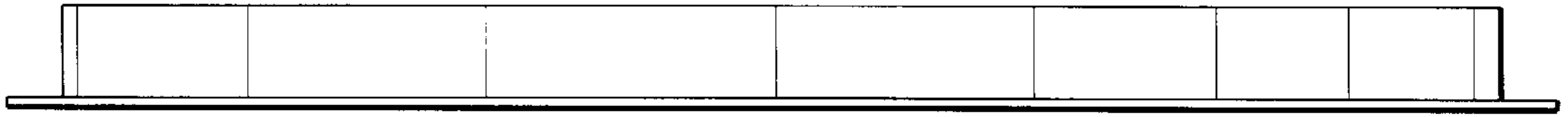


FIG. 3

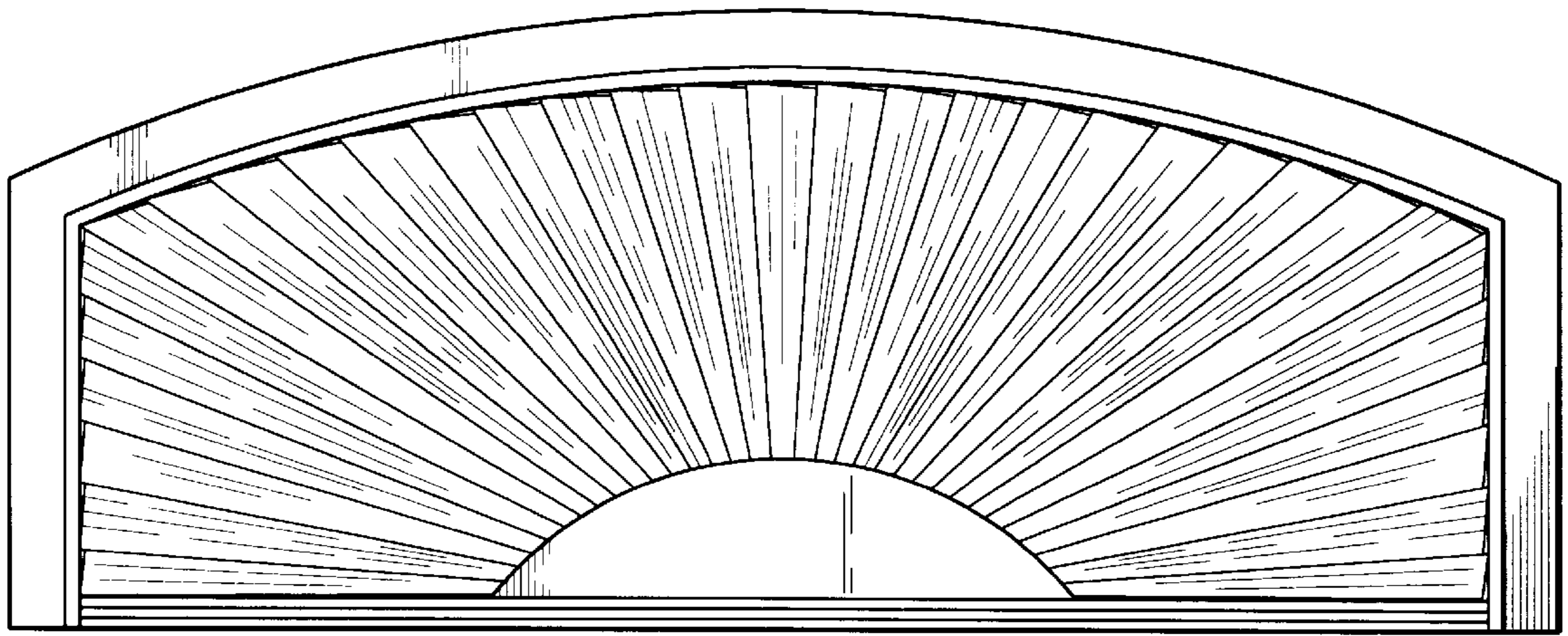


FIG. 4

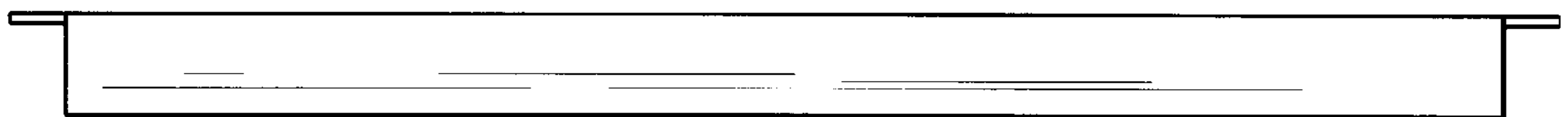


FIG. 5

FIG. 6

