



US00D413677S

# United States Patent [19]

Dumitrescu et al.

[11] Patent Number: **Des. 413,677**

[45] Date of Patent: **\*\* Sep. 7, 1999**

[54] **SAMPLE TUBE RACK**

5,186,339 2/1993 Heissler ..... D24/227 X

[75] Inventors: **Nicolae Dumitrescu**, Stamford; **Irena Makarchuk**, Fairfield, both of Conn.

*Primary Examiner*—Stella Reid  
*Assistant Examiner*—I Simmons  
*Attorney, Agent, or Firm*—Andrew L. Klawitter, Esq.;  
Rodman & Rodman

[73] Assignee: **Bayer Corporation**, Tarrytown, N.Y.

[\*\*] Term: **14 Years**

### [57] CLAIM

[21] Appl. No.: **29/080,049**

The ornamental design for a sample tube rack, as shown and described.

[22] Filed: **Nov. 26, 1997**

### DESCRIPTION

[51] **LOC (6) Cl.** ..... **24-02**

[52] **U.S. Cl.** ..... **D24/229; D24/227; D24/230**

[58] **Field of Search** ..... D24/227, 229,  
D24/230; 422/102, 104, 65, 63, 64; 211/74,  
70.1, 71

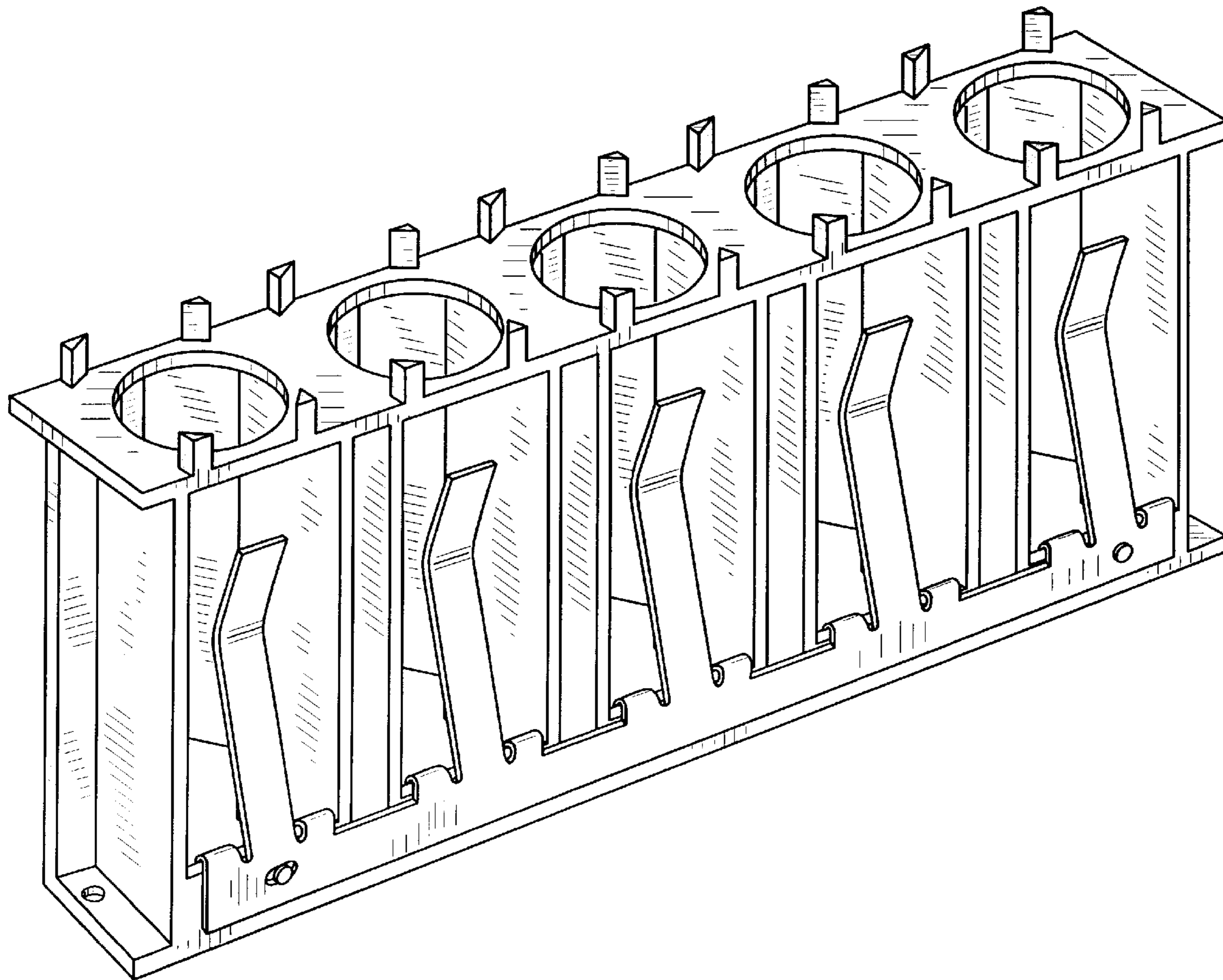
FIG. 1 is a front perspective view of a sample tube rack;  
FIG. 2 is a rear perspective view thereof;  
FIG. 3 is a rear elevational view thereof;  
FIG. 4 is a front elevational view thereof;  
FIG. 5 is a side elevational view thereof the opposite side  
being symmetrical with the side shown;  
FIG. 6 is a top plan view thereof; and,  
FIG. 7 is a bottom plan view thereof.

### [56] References Cited

#### U.S. PATENT DOCUMENTS

4,364,904 12/1982 Eberle ..... 422/104  
4,534,465 8/1985 Ruthermel et al. .... 422/102 X

**1 Claim, 4 Drawing Sheets**



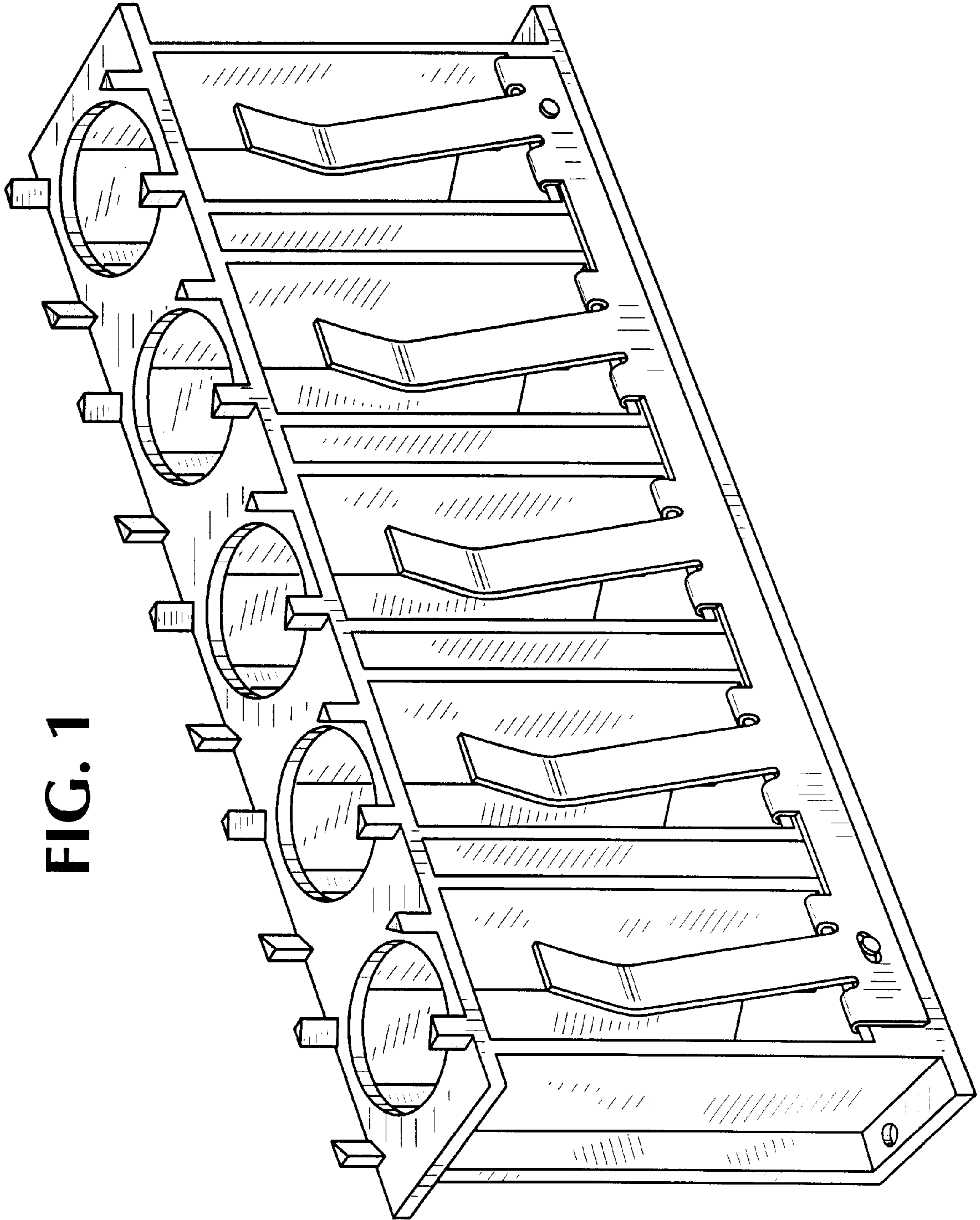


FIG. 1

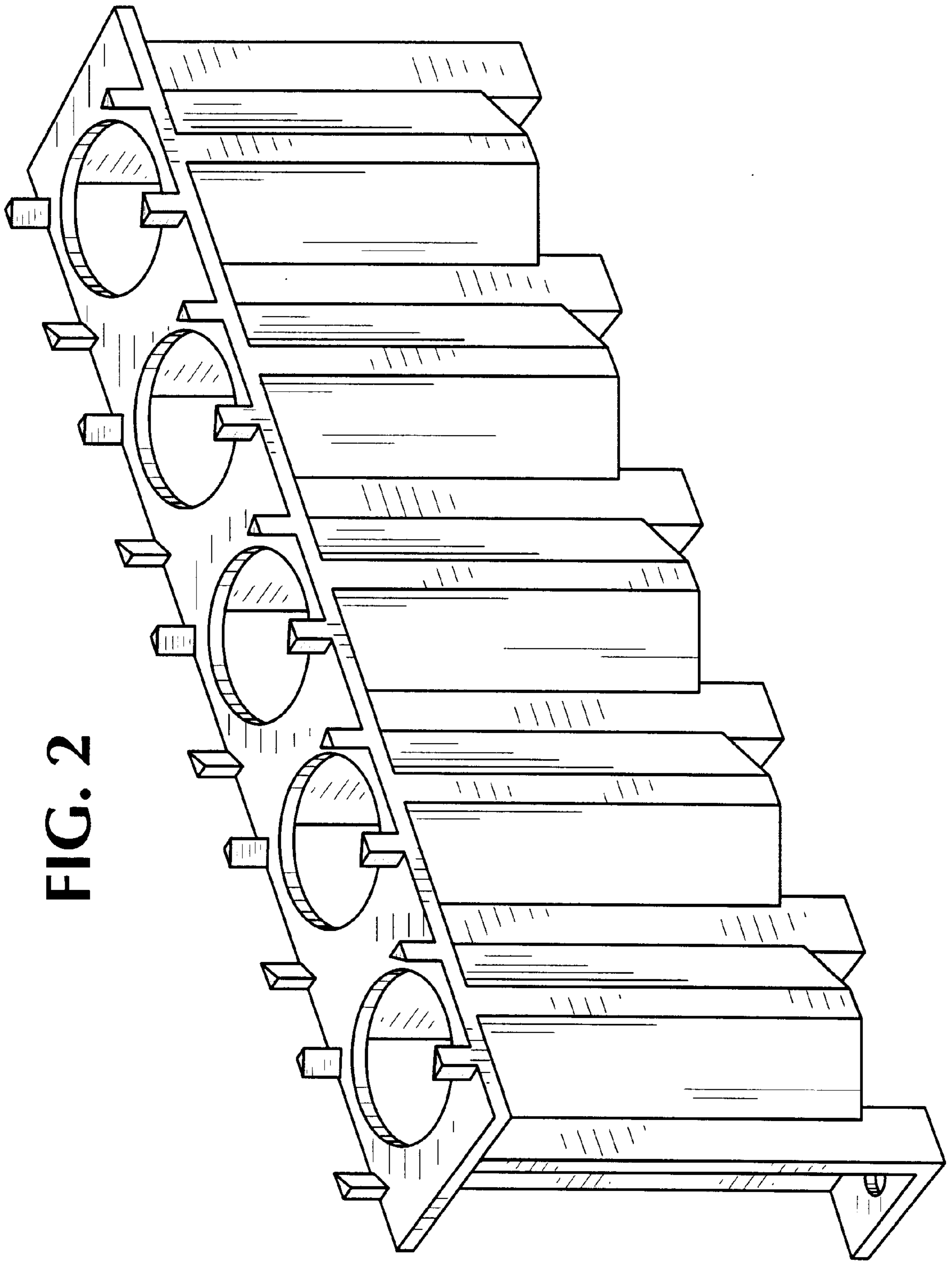


FIG. 2

FIG. 3

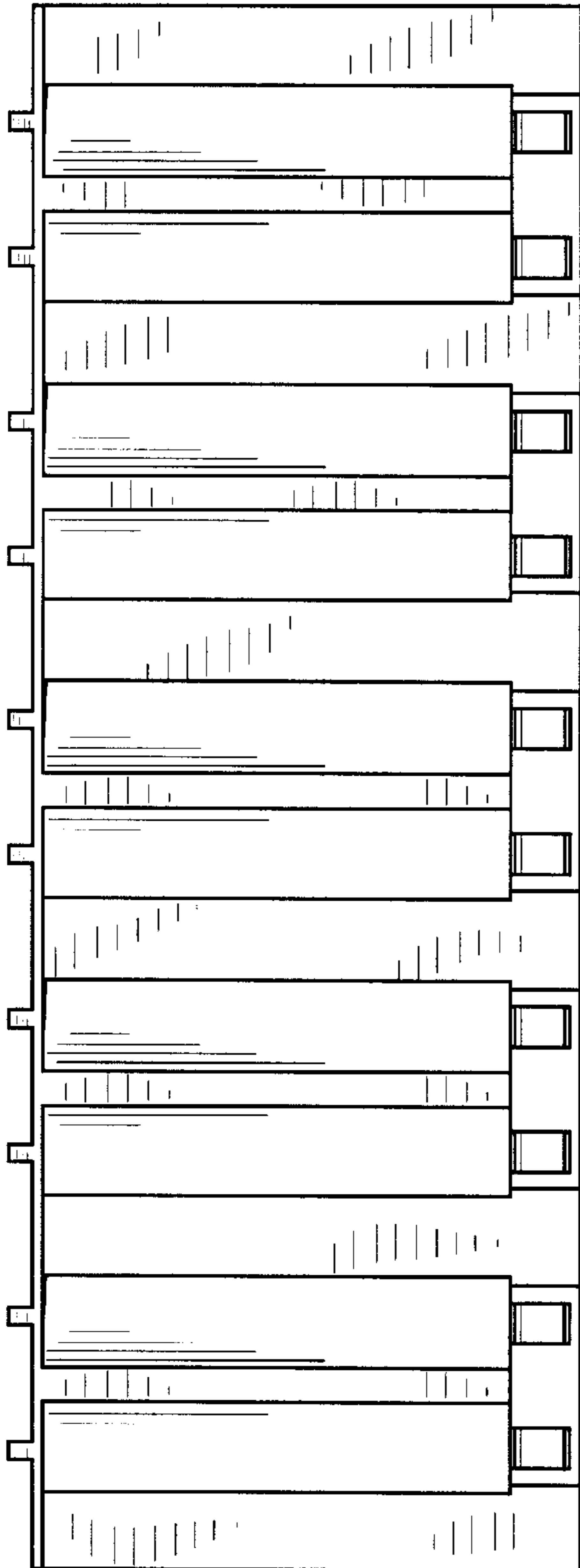


FIG. 4

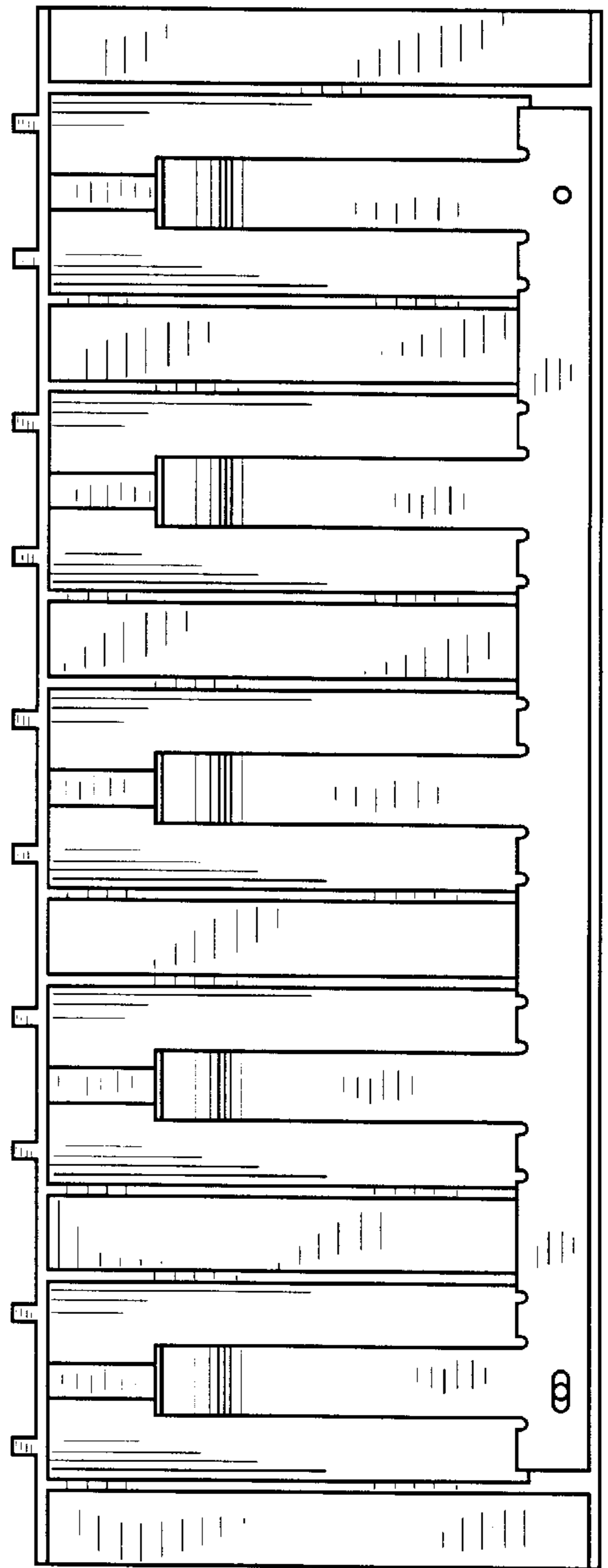


FIG. 6

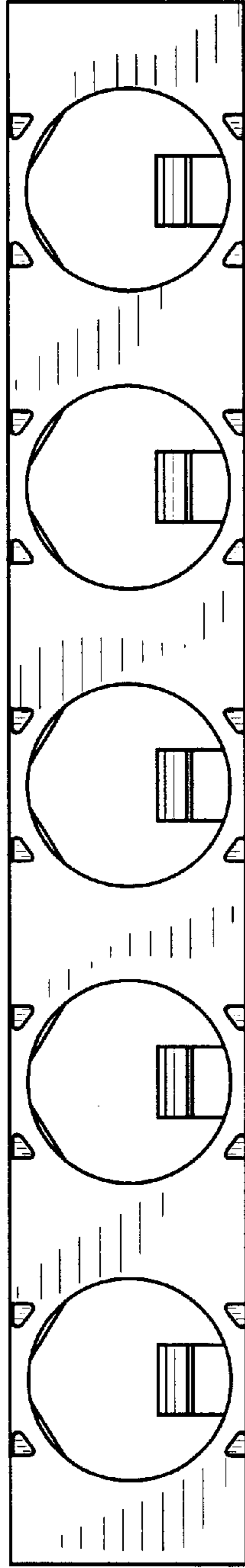


FIG. 7

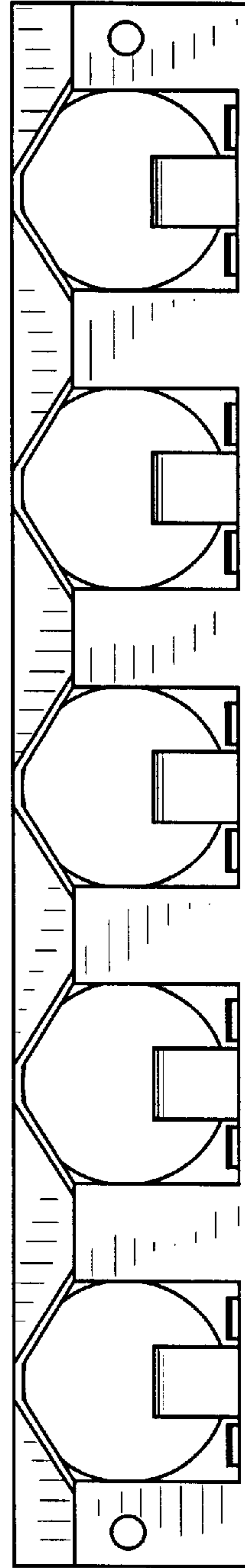


FIG. 5

