



US00D413670S

United States Patent [19] Steiner

[11] **Patent Number: Des. 413,670**

[45] **Date of Patent: ** Sep. 7, 1999**

[54] **CARTRIDGE FOR SURGICAL BLADE**

4,903,390 2/1990 Vidal et al. 206/355 X
5,088,173 2/1992 Kromer et al. 206/355 X

[75] Inventor: **Mark Steiner**, Cos Cob, Conn.

[73] Assignee: **Stony Brook Surgical Innovations, Inc.**, Northport, N.Y.

[**] Term: **14 Years**

Primary Examiner—Stella Reid
Assistant Examiner—I Simmons
Attorney, Agent, or Firm—James & Franklin, LLP; Robert L. Epstein; Harold James

[21] Appl. No.: **29/077,833**

[22] Filed: **Oct. 9, 1997**

[57] **CLAIM**

The ornamental design for a cartridge for surgical blade, as shown and described.

[51] **LOC (6) Cl.** **24-02**

[52] **U.S. Cl.** **D24/131; D24/128**

[58] **Field of Search** D24/128, 147,
D24/133, 146, 231, 131; 206/356, 355,
354, 370, 363

DESCRIPTION

FIG. 1 is a left side elevational view of a cartridge for surgical blade showing my new design;
FIG. 2 is a top plan view thereof;
FIG. 3 is a right side elevational view thereof;
FIG. 4 is a bottom plan view thereof;
FIG. 5 is a front elevational view thereof; and,
FIG. 6 is a rear elevational view thereof.

[56] **References Cited**

U.S. PATENT DOCUMENTS

3,941,243 3/1976 Yamada 206/356 X
4,180,162 12/1979 Magney 206/356 X

1 Claim, 3 Drawing Sheets

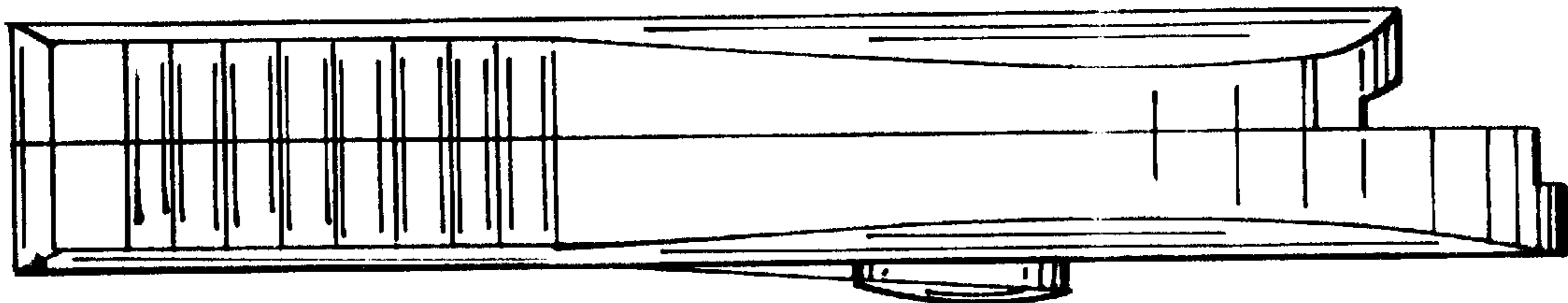
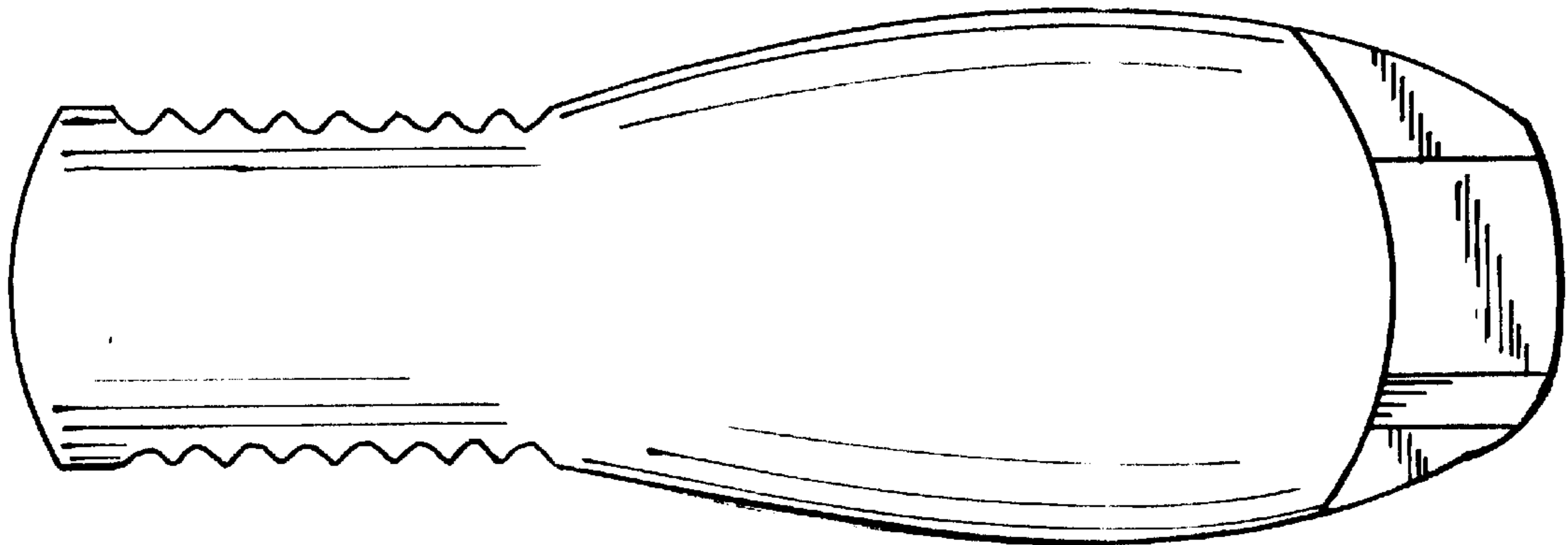


FIG. 1

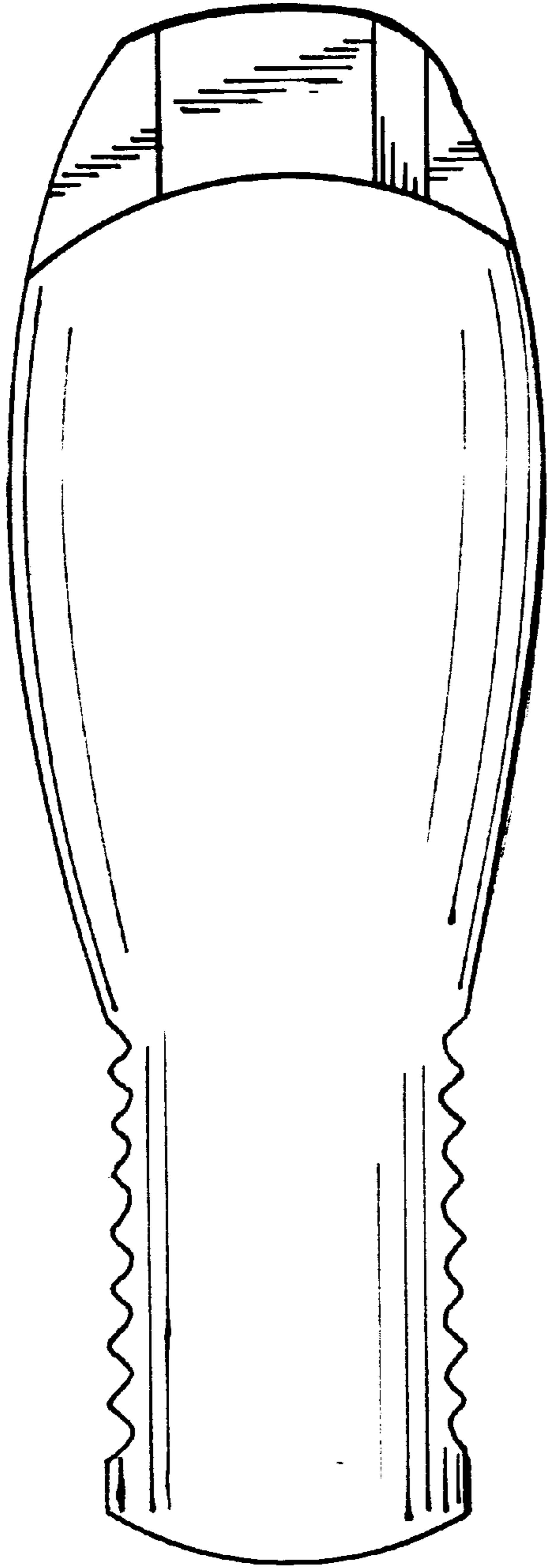
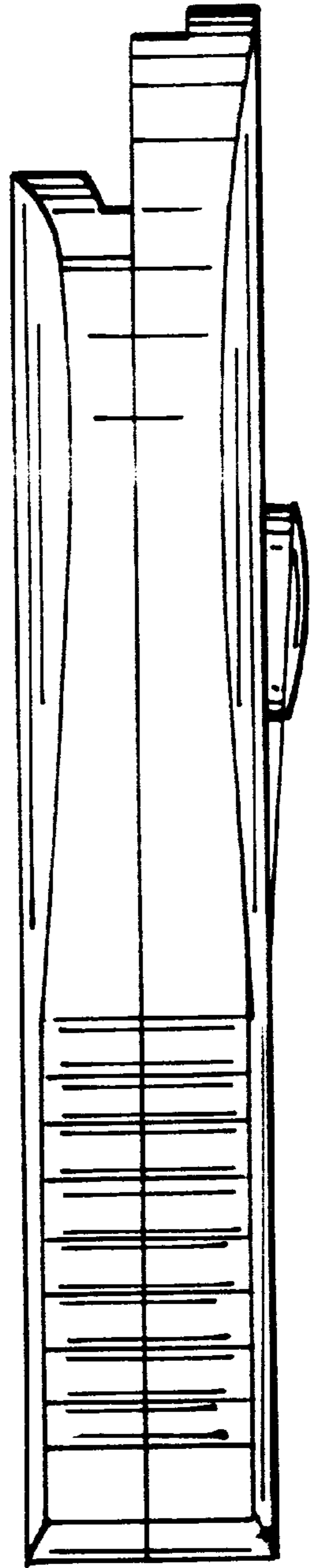


FIG. 2



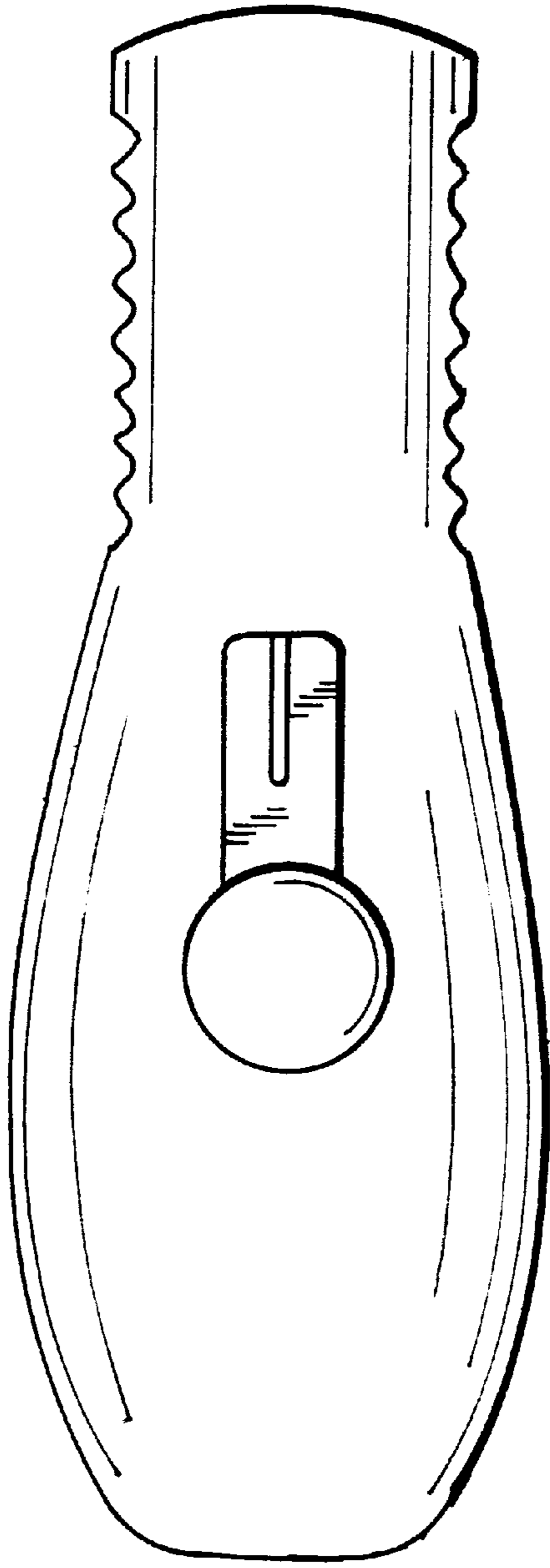


FIG 3

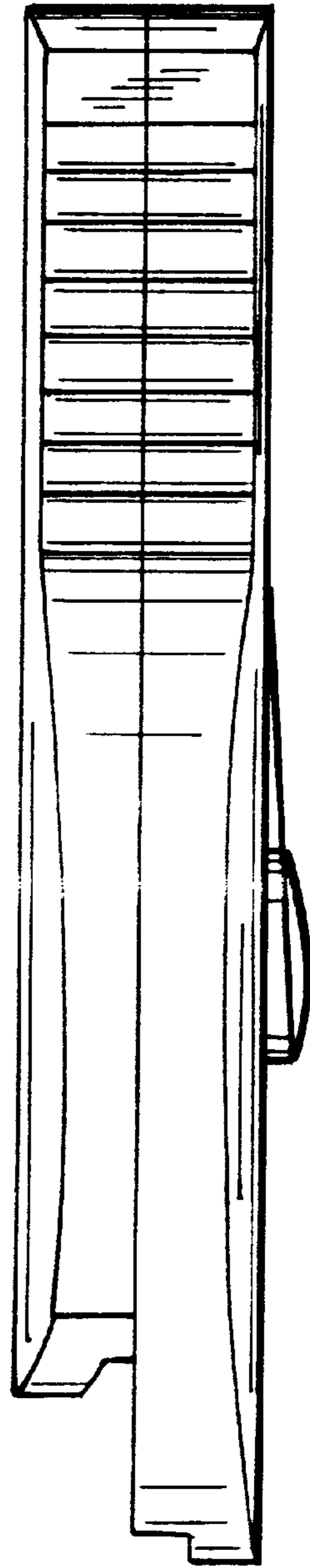


FIG. 4

FIG. 5

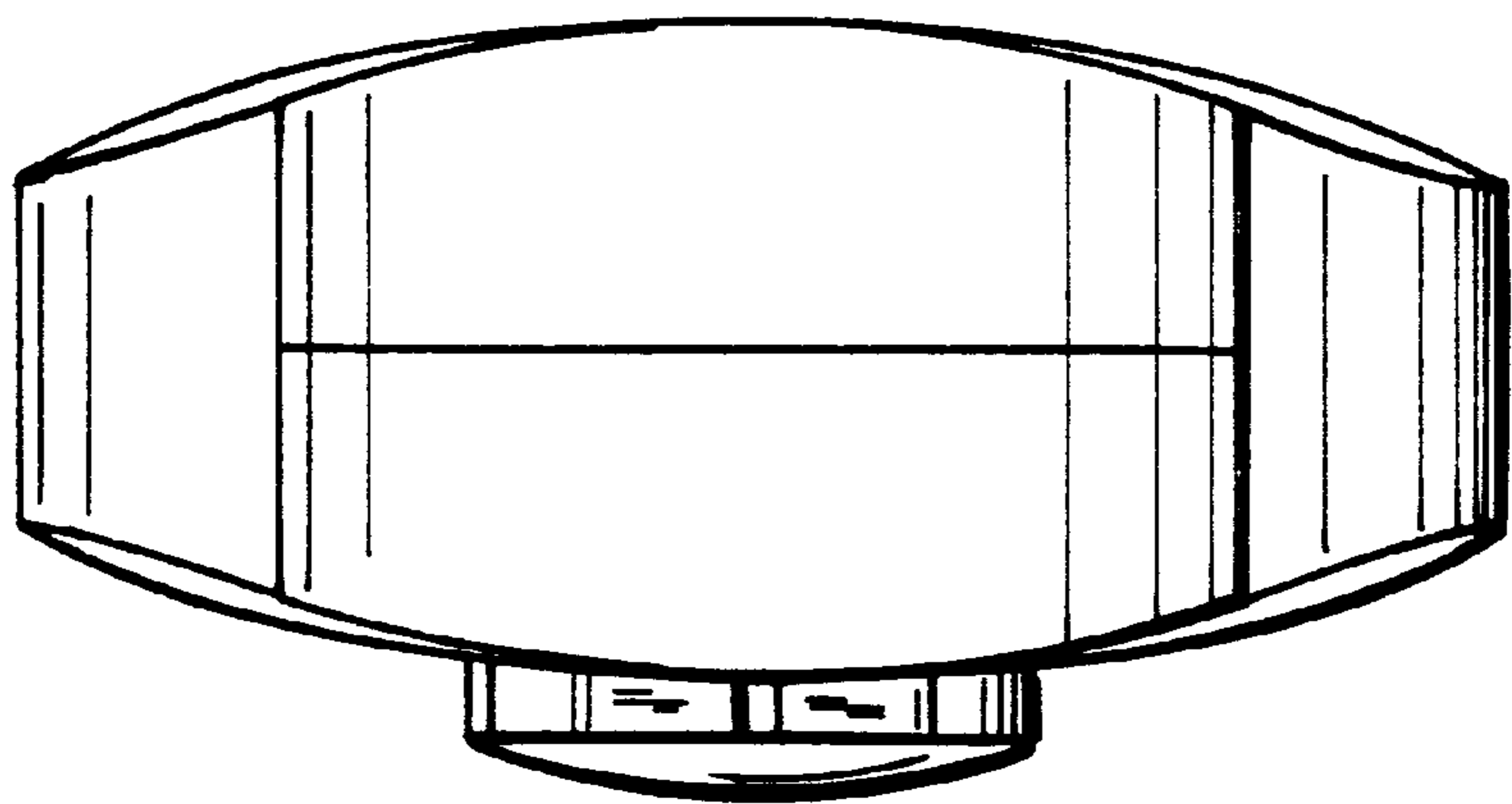
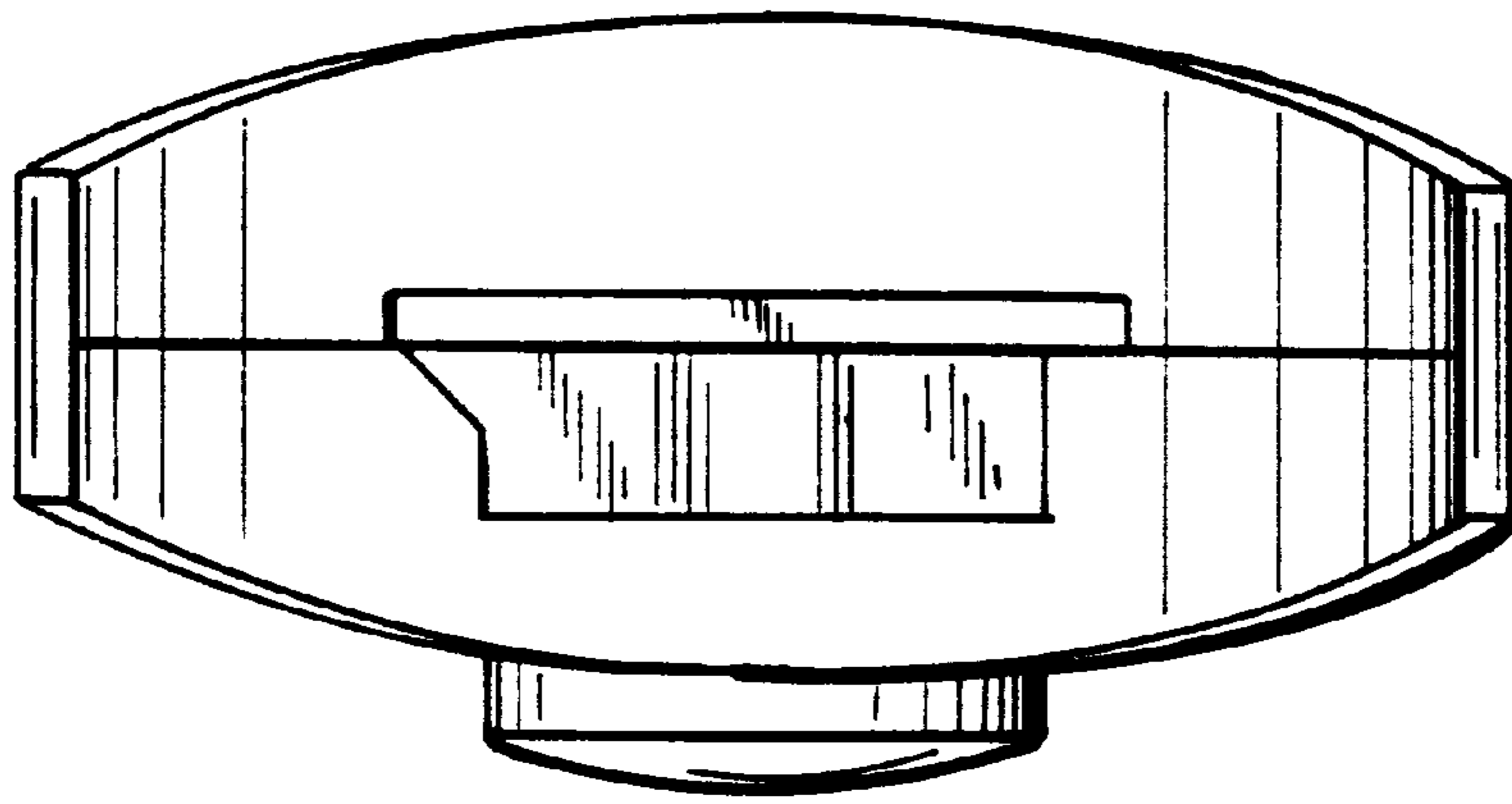


FIG. 6