



US00D413665S

United States Patent [19] Hudson

[11] Patent Number: Des. 413,665

[45] Date of Patent: ** Sep. 7, 1999

[54] HEATING, VENTILATING, AND AIR
CONDITIONING REGISTER

[75] Inventor: James N. Hudson, Fort Worth, Tex.

[73] Assignee: Molded Products Company, Haltom
City, Tex.

[**] Term: 14 Years

[21] Appl. No.: 29/092,858

[22] Filed: Aug. 28, 1998

[51] LOC (6) Cl. 23-04

[52] U.S. Cl. D23/393; D23/370

[58] Field of Search D23/370, 388,
D23/389, 392, 393, 324, 325; 454/155,
318

[56] References Cited

U.S. PATENT DOCUMENTS

D. 285,480	9/1986	Schulz .	
D. 288,959	3/1987	Schultz .	
D. 307,632	5/1990	Schulz .	
D. 358,205	5/1995	Ruhland	D23/393
3,572,233	3/1971	Bar et al.	454/155

Primary Examiner—Lisa Lichtenstein
Attorney, Agent, or Firm—Arthur F Zobal

[57] CLAIM

The ornamental design for a heating, ventilating, and air conditioning register, as shown and described.

DESCRIPTION

FIG. 1 is a perspective view of the top of a heating, ventilating, and air conditioning register with its vanes closed, showing my new design;

FIG. 2 is a top plan view with said vanes closed;

FIG. 3 is a right end elevational view;

FIG. 4 is a left end elevational view;

FIG. 5 is a first side elevational view, the opposite side being a mirror image thereof;

FIG. 6 is an elevational view of said opposite side with said vanes open, said first side being a mirror image thereof;

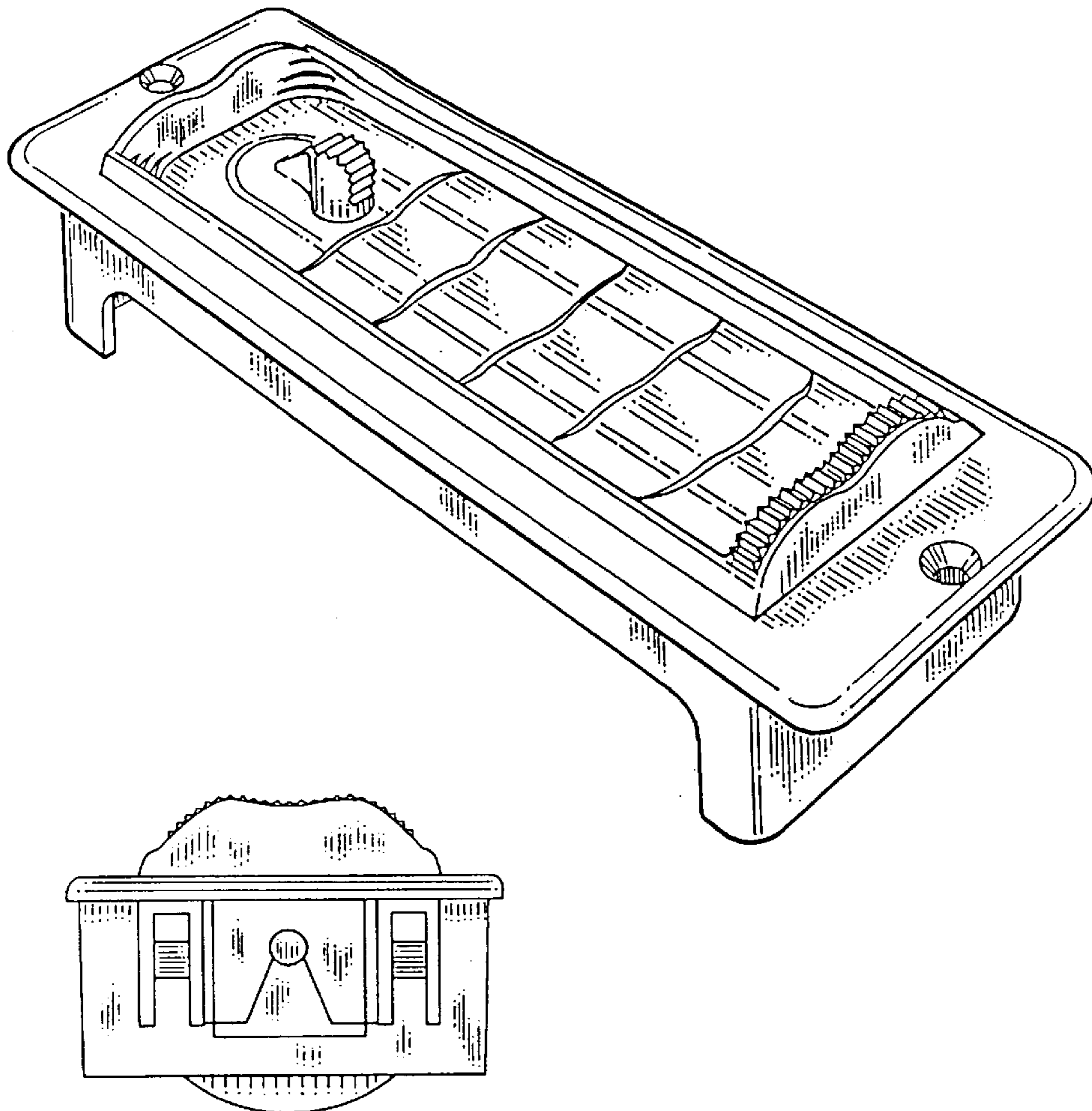
FIG. 7 is a perspective view of the top of said heating, ventilating, and air conditioning register with said vanes partially open;

FIG. 8 is a top plan view with said vanes open;

FIG. 9 is a bottom plan view showing said vanes open; and,

FIG. 10 is an end view similar to that of FIG. 4 with said vanes open.

1 Claim, 4 Drawing Sheets



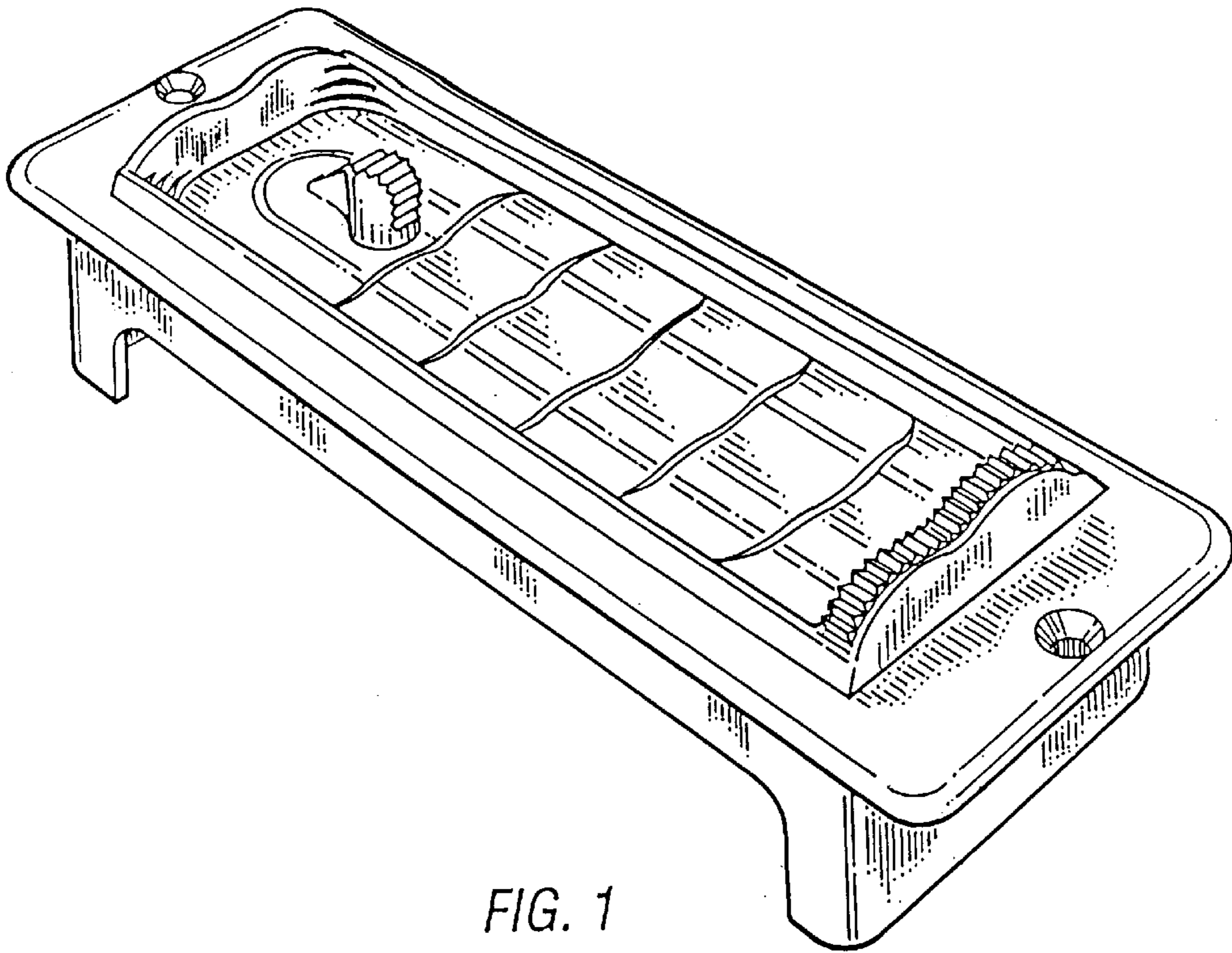


FIG. 1

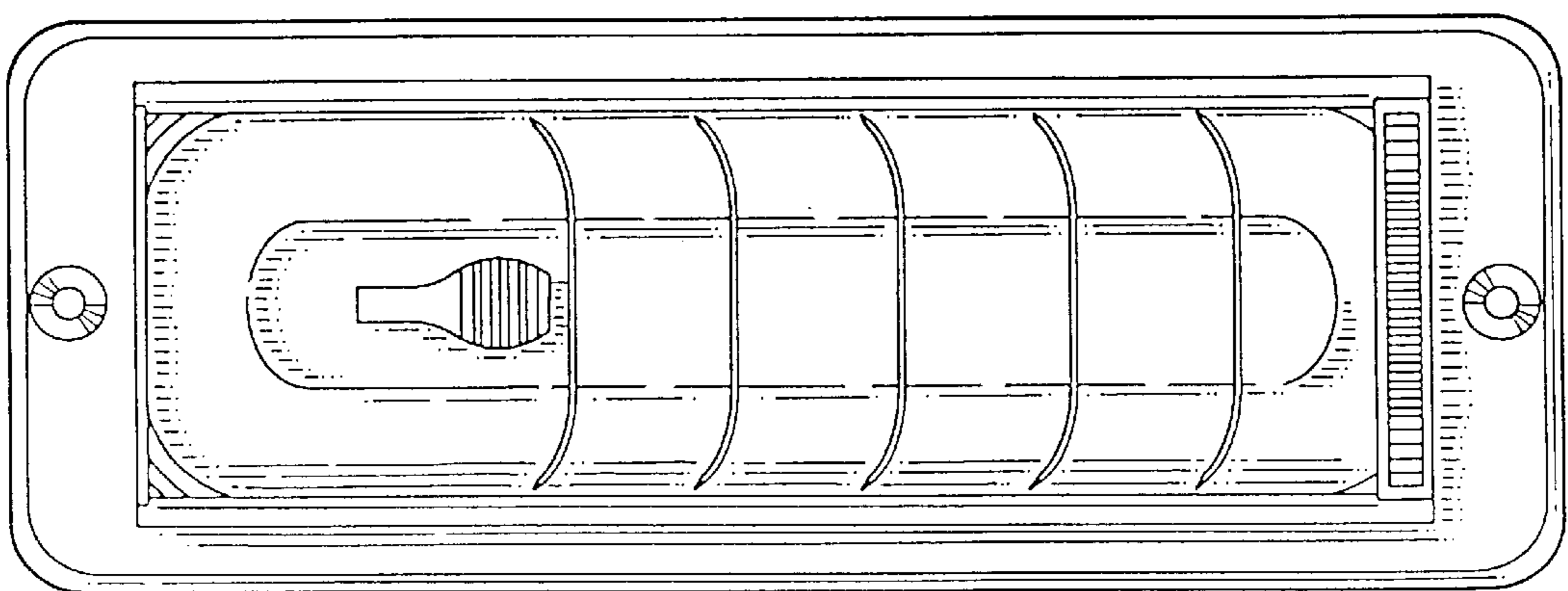


FIG. 2

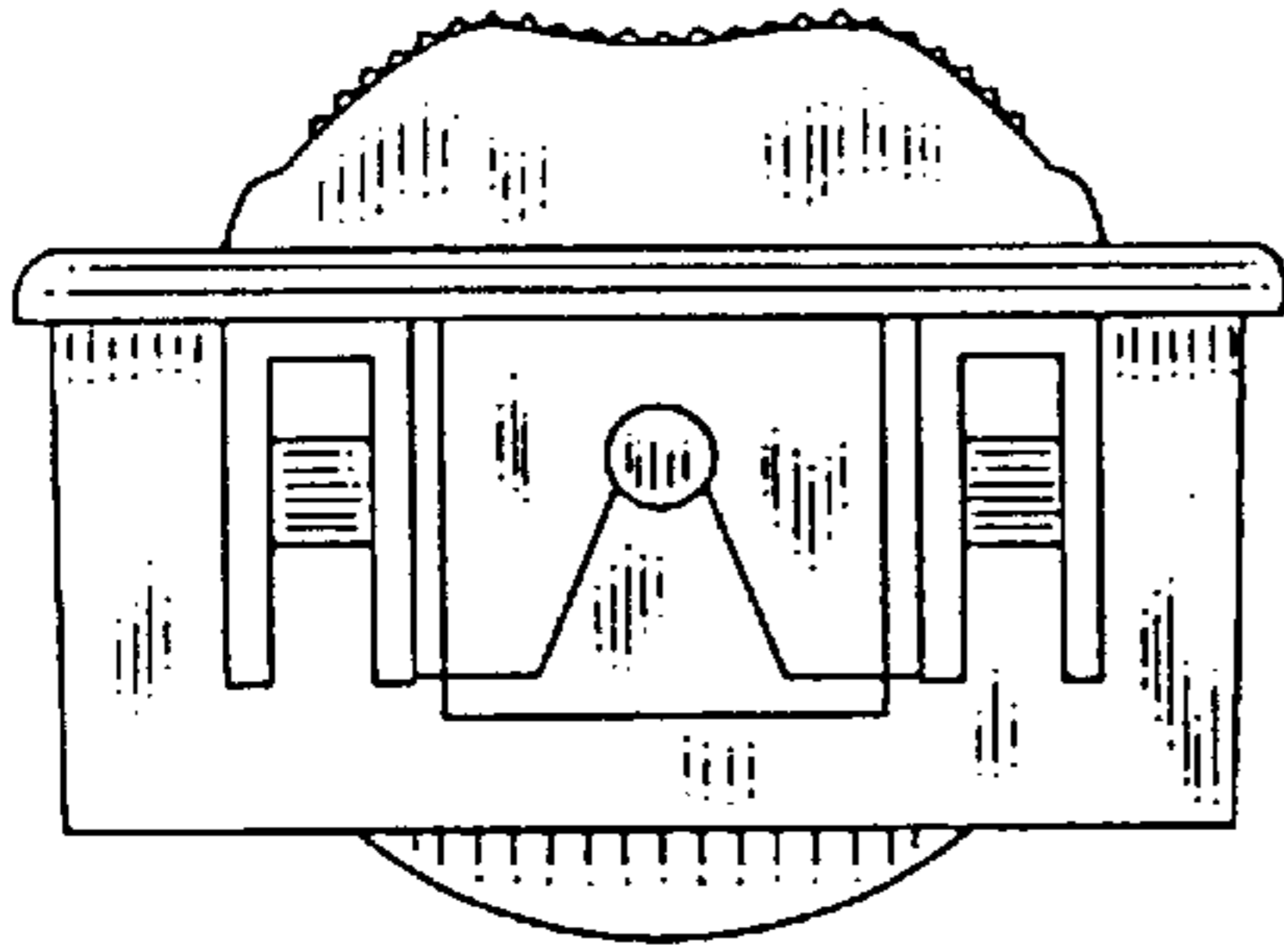


FIG. 3

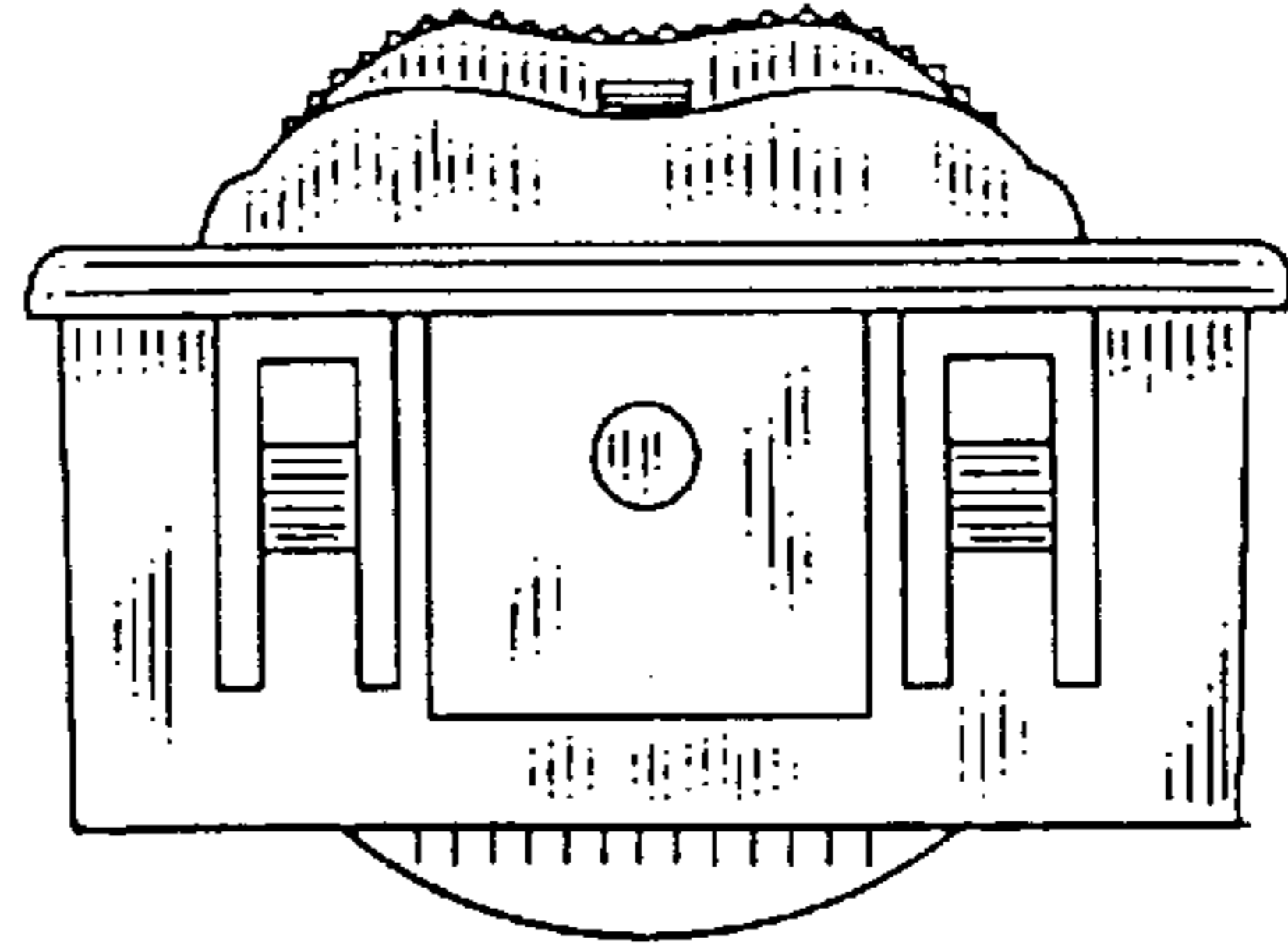


FIG. 4

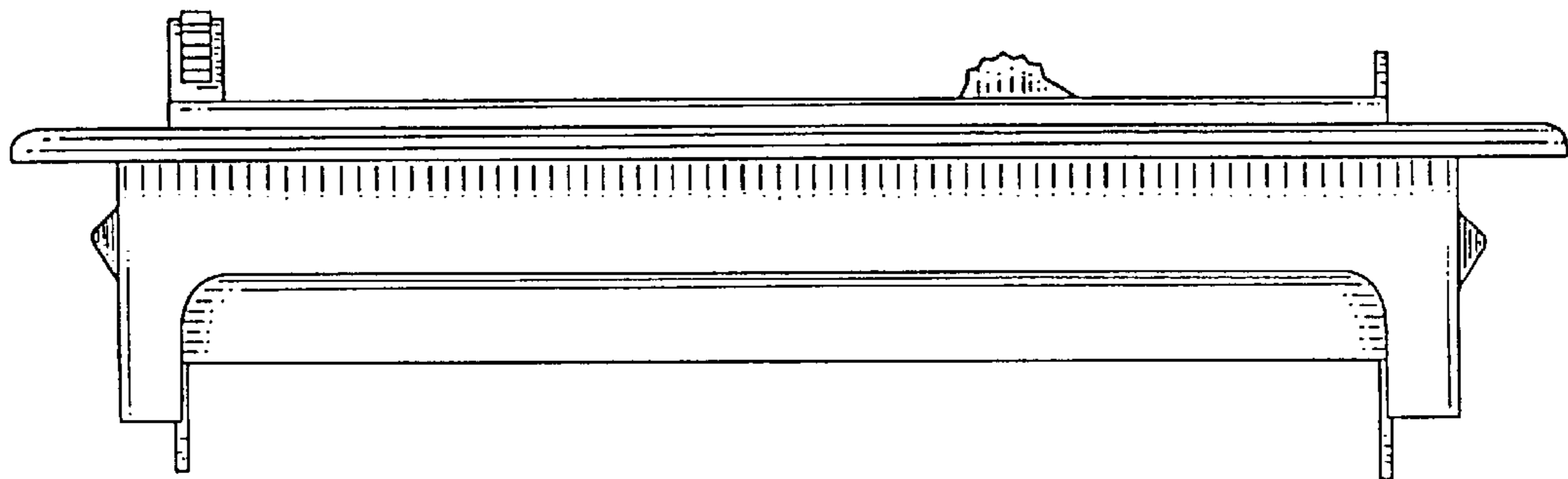


FIG. 5

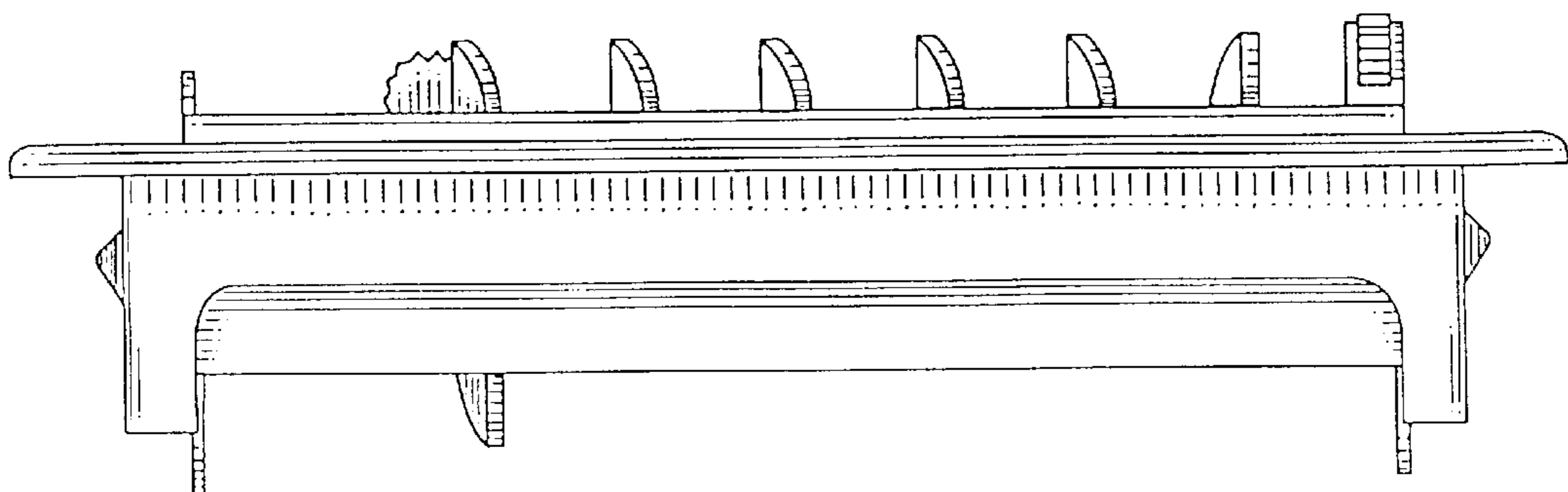


FIG. 6

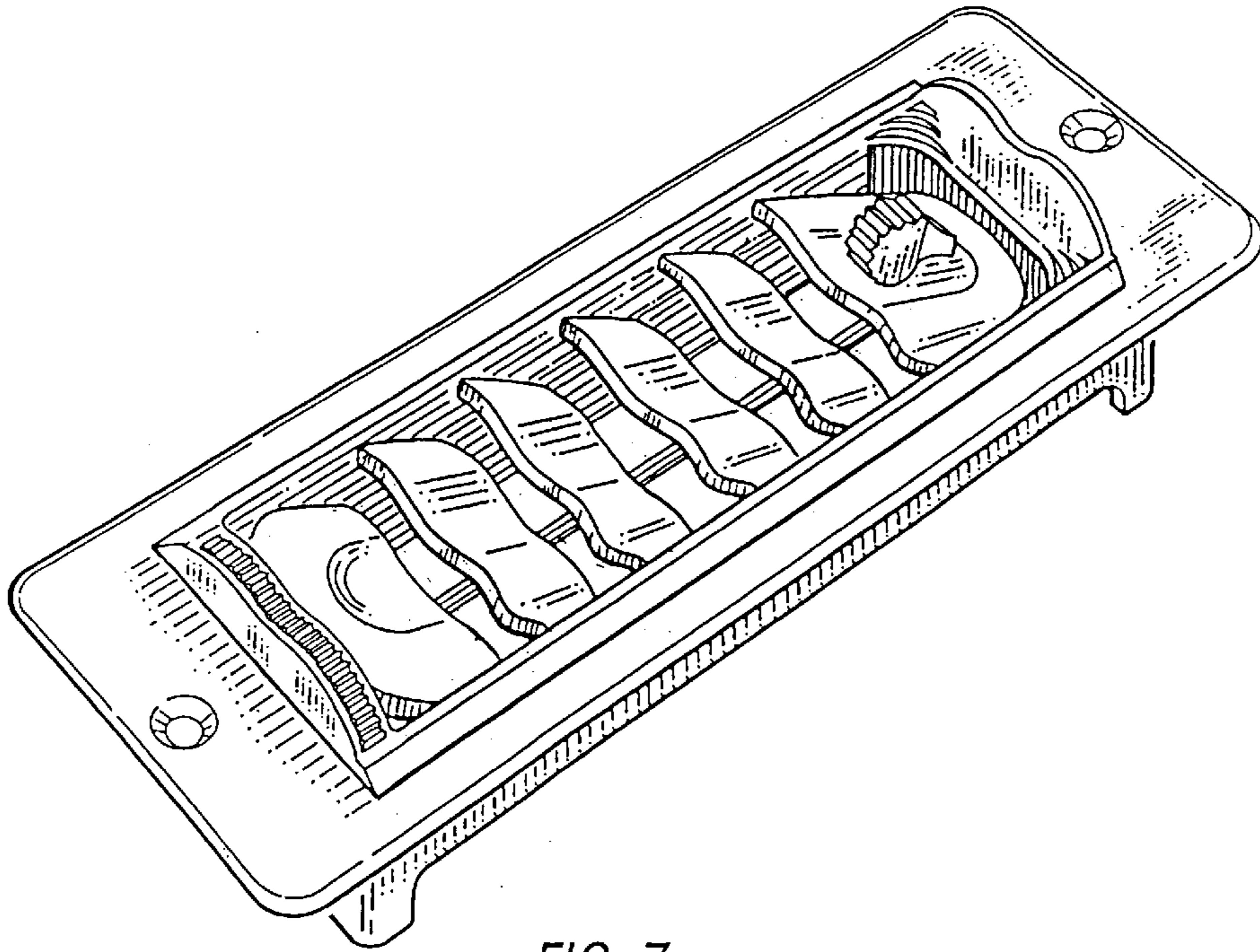


FIG. 7

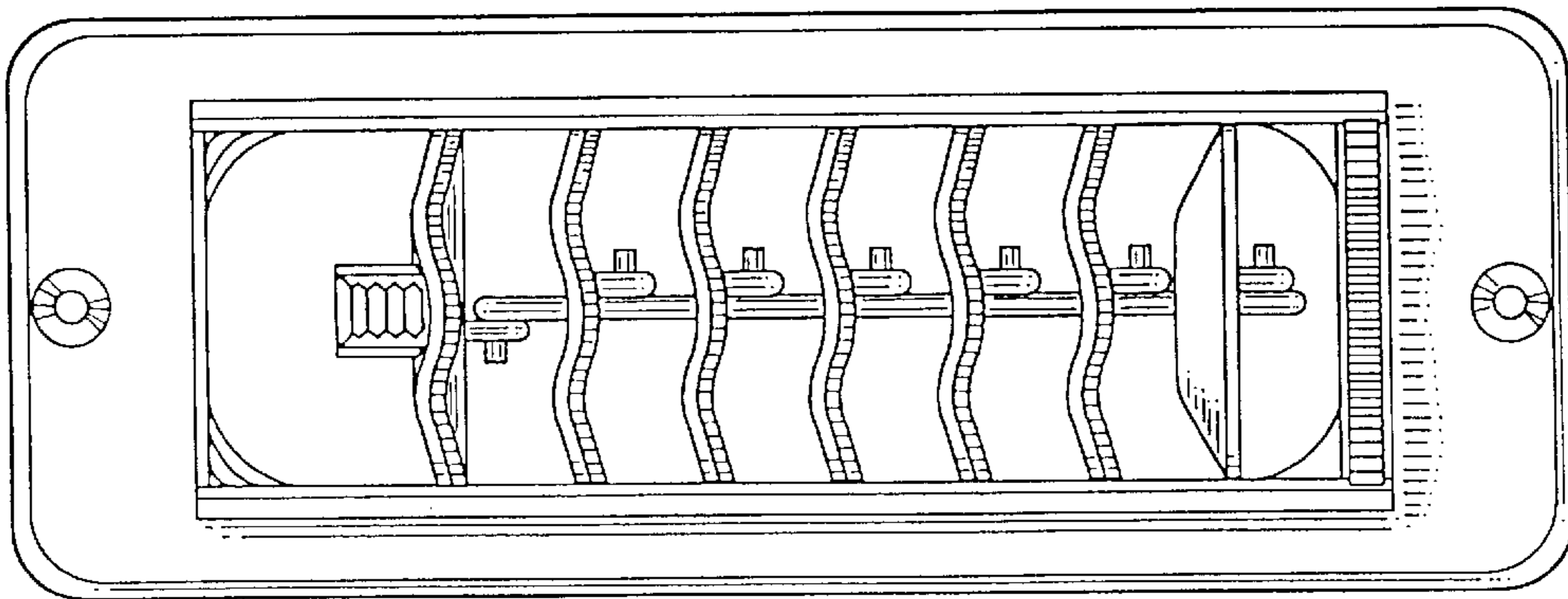


FIG. 8

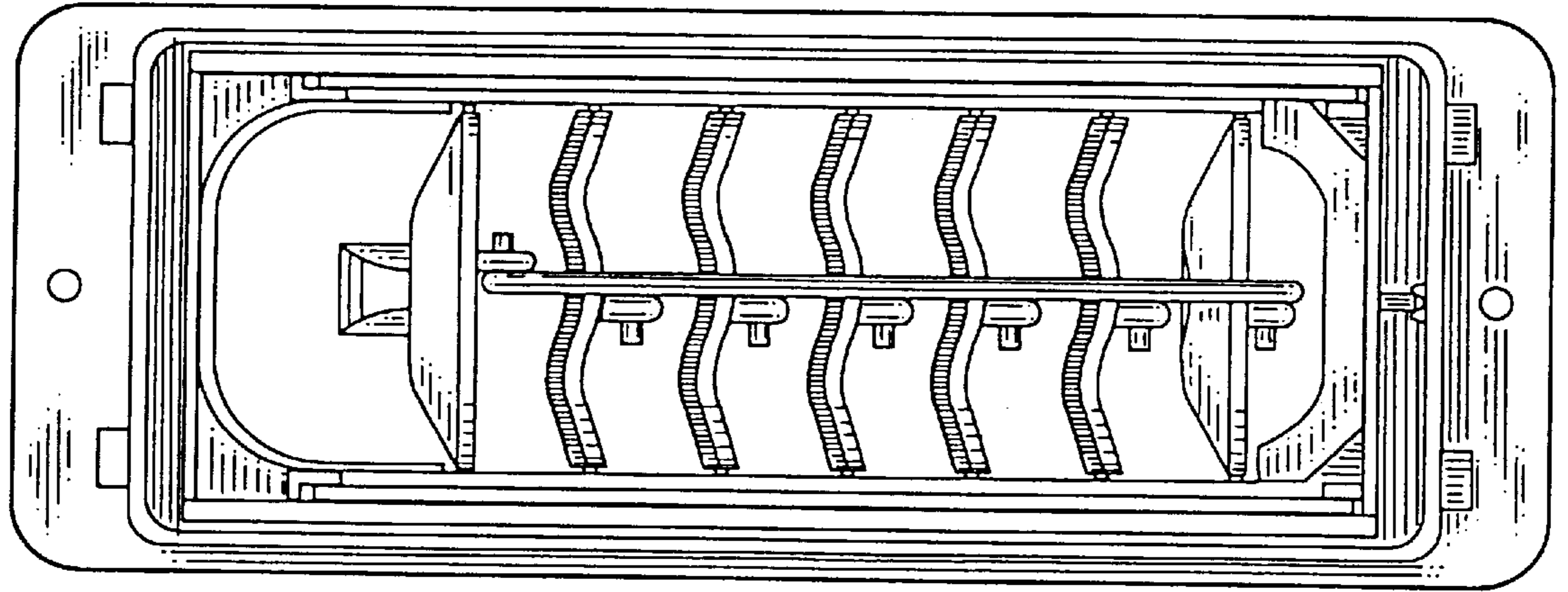


FIG. 9

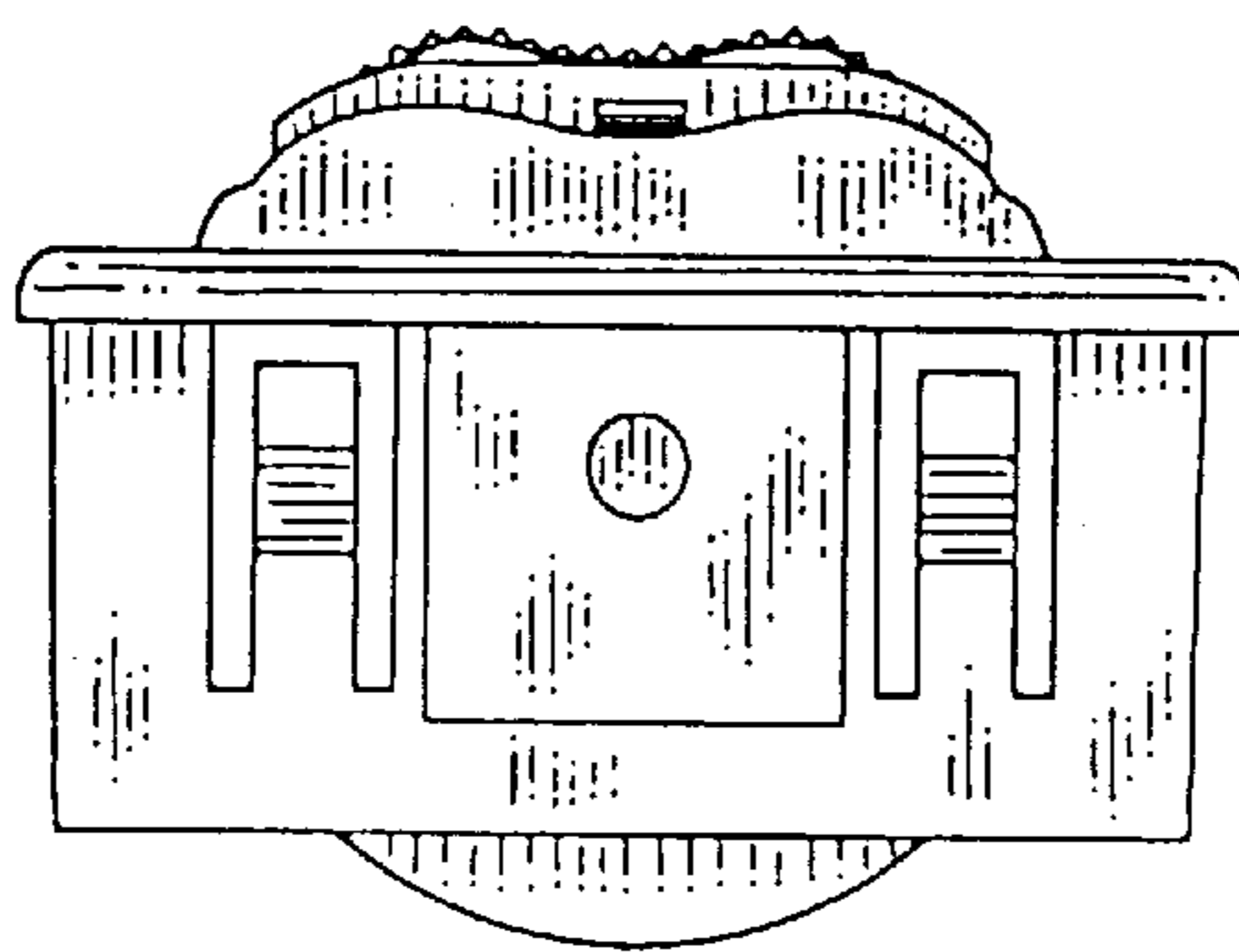


FIG. 10