



US00D413664S

United States Patent [19]

Keller et al.

[11] Patent Number: Des. 413,664

[45] Date of Patent: ** Sep. 7, 1999

[54] FAN

D. 358,639 5/1995 Chiv D23/411
4,927,324 5/1990 Coup et al. .

[75] Inventors: **Kevin E. Keller**, Wichita; **Glen W. Ediger**, N. Newton; **Gary P. Israel**, Andover; **Dustan L. Hahn**, Derby, all of Kans.

Primary Examiner—Lisa Lichtenstein
Attorney, Agent, or Firm—Stinson Mag & Fizzell

[73] Assignee: **Vornado Air Circulation Systems, Inc.**, Andover, Kans.

[57] CLAIM

The ornamental design for a fan, as shown.

[**] Term: **14 Years**

DESCRIPTION

[21] Appl. No.: **29/074,647**

FIG. 1 is a front and left side perspective view of the fan of the present invention;

[22] Filed: **Aug. 8, 1997**

FIG. 2 is a left side elevational view of the fan of FIG. 1;

[51] **LOC (6) Cl.** **23-04**

[52] **U.S. Cl.** **D23/381**

[58] **Field of Search** D23/382, 381,
D23/378, 411, 412, 370; 415/213.1, 211.2;
416/247 R, 246; 248/678

FIG. 3 is a right side elevational view of the fan of FIG. 1;

FIG. 4 is a front elevational view of the fan of FIG. 1;

FIG. 5 is a rear elevational view of the fan of FIG. 1;

FIG. 6 is a top plan view of the fan of FIG. 1; and,

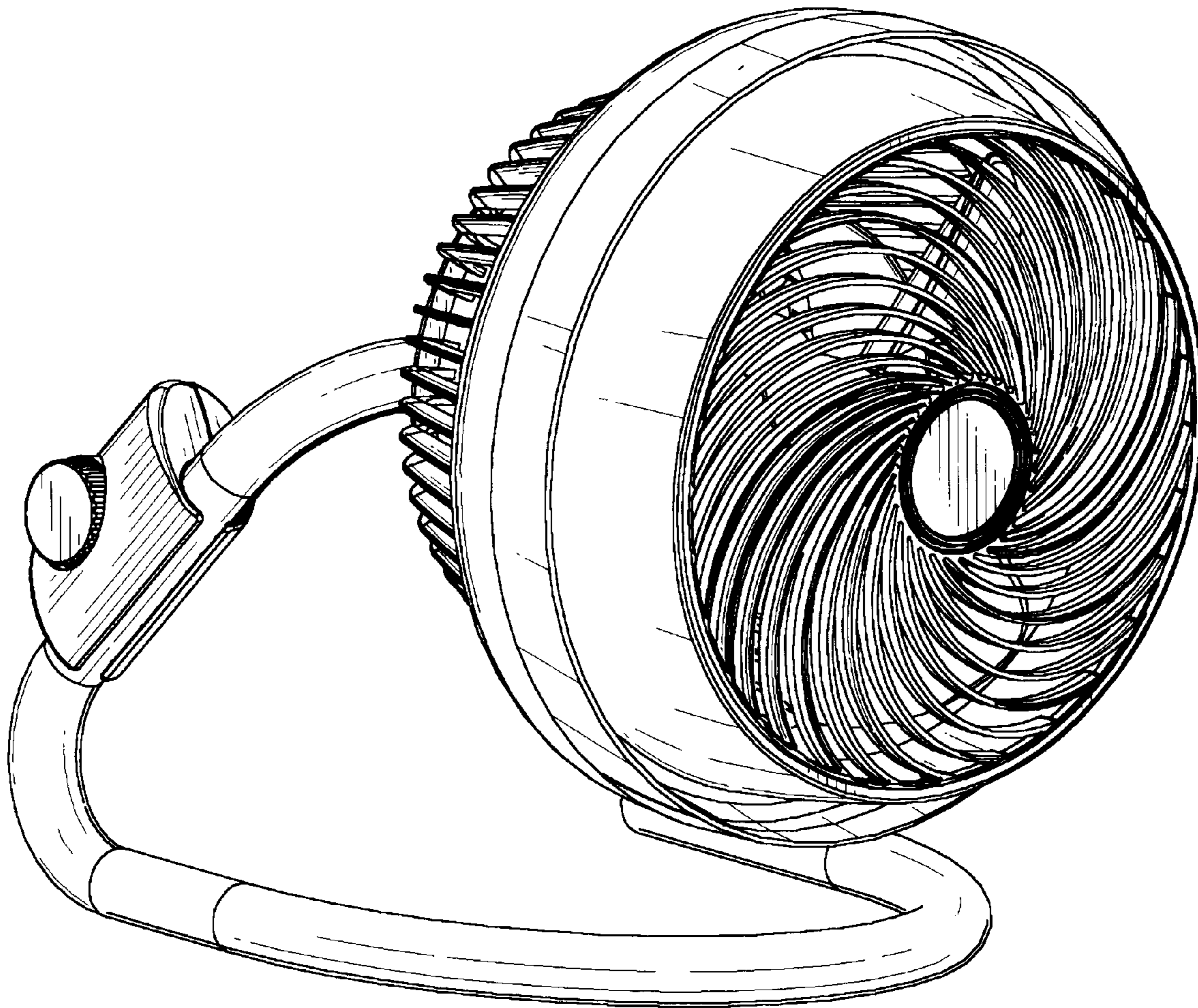
FIG. 7 is a bottom plan view of the fan of FIG. 1.

[56] References Cited

U.S. PATENT DOCUMENTS

D. 312,124 11/1990 Coup et al. .

1 Claim, 4 Drawing Sheets



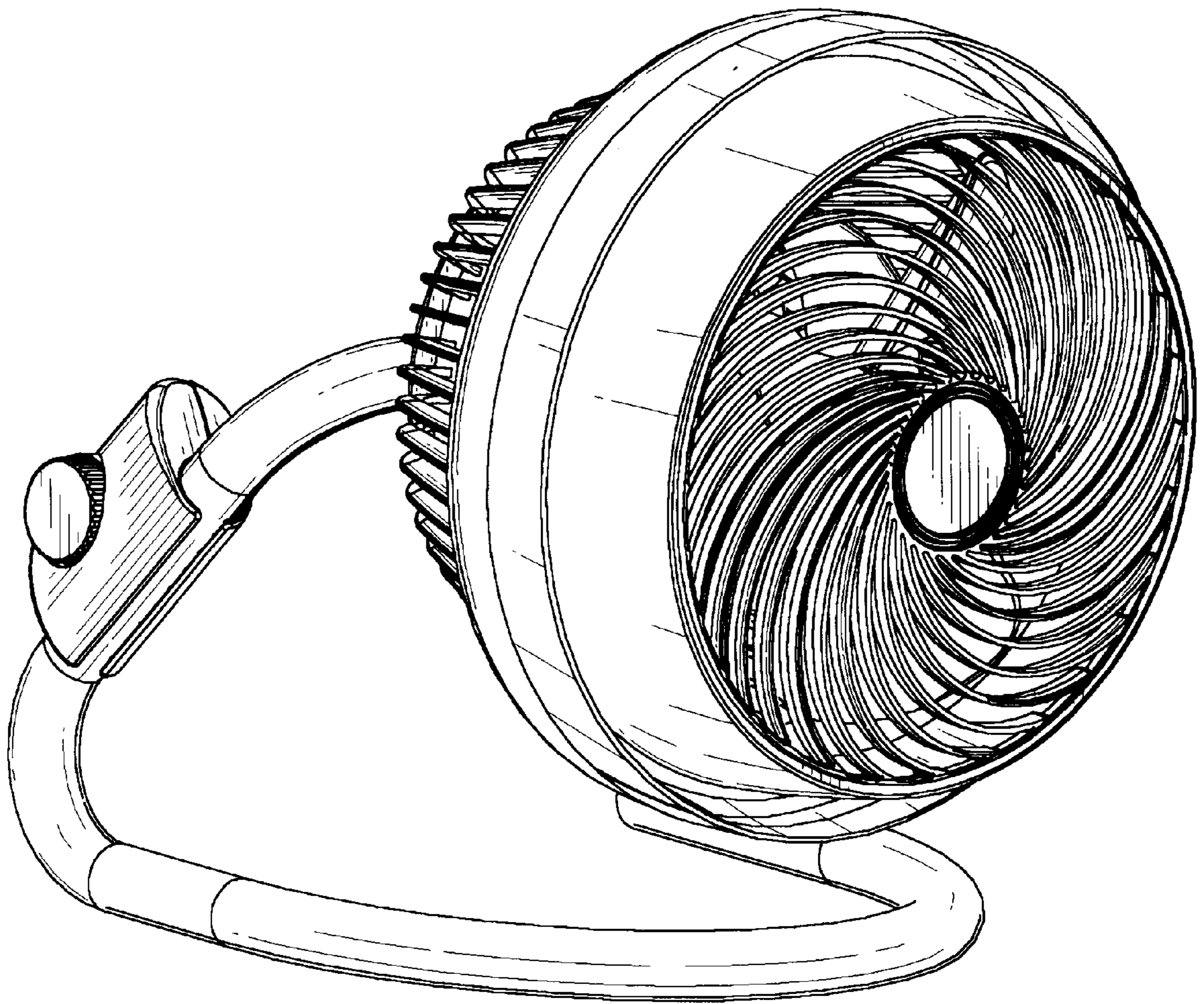


FIG. 1

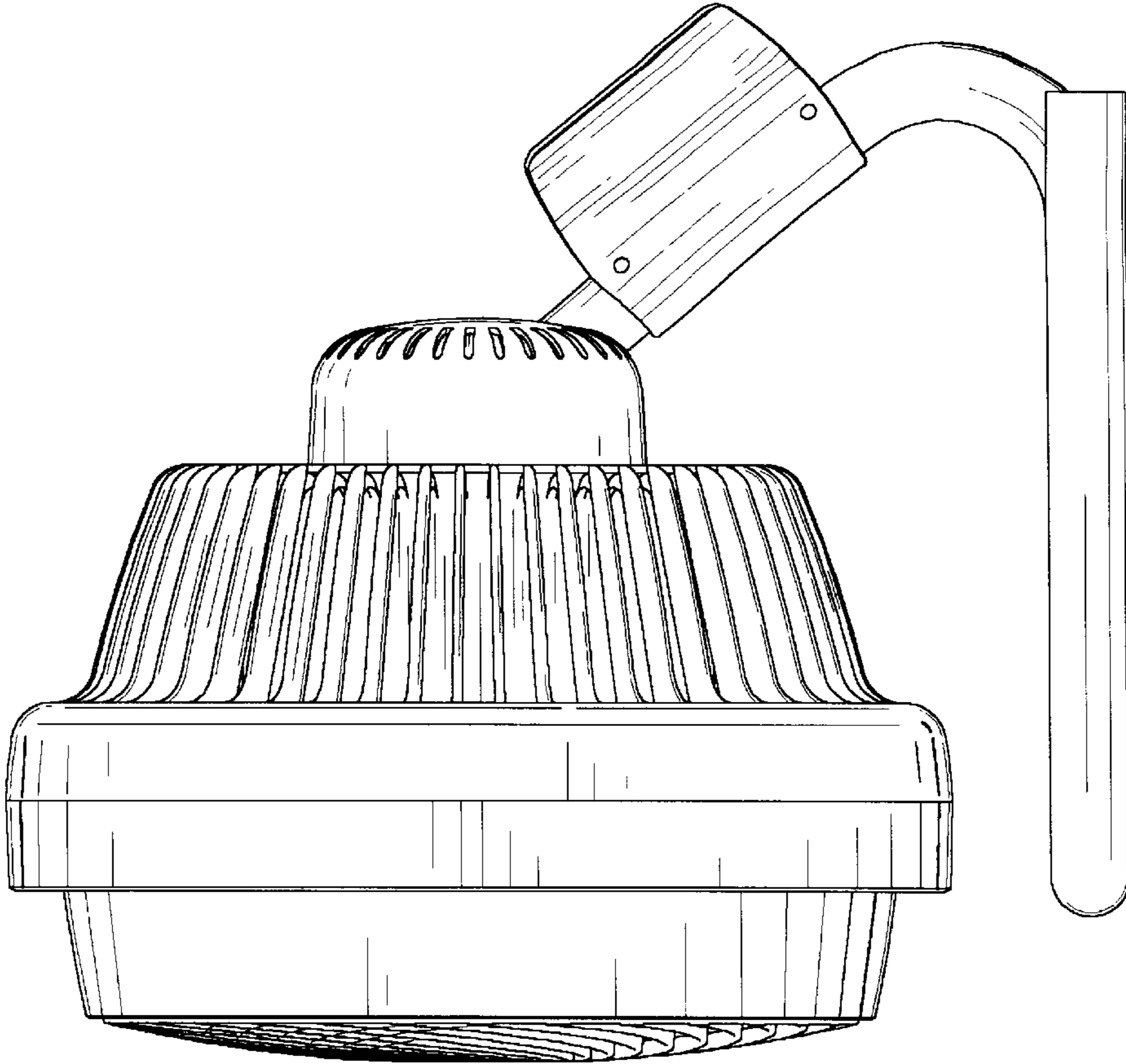


FIG. 3

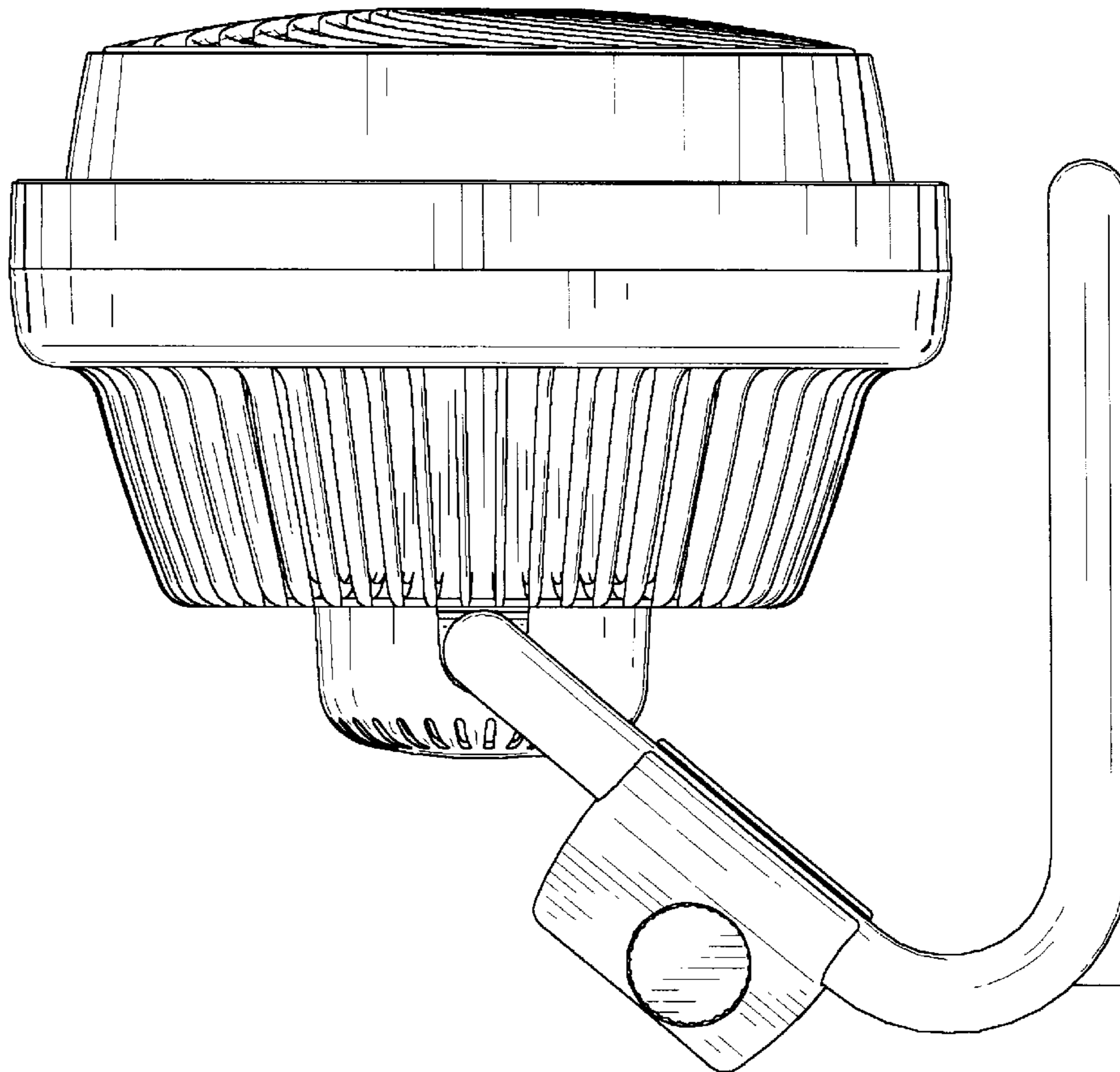


FIG. 2

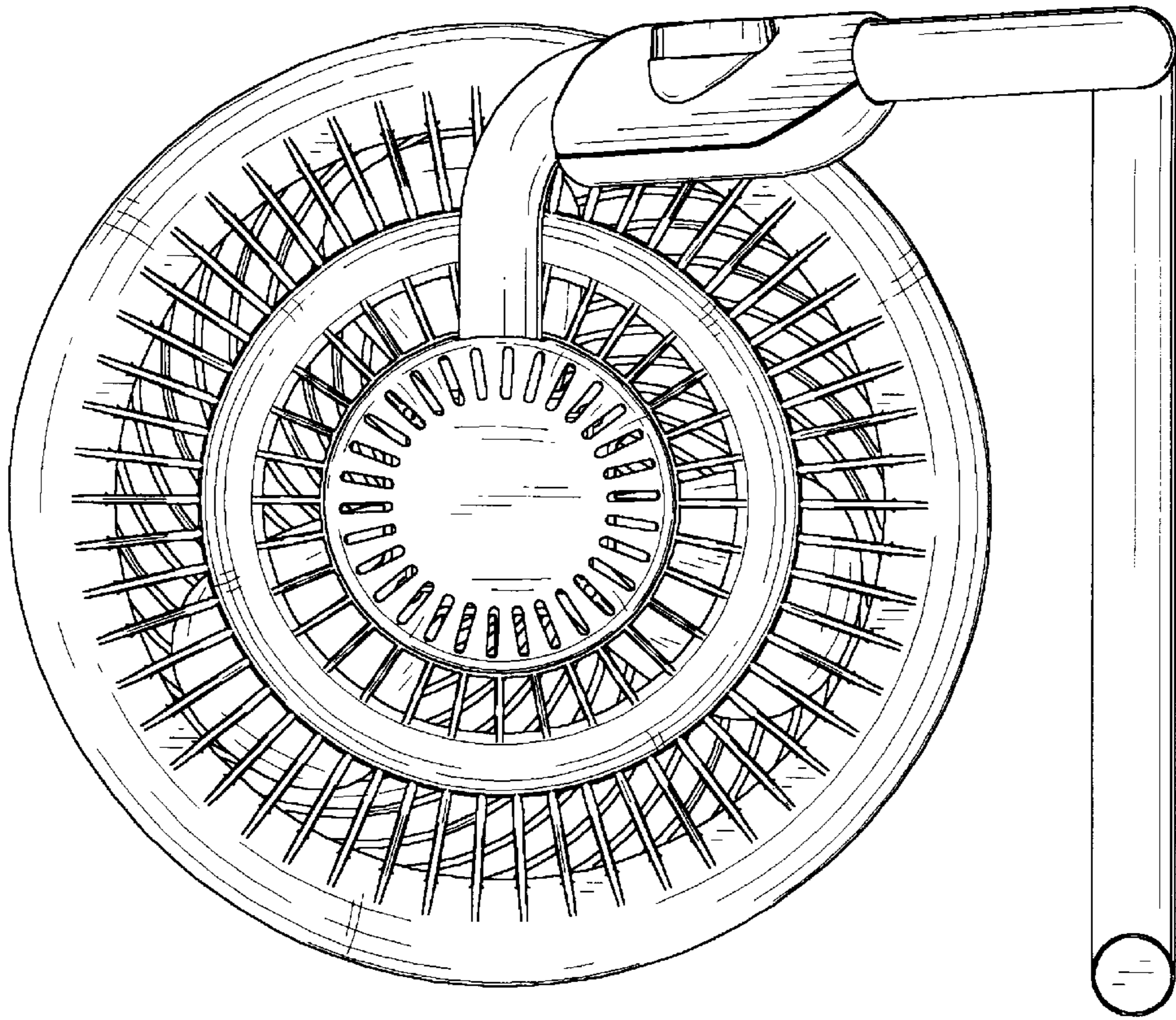


FIG. 5

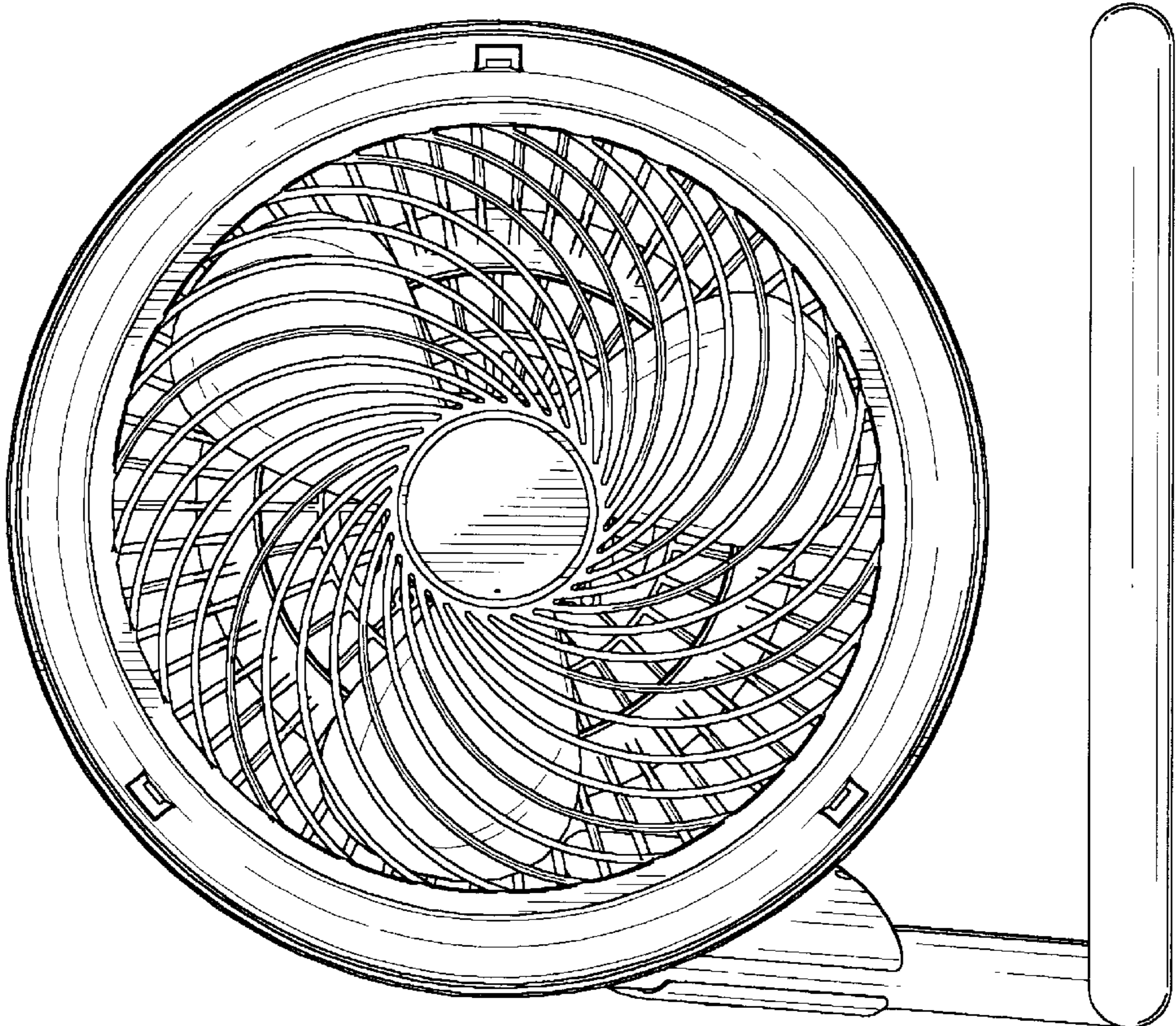


FIG. 4

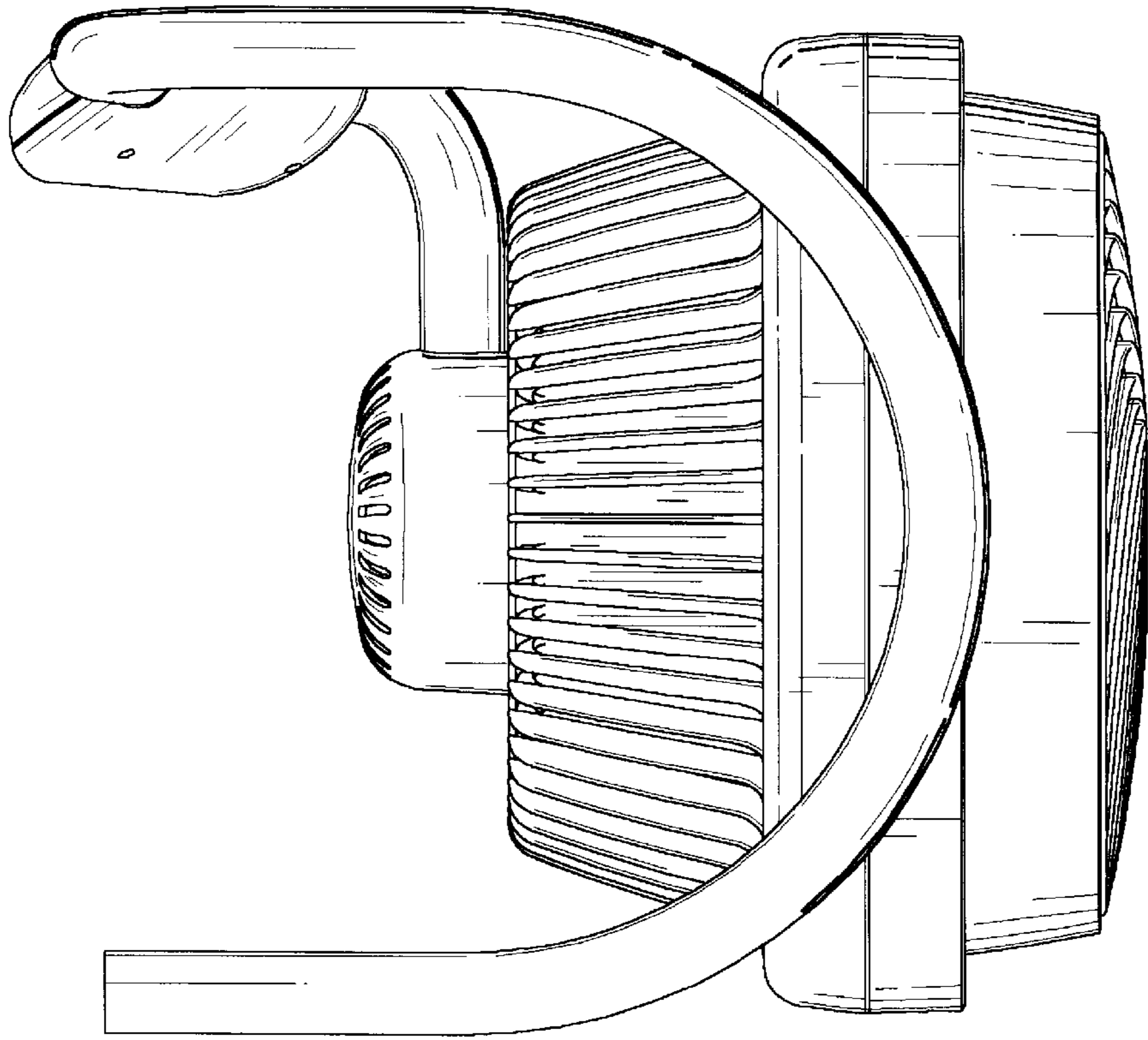


FIG. 7

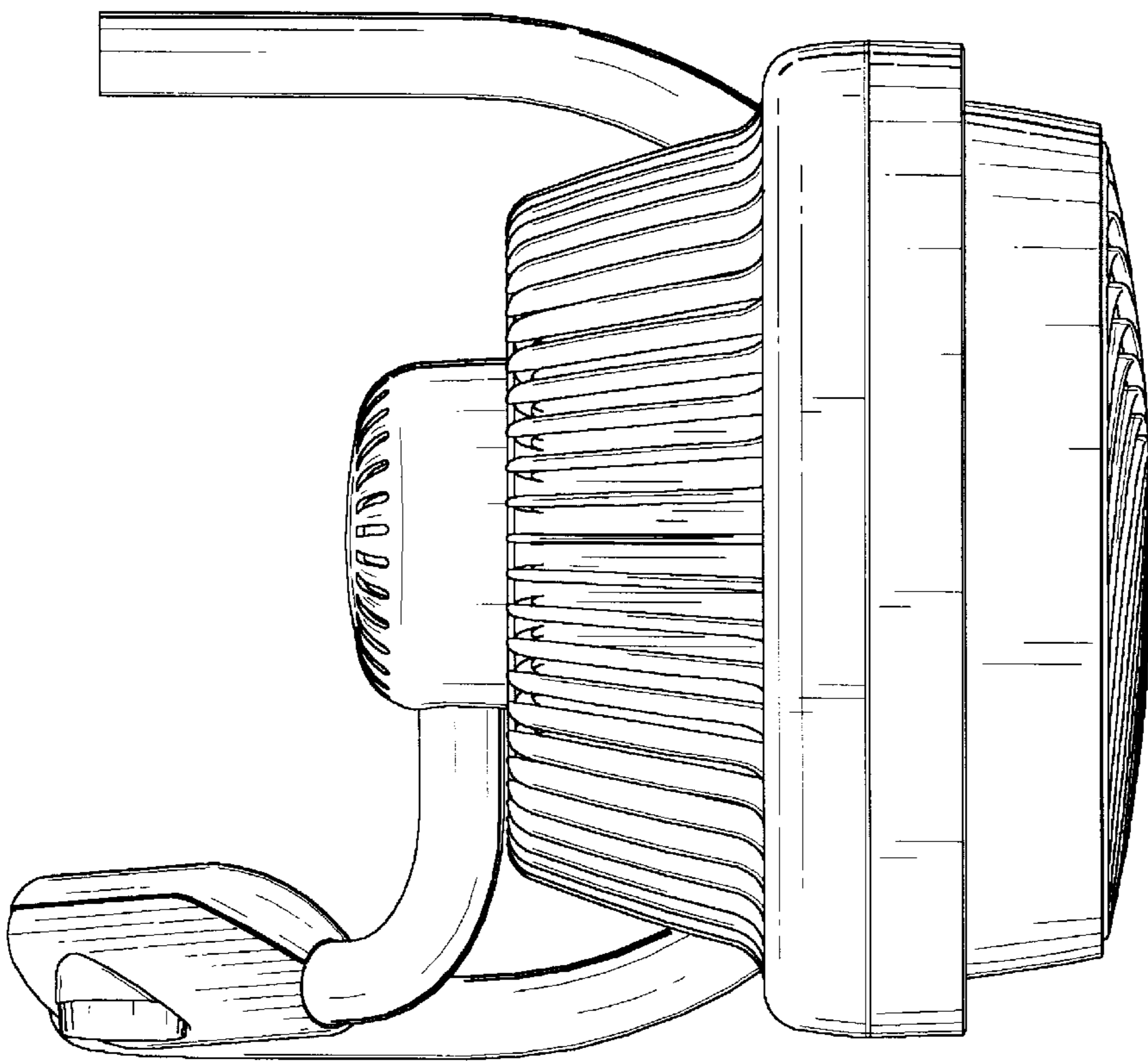


FIG. 6