



US00D413659S

**United States Patent** [19]  
**Swartz**

[11] **Patent Number: Des. 413,659**

[45] **Date of Patent: \*\* Sep. 7, 1999**

[54] **IMMERSION APPARATUS TO HEAT A SOLUTION**

FOREIGN PATENT DOCUMENTS

456092 7/1968 Switzerland ..... 392/333

[76] Inventor: **Mitchell R. Swartz**, 16 Pembroke Rd.,  
Weston, Mass. 02193

*Primary Examiner*—Lisa Lichtenstein

[\*\*] Term: **14 Years**

[57] **CLAIM**

[21] Appl. No.: **29/059,370**

The ornamental design for an immersion apparatus to heat a solution, as shown and described.

[22] Filed: **Sep. 9, 1996**

**DESCRIPTION**

[51] **LOC (6) Cl.** ..... **23-03**

[52] **U.S. Cl.** ..... **D23/316**

[58] **Field of Search** ..... D23/316; 392/322,  
392/333

FIG. 1 is a front perspective view of an immersion apparatus to heat a solution.

FIG. 2 is a top plan view thereof; and,

FIG. 3 is a bottom plan view thereof.

[56] **References Cited**

U.S. PATENT DOCUMENTS

4,163,895 8/1979 Hausir et al. .... 392/322

**1 Claim, 3 Drawing Sheets**

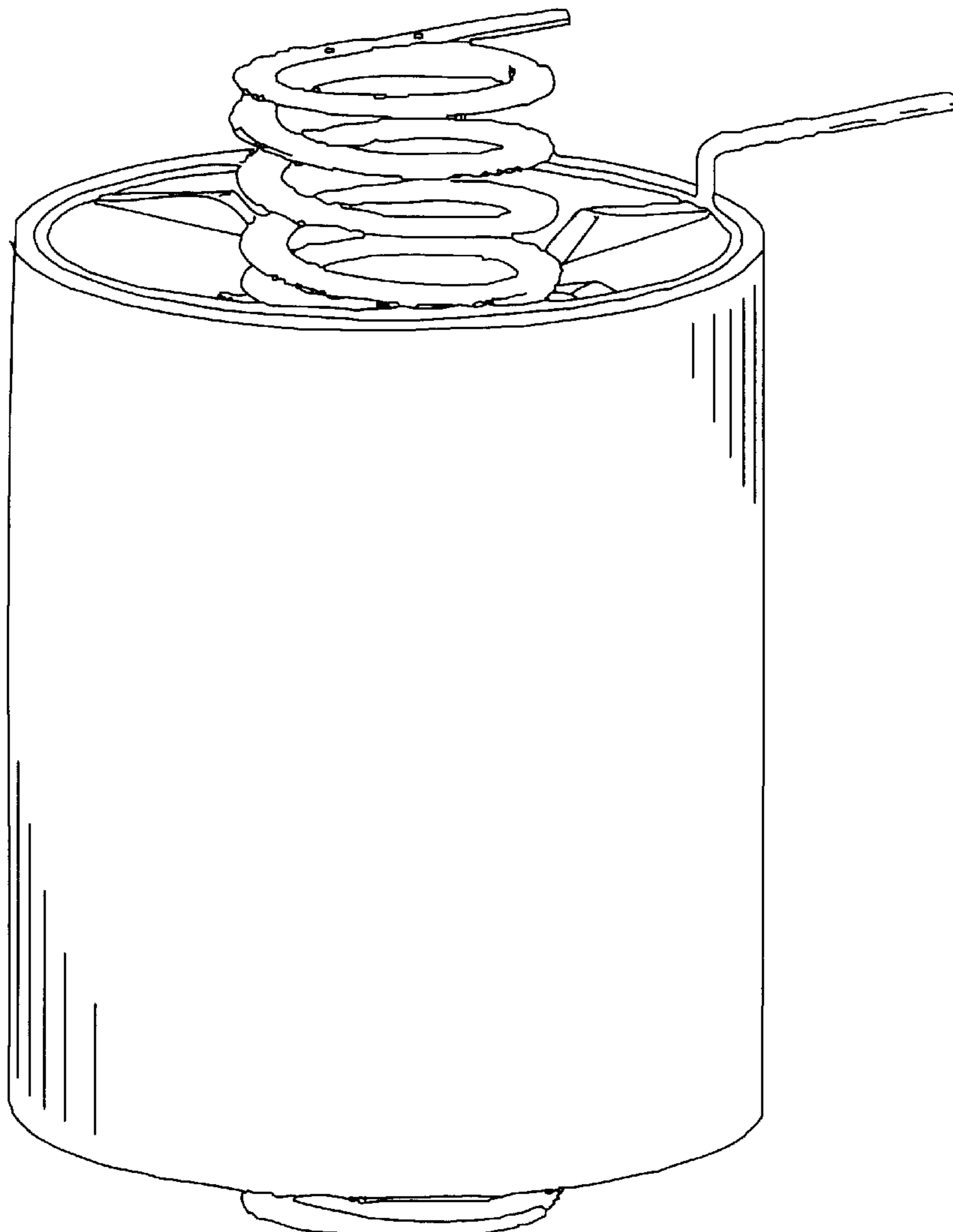


FIG. 1

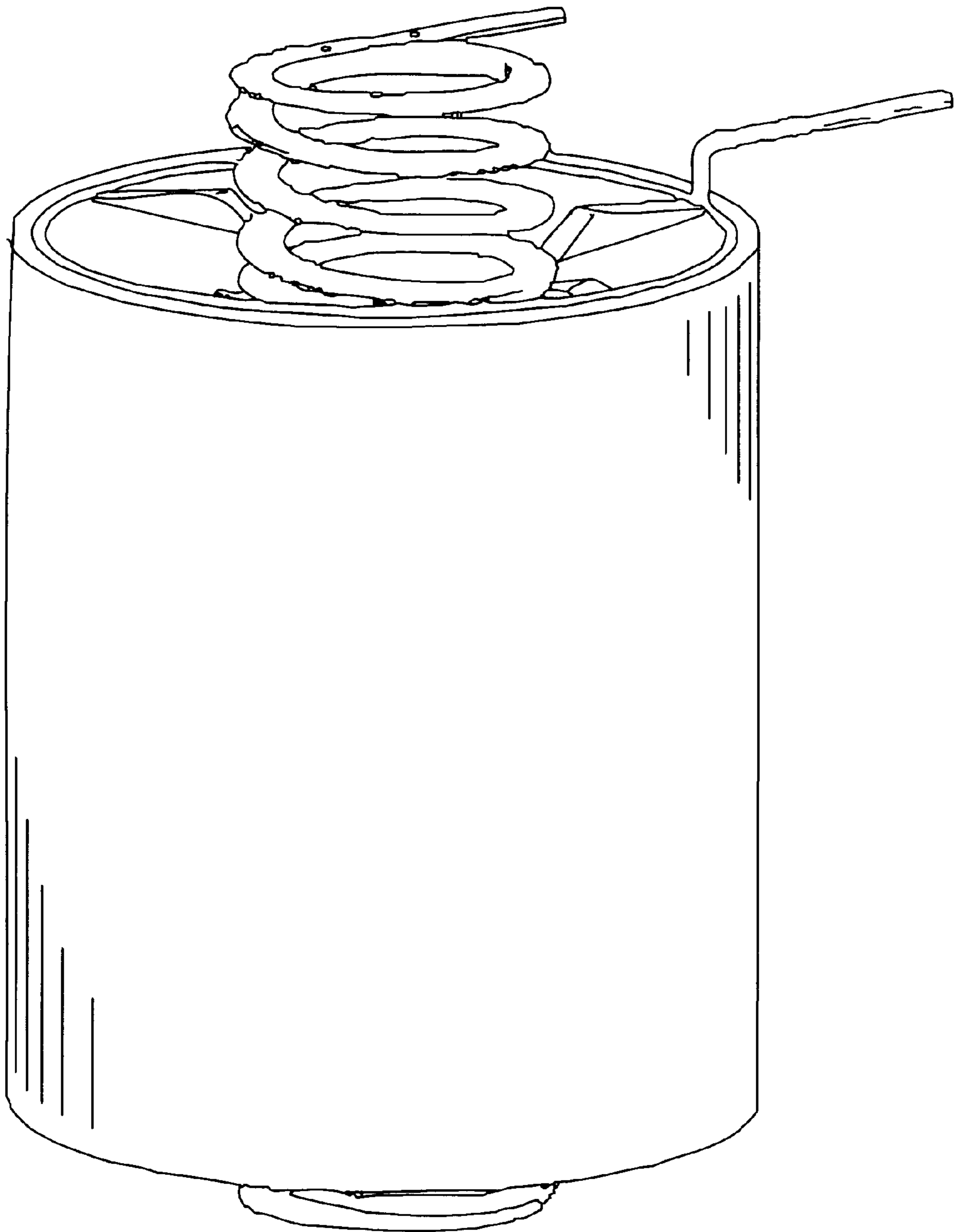


FIG. 2

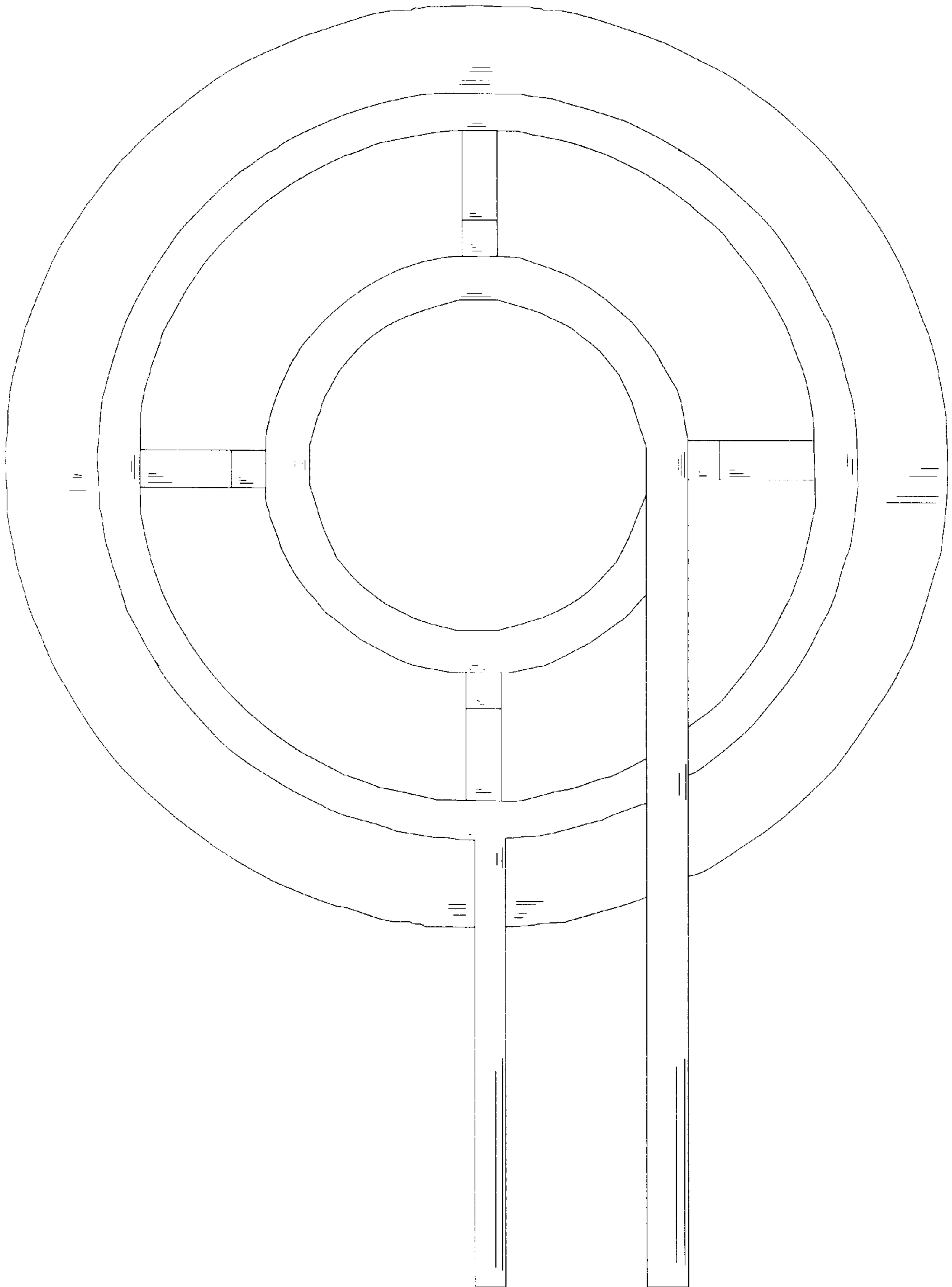


FIG. 3

