



US00D413658S

United States Patent [19]

[11] **Patent Number: Des. 413,658**

Birsel et al.

[45] **Date of Patent: ** Sep. 7, 1999**

[54] **COMBINED TOILET SEAT AND COVER**

[75] Inventors: **Ayse Birsel; Noriko Hiraga; Junichi Tani; Koichi Watanabe**, all of Kitakyushu, Japan

[73] Assignee: **Toto Ltd.**, Fukuoka-ken, Japan

[**] Term: **14 Years**

[21] Appl. No.: **29/051,777**

[22] Filed: **Mar. 18, 1996**

Related U.S. Application Data

[63] Continuation-in-part of application No. 29/036,830, Mar. 28, 1995.

[51] **LOC (6) Cl. 23-01**

[52] **U.S. Cl. D23/311**

[58] **Field of Search D23/311; 4/237, 4/234, 578.1**

[56] **References Cited**

U.S. PATENT DOCUMENTS

D. 222,965	2/1972	Kira et al.	D23/311
3,786,522	1/1974	Kira et al.	4/237
4,175,294	11/1979	Boyd	4/237
4,244,063	1/1981	Bayard	4/237
4,457,029	7/1984	Matthews	4/237

Primary Examiner—Stella Reid
Assistant Examiner—Eric Watterson
Attorney, Agent, or Firm—Finnegan, Henderson, Farabow, Garrett & Dunner, L.L.P.

[57] **CLAIM**

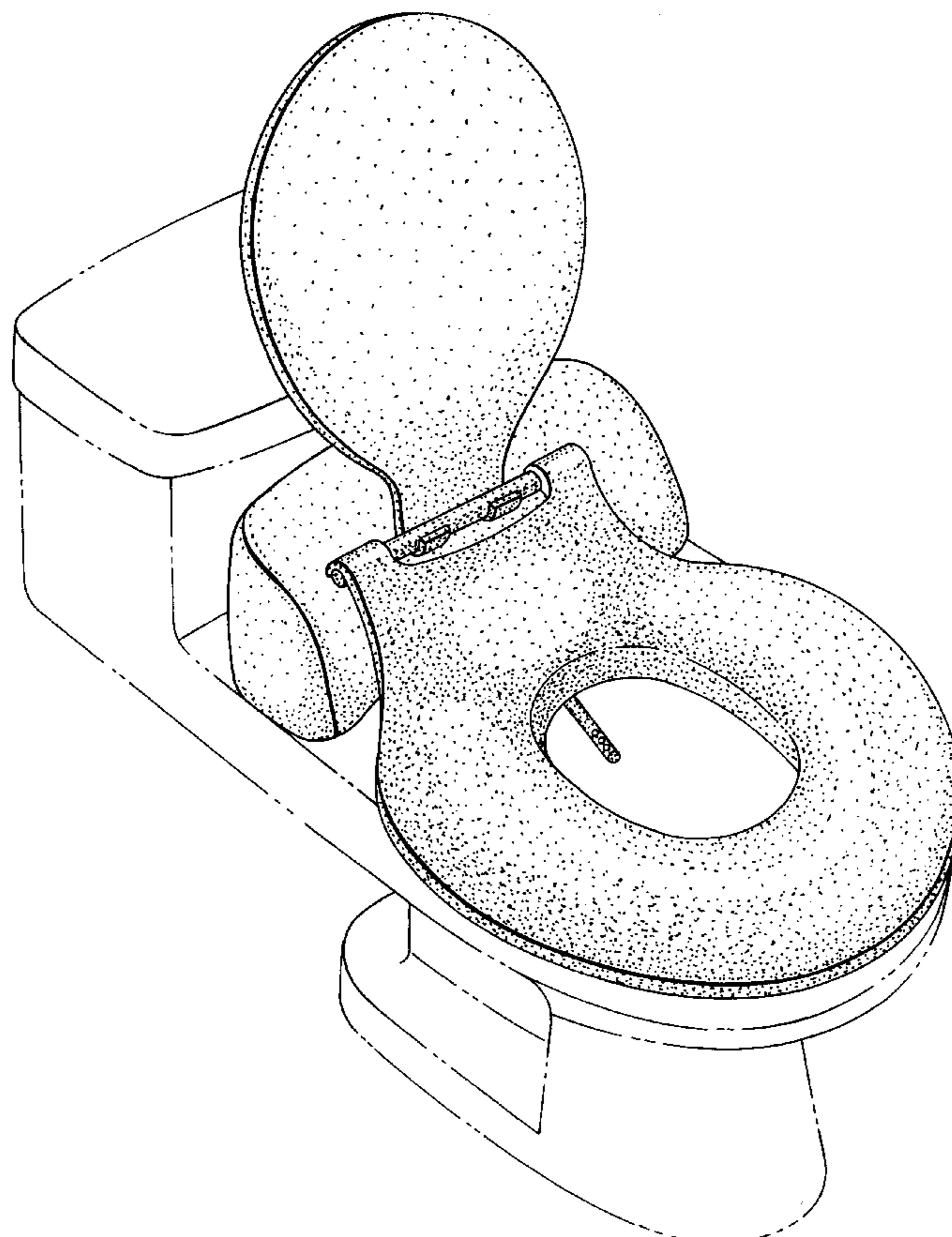
The ornamental design for a combined toilet seat and cover, as shown and described.

DESCRIPTION

FIG. 1 is a perspective view of a combined toilet seat and cover embodying our design; FIG. 2 is a top plan view with the cover in a closed position; FIG. 3 is a bottom plan view thereof; FIG. 4 is a front elevational view thereof; FIG. 5 is a rear elevational view thereof; FIG. 6 is a left side elevational view thereof; FIG. 7 is a right side elevational view thereof; FIG. 8 is a perspective view of a second embodiment of our invention; FIG. 9 is a top plan view with the cover in a closed position; FIG. 10 is a bottom plan view thereof; FIG. 11 is a front elevational view thereof; FIG. 12 is a rear elevational view thereof; and, FIG. 13 is a side elevational view, the opposite side being a mirror image thereof.

The dashed lines shown in FIGS. 1 and 8 illustrate environment only and do not form a part of the claimed design.

1 Claim, 7 Drawing Sheets



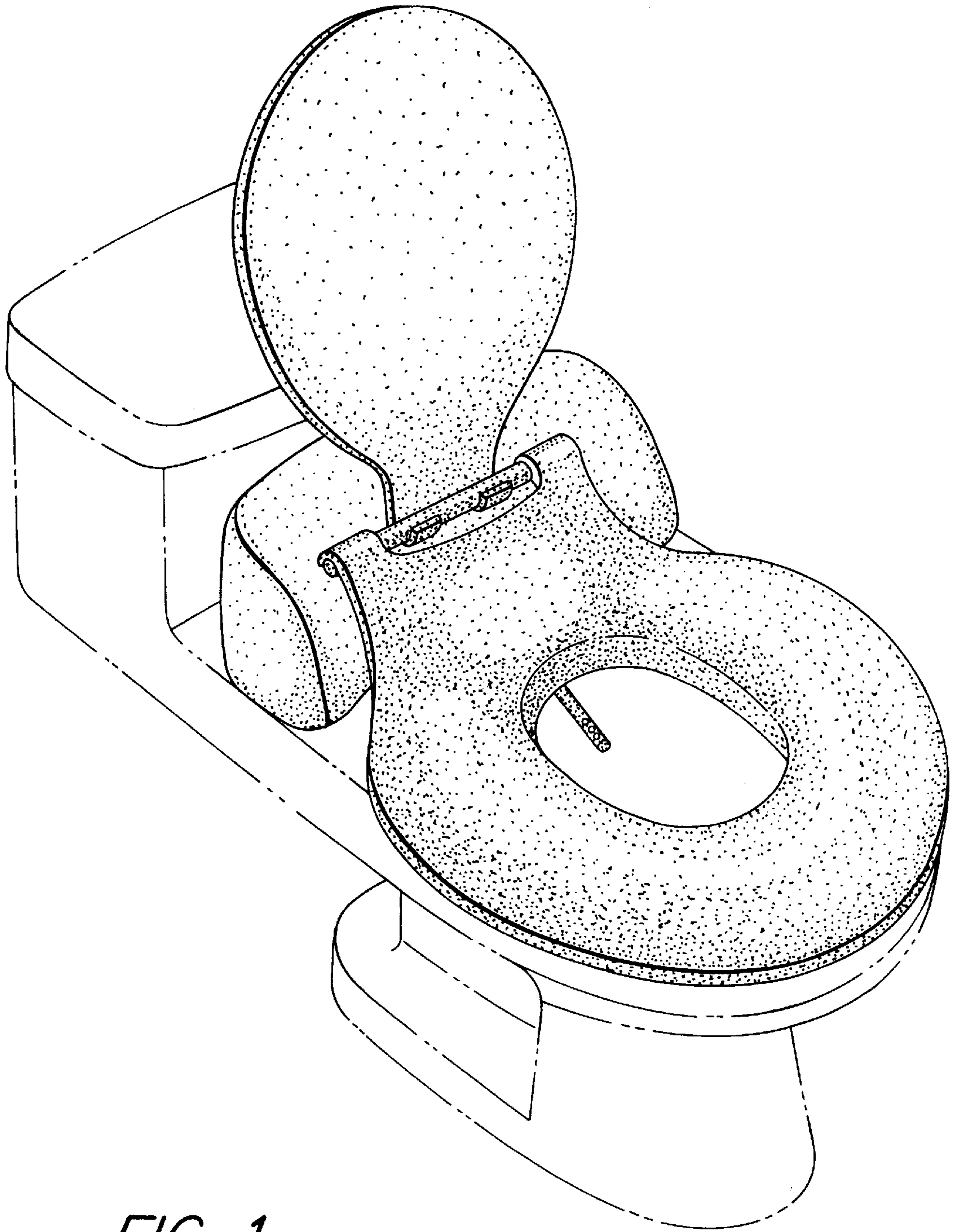


FIG. 1

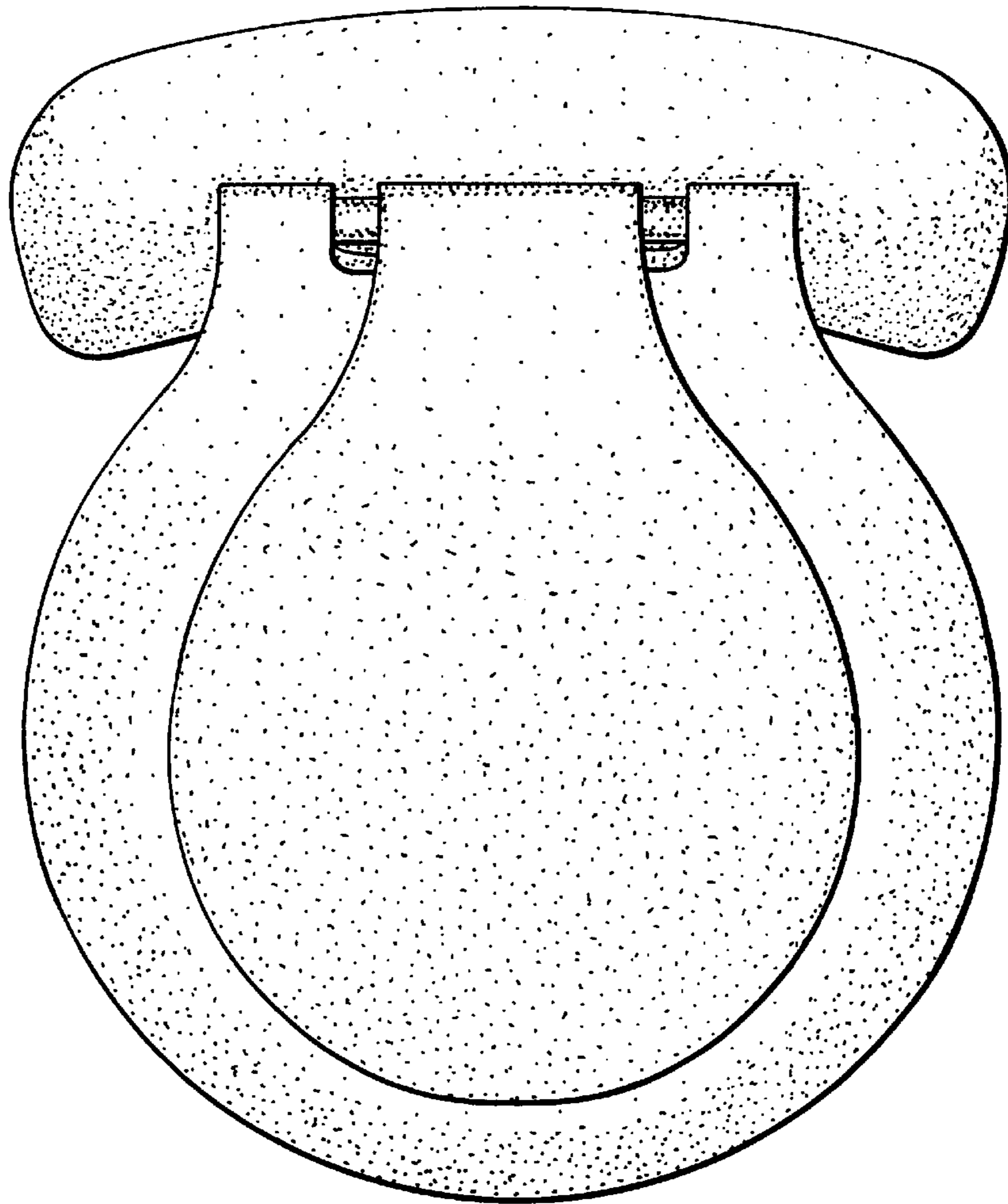


FIG. 2

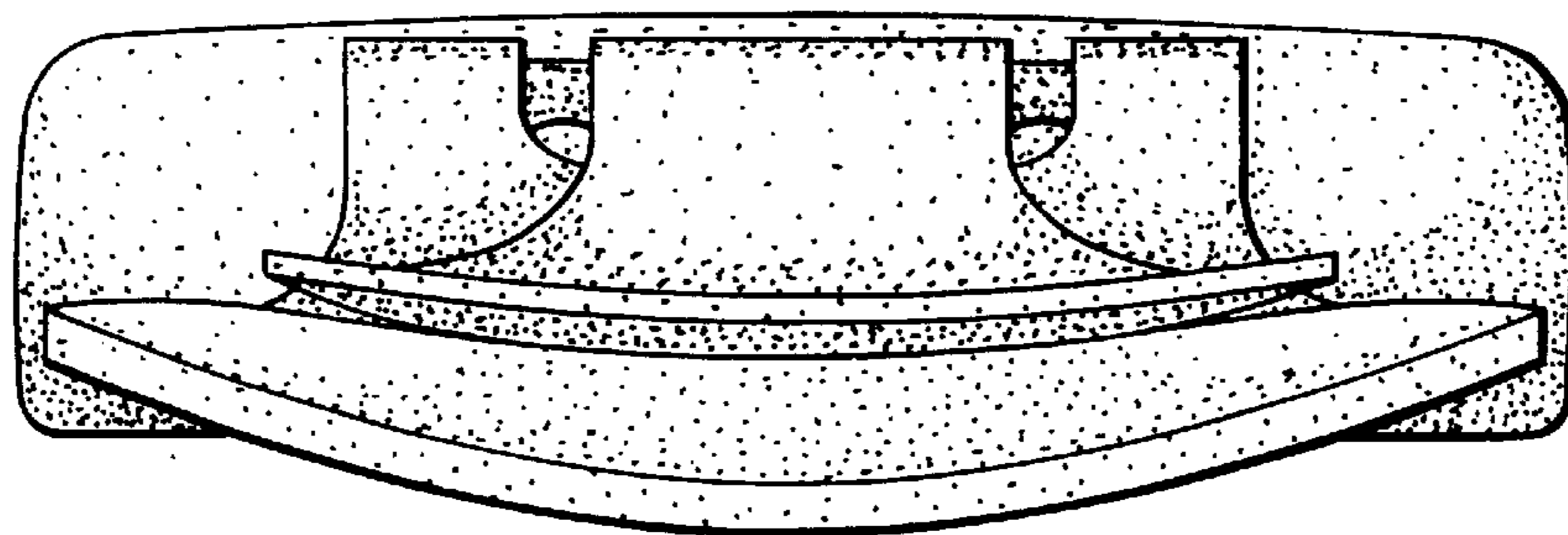


FIG. 4

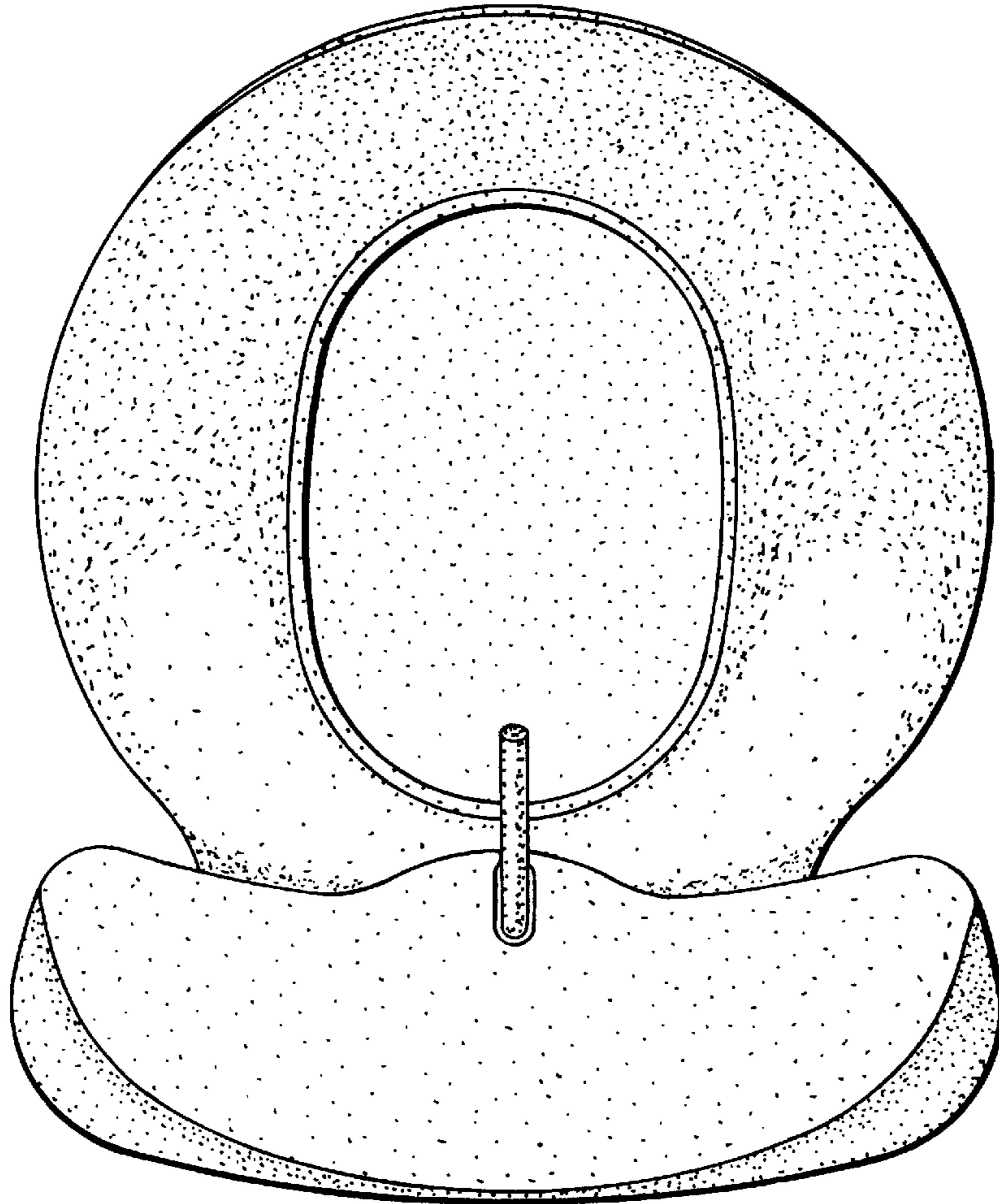


FIG. 3

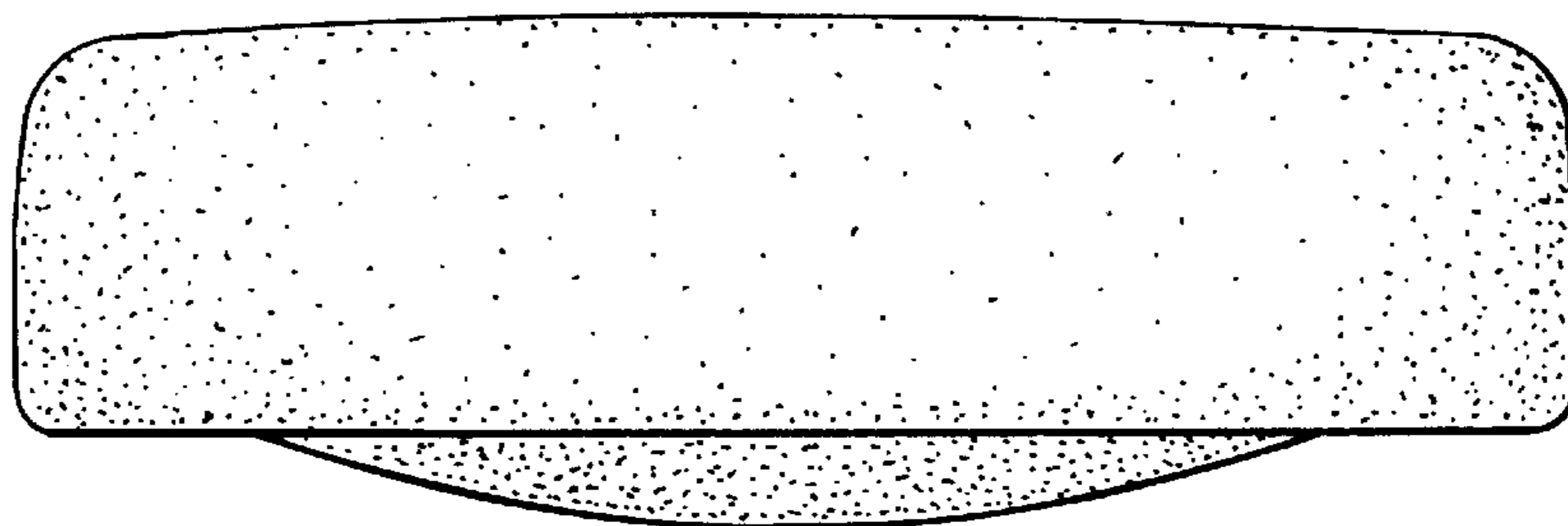


FIG. 5

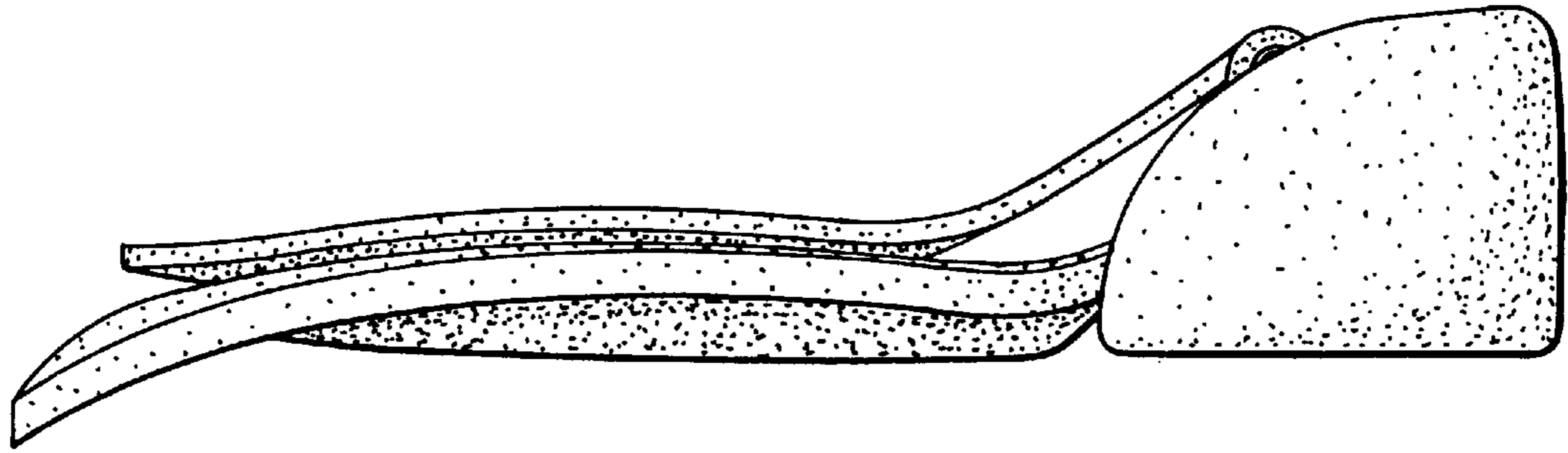


FIG. 6

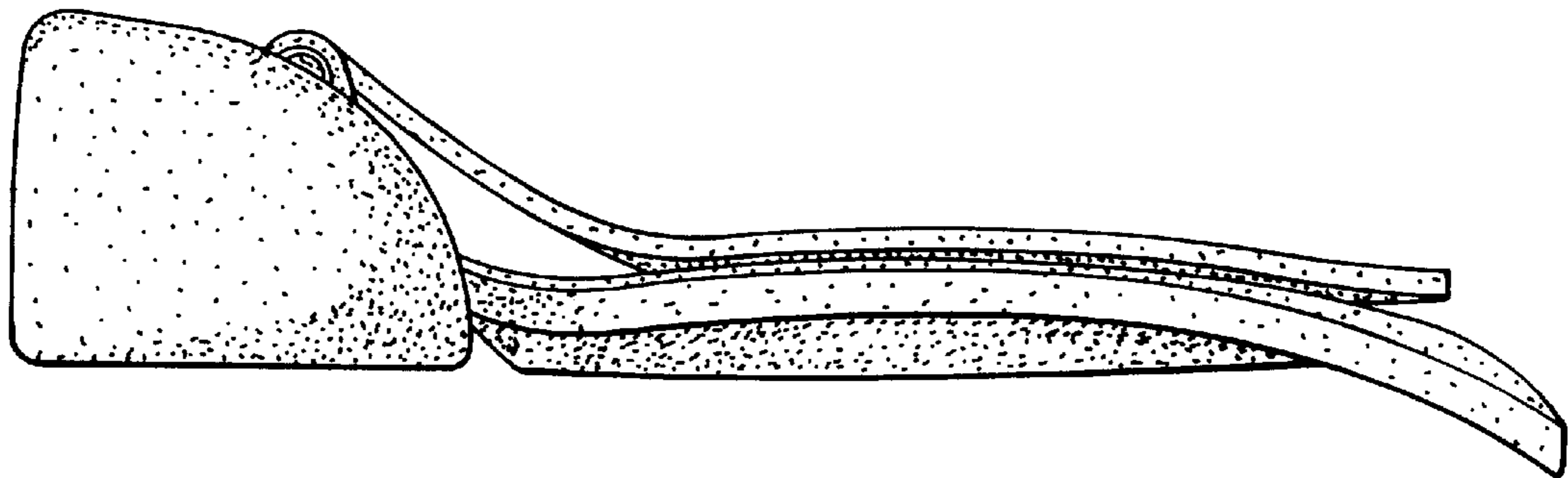


FIG. 7

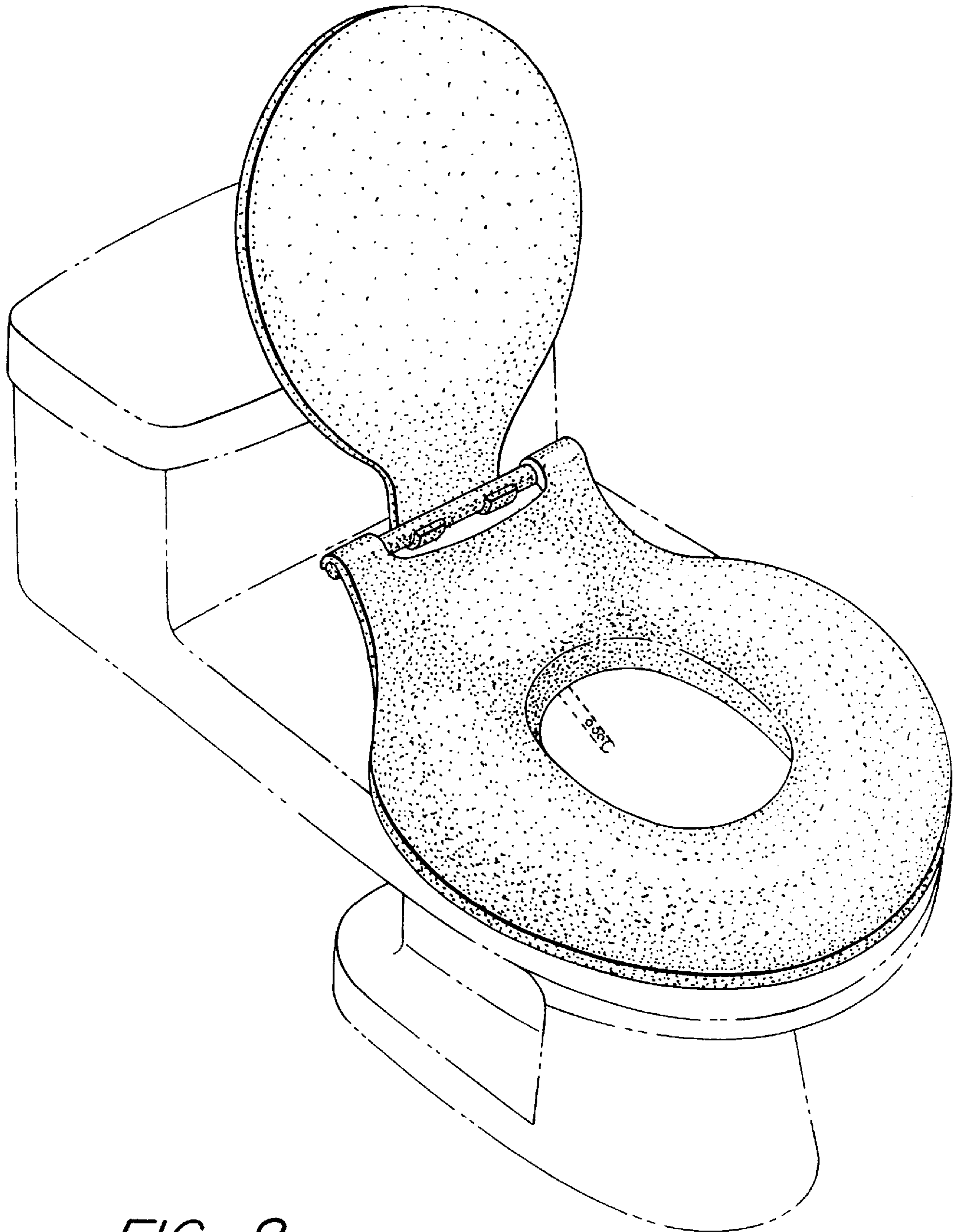


FIG. 8

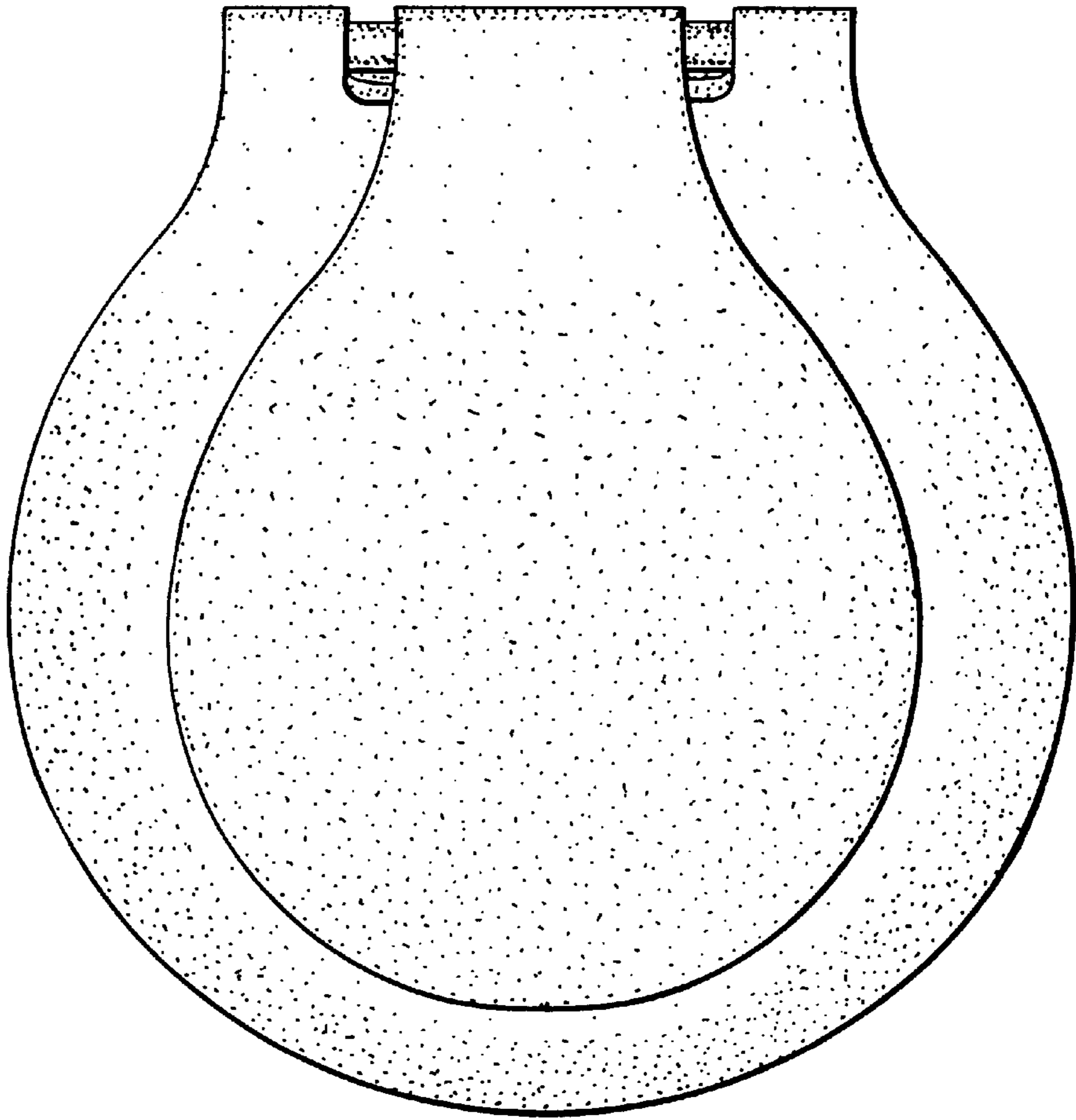


FIG. 9

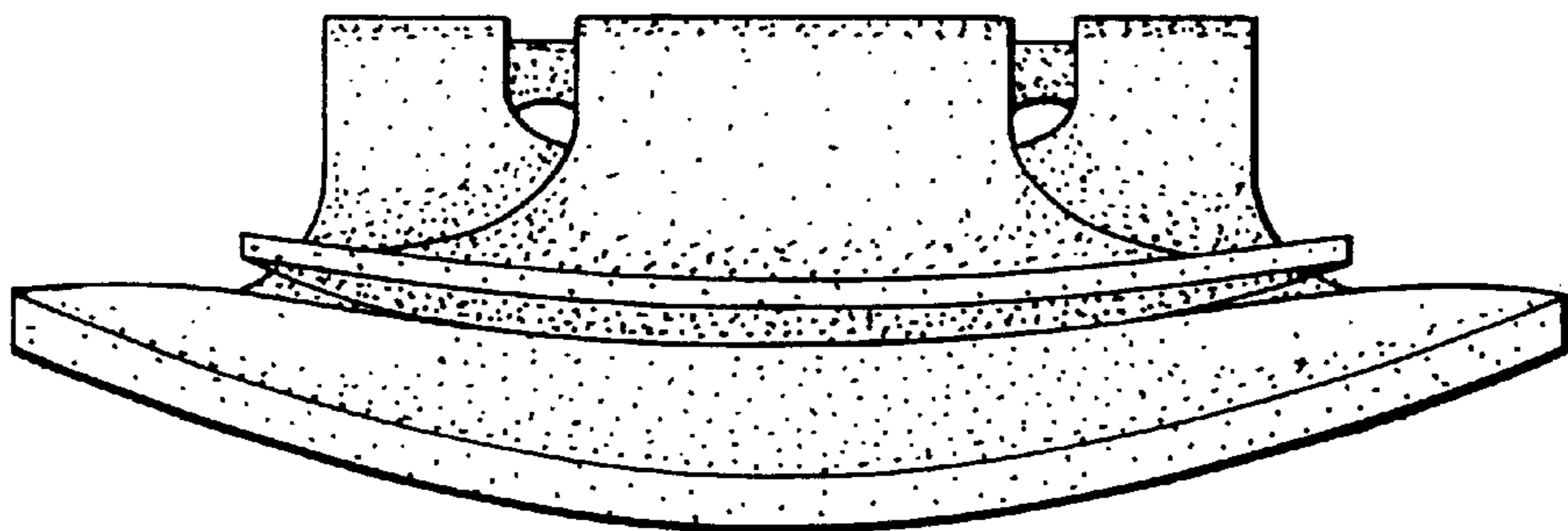


FIG. 11

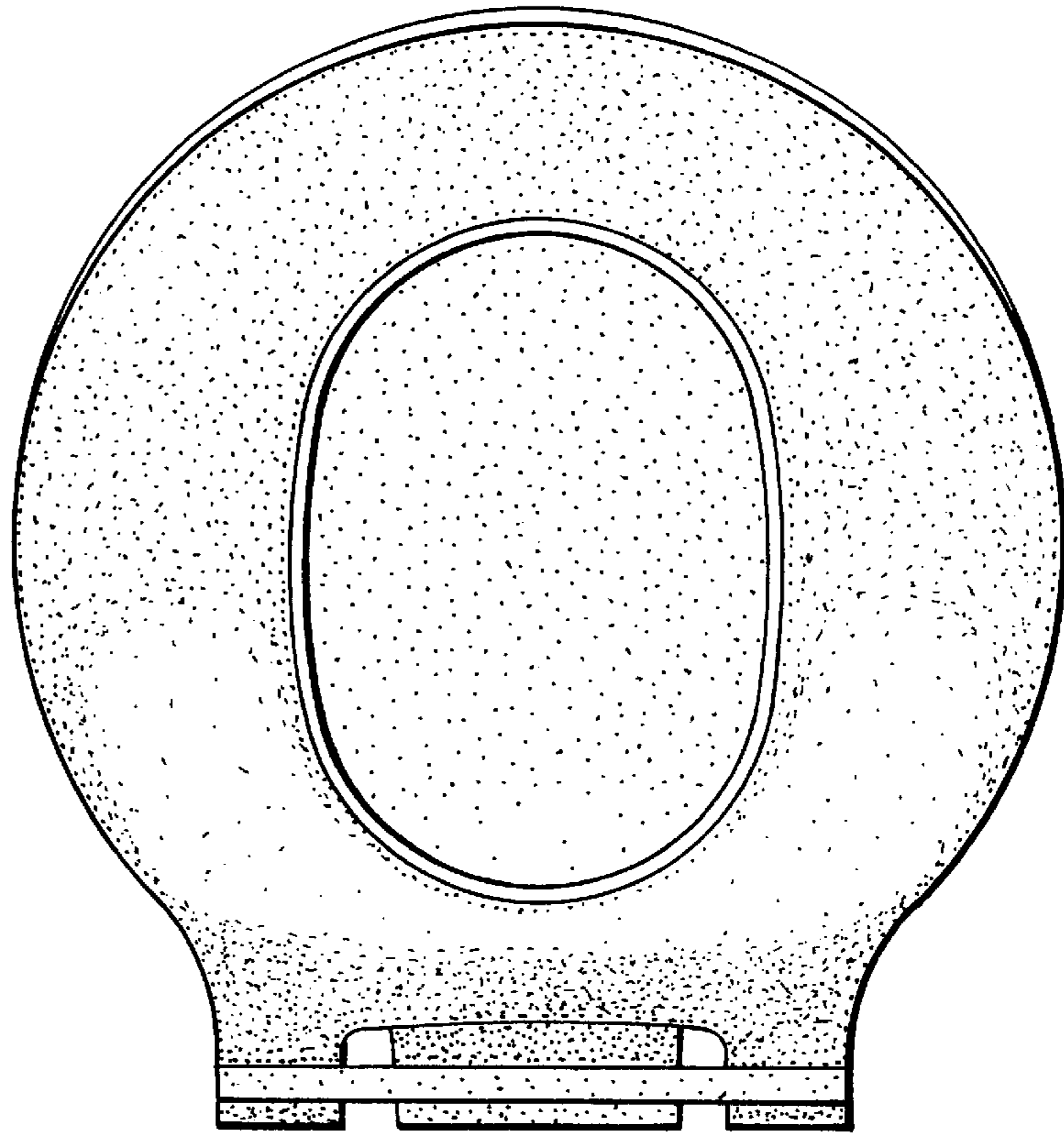


FIG. 10

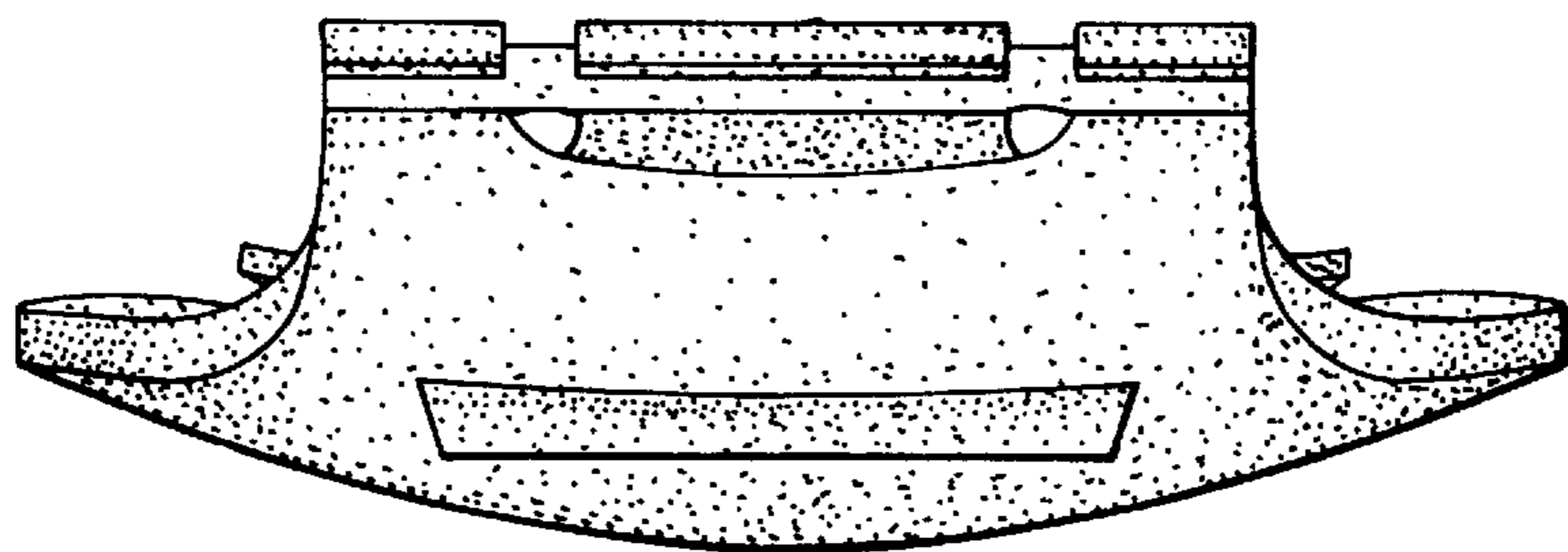


FIG. 12

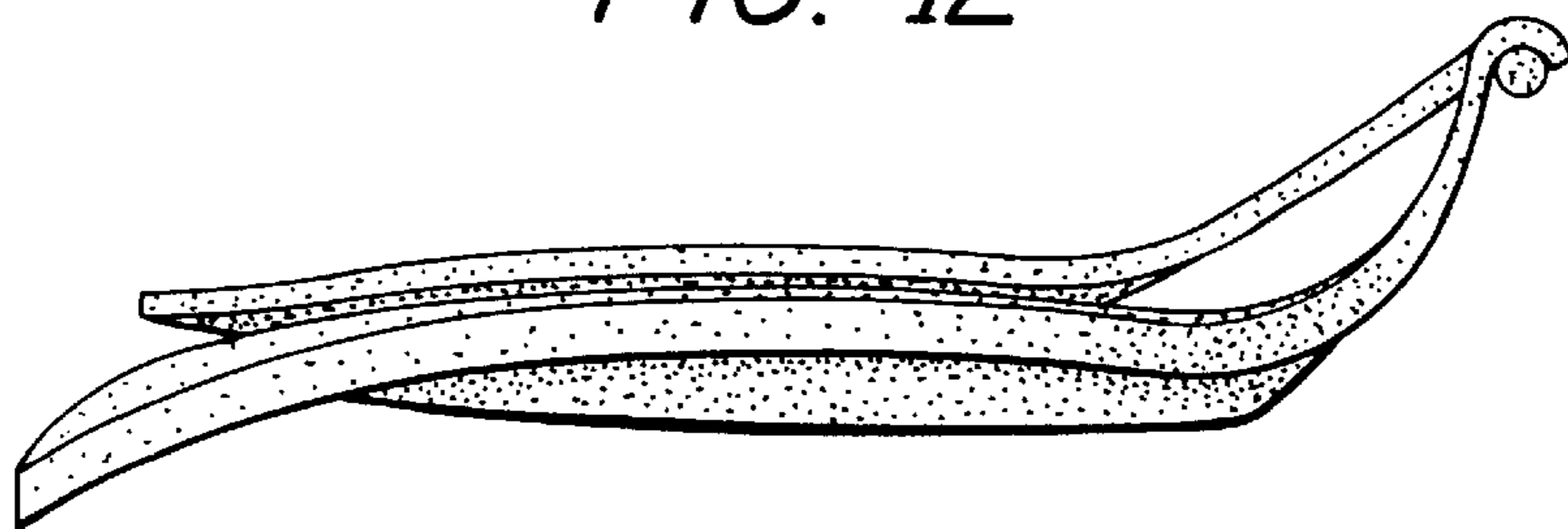


FIG. 13

UNITED STATES PATENT AND TRADEMARK OFFICE
CERTIFICATE OF CORRECTION

PATENT NO. : Des. 413,658
DATED : September 7, 1999
INVENTOR(S) : Ayse BIRSEL et al.

It is certified that error appears in the above-identified patent and that said Letters Patent is hereby corrected as shown below:

On the title page, in item [73] Assignee, "Fukuoka-ken" should read --Kitakyushu--.

On the title page, in the Description, at line 11, delete "is a top plan" at the second occurrence.

Signed and Sealed this
Twenty-second Day of May, 2001

Attest:



NICHOLAS P. GODICI

Attesting Officer

Acting Director of the United States Patent and Trademark Office