



US00D413657S

United States Patent [19] Lidgett

[11] Patent Number: **Des. 413,657**

[45] Date of Patent: **** Sep. 7, 1999**

[54] **HOSE** 5,706,865 1/1998 Douchet 138/125

[75] Inventor: **Jeremy Jay Lidgett**, Norfolk, Nebr.

[73] Assignee: **The Goodyear Tire & Rubber Company**, Akron, Ohio

[**] Term: **14 Years**

[21] Appl. No.: **29/095,925**

[22] Filed: **Nov. 2, 1998**

[51] **LOC (6) Cl.** **23-01**

[52] **U.S. Cl.** **D23/266**

[58] **Field of Search** D23/266; 138/118,
138/121, 122, 123, 125, 126, 173, 177,
178

OTHER PUBLICATIONS

Anchor Catalog No. 404, p. 12, "Style SW Synthetic Tube and Cover", Jul. 1965.

The Gutta Percha and Rubber Mfg. Co. Catalog No. 75, p. 24, found within the General Catalog of Mechanical Rubber Goods, Belting, Packing, Hose, Etc., Jun. 1912.

Primary Examiner—Alan P. Douglas
Assistant Examiner—Reid Hecker
Attorney, Agent, or Firm—Nancy T Krawczyk

[57] CLAIM

The ornamental designs for a hose, as shown and described.

DESCRIPTION

FIG. 1 is a front perspective view of a hose showing my new design, the opposite side perspective view being identical thereto;

FIG. 2 is a plan view thereof;

FIG. 3 is an end view thereof, looking in the direction of the line 3—3 in FIG. 2, it being understood that the opposite end is a mirror image of that shown;

FIG. 4 is a front perspective view of a hose showing a second embodiment of my new design, the opposite side perspective view being identical thereto;

FIG. 5 is a plan view thereof; and,

FIG. 6 is an end view thereof, looking in the direction of the line 6—6 in FIG. 5, it being understood that the opposite end is a mirror image of that shown.

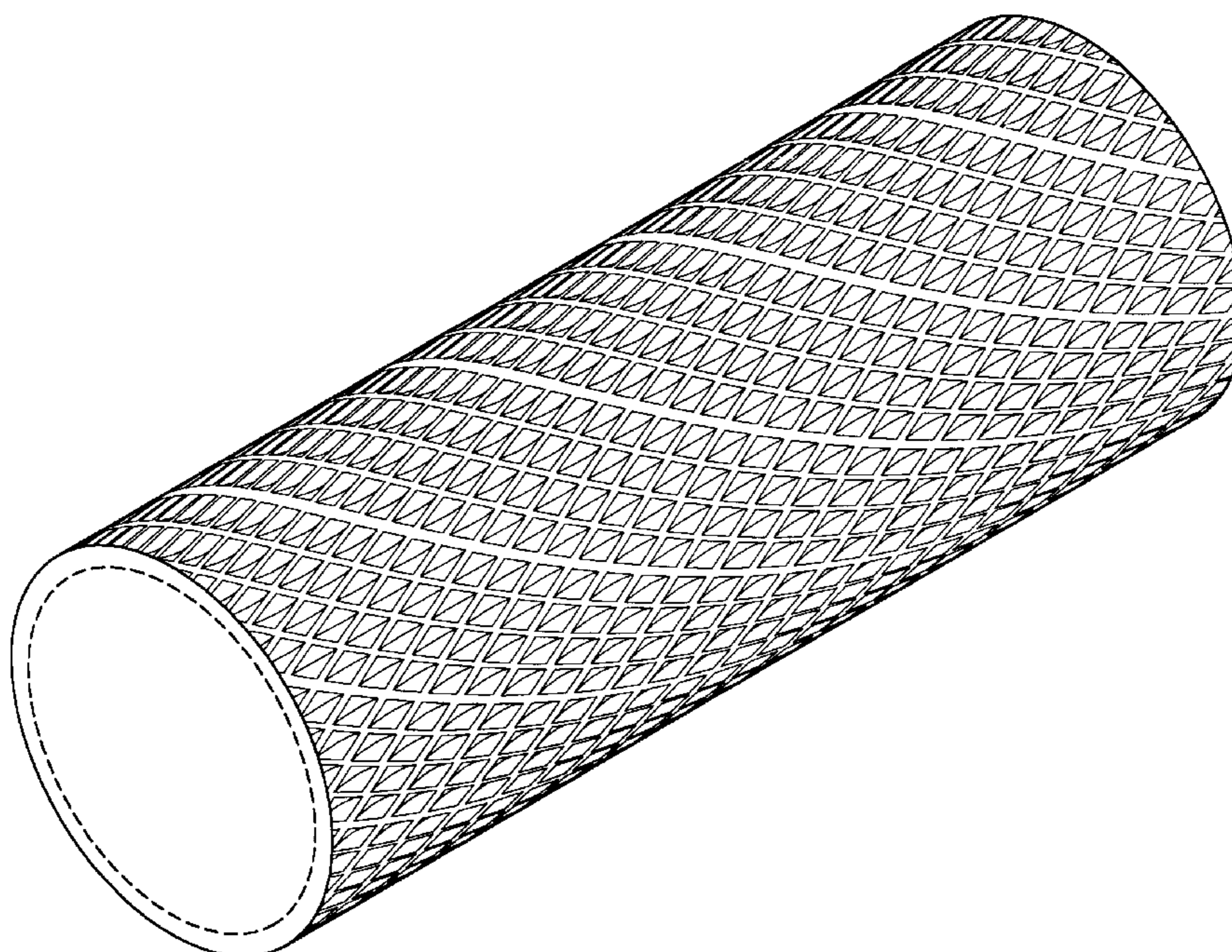
The broken line disclosure of the internal hose diameter is for illustrative purposes only and forms no part of the claimed design.

[56] References Cited

U.S. PATENT DOCUMENTS

4,150	8/1845	Day	138/126
D. 21,561	5/1892	Wilkinson	D23/266
D. 46,944	2/1915	Coughlin .	
D. 52,568	10/1918	Hallgreen .	
D. 52,570	10/1918	Hallgreen	D23/266
290,659	12/1883	Austin	138/168
D. 296,355	6/1988	Kanao	D23/266
657,605	9/1900	Lacy .	
1,749,207	3/1930	Blair .	
1,919,356	7/1933	Bedur	285/114
2,652,093	9/1953	Burton	156/86
2,819,488	1/1958	Gimbel	452/24
3,399,092	8/1968	Adams et al.	156/74
4,293,599	10/1981	Hori et al.	427/274
4,347,090	8/1982	Anderson et al.	156/149
4,402,359	9/1983	Carnavos et al.	165/70
5,499,661	3/1996	Odru et al.	138/124

1 Claim, 2 Drawing Sheets



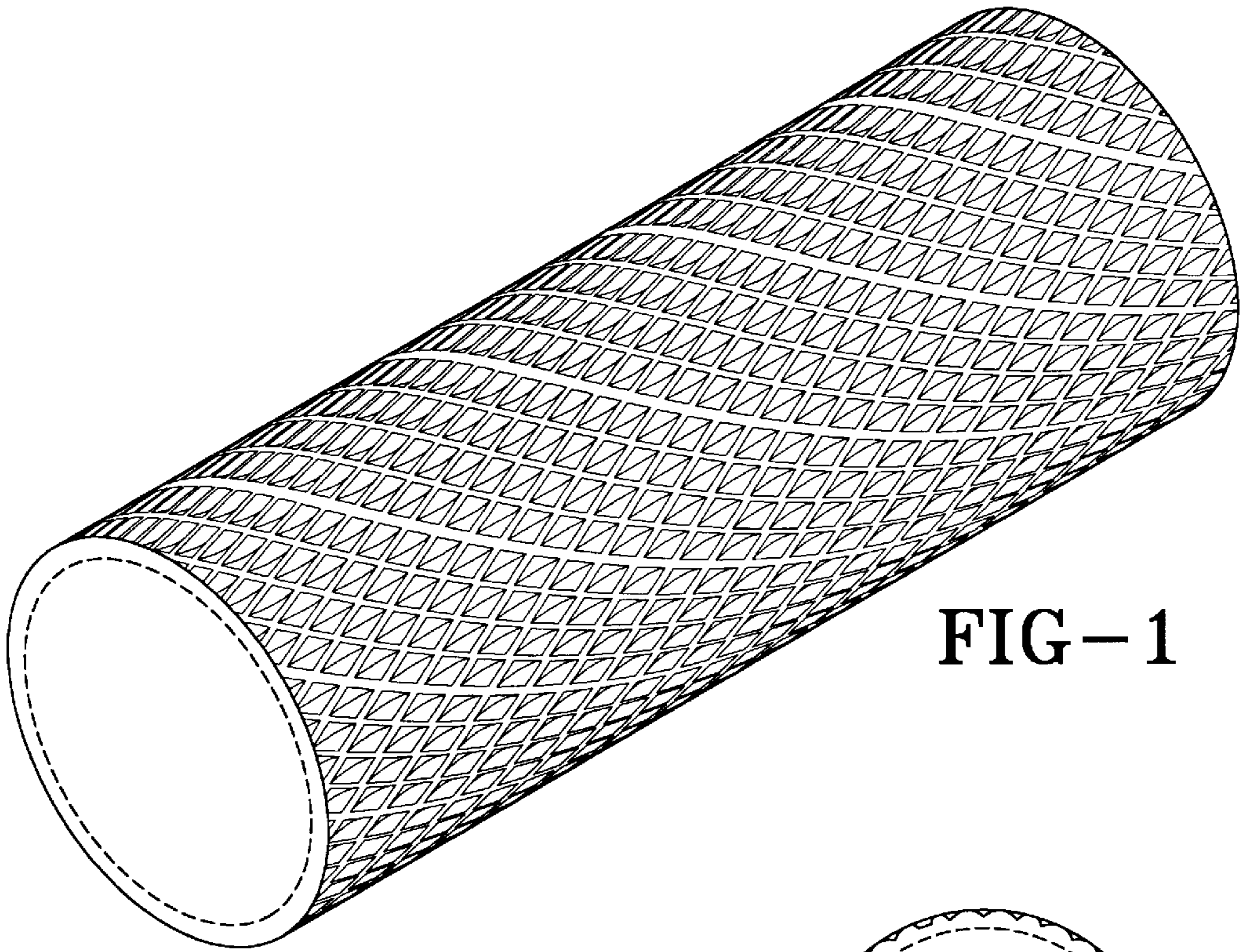


FIG-1

FIG-3

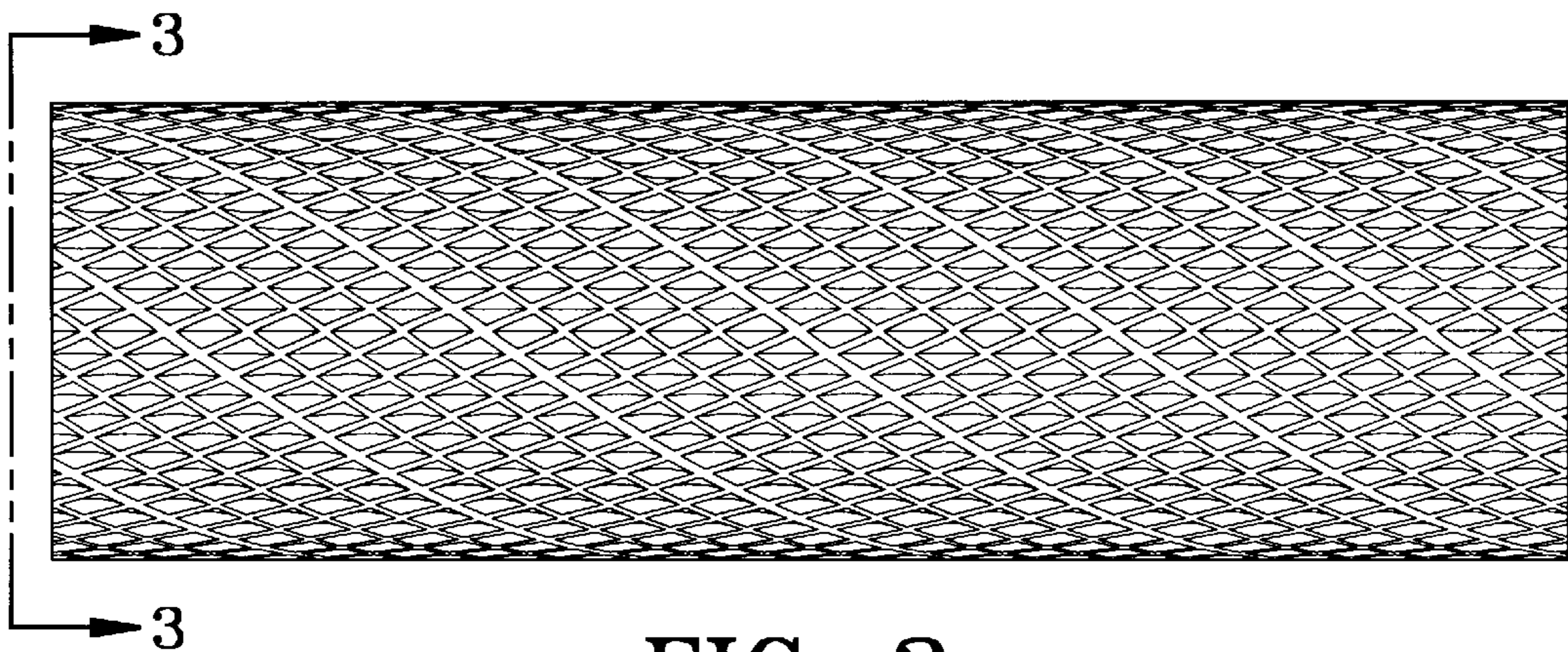
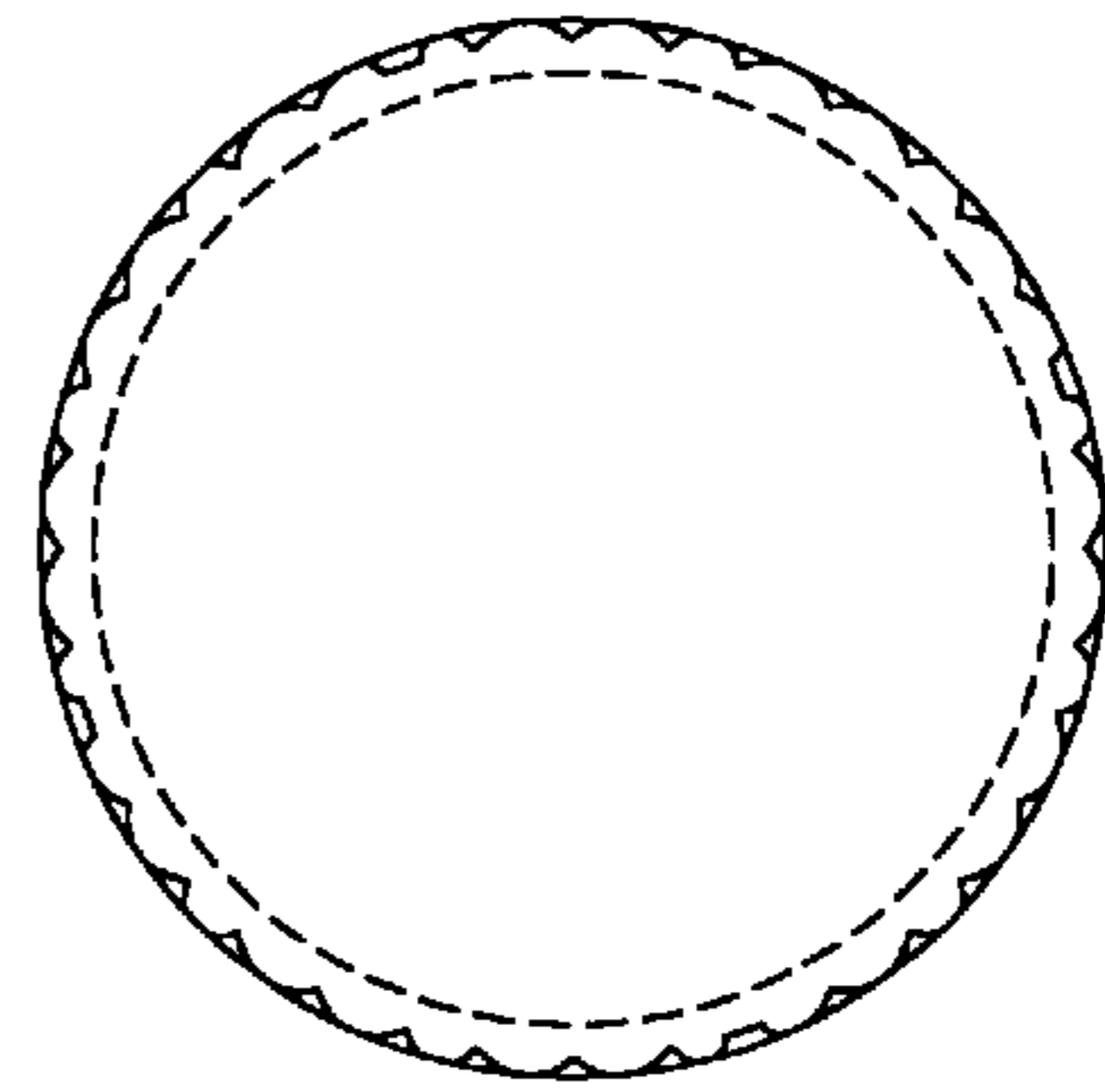


FIG-2

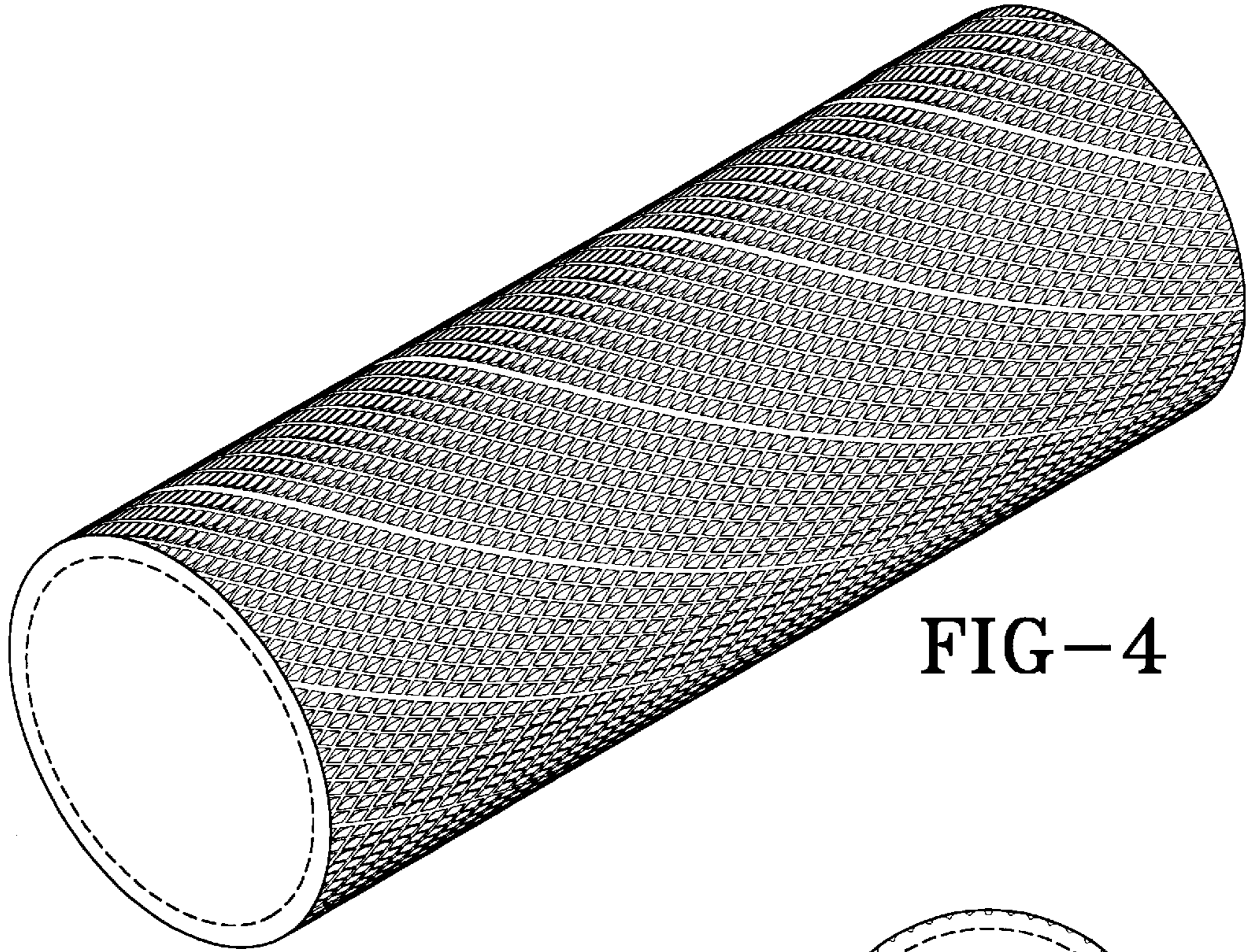


FIG-4

FIG-6

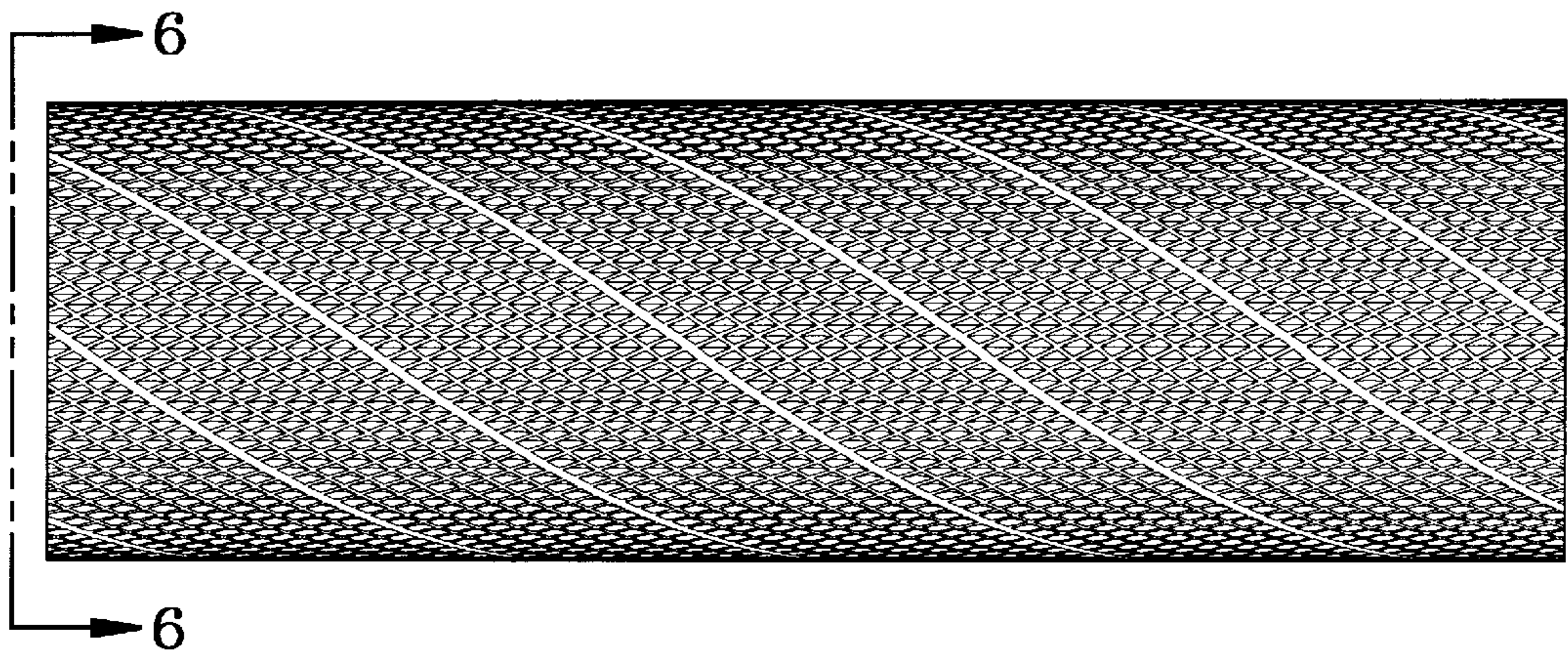
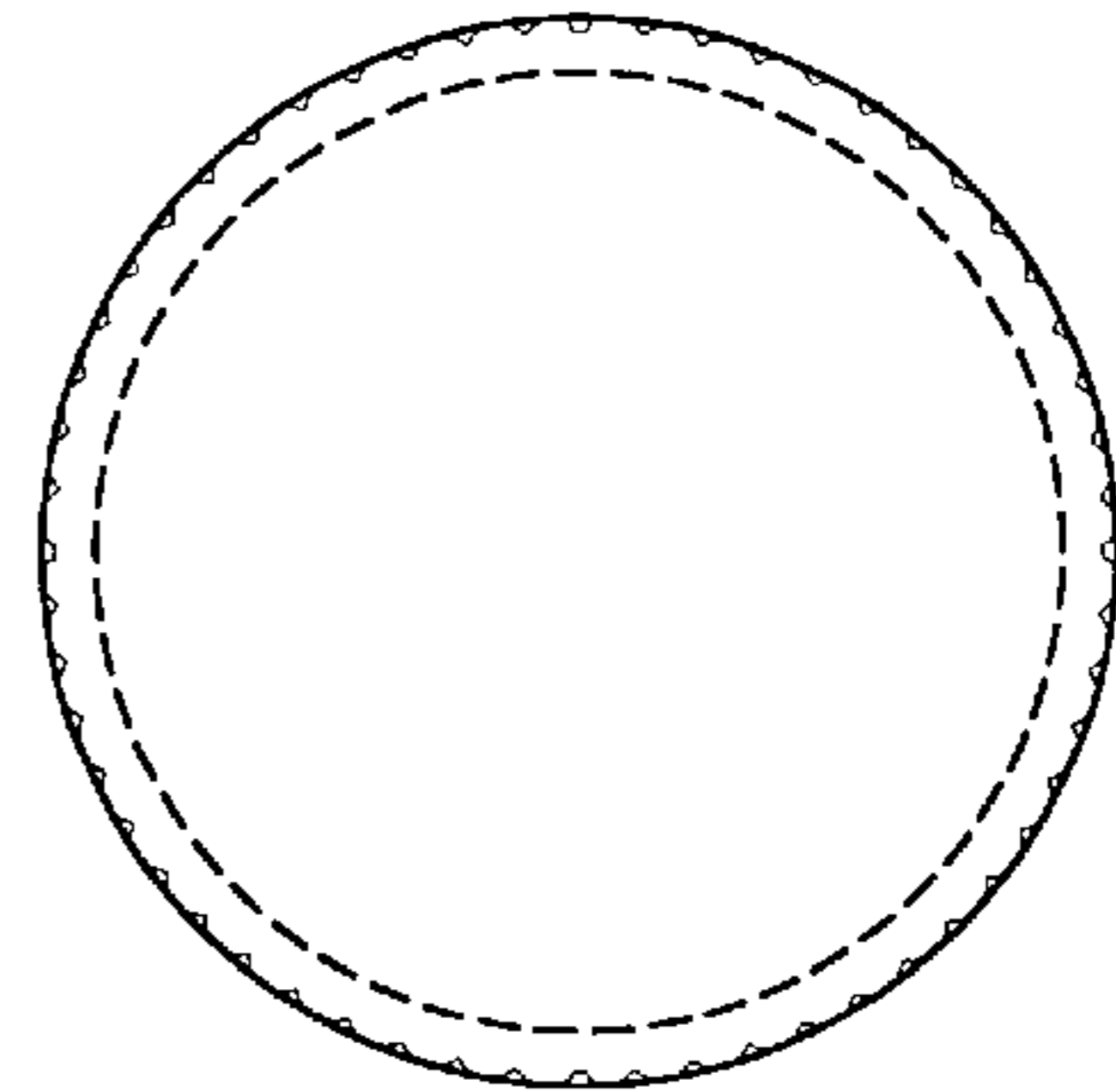


FIG-5